



US00D701814S

(12) **United States Design Patent**
Merchant et al.

(10) **Patent No.:** **US D701,814 S**
(45) **Date of Patent:** **** Apr. 1, 2014**

(54) **TANK**

(75) Inventors: **Jack A. Merchant**, Woodruff, SC (US);
Stephan D. Roozenboom, Washington,
IL (US)

(73) Assignee: **Caterpillar Inc.**, Peoria, IL (US)

(**) Term: **14 Years**

(21) Appl. No.: **29/423,431**

(22) Filed: **May 31, 2012**

(51) **LOC (10) Cl.** **12-11**

(52) **U.S. Cl.**
USPC **D12/218**

(58) **Field of Classification Search**
USPC D12/218; 280/830, 833-835; D15/1, 3,
D15/5, 28; 180/314, 69.4, 69.5, 900, 225;
220/4.14, 562-564; 123/516, 518-520
See application file for complete search history.

(56) **References Cited**

U.S. PATENT DOCUMENTS

D209,494 S	*	12/1967	Watkins	D12/218
D214,435 S	*	6/1969	Nueve	D12/218
D238,940 S	*	2/1976	Graeper	D12/218
D282,921 S	*	3/1986	Eureka et al.	D12/218
D628,672 S	*	12/2010	Kendall et al.	D23/202
D647,168 S	*	10/2011	Lerner et al.	D23/202

* cited by examiner

Primary Examiner — Susan E Krakower

Assistant Examiner — Linda Brooks

(74) *Attorney, Agent, or Firm* — Finnegan, Henderson,
Farabow, Garrett & Dunner LLP

(57) **CLAIM**

The ornamental design for a tank, as shown and described.

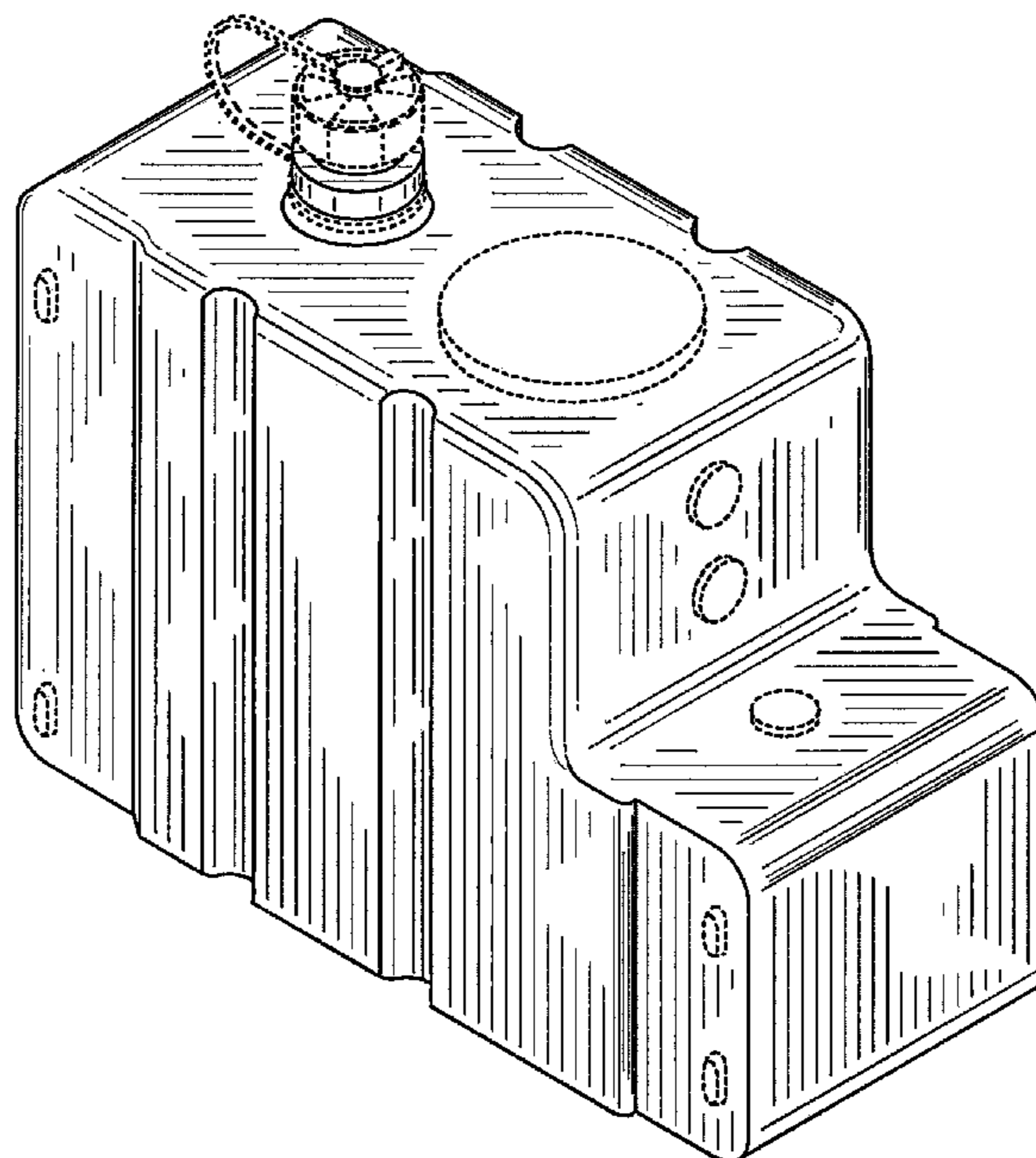
DESCRIPTION

FIG. 1 is a perspective view of a first embodiment of a tank showing our new design;
 FIG. 2 is a right end view thereof;
 FIG. 3 is a left end view thereof;
 FIG. 4 is a front view thereof;
 FIG. 5 is a rear view thereof;
 FIG. 6 is a top plan view thereof;
 FIG. 7 is a bottom view thereof;
 FIG. 8 is a perspective view of a second embodiment of a tank showing our new design;
 FIG. 9 is a right end view thereof;
 FIG. 10 is a left end view thereof;
 FIG. 11 is a front view thereof;
 FIG. 12 is a rear view thereof;
 FIG. 13 is a top plan view thereof; and,
 FIG. 14 is a bottom view thereof.

The first embodiment depicted is shaded to designate that it is opaque. In the second embodiment of the design, the body of the tank is translucent.

The broken lines depict environmental structure and the elements shown in broken lines form no part of the claimed design.

1 Claim, 14 Drawing Sheets



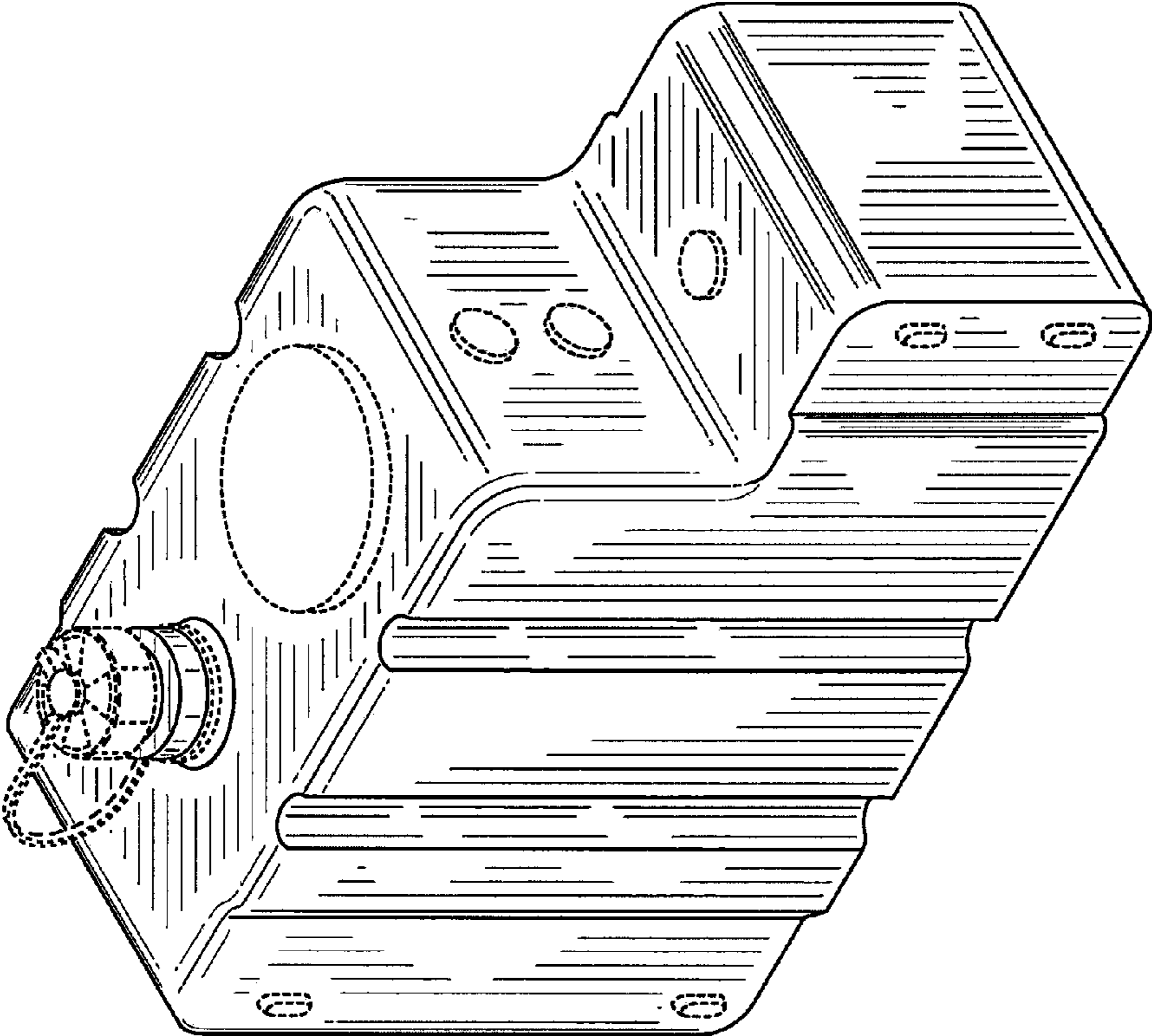


FIG. 1

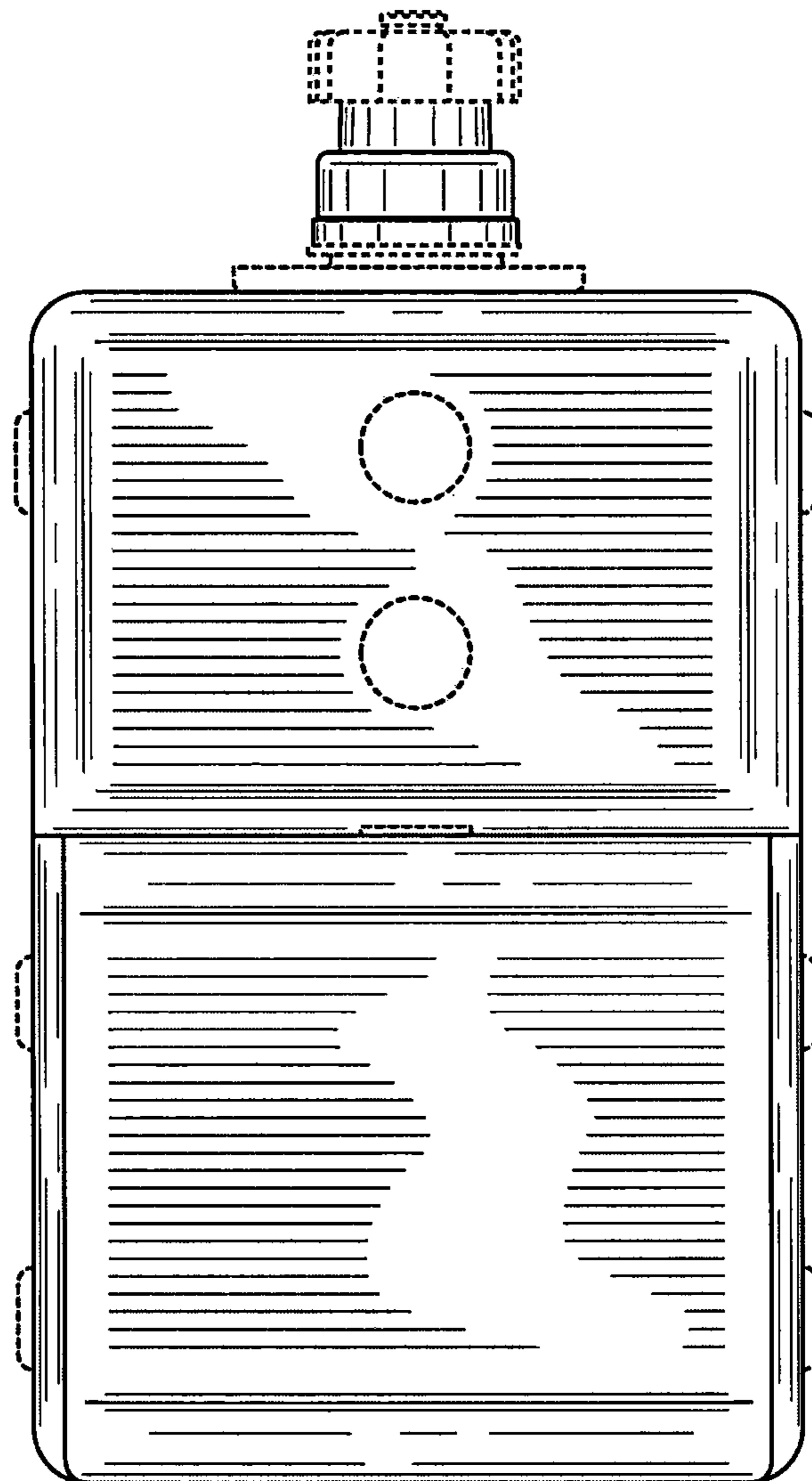


FIG. 2

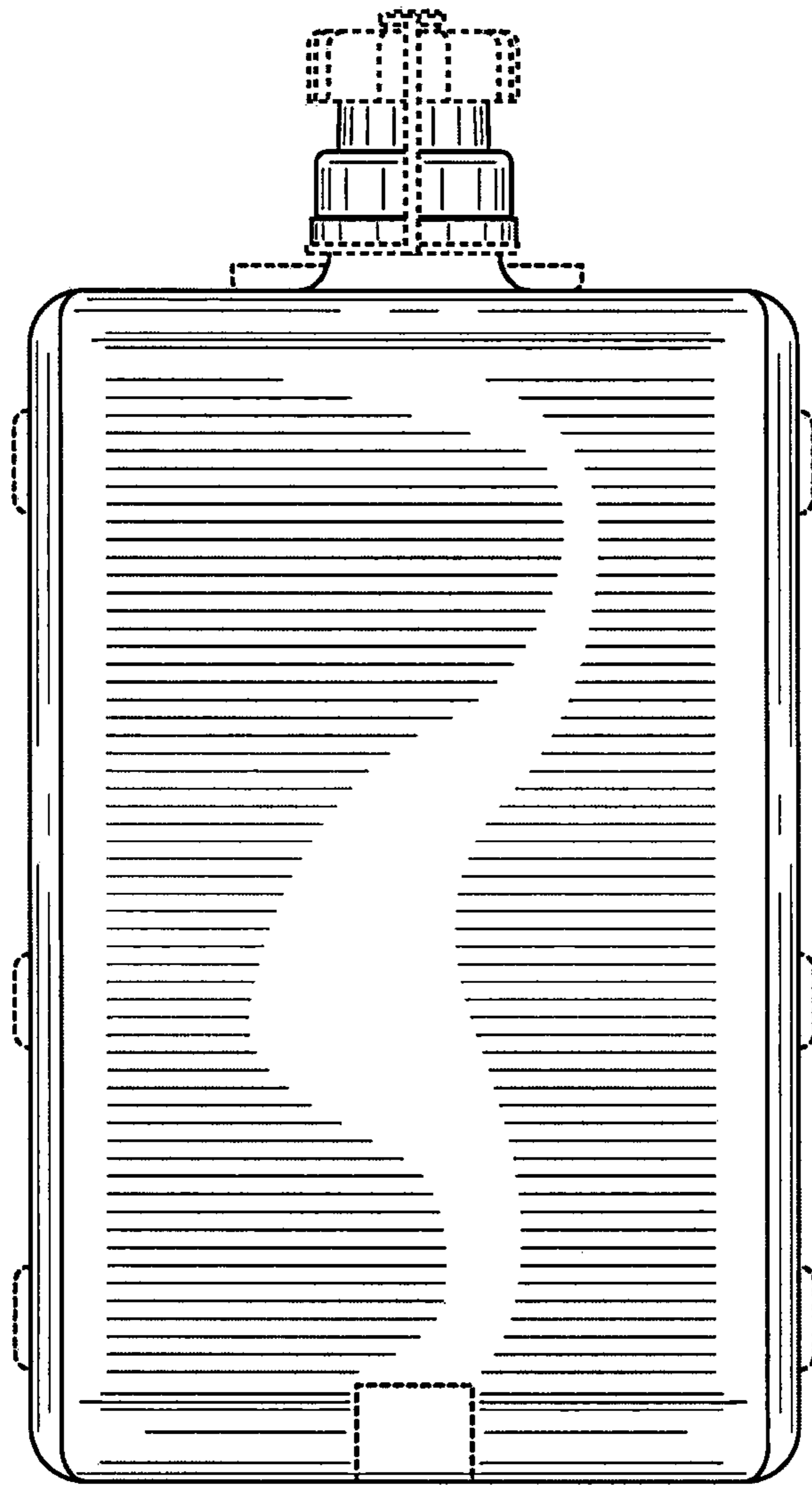


FIG. 3

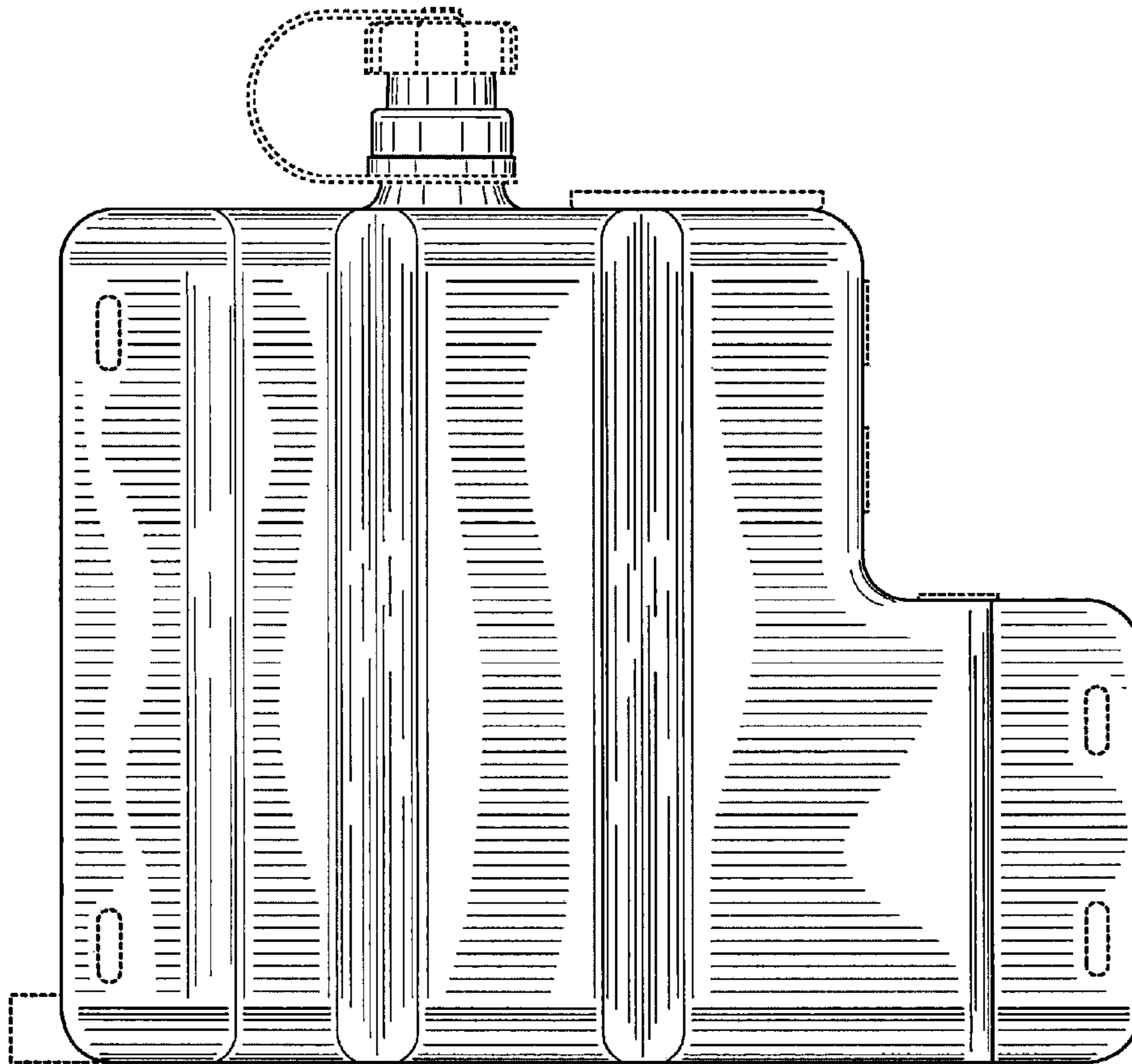


FIG. 4

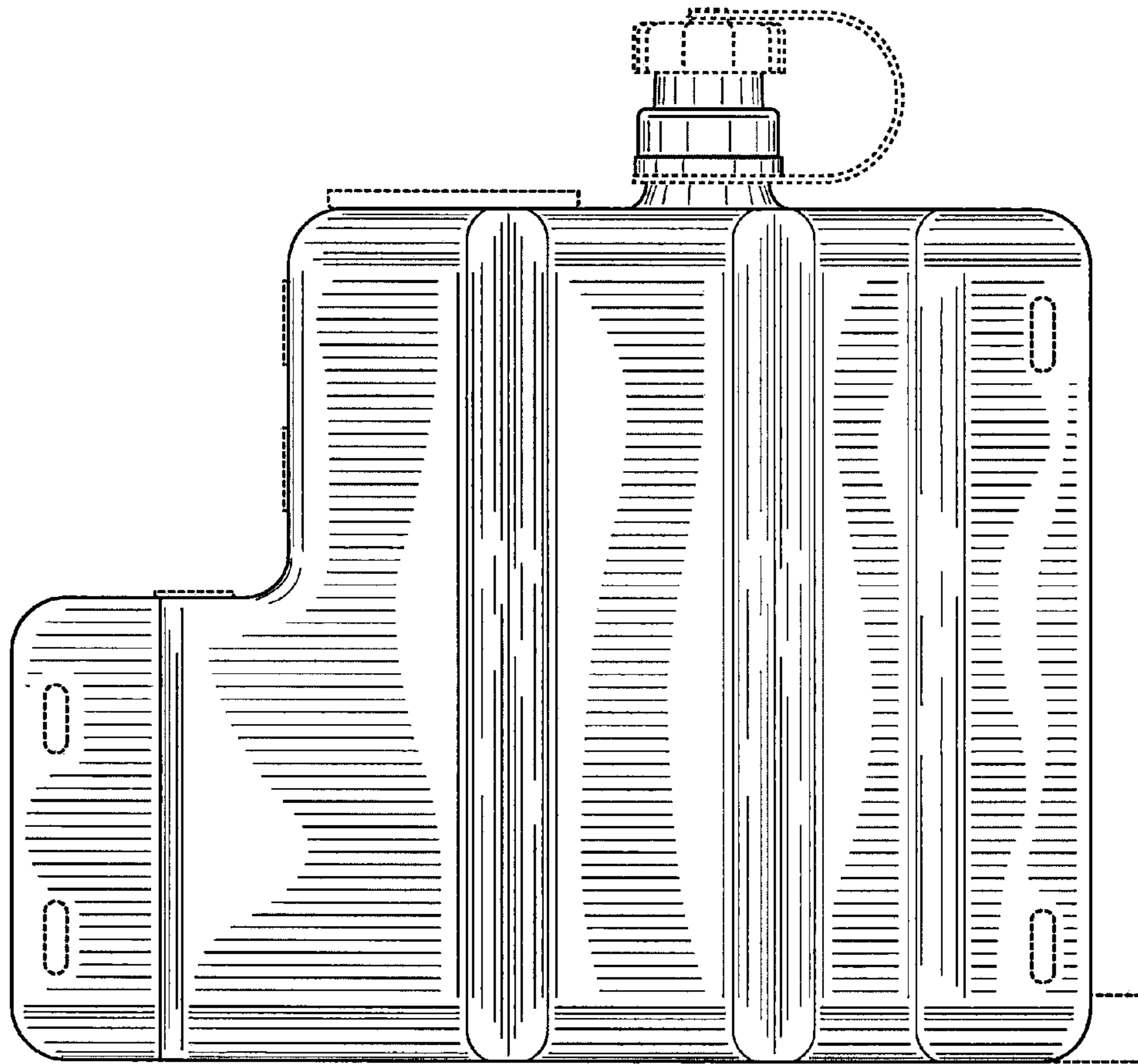


FIG. 5

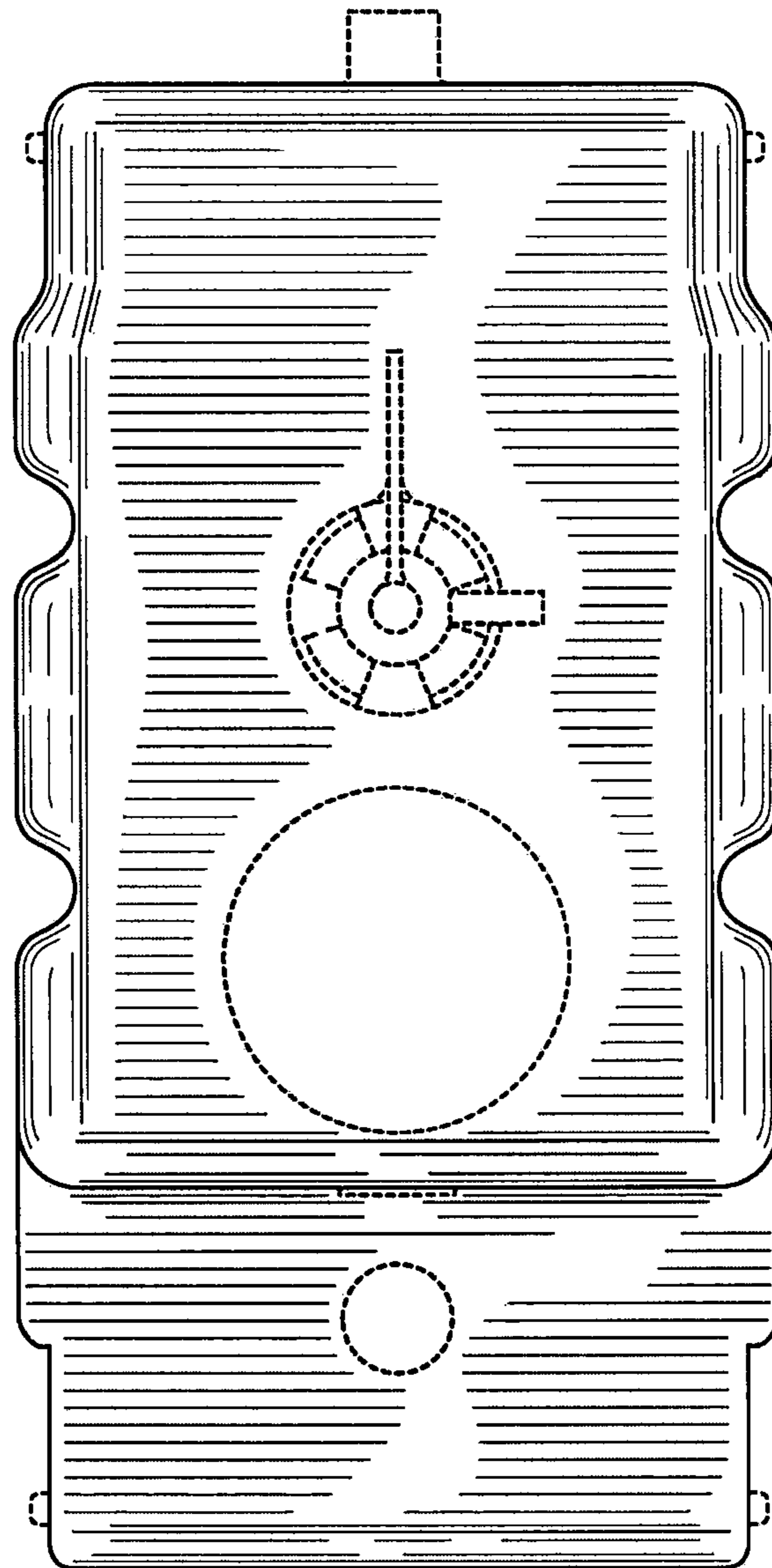


FIG. 6

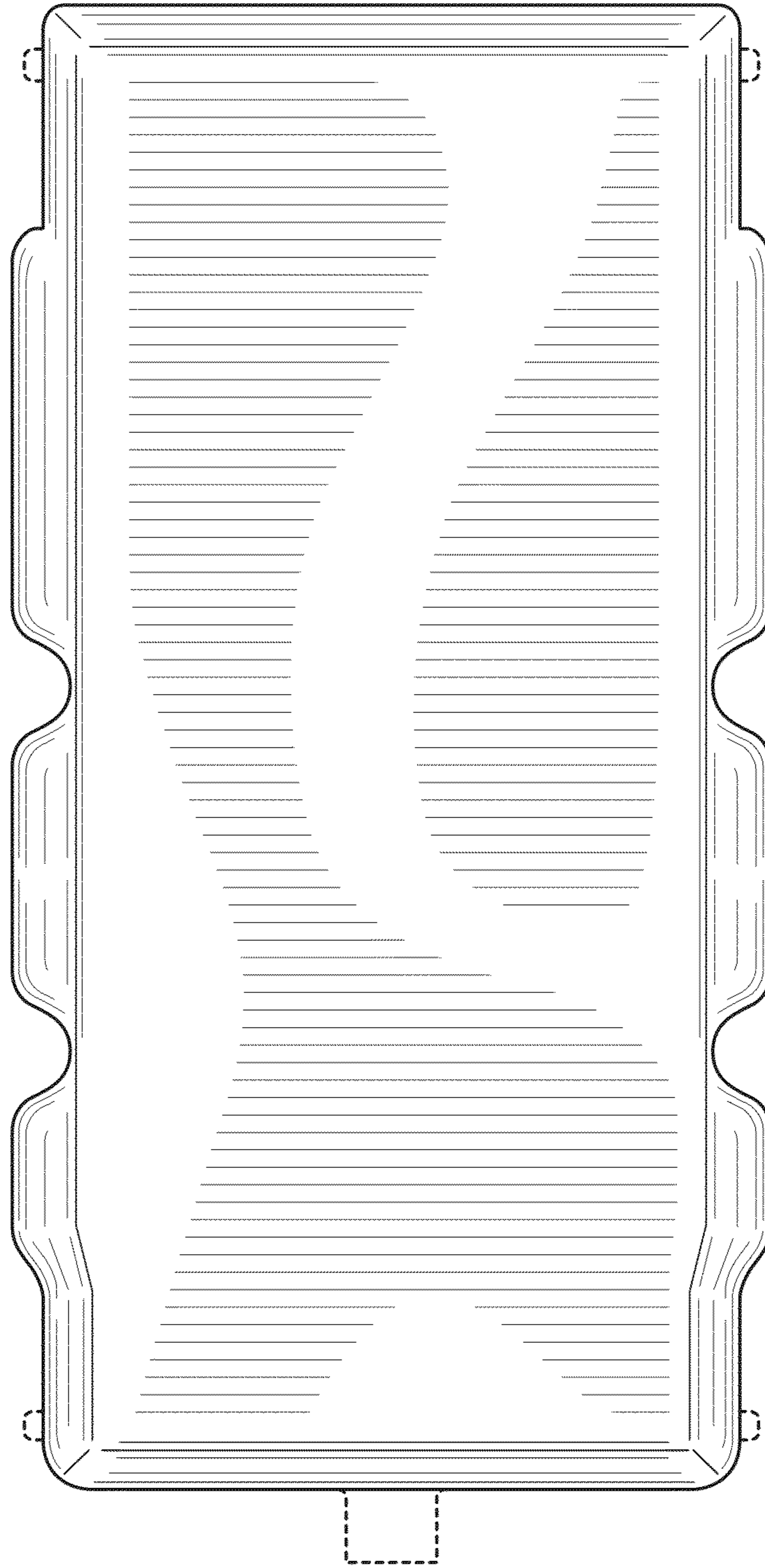


FIG. 7

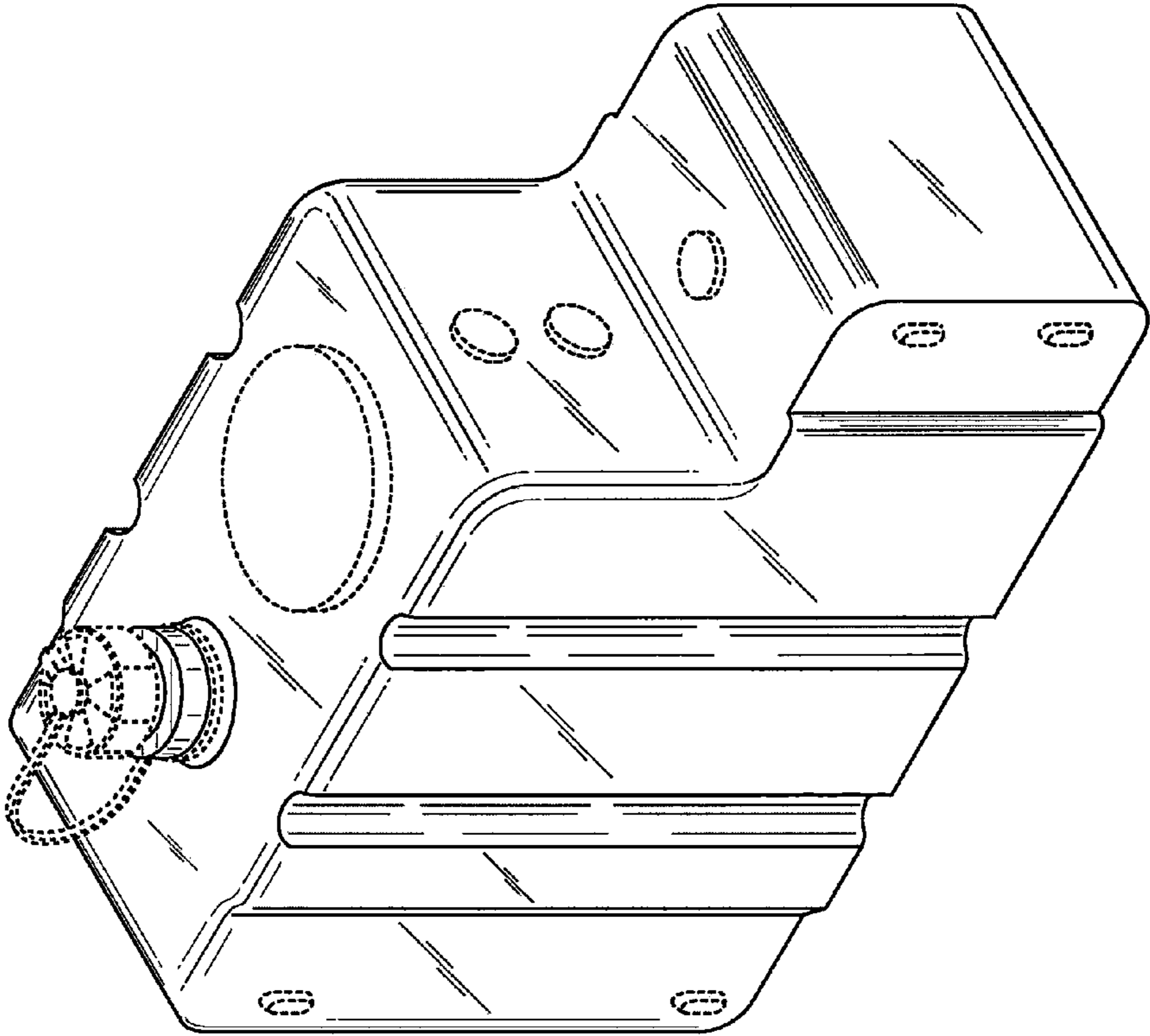


FIG. 8

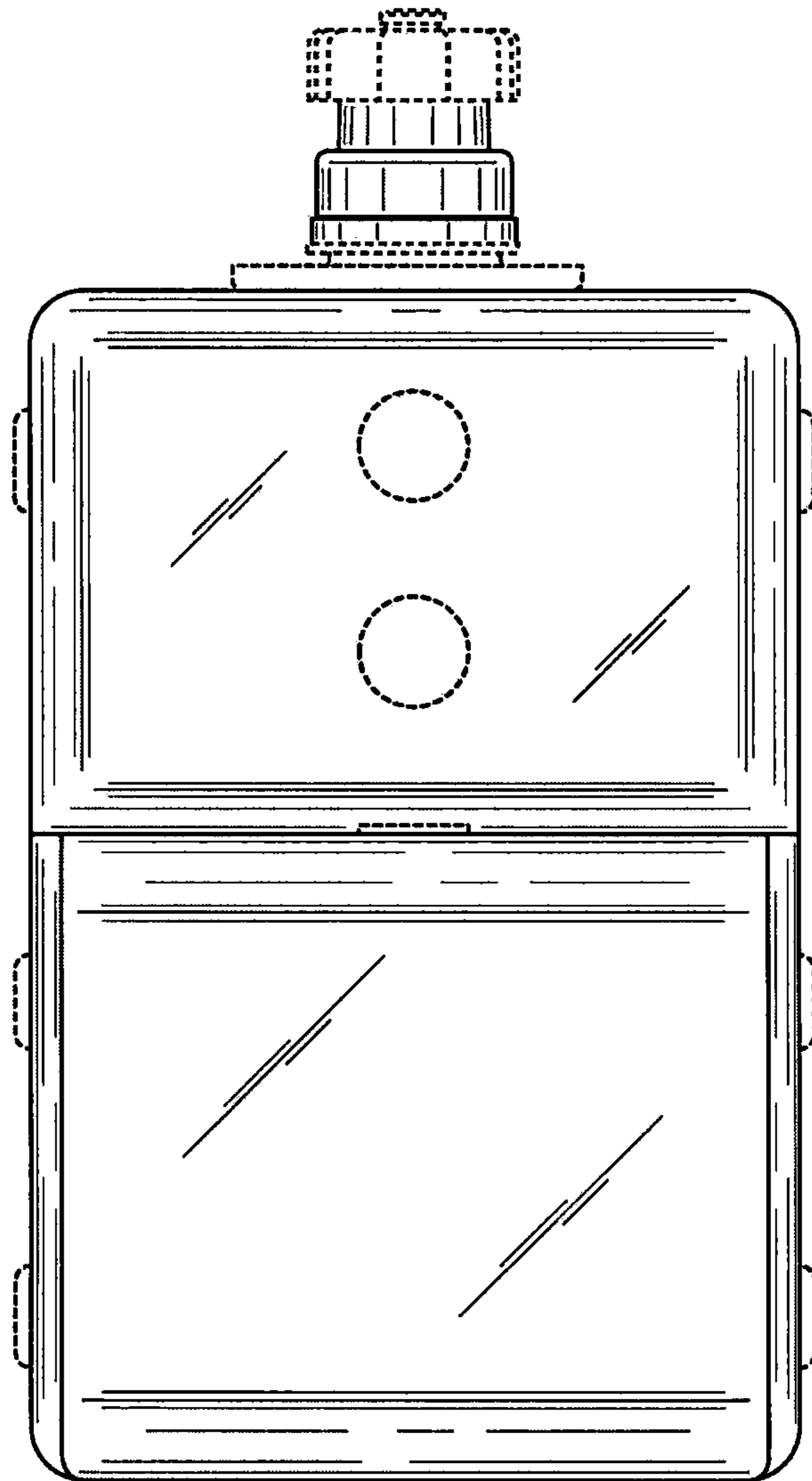


FIG. 9

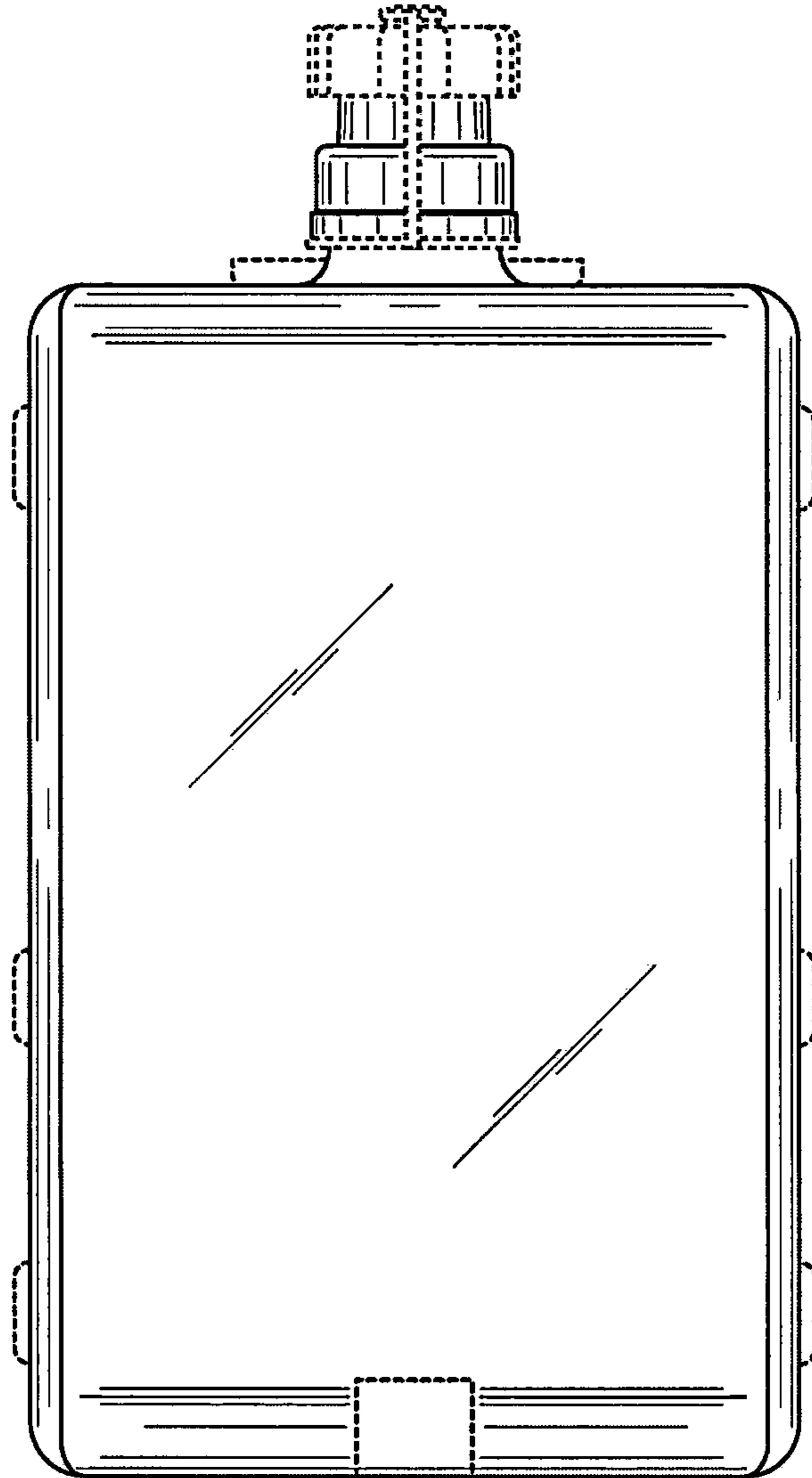


FIG. 10

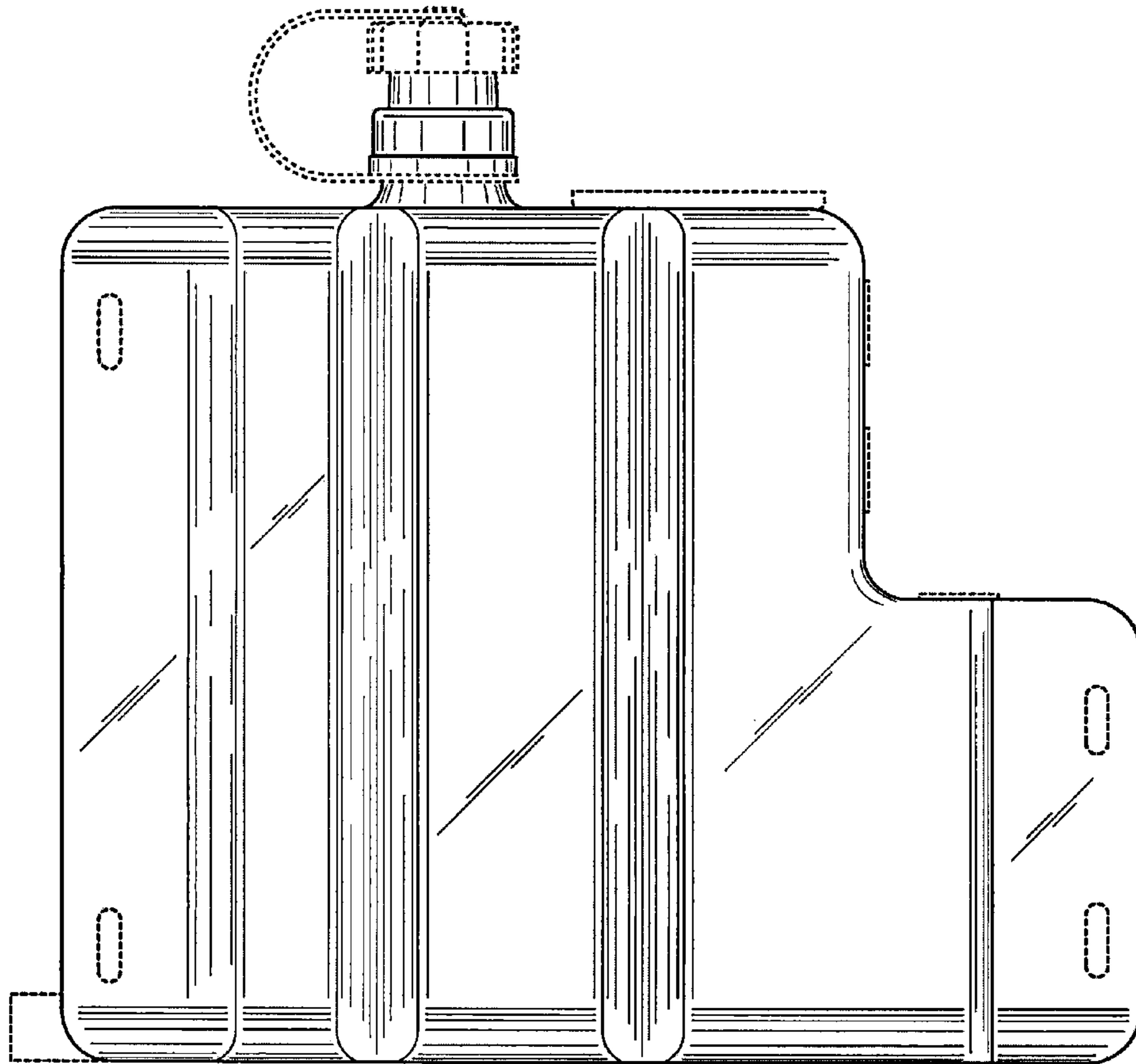


FIG. 11

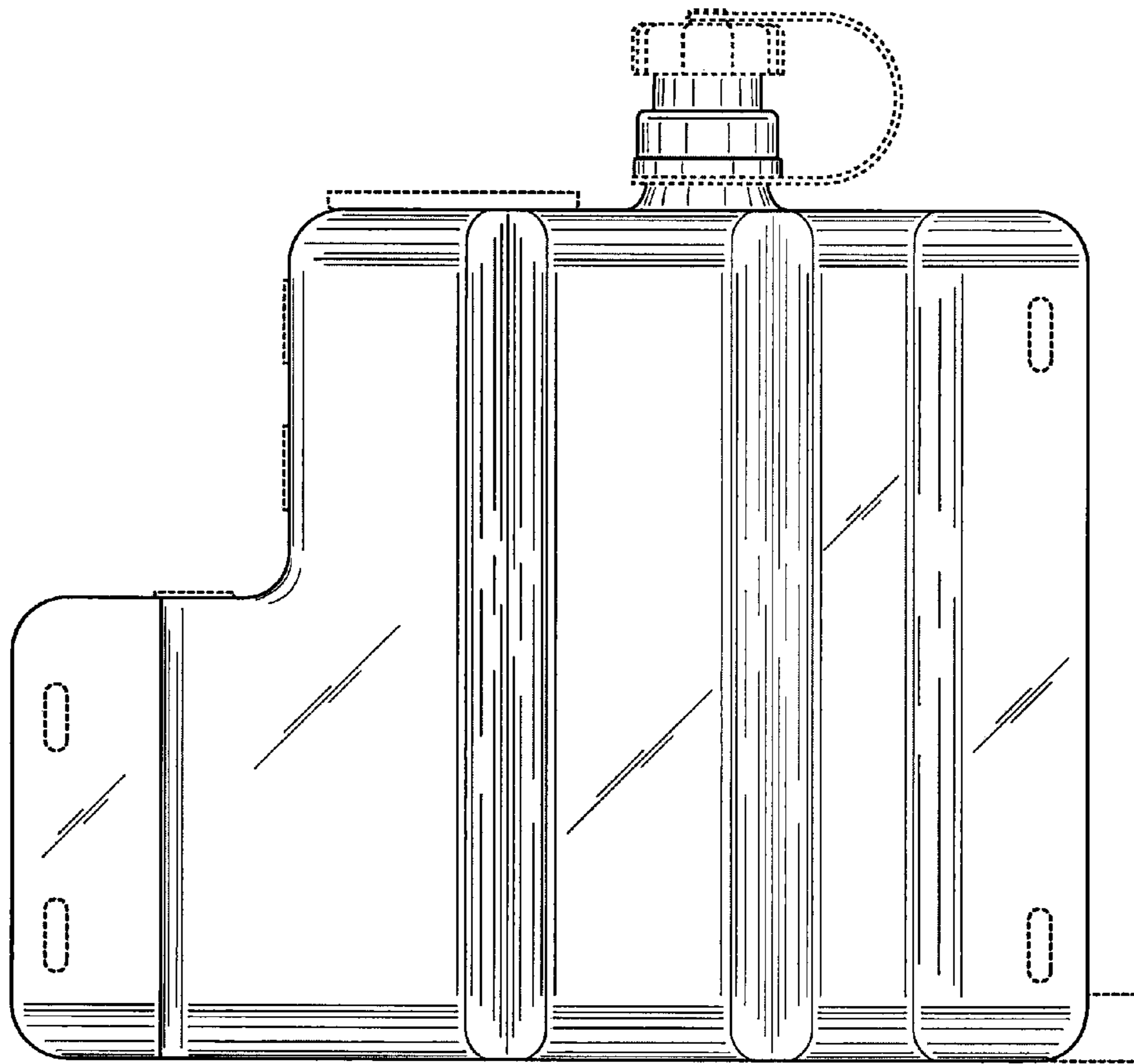


FIG. 12

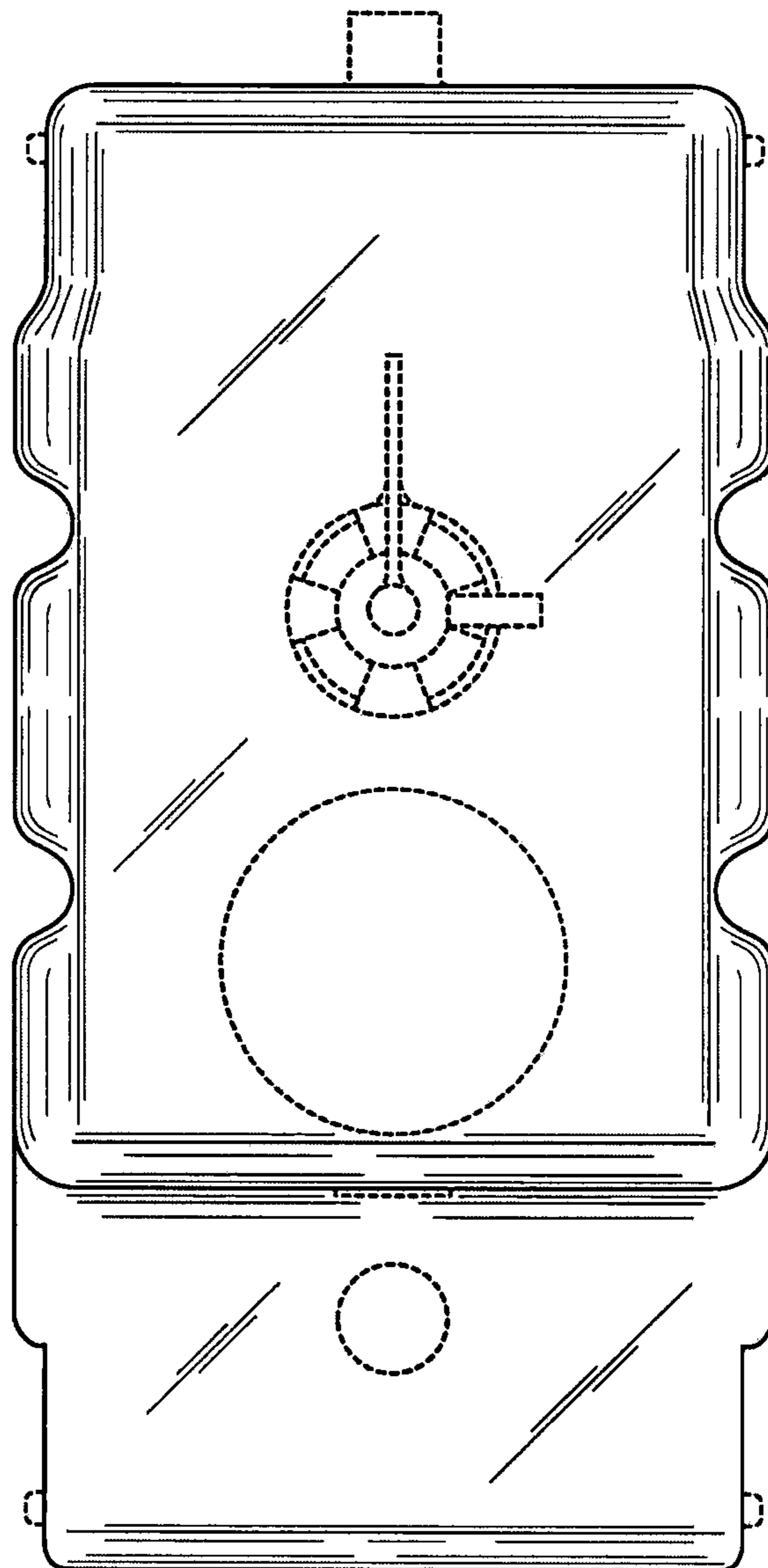


FIG. 13

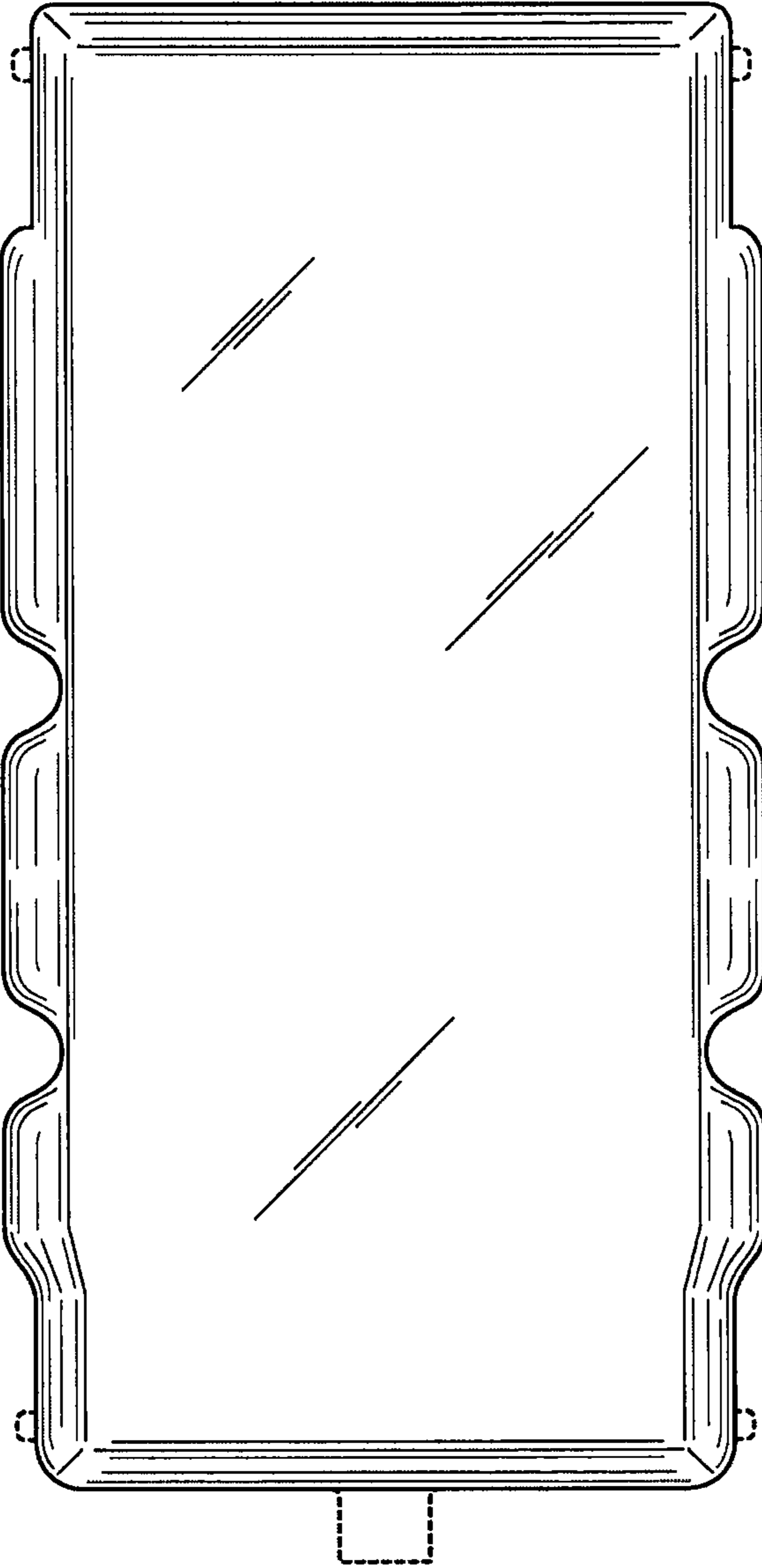


FIG. 14