



US00D701813S

(12) **United States Design Patent**
Kern

(10) **Patent No.:** **US D701,813 S**
(45) **Date of Patent:** **** Apr. 1, 2014**

- (54) **FRONT FACE OF A VEHICLE WHEEL**
- (71) Applicant: **Vossen Wheels**, Miami, FL (US)
- (72) Inventor: **Steven Kern**, Miami Beach, FL (US)
- (73) Assignee: **Vossen Wheels**, Miami, FL (US)
- (**) Term: **14 Years**
- (21) Appl. No.: **29/470,392**
- (22) Filed: **Oct. 21, 2013**
- (51) **LOC (10) Cl.** **12-16**
- (52) **U.S. Cl.**
USPC **D12/211**
- (58) **Field of Classification Search**
USPC D12/204-213; 301/37.101, 64.101, 65,
301/64.201
See application file for complete search history.

D531,951 S	*	11/2006	Khan	D12/211
D531,952 S		11/2006	Sands		
D538,731 S		3/2007	Iwauchi et al.		
D549,632 S		8/2007	Sands		
D571,702 S		6/2008	Guidry		
D609,624 S	*	2/2010	Matsubara	D12/211
D622,197 S		8/2010	Zhao		
D628,948 S		12/2010	Chung		
D630,146 S		1/2011	Finnie		
D635,077 S		3/2011	Nordmann		
D658,105 S	*	4/2012	Hans et al.	D12/211
D673,494 S		1/2013	Lemke		
D680,486 S		4/2013	Zhao		
D682,180 S	*	5/2013	Zhao	D12/211
D688,190 S		8/2013	Hodges		

* cited by examiner

Primary Examiner — Stacia Cadmus

(74) *Attorney, Agent, or Firm* — Berenato & White, LLC

(57) **CLAIM**

The ornamental design for a front face of a vehicle wheel, as shown and described.

DESCRIPTION

FIG. 1 is a front view of a front face of a vehicle wheel, showing my new design;
 FIG. 2 is a perspective view thereof;
 FIG. 3 is a front view of a second embodiment of a front face of a vehicle wheel, showing my new design; and,
 FIG. 4 is a perspective view of FIG. 3.
 The broken line showing of the rear portion of the wheel and the central hub area is included for the purpose of illustrating environment and forms no part of the claimed design.

1 Claim, 4 Drawing Sheets

(56) **References Cited**
U.S. PATENT DOCUMENTS

D248,295 S	6/1978	Day et al.		
D258,504 S	3/1981	Schinella		
D258,732 S	3/1981	Schinella		
D275,193 S	8/1984	Schinella		
D323,138 S	1/1992	Malmgren et al.		
D386,138 S	11/1997	Chen		
D450,649 S	*	11/2001	Penzes D12/211
D464,009 S	*	10/2002	Laengerer D12/211
D477,556 S	*	7/2003	Koch D12/211
D508,007 S	*	8/2005	Koch D12/211
D513,728 S	*	1/2006	Yazawa et al. D12/211
D516,493 S		3/2006	Frizzi	

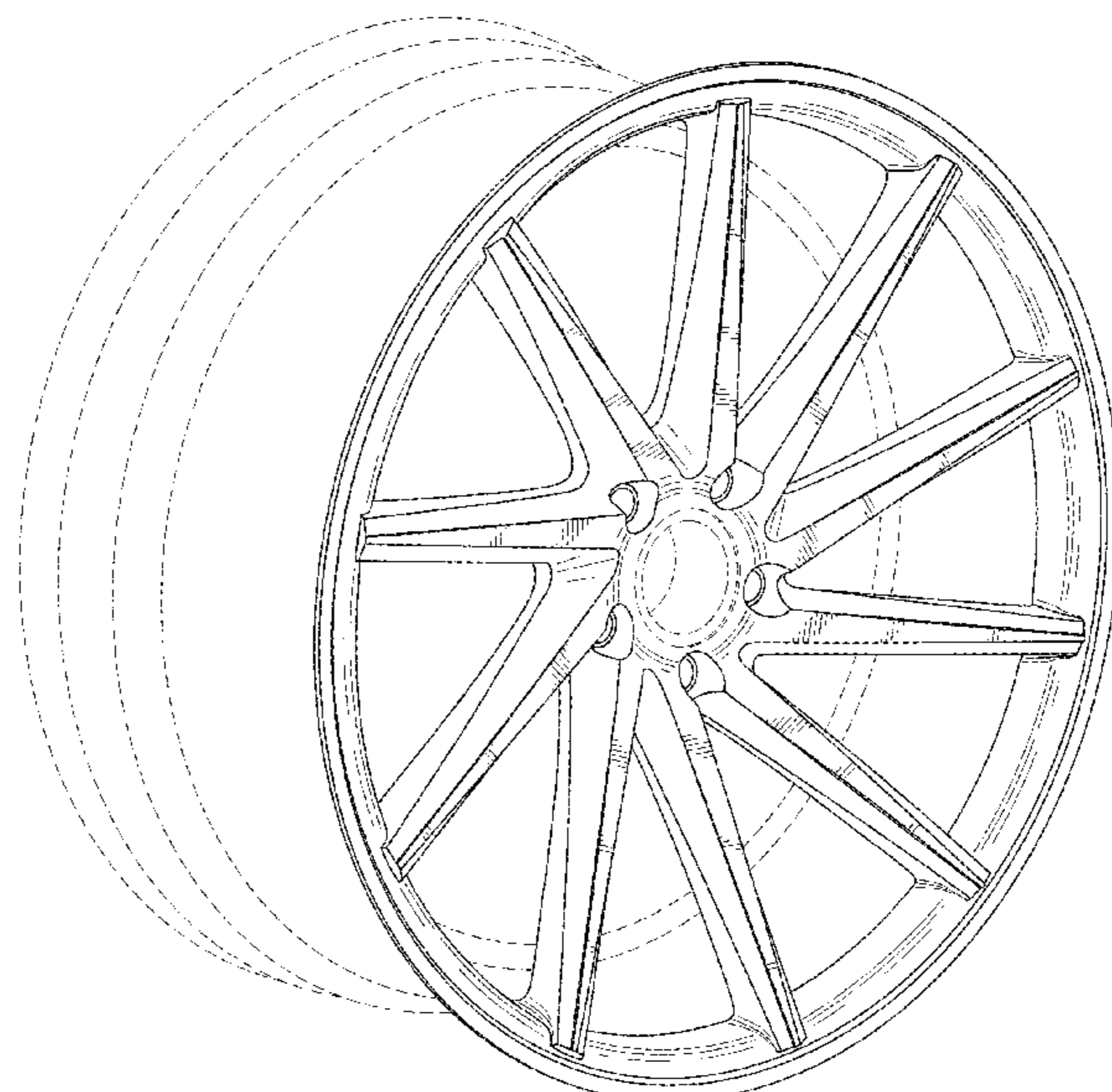
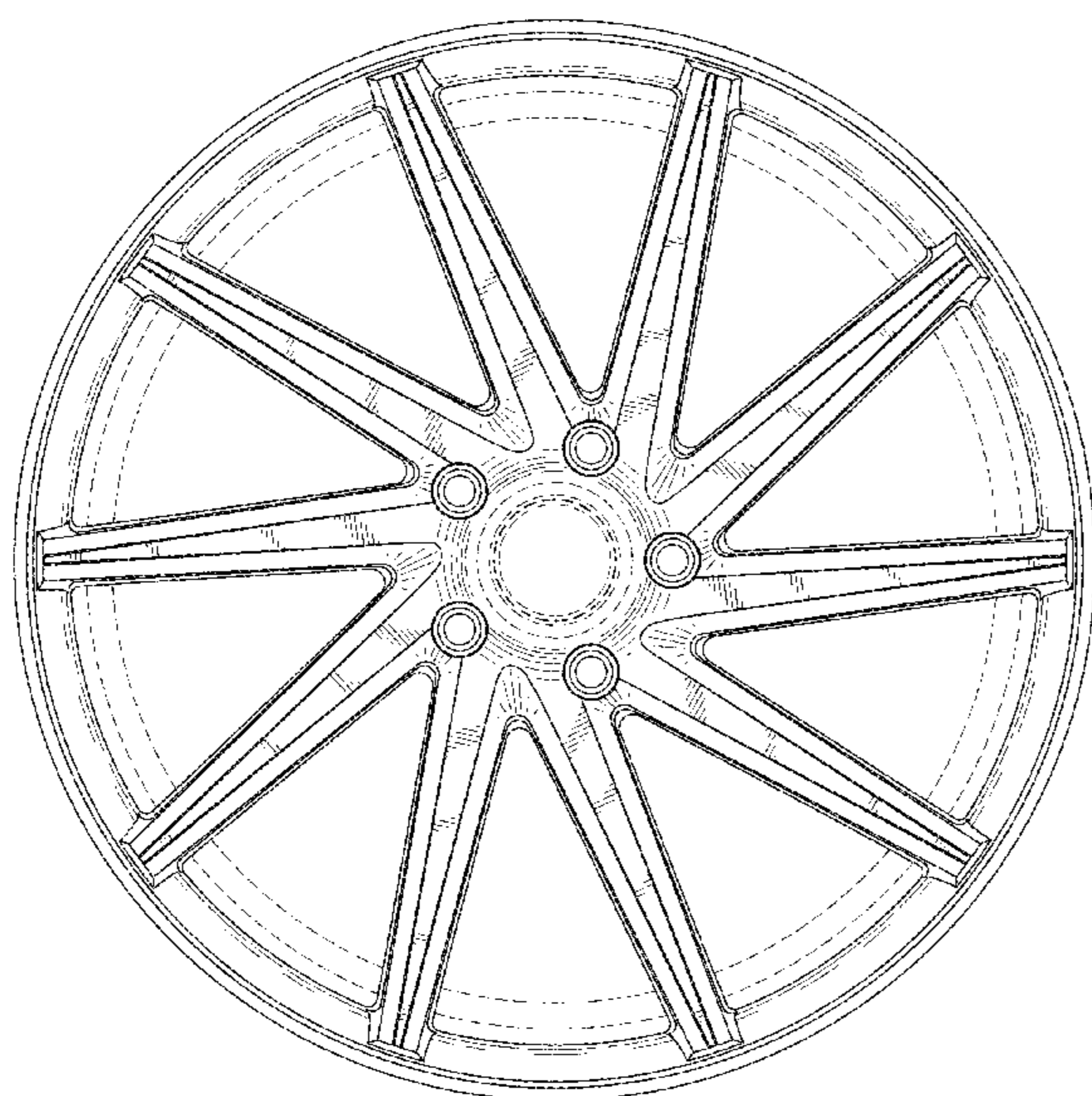


Fig. 1

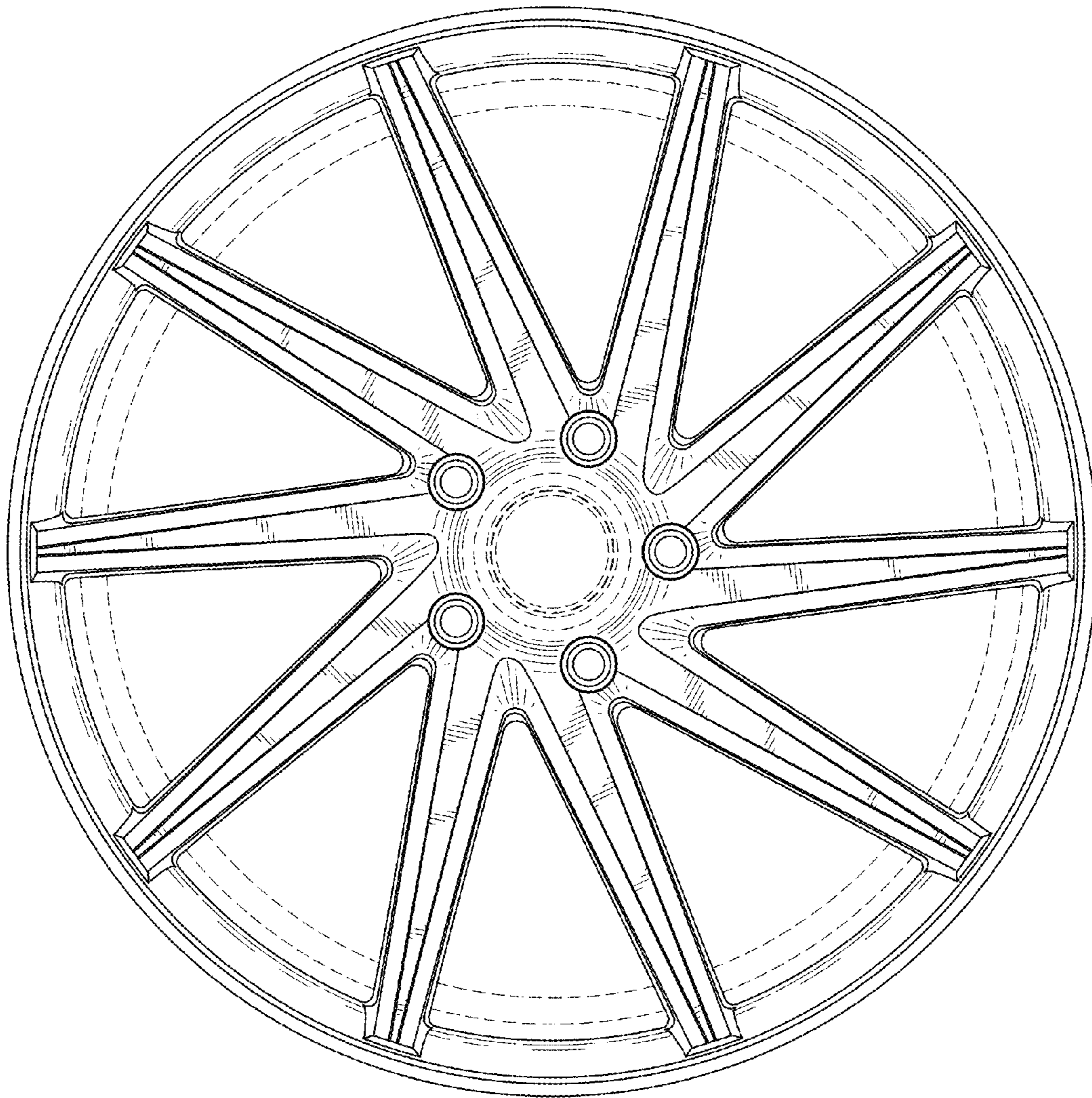


Fig. 2

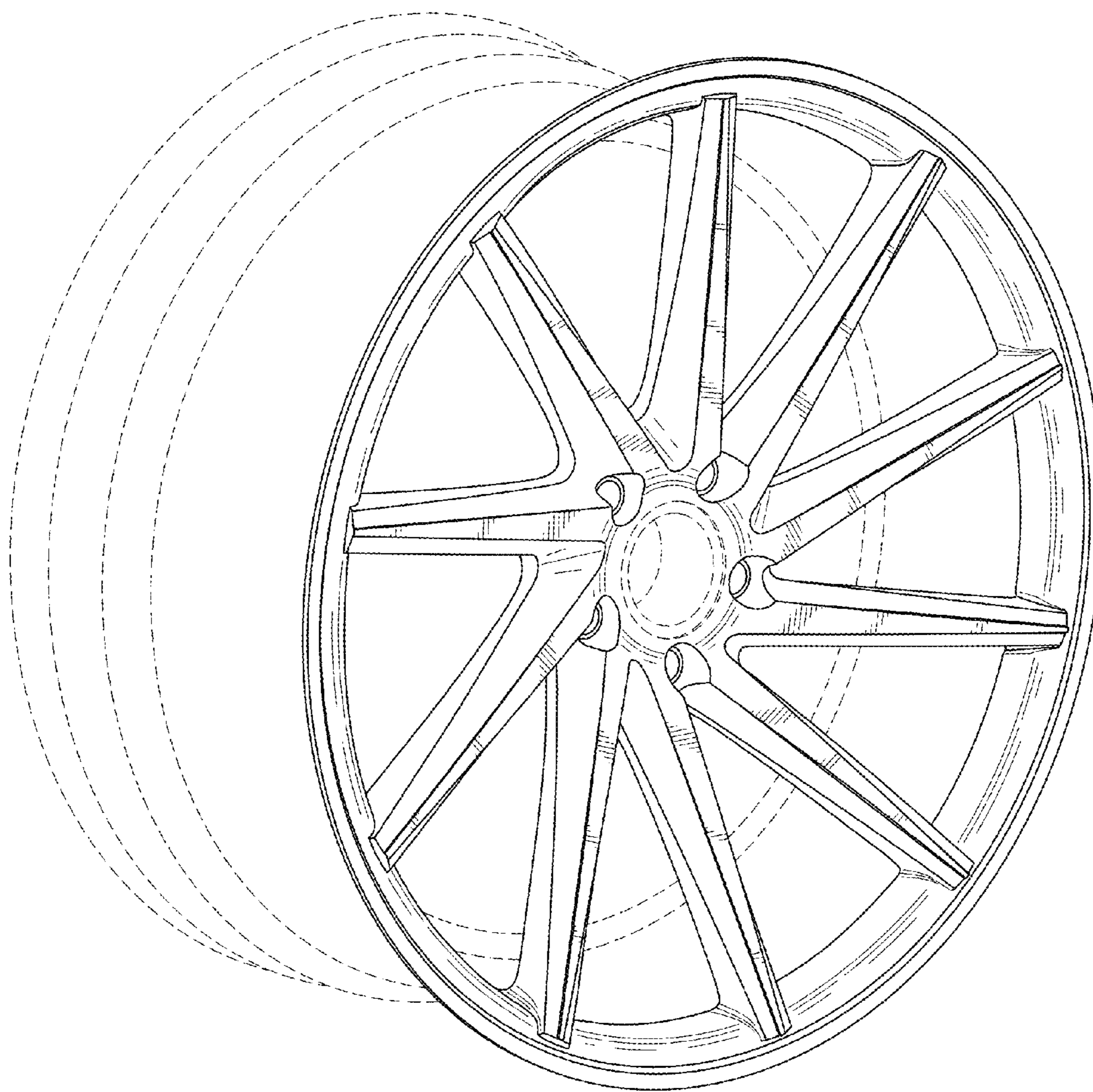


Fig. 3

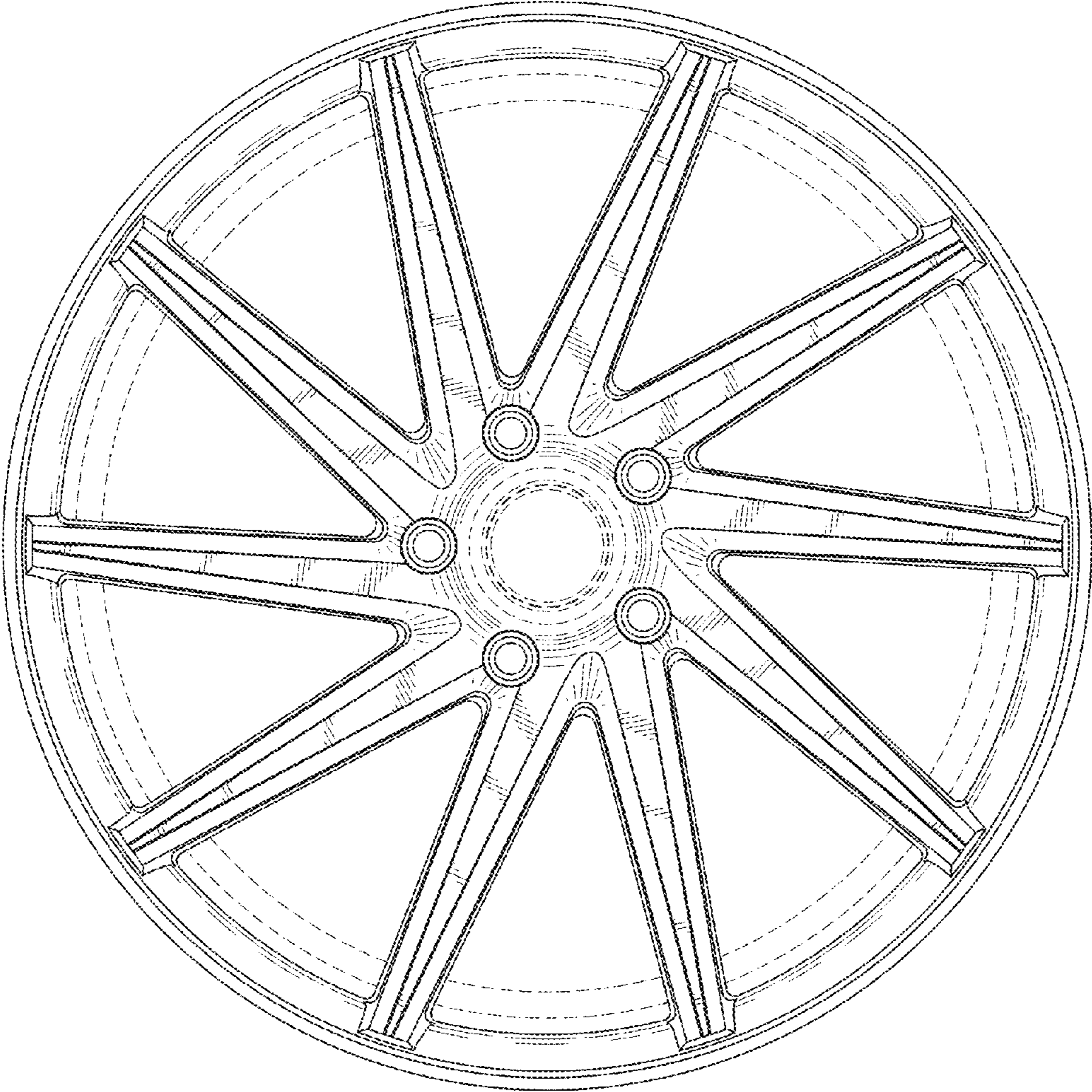


Fig. 4

