

US00D701811S

(12) **United States Design Patent**
Hale, Jr.

(10) **Patent No.:** **US D701,811 S**
(45) **Date of Patent:** **** Apr. 1, 2014**

- (54) **VEHICLE-WHEEL FRONT FACE**
- (71) Applicant: **Mobile Hi-Tech Wheels, Rancho Dominguez, CA (US)**
- (72) Inventor: **Arthur D. Hale, Jr., Long Beach, CA (US)**
- (73) Assignee: **Mobile Hi-Tech Wheels, Rancho Dominguez, CA (US)**
- (**) Term: **14 Years**
- (21) Appl. No.: **29/470,385**
- (22) Filed: **Oct. 21, 2013**
- (51) **LOC (10) Cl.** **12-16**
- (52) **U.S. Cl.**
USPC **D12/211**
- (58) **Field of Classification Search**
USPC D12/204-213; 301/37.101, 64.101, 65, 301/64.201
See application file for complete search history.

D617,717 S *	6/2010	Nordmann	D12/211
D619,071 S *	7/2010	Christensen et al.	D12/211
D639,225 S *	6/2011	Forschner	D12/211
D639,226 S *	6/2011	Juergens et al.	D12/211
D673,494 S *	1/2013	Lemke	D12/209
D680,049 S *	4/2013	Hale, Jr.	D12/211
D680,486 S *	4/2013	Zhao	D12/211
D680,940 S *	4/2013	Hale, Jr.	D12/211
D686,963 S *	7/2013	Hale, Jr.	D12/211
D689,002 S *	9/2013	Hale, Jr.	D12/211

* cited by examiner

Primary Examiner — Stacia Cadmus

(74) *Attorney, Agent, or Firm* — Christie, Parker & Hale, LLP

(57) **CLAIM**

The ornamental design for vehicle-wheel front face, as shown and described.

DESCRIPTION

FIG. 1 is a perspective view of a vehicle wheel front face according to my new design;
 FIG. 2 is a front elevational view thereof; and,
 FIG. 3 is a side elevational view thereof.
 The broken lines showing the side of the wheel, and the round elements around the lip of the rim and the bolt holes and center cap in the central hub area are included for the purpose of illustrating environment and form no part of the claimed design.

1 Claim, 3 Drawing Sheets

- (56) **References Cited**
U.S. PATENT DOCUMENTS
- D392,239 S * 3/1998 Cullen D12/211
- D477,556 S * 7/2003 Koch D12/211
- D508,007 S * 8/2005 Koch D12/211
- D515,493 S * 2/2006 Schaefers D12/211
- D571,702 S * 6/2008 Guidry D12/209

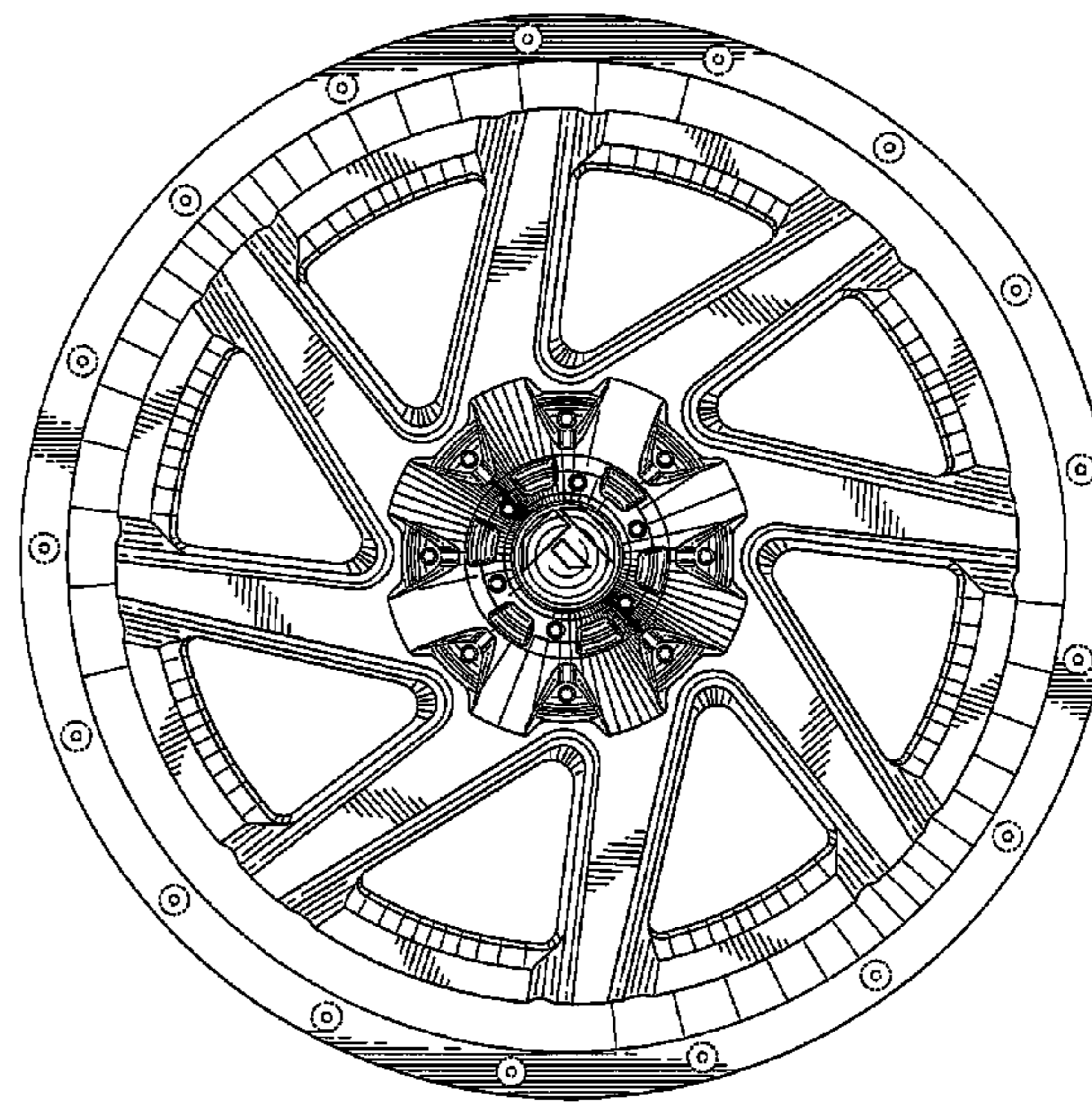
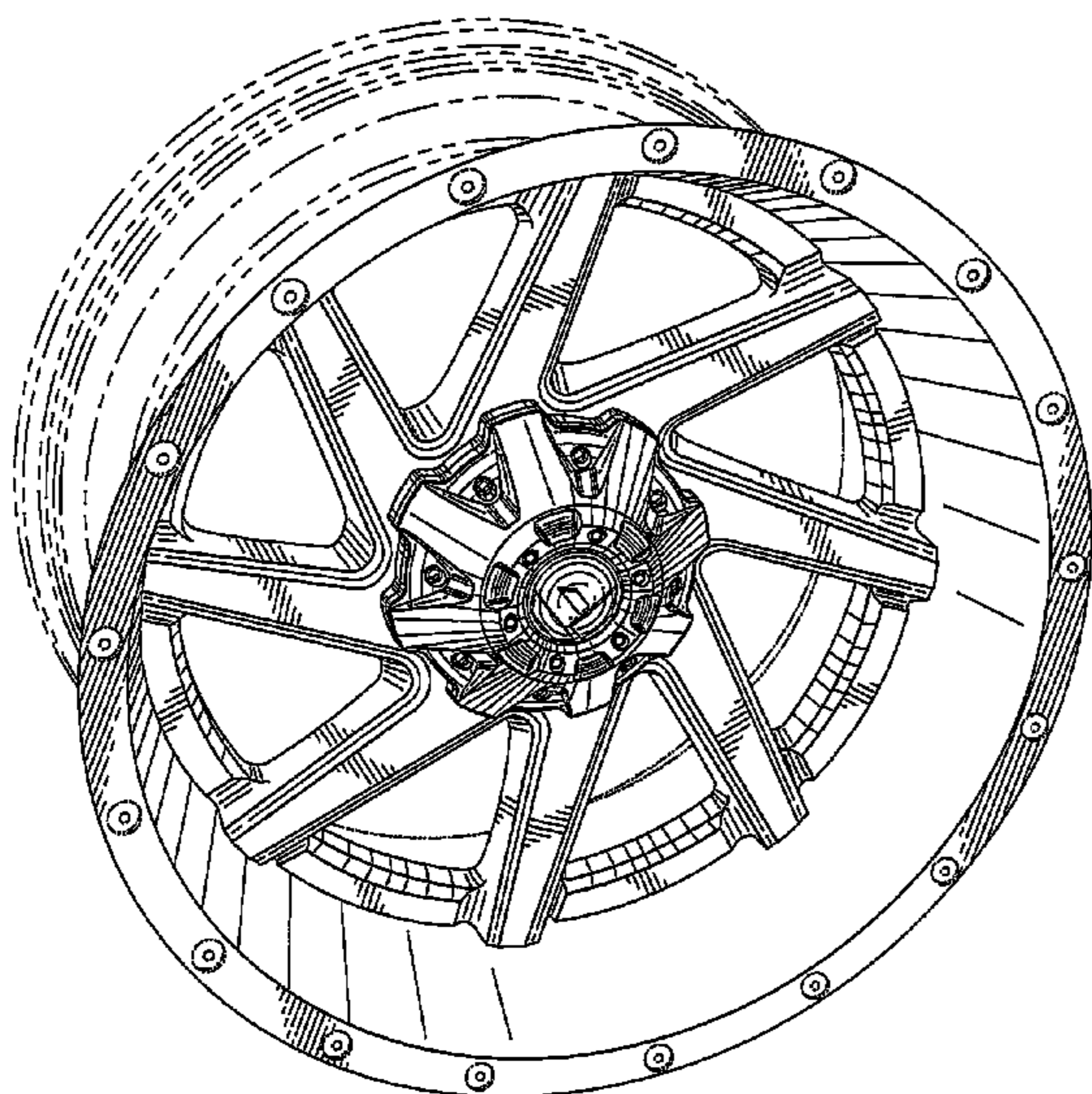


FIG. 1

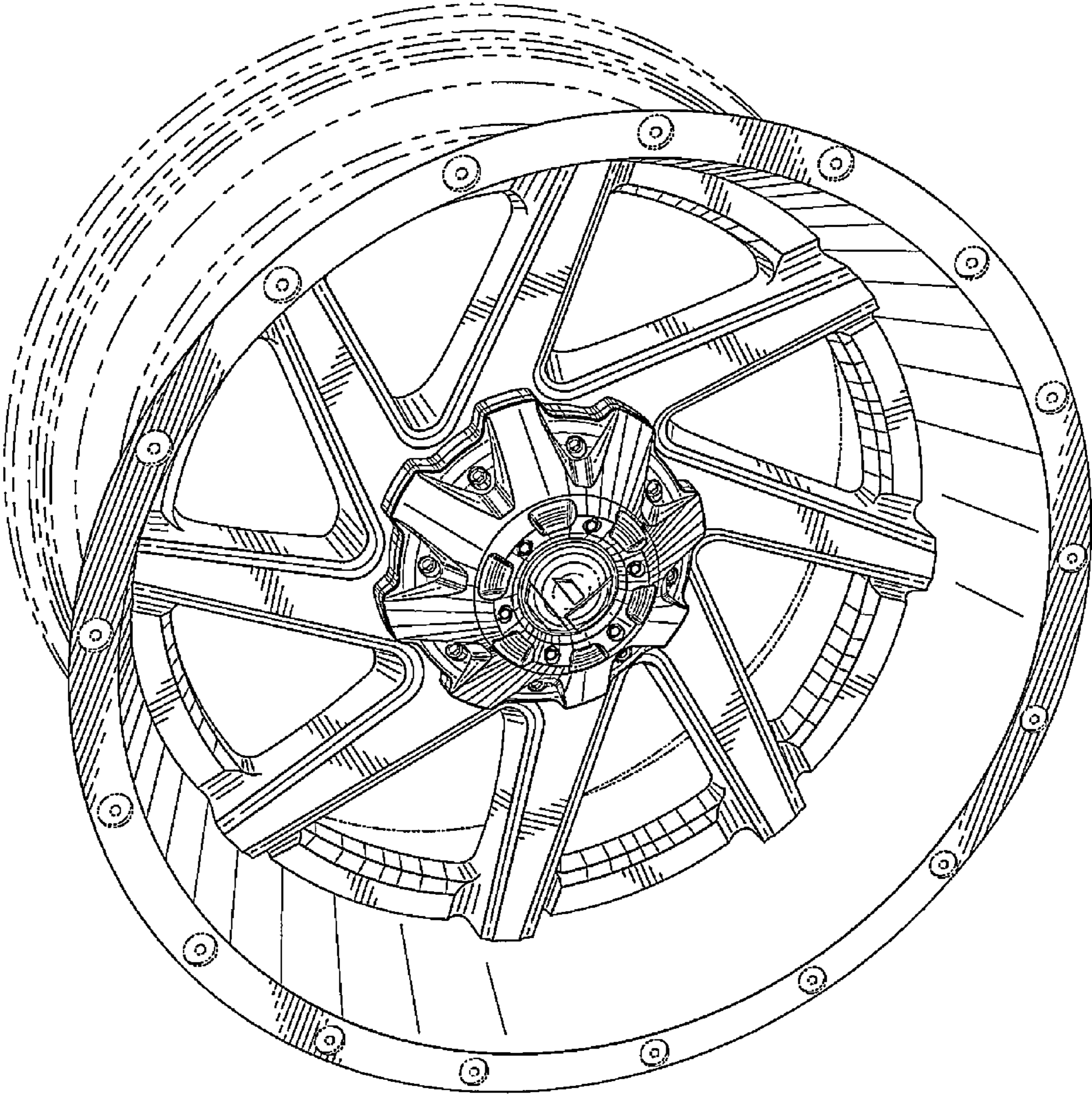


FIG. 2

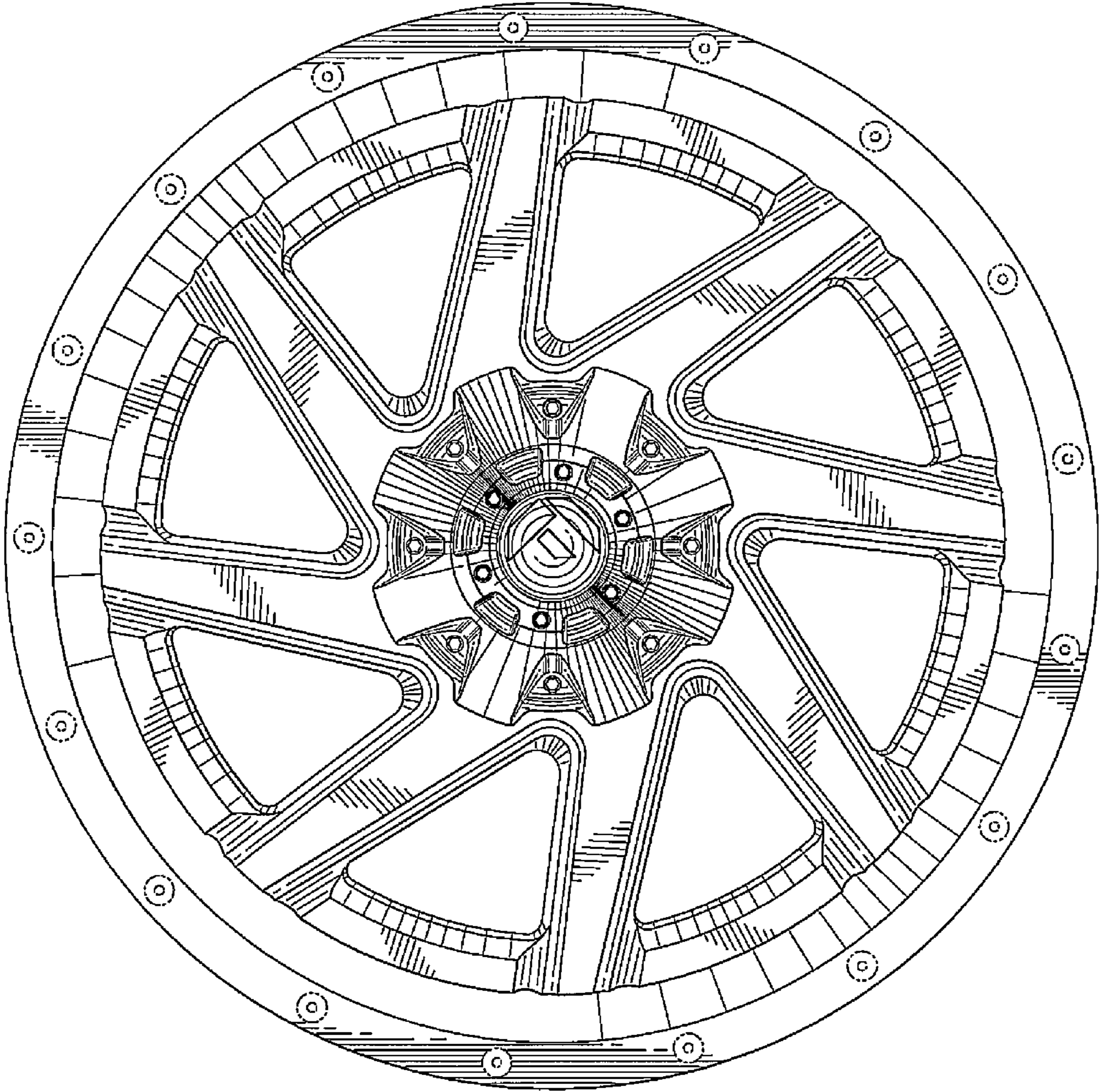


FIG. 3

