



US00D701810S

(12) **United States Design Patent**
Zhang

(10) **Patent No.:** **US D701,810 S**
(45) **Date of Patent:** **** Apr. 1, 2014**

(54) **WHEEL OR WHEEL COVER**

(75) Inventor: **Fan Zhang**, Stuttgart (DE)

(73) Assignee: **Daimler AG**, Stuttgart (DE)

(**) Term: **14 Years**

(21) Appl. No.: **29/371,296**

(22) Filed: **Dec. 21, 2010**

(30) **Foreign Application Priority Data**

Jun. 22, 2010 (EM) 001722547-0007

(51) **LOC (10) Cl.** **12-16**

(52) **U.S. Cl.**
USPC **D12/211**

(58) **Field of Classification Search**
USPC D12/204-213; 301/37.101, 64.101, 65,
301/64.201
See application file for complete search history.

(56) **References Cited**

U.S. PATENT DOCUMENTS

D501,815 S * 2/2005 Weld D12/209
D566,642 S * 4/2008 Scheu D12/211
D576,096 S * 9/2008 Chung D12/211

D577,650 S * 9/2008 Chung D12/211
D585,352 S * 1/2009 Scheu D12/211
D617,716 S * 6/2010 Lamm et al. D12/211
D641,680 S * 7/2011 Laengerer D12/211
D643,795 S * 8/2011 Nissl D12/211
D654,007 S * 2/2012 Nissl D12/211
D658,108 S * 4/2012 Fetherston et al. D12/211
D659,628 S * 5/2012 Pollmann D12/211
D663,249 S * 7/2012 Zhang D12/211
D667,771 S * 9/2012 Clottu D12/211
D683,294 S * 5/2013 Pollmann D12/209
D683,295 S * 5/2013 Pollmann D12/209

* cited by examiner

Primary Examiner — Stacia Cadmus

(74) *Attorney, Agent, or Firm* — Crowell & Moring LLP

(57) **CLAIM**

The ornamental design for a wheel or wheel cover, as shown and described.

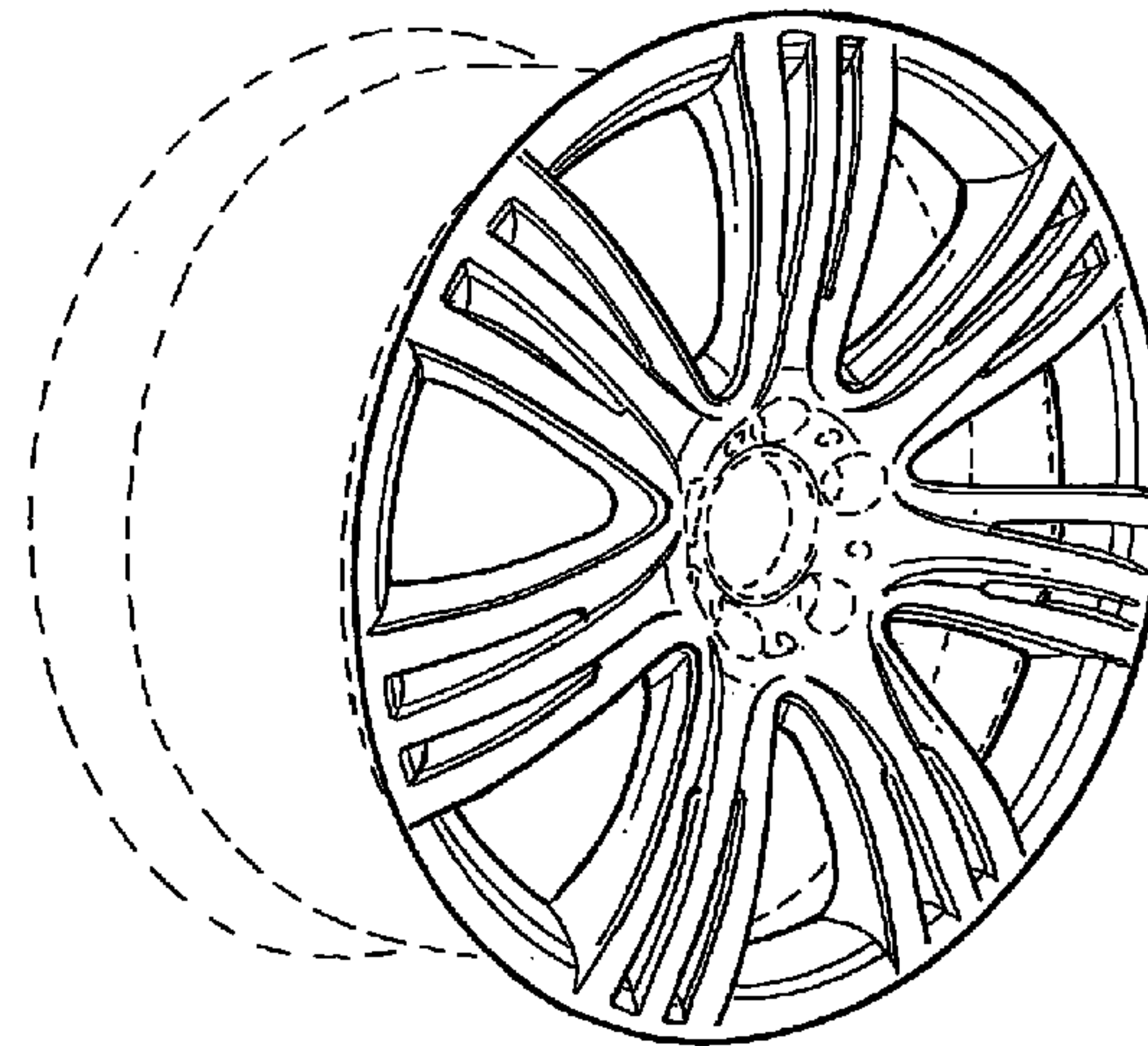
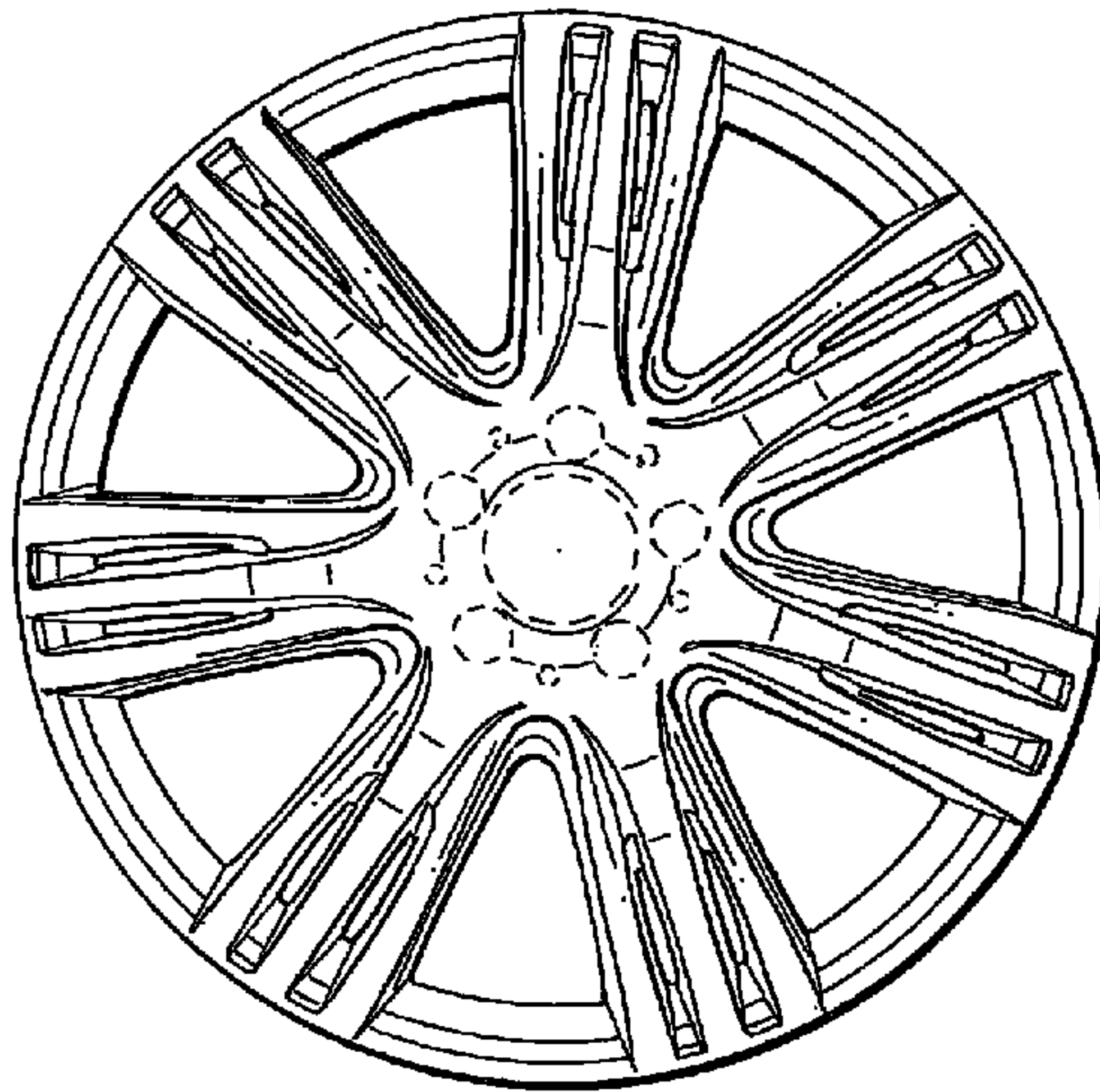
DESCRIPTION

FIG. 1 is a front view of a wheel or wheel cover according to my design; and,

FIG. 2 is a perspective view thereof.

The broken line showing of the rear of the wheel and the bolt holes and center opening in the central hub area is included for the purpose of illustrating environment and forms no part of the claimed design.

1 Claim, 1 Drawing Sheet



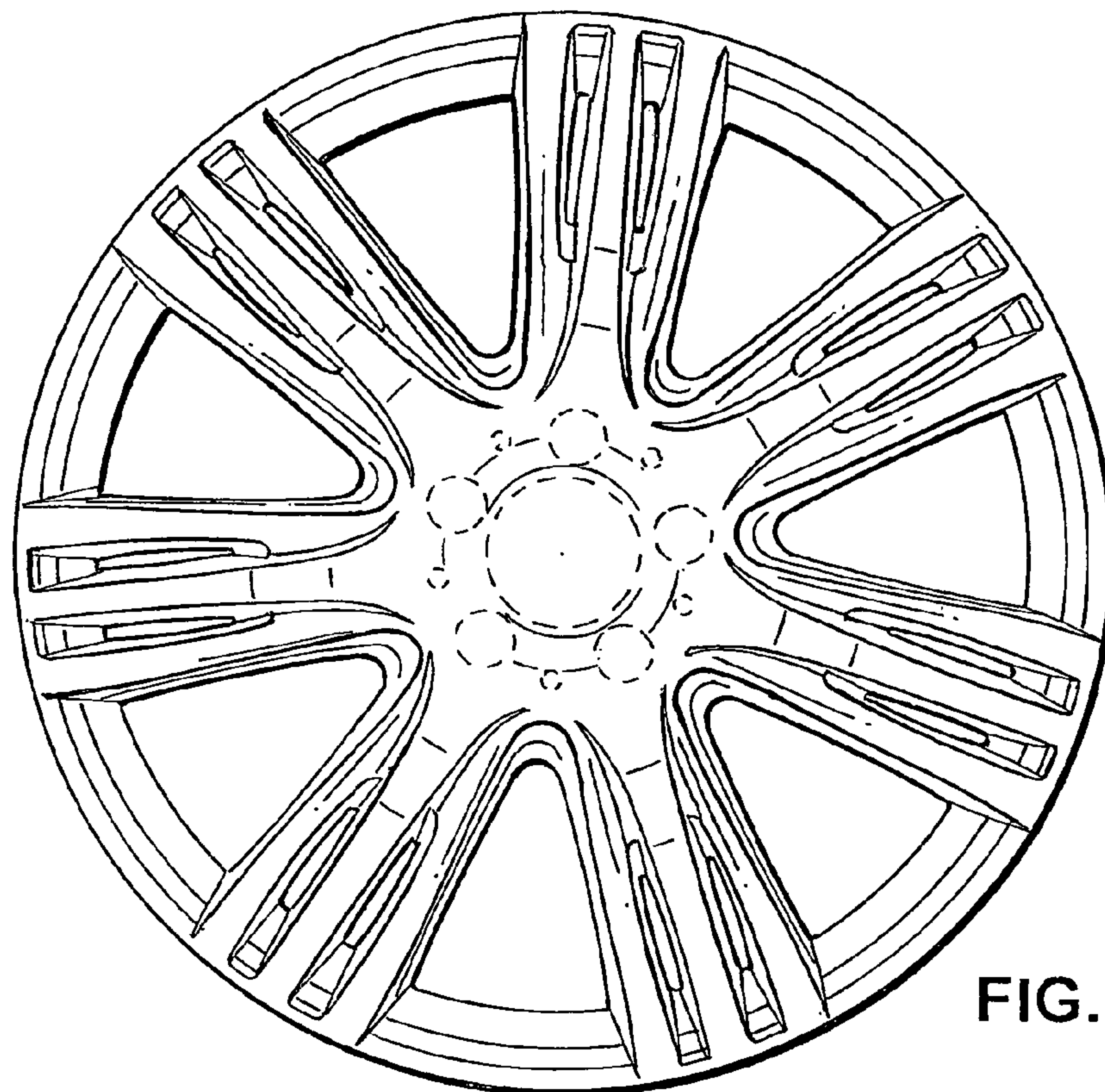


FIG. 1

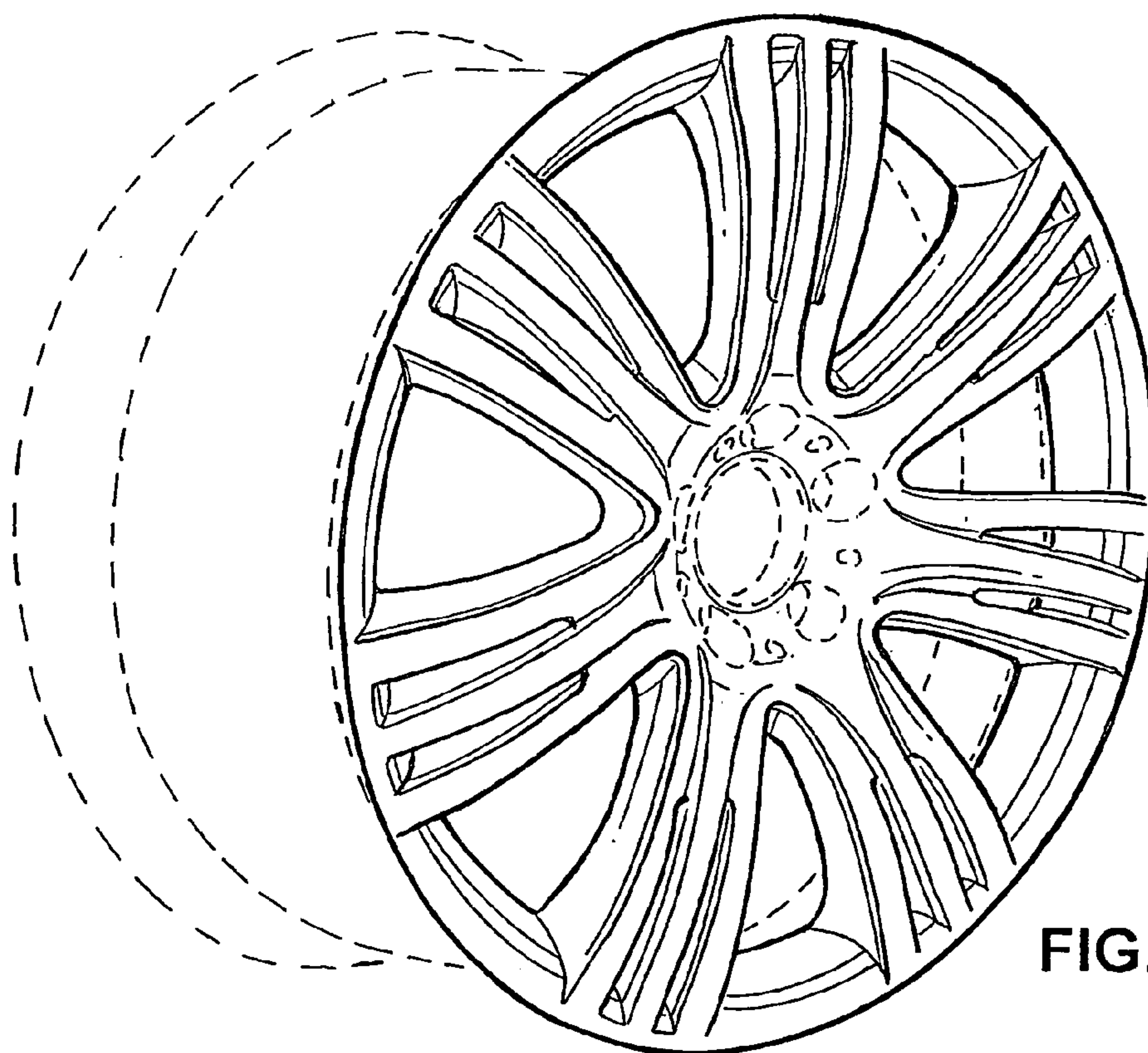


FIG. 2