



US00D701809S

(12) **United States Design Patent**  
**Hildebrand et al.**

(10) **Patent No.:** **US D701,809 S**

(45) **Date of Patent:** **\*\* Apr. 1, 2014**

(54) **VEHICLE REAR DOOR**

(71) Applicant: **Qoros Automotive Co., Ltd.**, Changshu (CN)

(72) Inventors: **Gert Volker Hildebrand**, Munich (DE);  
**Philipp Ebert**, Graz (AT)

(73) Assignee: **Qoros Automotive Co., Ltd.**, Changshu, Jiangsu Province (CN)

(\*\*) Term: **14 Years**

(21) Appl. No.: **29/435,659**

(22) Filed: **Oct. 26, 2012**

(30) **Foreign Application Priority Data**

Apr. 27, 2012 (CN) ..... 2012 3 0146280

(51) **LOC (10) Cl.** ..... **12-16**

(52) **U.S. Cl.**  
USPC ..... **D12/196**

(58) **Field of Classification Search**  
USPC ..... D12/196, 90-92, 86; 296/181.1, 181.5  
See application file for complete search history.

(56) **References Cited**

U.S. PATENT DOCUMENTS

D653,187 S *	1/2012	Tomatsu et al. ....	D12/196
D660,211 S *	5/2012	Ikuma et al. ....	D12/196
D676,366 S *	2/2013	Yamada et al. ....	D12/196
D686,553 S *	7/2013	Kwon et al. ....	D12/196
D694,691 S *	12/2013	Matsueda ....	D12/196

\* cited by examiner

*Primary Examiner* — Melody Brown

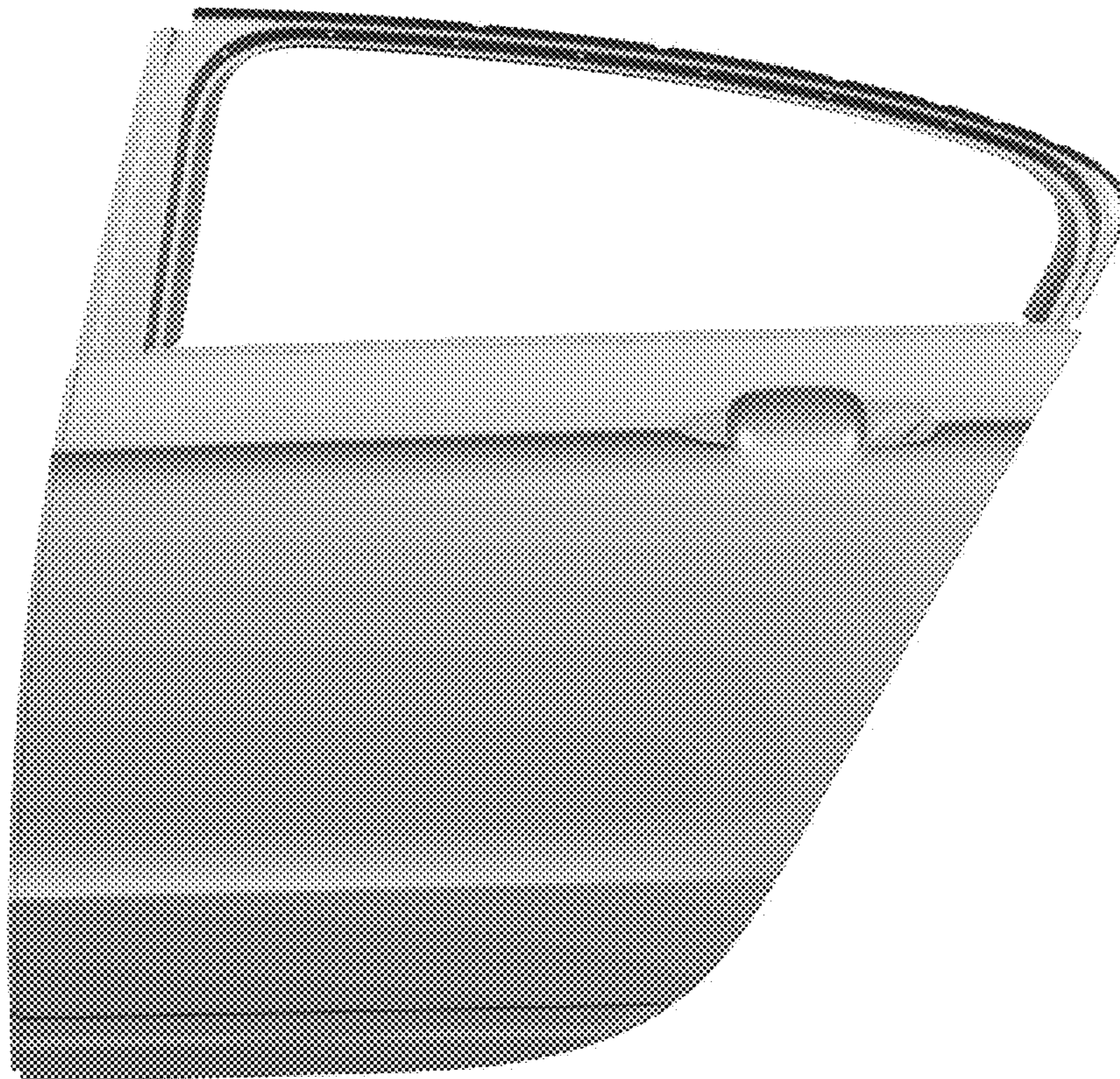
(57) **CLAIM**

The ornamental design for a vehicle rear door, as shown and described.

**DESCRIPTION**

FIG. 1 is a front view of a vehicle rear door.  
FIG. 2 is a rear view of the vehicle rear door of FIG. 1.  
FIG. 3 is a left side view of the vehicle rear door of FIG. 1.  
FIG. 4 is a right side view of the vehicle rear door of FIG. 1.  
FIG. 5 is a top view of the vehicle rear door of FIG. 1.  
FIG. 6 is a bottom view of the vehicle rear door of FIG. 1; and,  
FIG. 7 is a front perspective view of the vehicle rear door of FIG. 1.

**1 Claim, 4 Drawing Sheets**



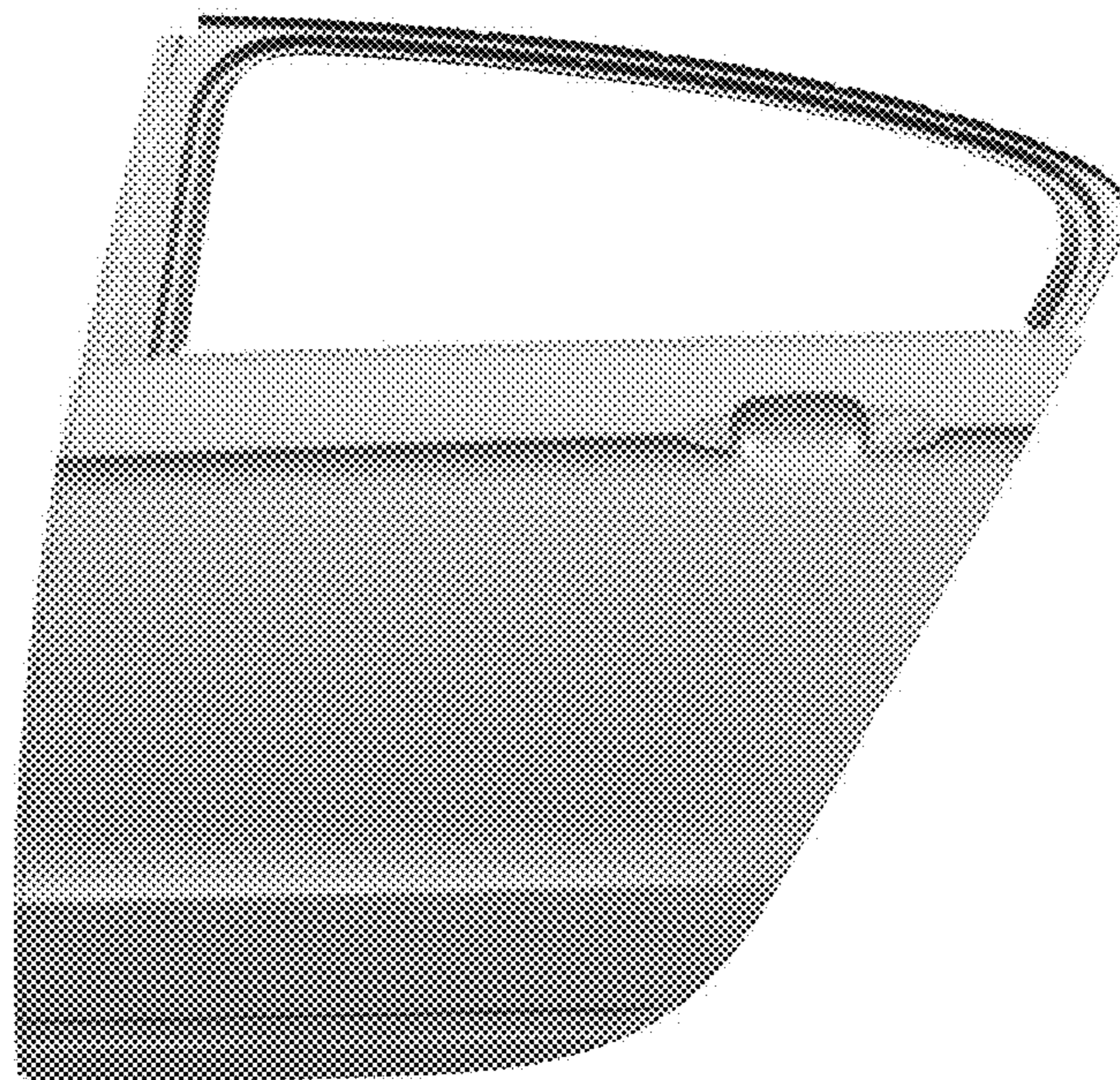


FIG. 1

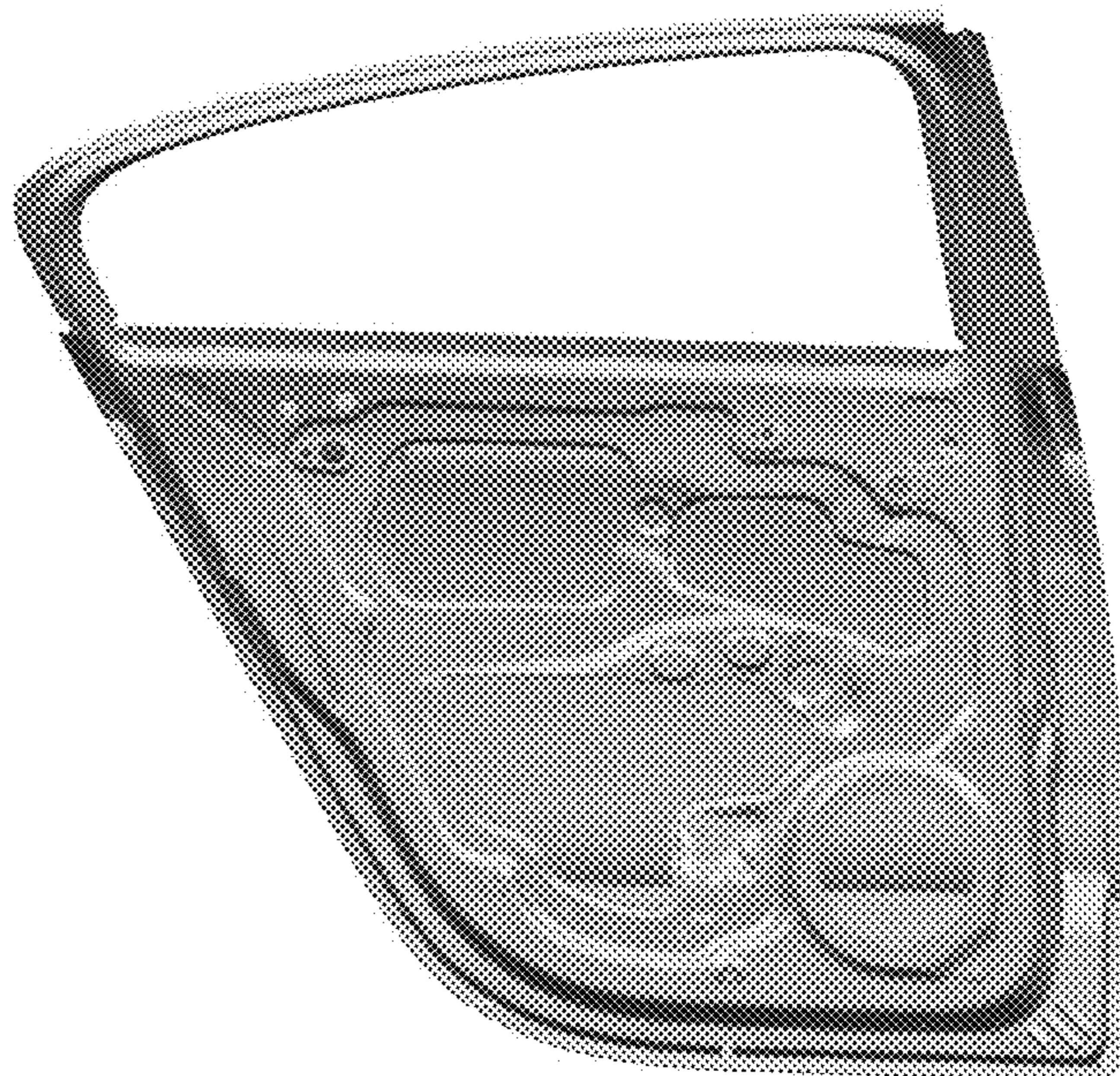


FIG. 2

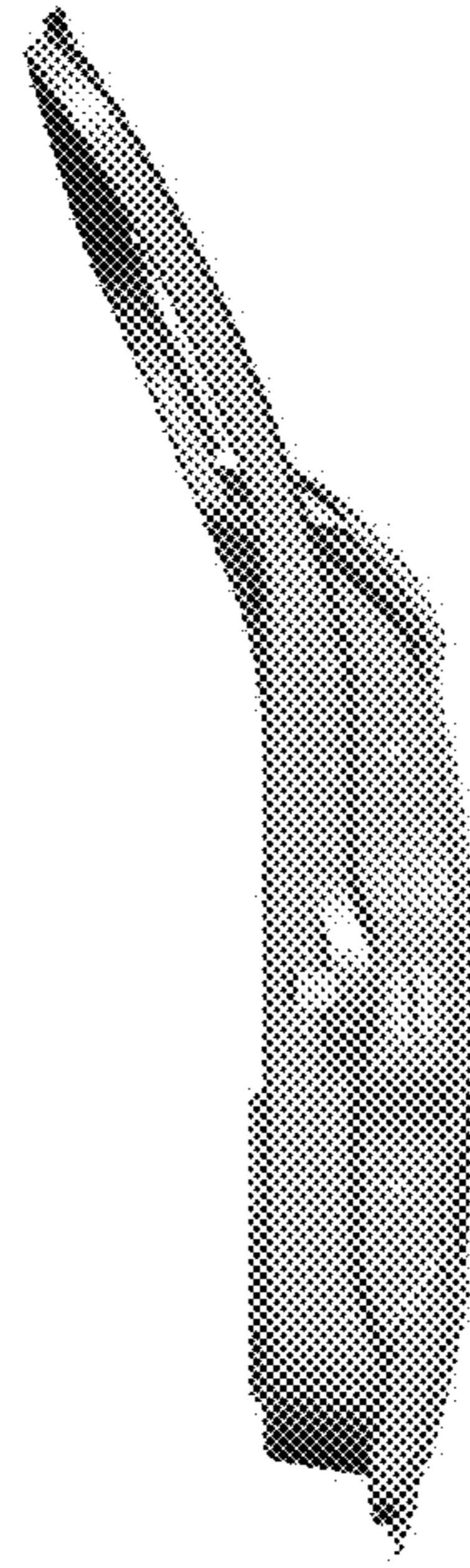


FIG. 3

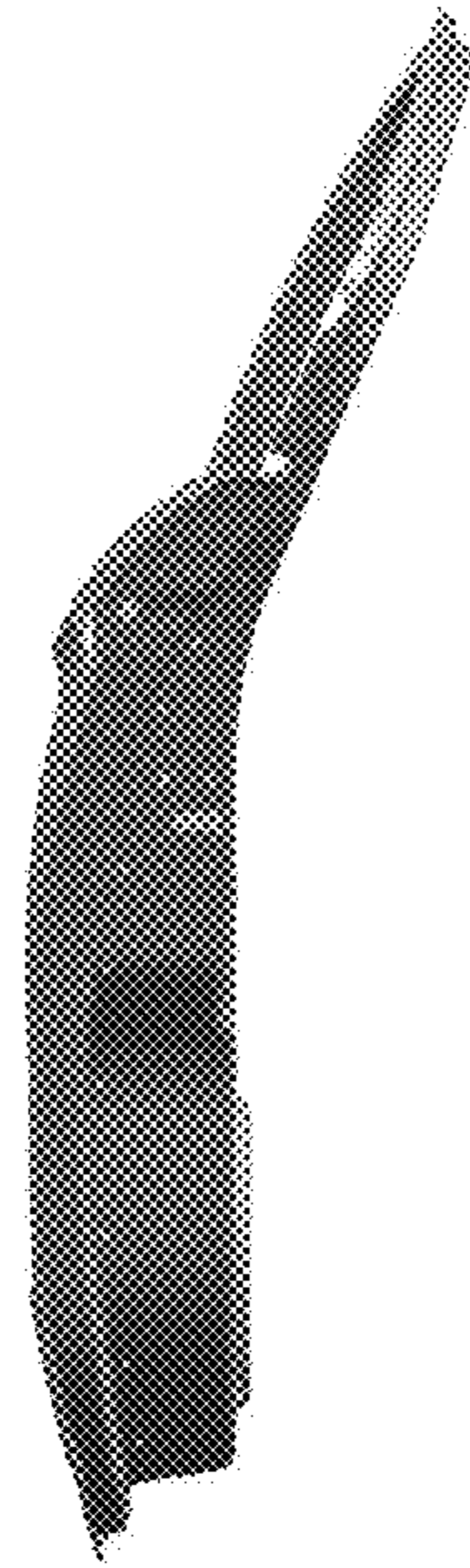


FIG. 4

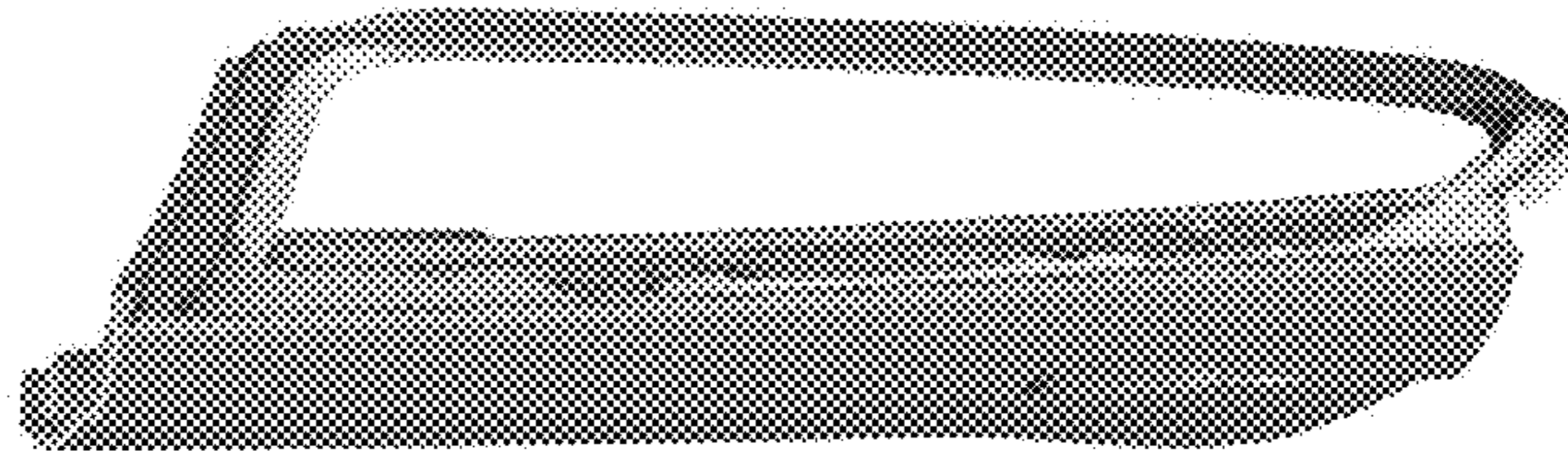


FIG. 5

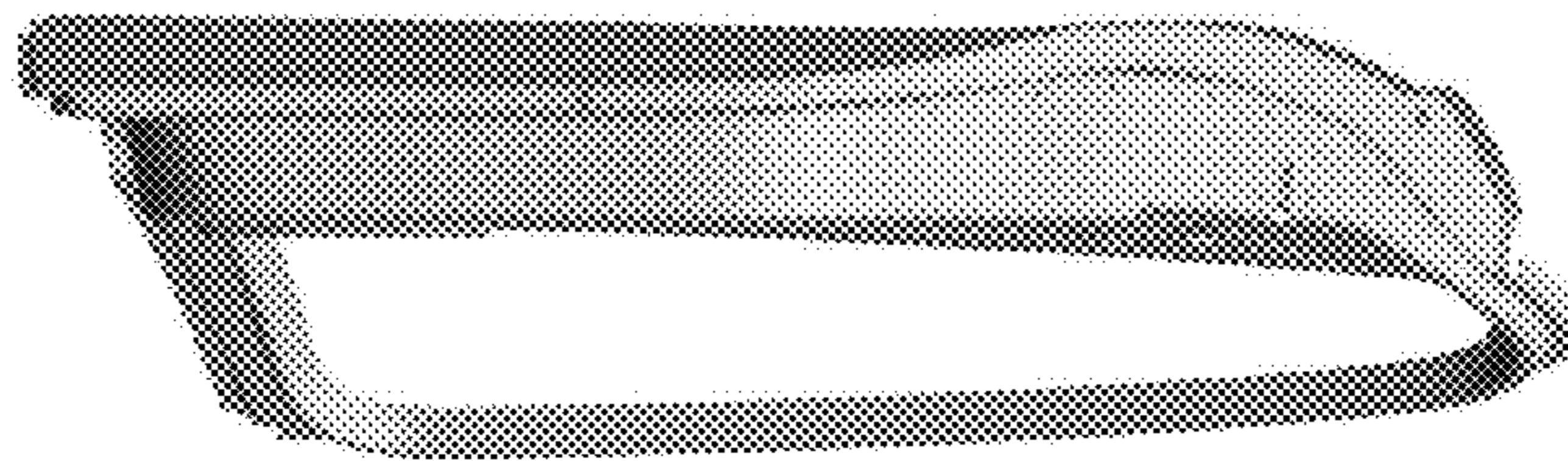


FIG. 6

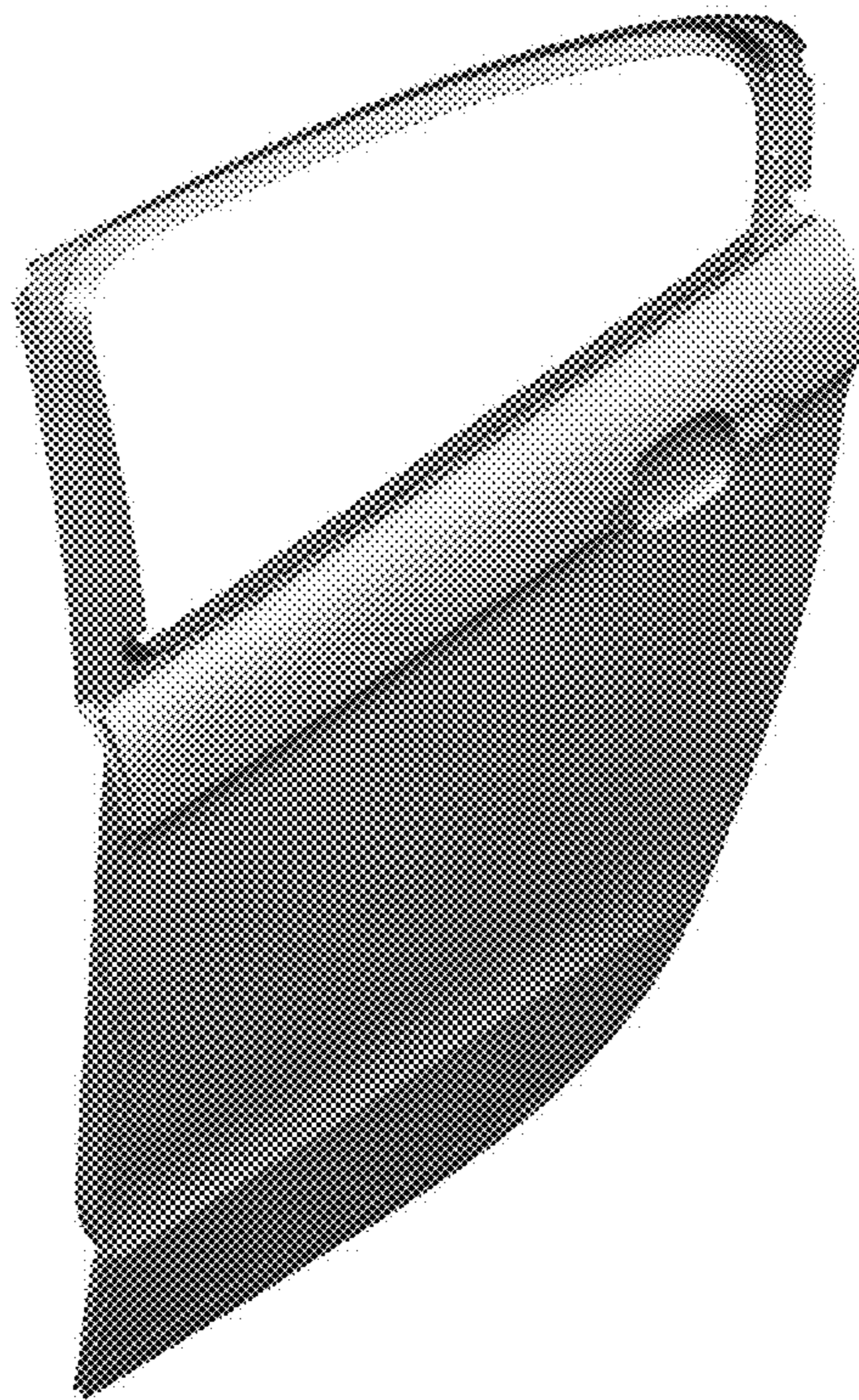


FIG. 7