



US00D701808S

(12) **United States Design Patent**
Geberth

(10) **Patent No.:** **US D701,808 S**
(45) **Date of Patent:** **** Apr. 1, 2014**

(54) **GAS PEDAL**

(71) Applicant: **Daniel Geberth**, Odessa, FL (US)

(72) Inventor: **Daniel Geberth**, Odessa, FL (US)

(**) Term: **14 Years**

(21) Appl. No.: **29/444,268**

(22) Filed: **Jan. 29, 2013**

(51) **LOC (10) Cl.** **12-16**

(52) **U.S. Cl.**
USPC **D12/174**

(58) **Field of Classification Search**
USPC D12/125, 174, 400; D21/663, 667, 668,
D21/670, 694; 74/512, 513, 560, 563,
74/594.4, 594.6; 482/57, 139; 280/259;
403/257

See application file for complete search history.

(56) **References Cited**

U.S. PATENT DOCUMENTS

D250,814 S *	1/1979	Dartnall	D12/174
D311,166 S *	10/1990	Asano	D12/174
D393,298 S *	4/1998	Kuo	D21/694
D433,971 S *	11/2000	Shien	D12/174
D443,569 S *	6/2001	Jindo	D12/174
D447,102 S *	8/2001	Saleen	D12/174
6,370,984 B1 *	4/2002	Chang	74/563
D510,965 S *	10/2005	Clark	D21/694
D518,425 S *	4/2006	Tatsumi	D12/174
7,703,351 B2 *	4/2010	Sakuraba et al.	74/513
2011/0282545 A1 *	11/2011	Karatsinides	701/36

FOREIGN PATENT DOCUMENTS

JP 2012056560 A * 3/2012
JP 2013014250 A * 1/2013

OTHER PUBLICATIONS

Rennline 944/924/968. Aluminum pedal set-w/dead pedal. Jul. 22, 2013 [online], [retrieved on Sep. 4, 2013]. Retrieved from the Internet <URL: http://www.stableenergies.com/Aluminum-pedal-set-w-dead-pedal-adj-944_924_968-all/productinfo/REN-A121P2/>.*

* cited by examiner

Primary Examiner — Philip S Hyder

Assistant Examiner — Darlington Ly

(74) *Attorney, Agent, or Firm* — Larson & Larson, P.A.; Frank Liebenow; Justin P. Miller

(57) **CLAIM**

I claim the ornamental design for a gas pedal, as shown and described.

DESCRIPTION

FIG. 1 is front elevation view of the gas pedal showing my new design;

FIG. 2 is a rear elevation view thereof;

FIG. 3 is a right side elevation view thereof;

FIG. 4 is a left side elevation view thereof;

FIG. 5 is a top plan elevation view thereof;

FIG. 6 is a bottom plan view thereof;

FIG. 7 is a front perspective view thereof; and,

FIG. 8 is a rear perspective view thereof.

1 Claim, 5 Drawing Sheets

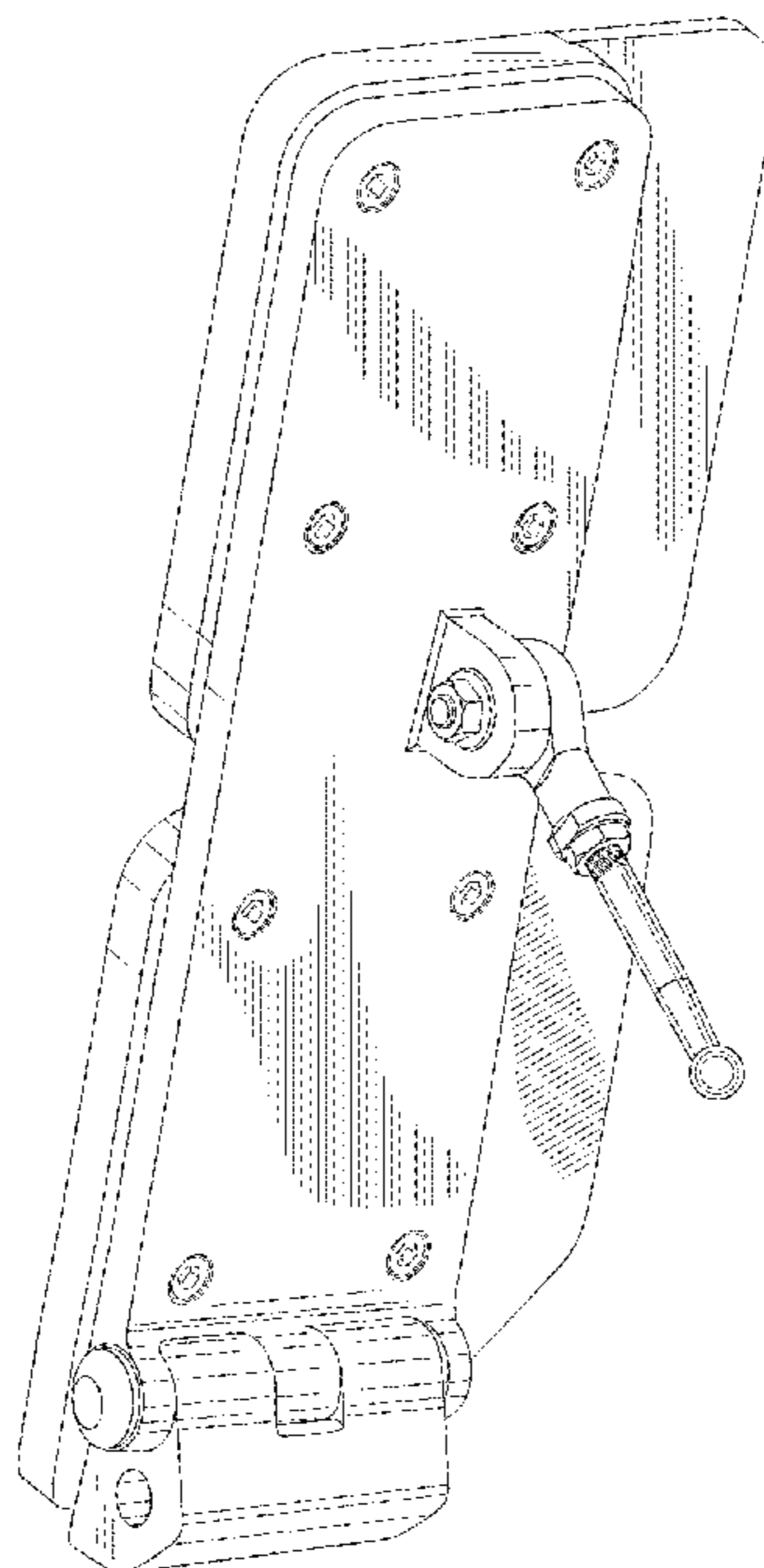
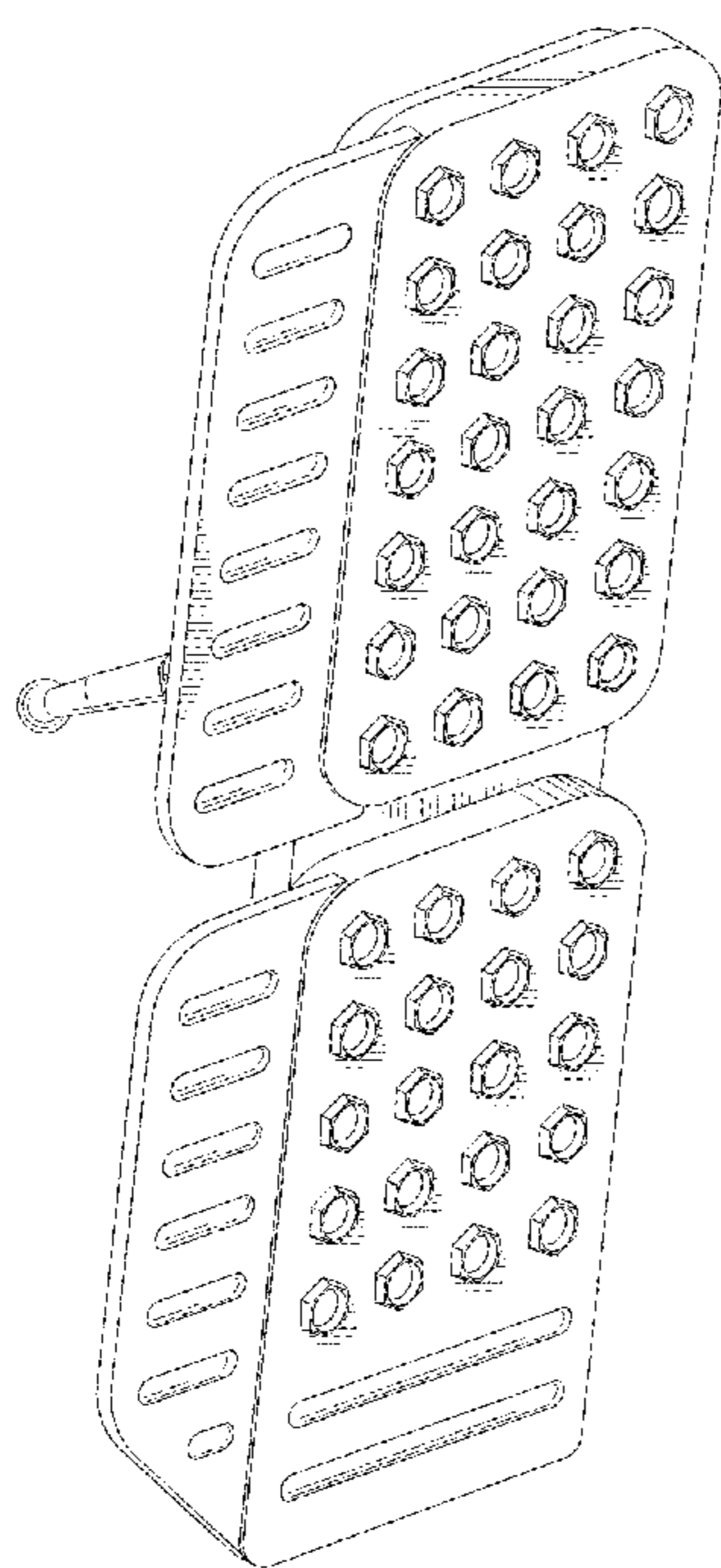


FIG. 1

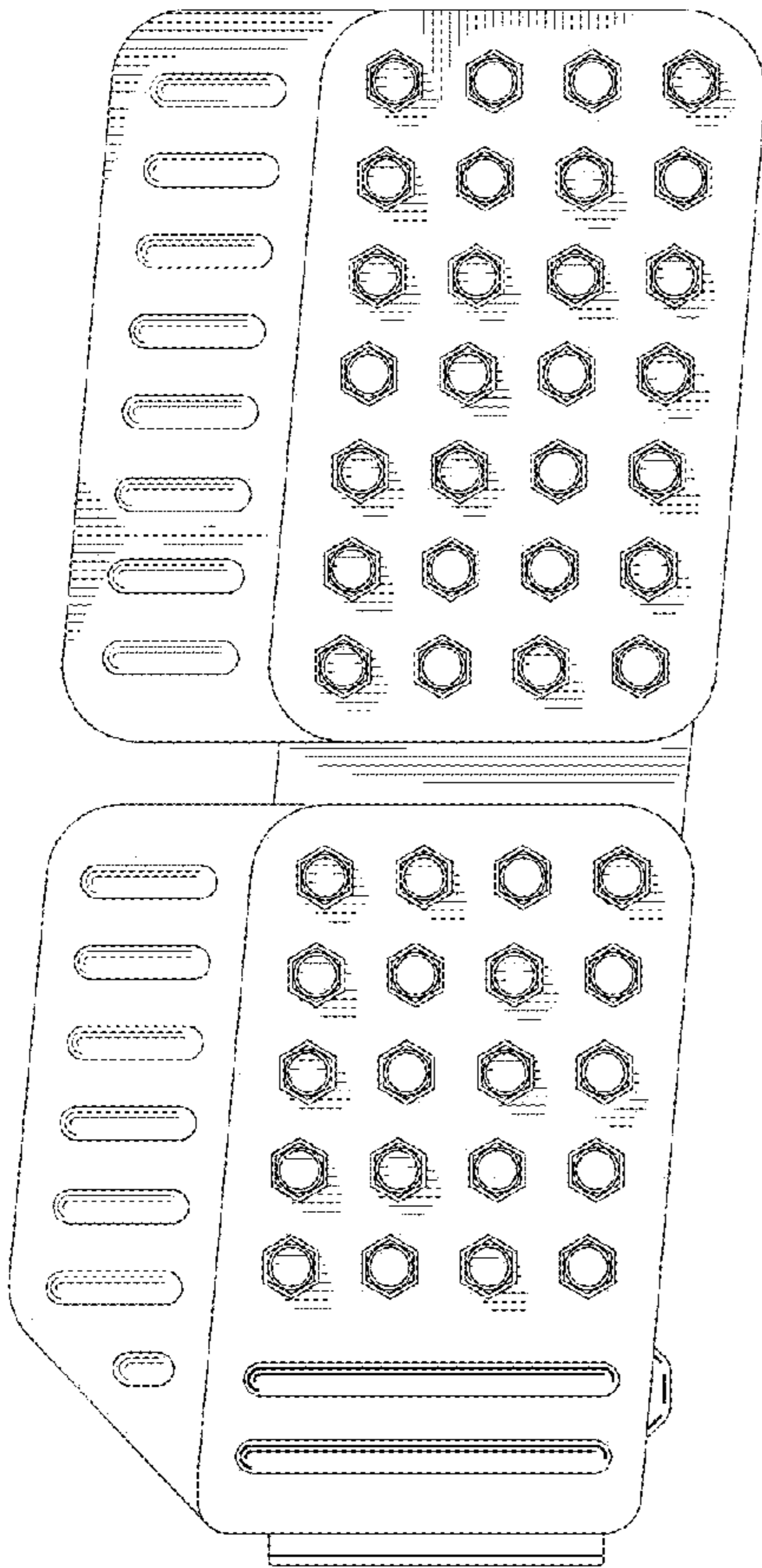


FIG. 2

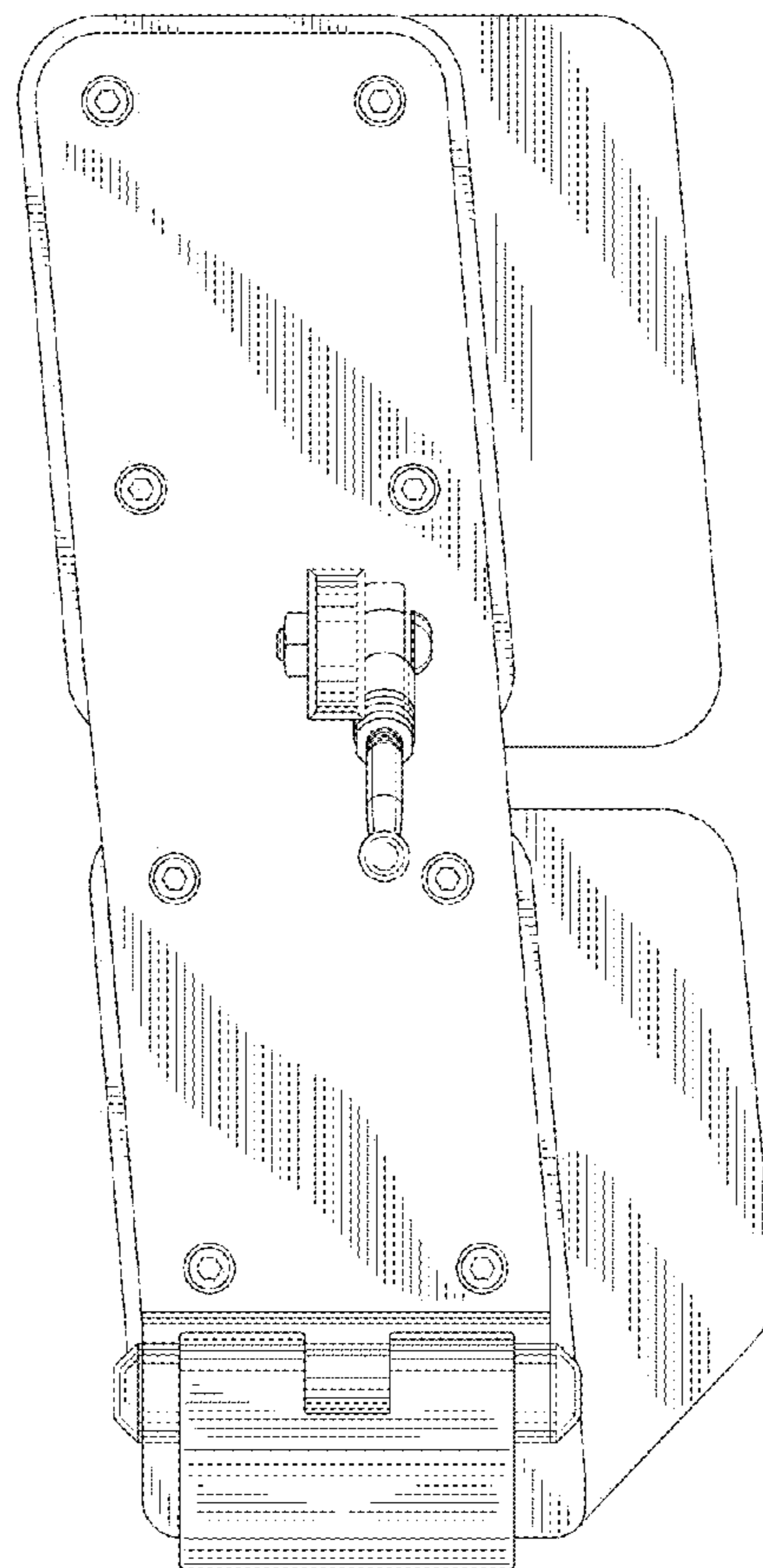


FIG. 3

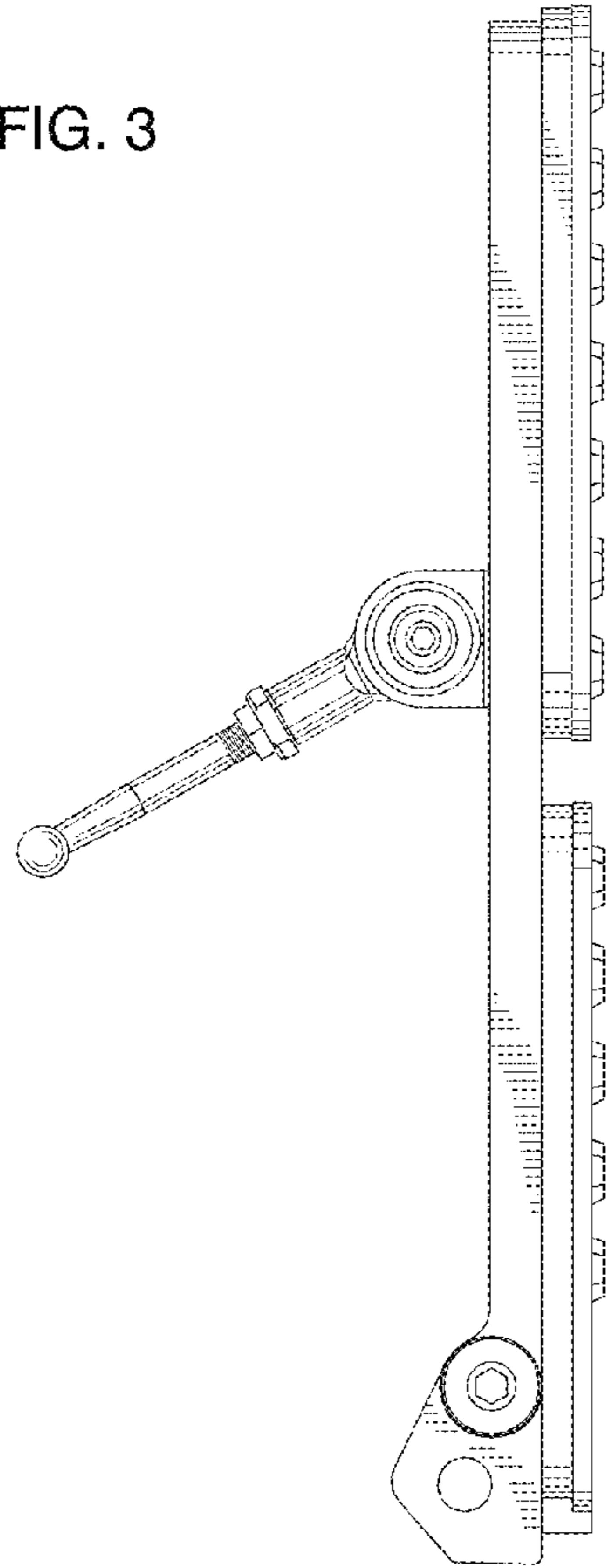


FIG. 4

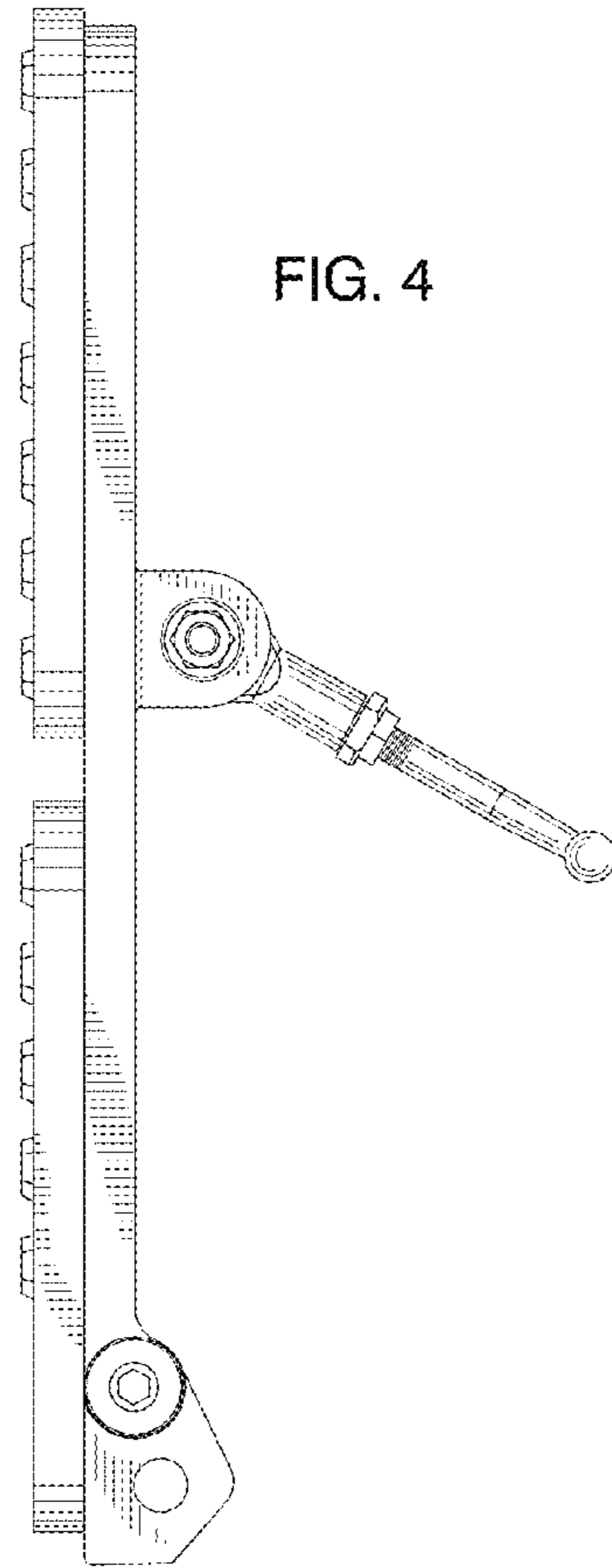


FIG. 5

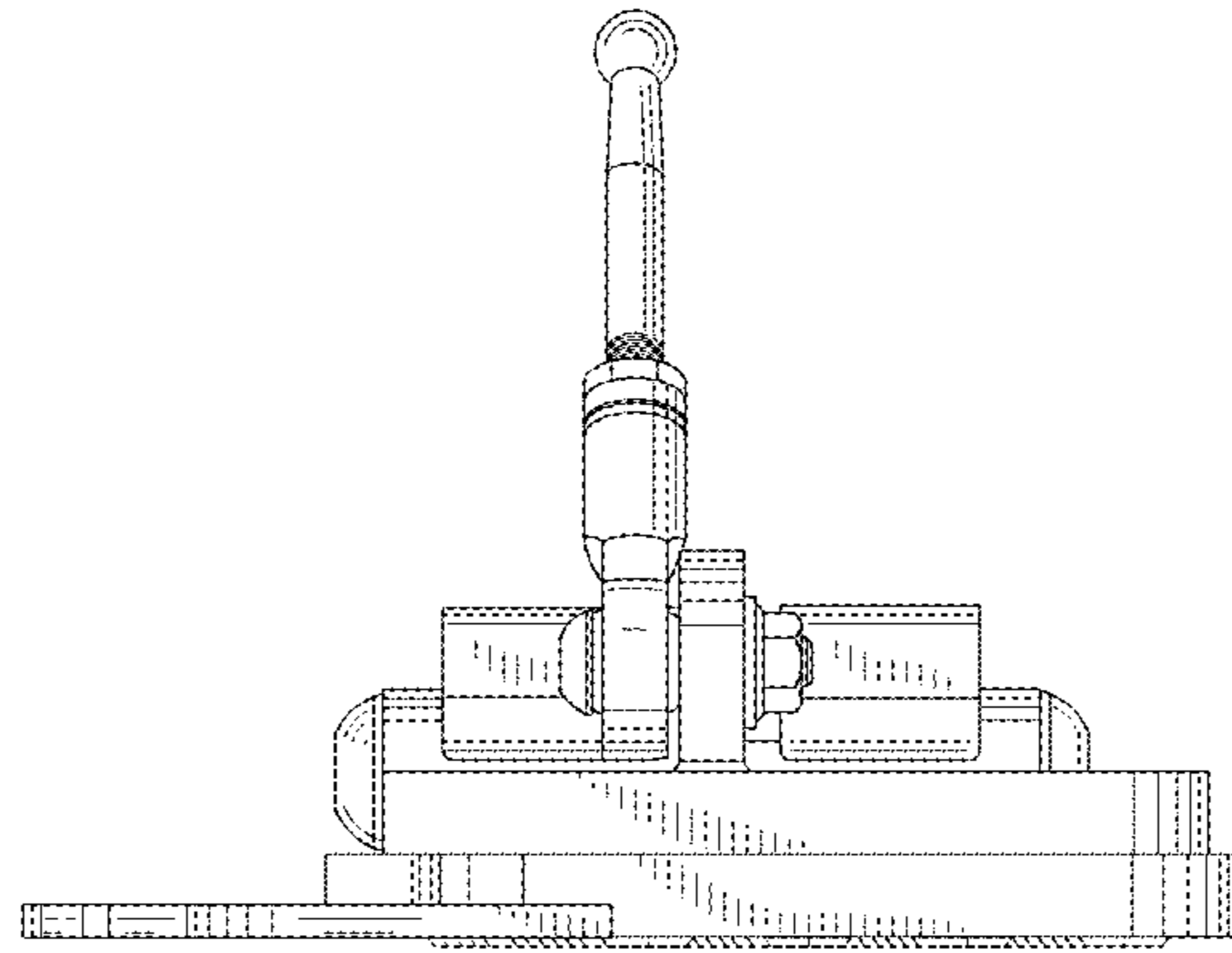


FIG. 6

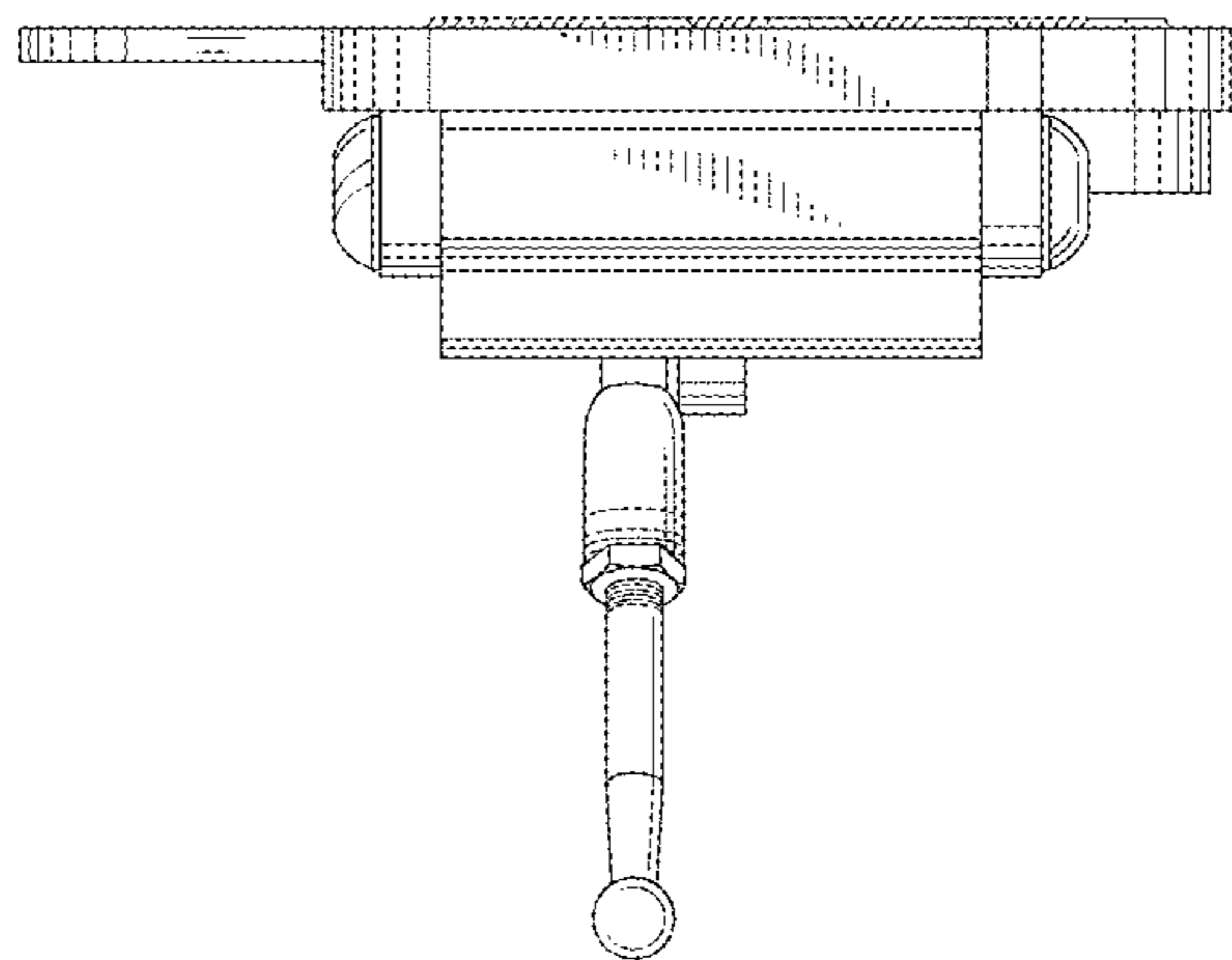


FIG. 7

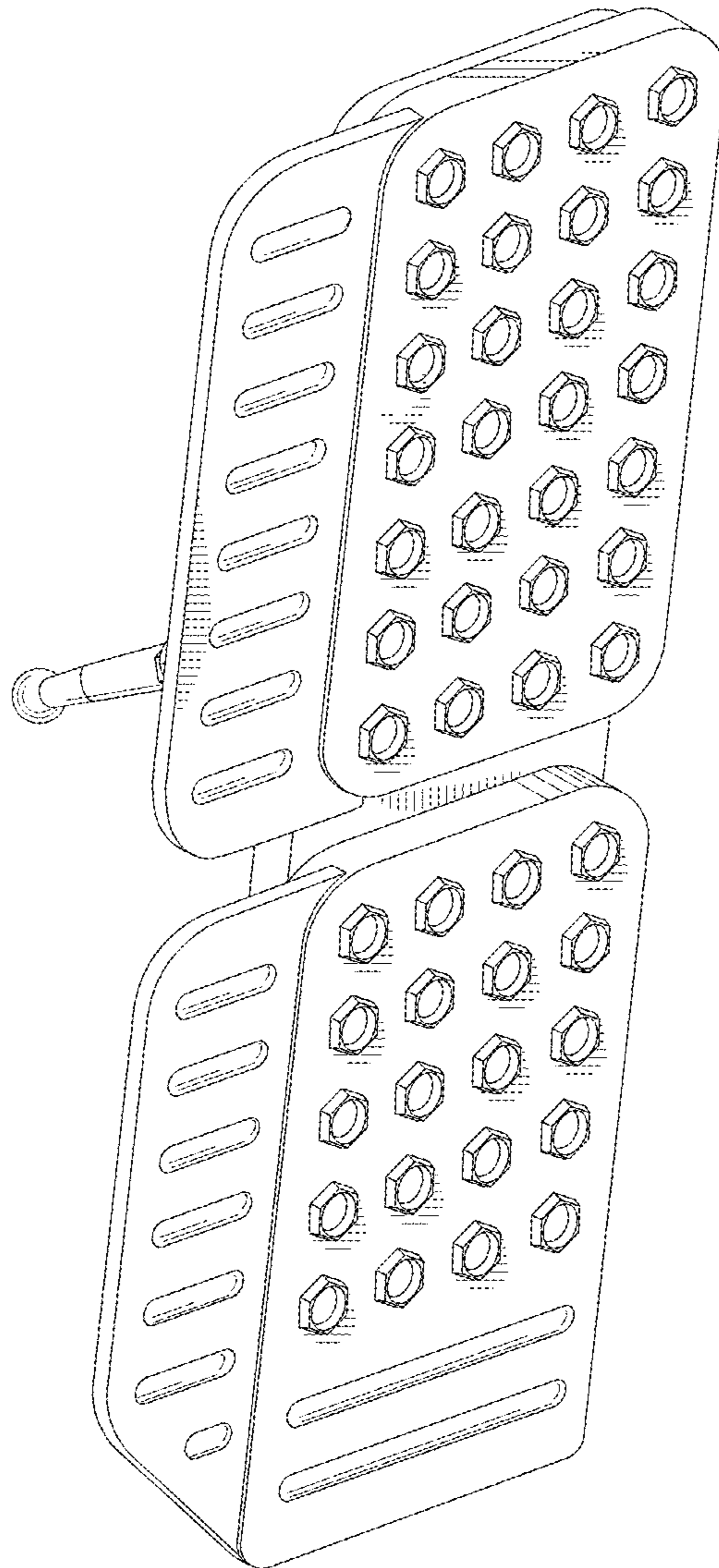


FIG. 8

