



US00D701805S

(12) **United States Design Patent**  
**Campbell et al.**

(10) **Patent No.:** **US D701,805 S**  
(45) **Date of Patent:** **\*\* Apr. 1, 2014**

(54) **VEHICLE REAR BUMPER COVER**

(71) Applicant: **Ford Global Technologies, LLC**,  
Dearborn, MI (US)  
(72) Inventors: **Paul Campbell**, Essex (GB); **Paul  
Jonathan Alexander Wraith**, Essex  
(GB); **Simon Collins**, Kent (GB)  
(73) Assignee: **Ford Motor Company**, Dearborn, MI  
(US)  
(\*\*) Term: **14 Years**

(21) Appl. No.: **29/436,096**

(22) Filed: **Nov. 1, 2012**

(30) **Foreign Application Priority Data**

May 4, 2012 (DE) ..... 40 2012 100 346

(51) **LOC (10) Cl.** ..... **12-16**

(52) **U.S. Cl.**  
USPC ..... **D12/169**

(58) **Field of Classification Search**  
USPC ..... D12/169, 196, 171, 216, 163, 86,  
D12/90-92; 293/102, 113, 115, 117, 120;  
296/180.1, 180.2

See application file for complete search history.

(56) **References Cited**

**U.S. PATENT DOCUMENTS**

D685,302 S \* 7/2013 Futschik et al. .... D12/169  
D688,993 S \* 9/2013 Campbell et al. .... D12/169  
D688,994 S \* 9/2013 Campbell et al. .... D12/169

**OTHER PUBLICATIONS**

Now on Jokeforblog, May 12, 2012 <http://jokeforblog.blogspot.com/2012/05/ford-transit-connect-leaked.html>.

Garage Car 2013 Ford Transit Shows the new generation Tourneo Custom Concept, Mar. 7, 2012 <http://nashvillestories.blogspot.com/2012/03/2013-ford-transit-shows-new-generation.html>.  
Ford Unveils All-New 2014 Transit, Transit Connect, Transit Courier Vans, Sep. 6, 2012 <http://rumors.automobilemag.com/ford-unveils-all-new-2013-transit-connect-for-europe-167369.html#axzz2KbpT6e2s>.  
CarAdvice Ford Transit Custom previews new commercial van range, Apr. 19, 2012 <http://www.caradvice.com.au/168987/ford-transit-custom-previews-new-commercial-van-range/ford-transit-custom-concept-4>.  
Ford Tourneo Custom Concept previews next-gen Transit range, Feb. 22, 2012 <http://www.gizmag.com/ford-tourneo-transit-private-commercial-van/21554/>.

\* cited by examiner

*Primary Examiner* — Melody Brown

(74) *Attorney, Agent, or Firm* — Damian Porcari

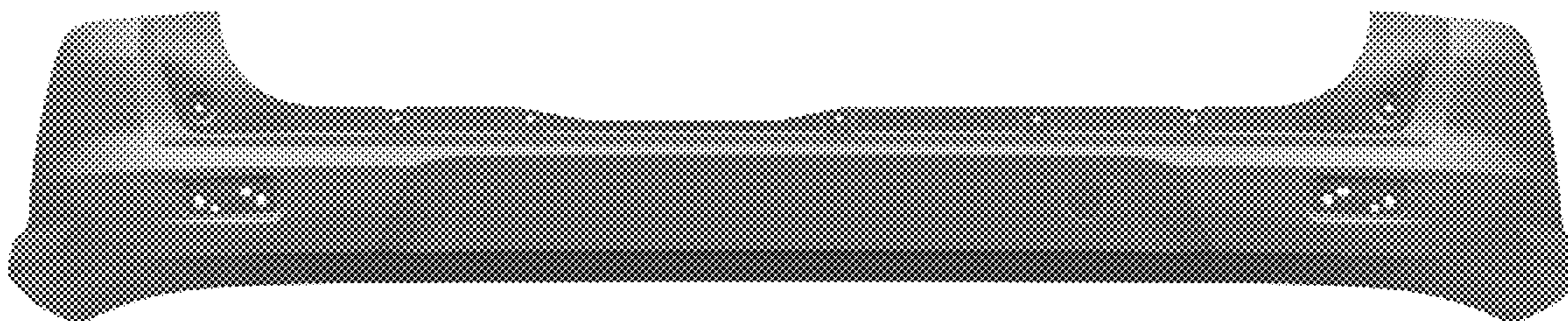
(57) **CLAIM**

The ornamental design for a vehicle rear bumper cover, shown and described.

**DESCRIPTION**

FIG. 1 is a top plan view of a vehicle rear bumper cover; FIG. 2 is a bottom plan view of the vehicle rear bumper cover; FIG. 3 is a front elevational view of the vehicle rear bumper cover; FIG. 4 is a left side elevational view of the vehicle rear bumper cover; FIG. 5 is a right side elevational view of the vehicle rear bumper cover; FIG. 6 is a perspective view of the vehicle rear bumper cover; and, FIG. 7 is another perspective view of the vehicle rear bumper cover.

**1 Claim, 7 Drawing Sheets**



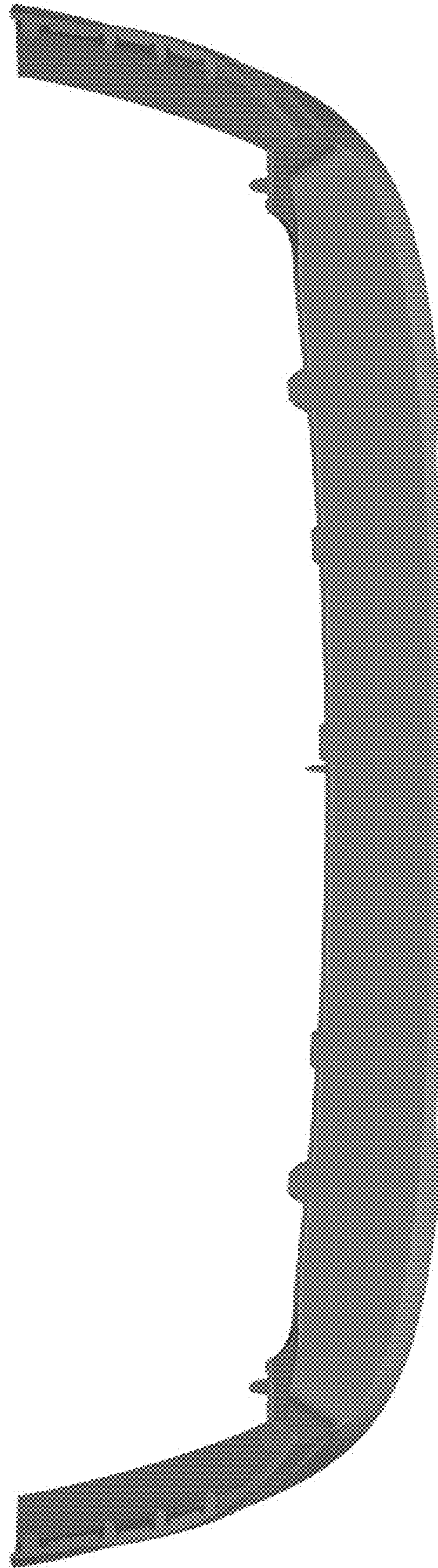
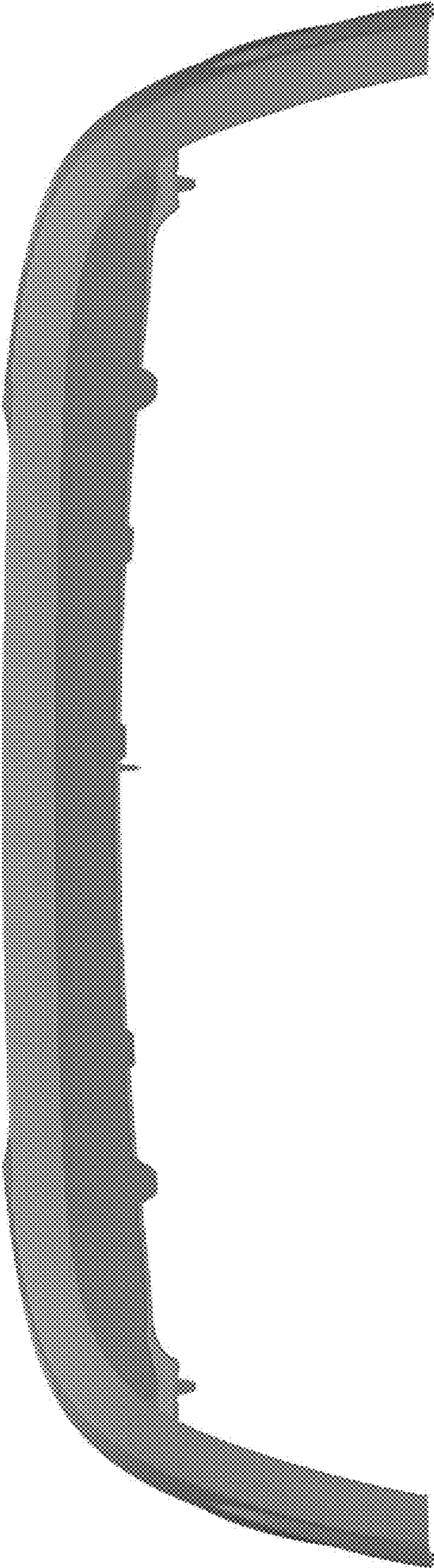


Figure 1

Figure 2



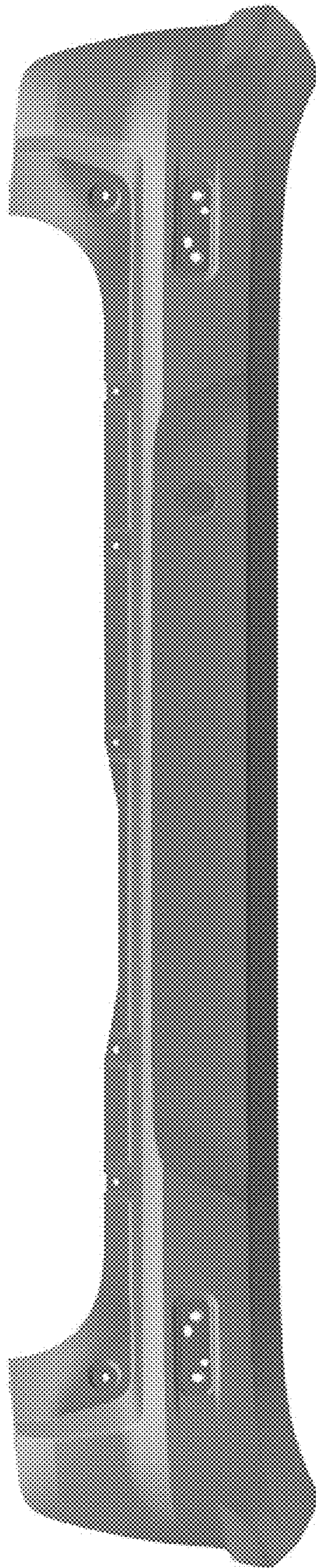


Figure 3

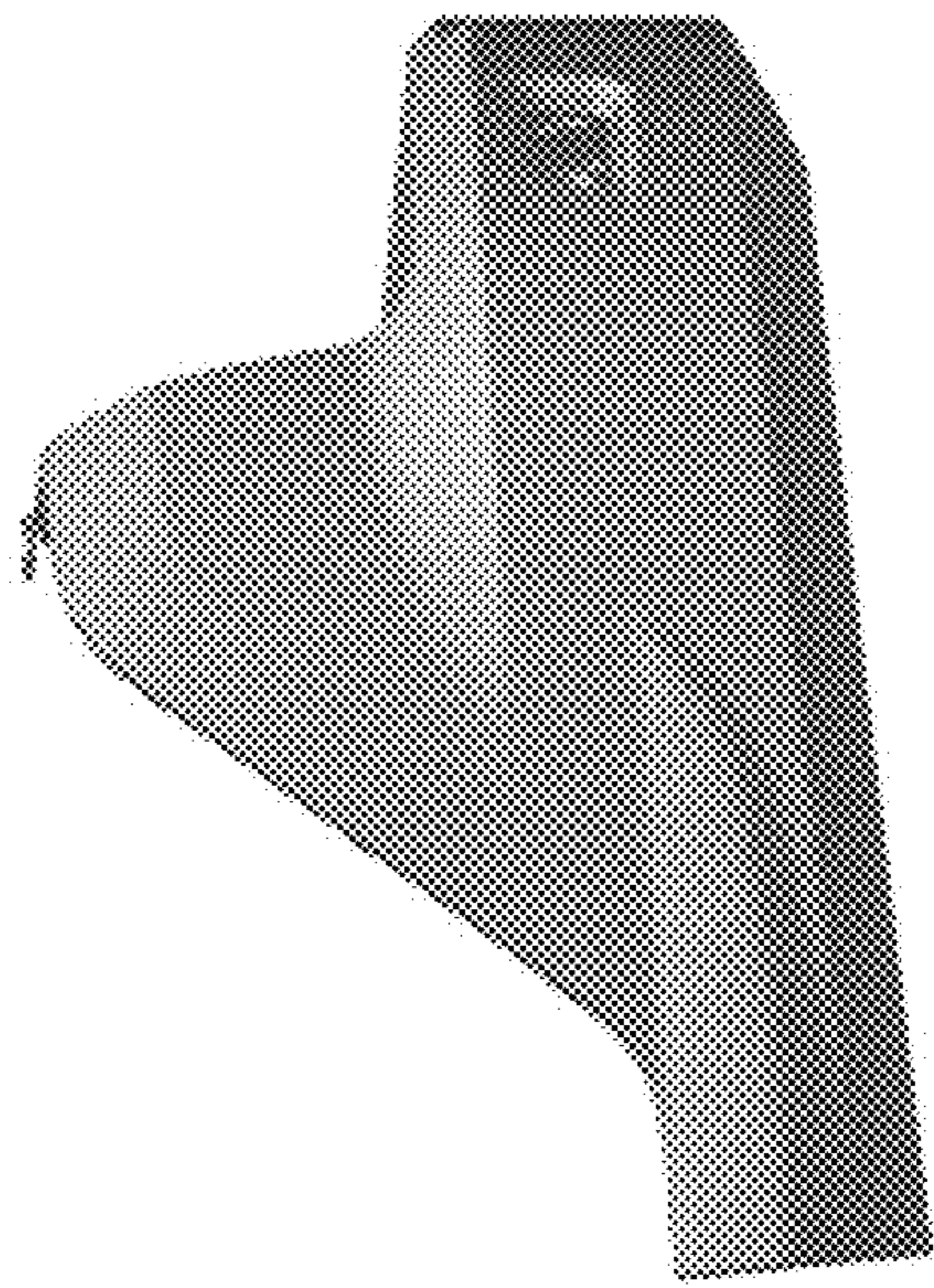
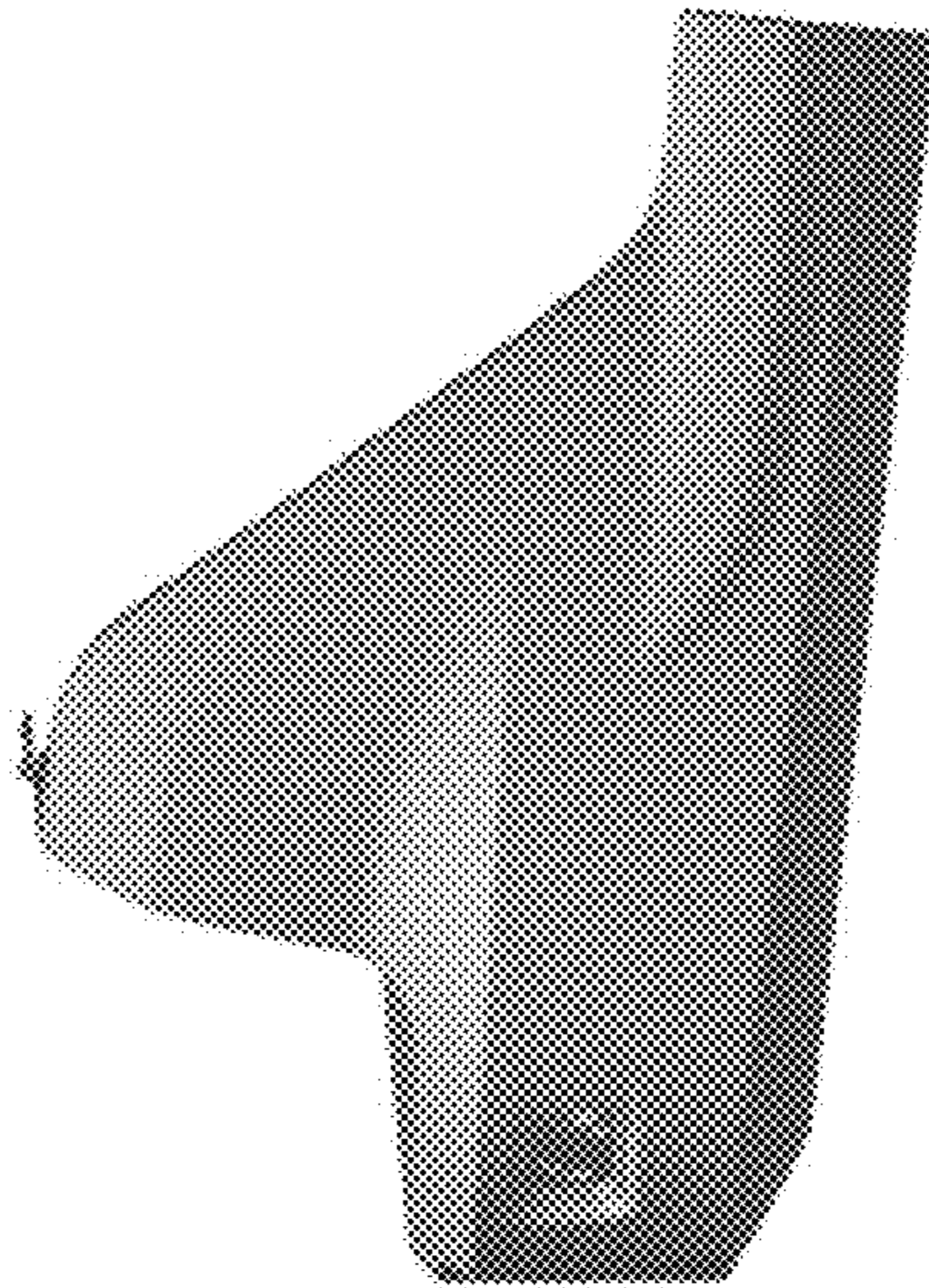


Figure 4



*Figure 5*



Figure 6

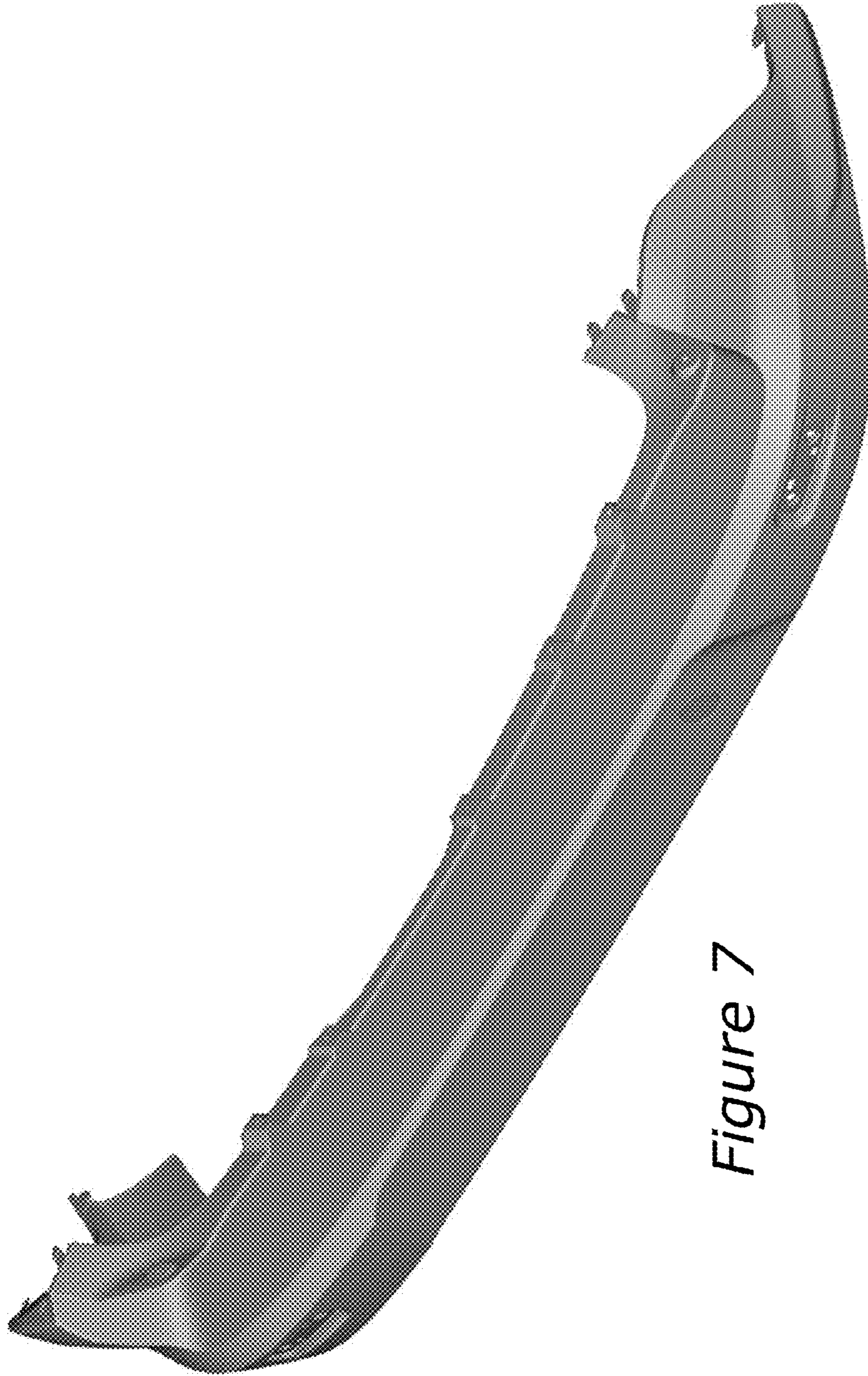


Figure 7