



US00D701801S

(12) **United States Design Patent**  
**Campbell et al.**

(10) **Patent No.:** **US D701,801 S**  
(45) **Date of Patent:** **\*\* Apr. 1, 2014**

(54) **VEHICLE FRONT UPPER BUMPER COVER**

(71) Applicant: **Ford Global Technologies, LLC**,  
Dearborn, MI (US)

(72) Inventors: **Paul Campbell**, Essex (GB); **Jordan Bennett**, London (GB)

(73) Assignee: **Ford Motor Company**, Dearborn, MI (US)

(\*\*) Term: **14 Years**

(21) Appl. No.: **29/435,938**

(22) Filed: **Oct. 31, 2012**

(30) **Foreign Application Priority Data**

May 4, 2012 (DE) ..... 402012100339

(51) **LOC (10) Cl.** ..... **12-16**

(52) **U.S. Cl.**  
USPC ..... **D12/169**

(58) **Field of Classification Search**  
USPC ..... D12/169, 196, 171, 216, 163, 86,  
D12/90-92; 293/102, 113, 115, 117, 120;  
296/180.1, 180.2

See application file for complete search history.

(56) **References Cited**

U.S. PATENT DOCUMENTS

D634,679 S \* 3/2011 Lamm et al. .... D12/169  
D677,200 S \* 3/2013 Hamilton et al. .... D12/169  
D678,141 S \* 3/2013 Behmer et al. .... D12/169  
D680,922 S \* 4/2013 Jara ..... D12/169

\* cited by examiner

*Primary Examiner* — Melody Brown

(74) *Attorney, Agent, or Firm* — Damian Porcari

(57) **CLAIM**

The ornamental design for a vehicle front upper bumper cover, shown and described.

**DESCRIPTION**

FIG. 1 is a top plan view of a vehicle front upper bumper cover;

FIG. 2 is a bottom plan view of the vehicle front upper bumper cover;

FIG. 3 is a front elevational view of the vehicle front upper bumper cover;

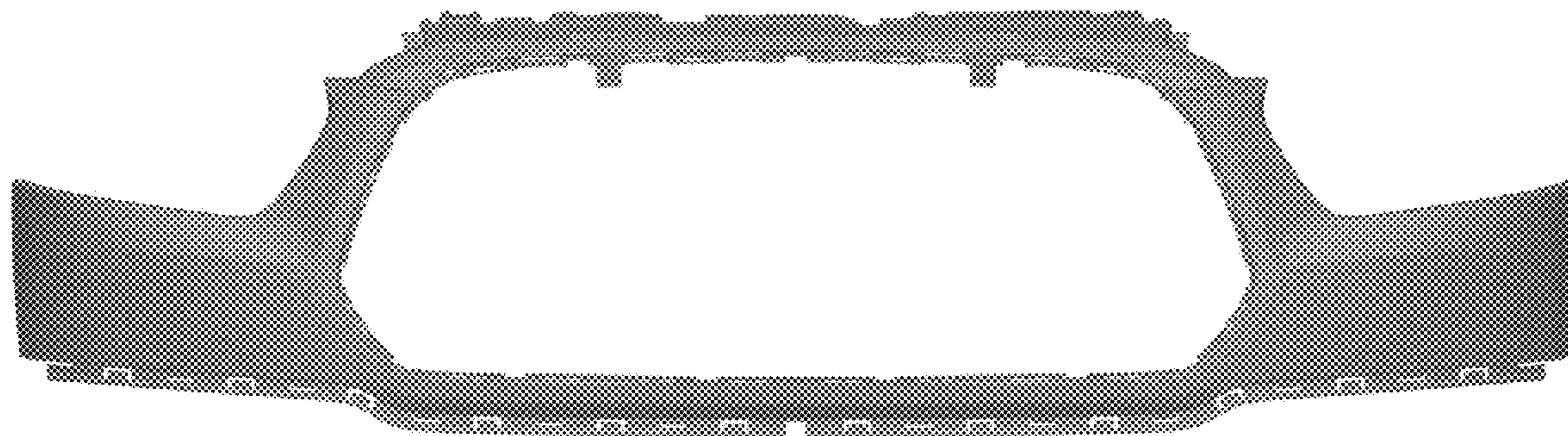
FIG. 4 is a left side elevational view of the vehicle front upper bumper cover;

FIG. 5 is a right side elevational view of the vehicle front upper bumper cover;

FIG. 6 is a perspective view of the vehicle front upper bumper cover; and,

FIG. 7 is another perspective view of the vehicle front upper bumper cover.

**1 Claim, 7 Drawing Sheets**



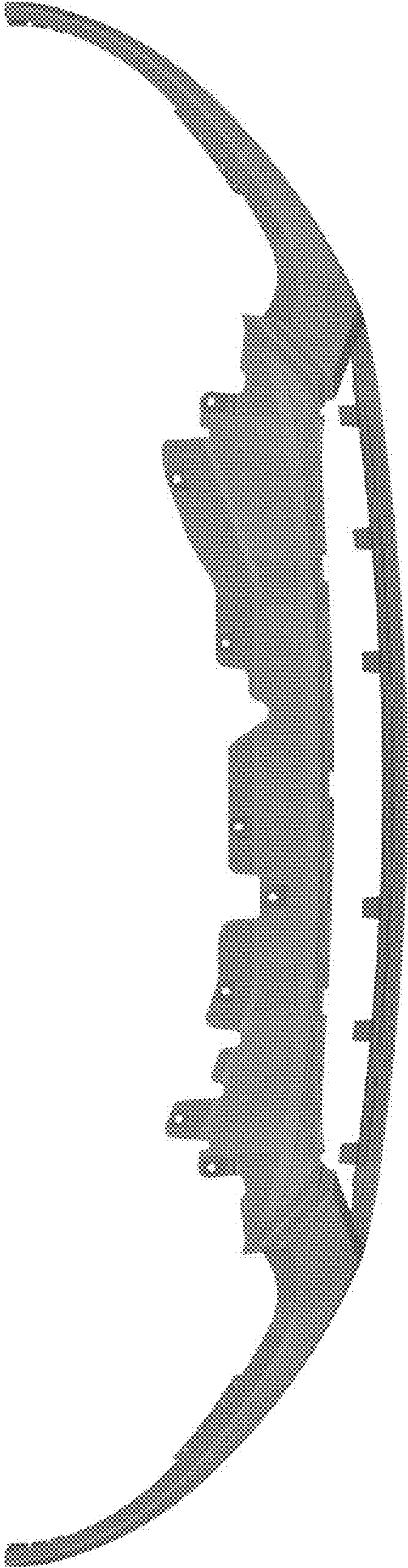
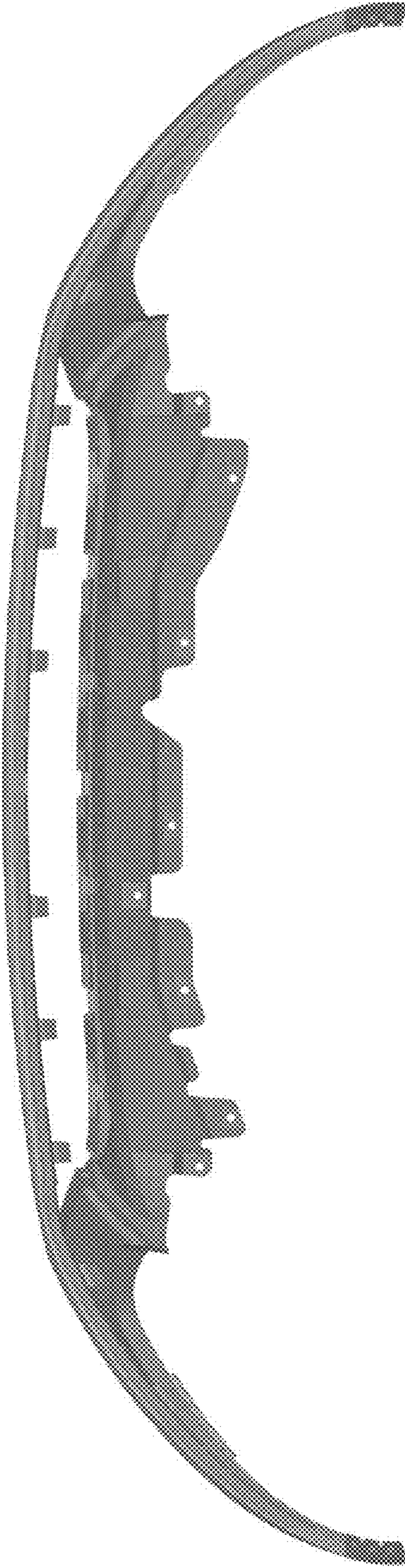


Figure 1

Figure 2



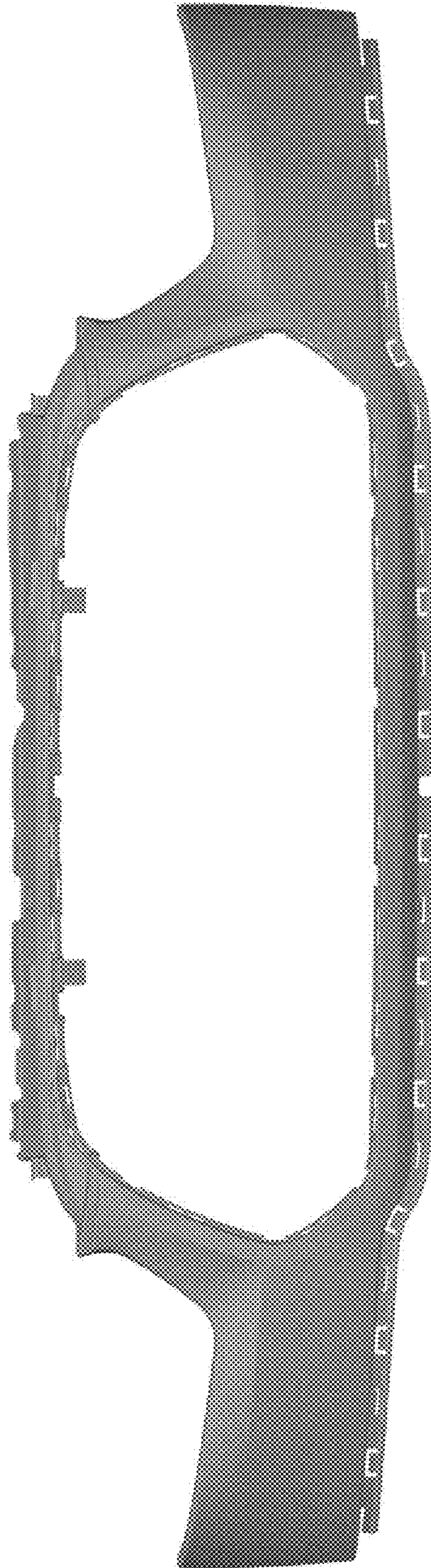


Figure 3

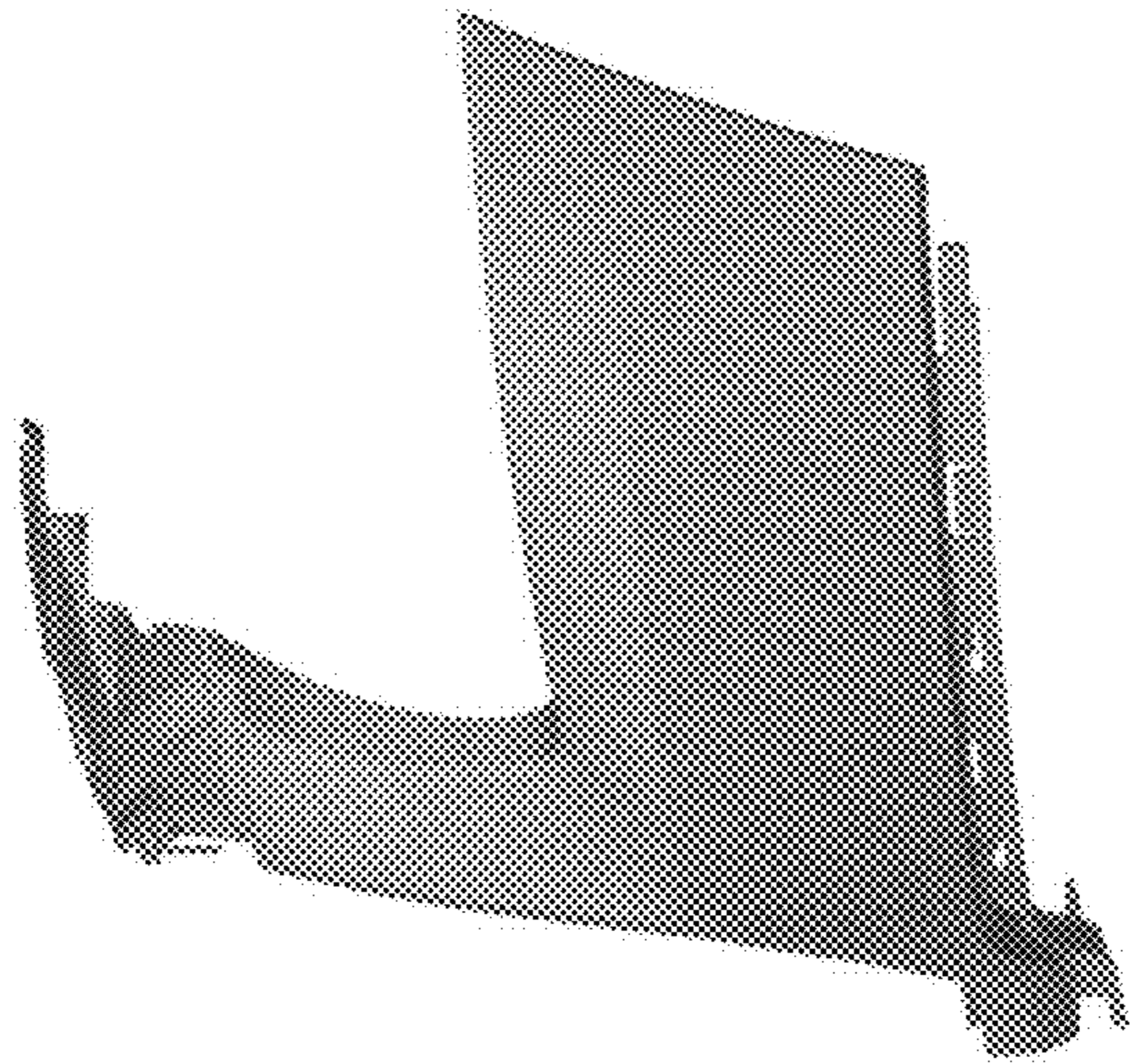


Figure 4

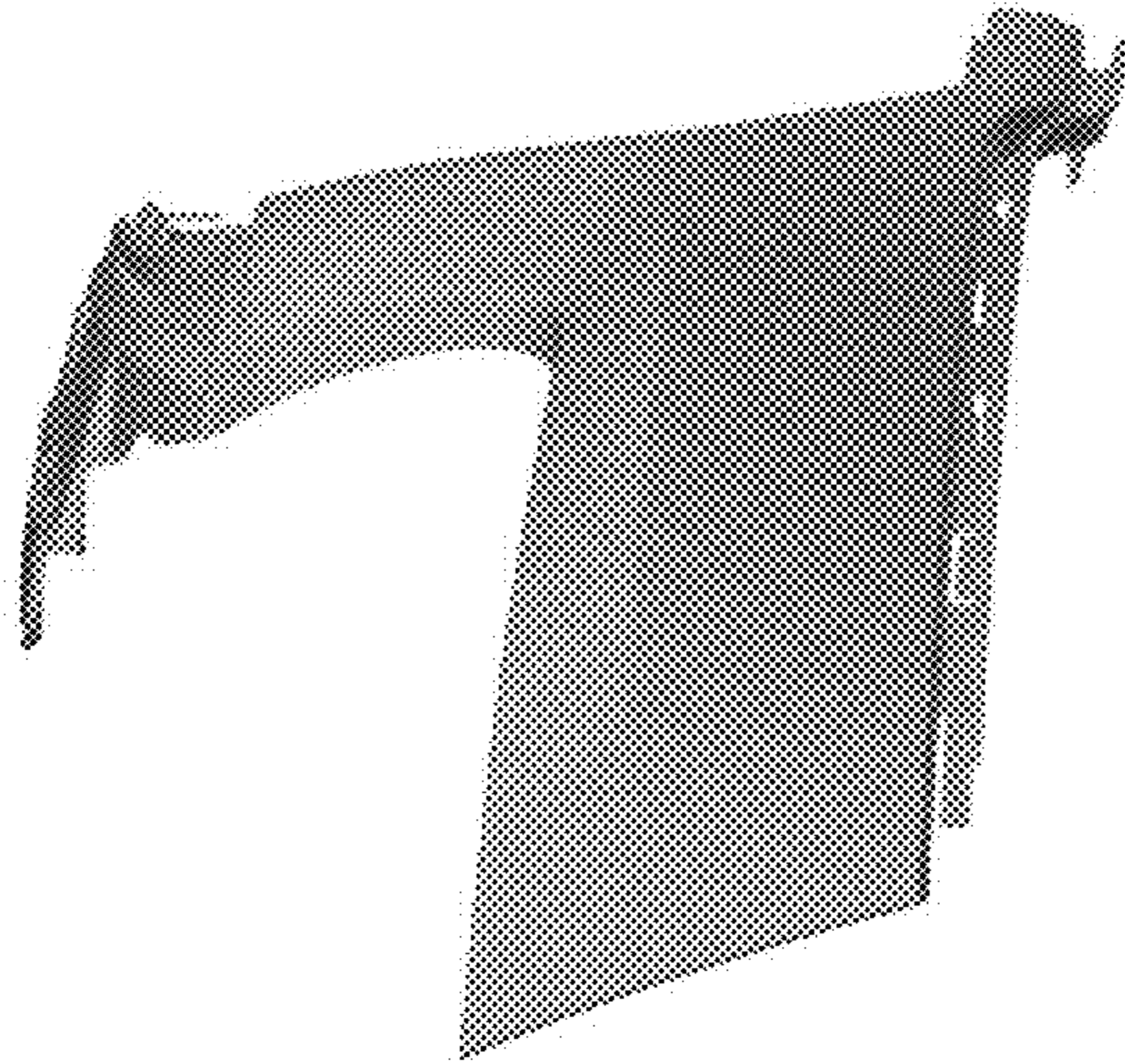


Figure 5

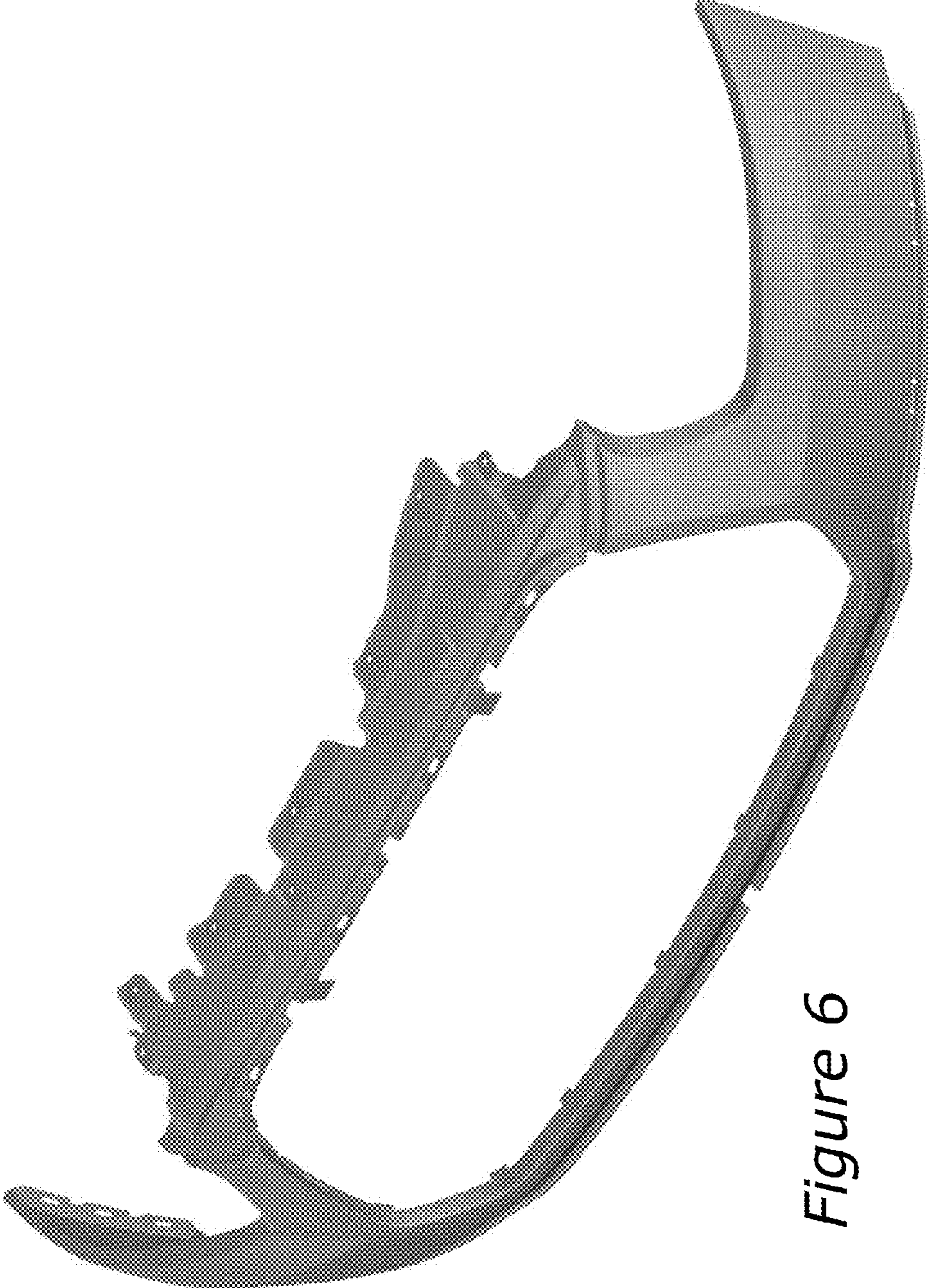


Figure 6

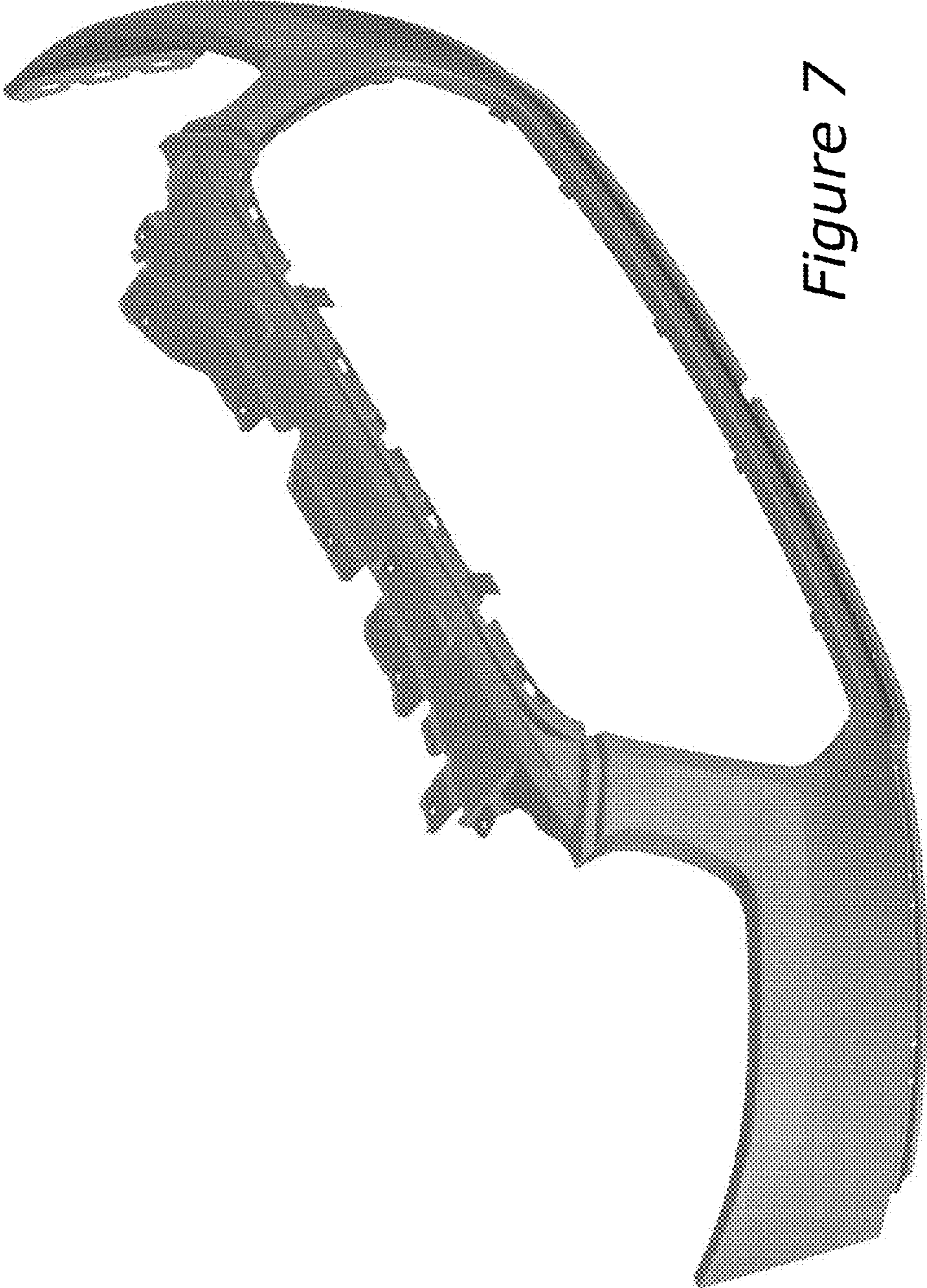


Figure 7