



US00D701796S

(12) **United States Design Patent**
Cao et al.

(10) **Patent No.:** **US D701,796 S**
(45) **Date of Patent:** **** Apr. 1, 2014**

(54) **WHEEL SUSPENSION AND DRIVE SYSTEM**

(71) Applicant: **T3 Motion, Inc.**, Costa Mesa, CA (US)

(72) Inventors: **Kenneth Tien Cao**, Laguna Niguel, CA (US); **Hung Pham**, Stanton, CA (US); **Richard Taras**, Anaheim, CA (US)

(73) Assignee: **T3 Motion, Inc.**, Costa Mesa, CA (US)

(**) Term: **14 Years**

(21) Appl. No.: **29/433,682**

(22) Filed: **Oct. 3, 2012**

(51) **LOC (10) Cl.** **12-16**

(52) **U.S. Cl.**
USPC **D12/159**

(58) **Field of Classification Search**
USPC D12/159; 280/124.155, 124.147,
280/124.145, 124.146, 86.752, 11.225;
188/281, 298, 297, 315, 316, 274, 286;
267/195, 136, 64.15, 217;
180/210-217, 65.1, 65.51

See application file for complete search history.

(56) **References Cited**

U.S. PATENT DOCUMENTS

3,190,676	A	6/1965	Junge	
3,433,318	A	3/1969	Packard	
3,512,599	A	5/1970	Hott et al.	
3,570,620	A	3/1971	Fisher et al.	
3,964,563	A	6/1976	Allen	
4,263,977	A	4/1981	Willett	
4,541,501	A	9/1985	Kawasaki	
5,307,889	A	5/1994	Bohannan	
5,960,901	A *	10/1999	Hanagan	180/210
7,237,637	B2	7/2007	Fecteau et al.	

7,789,175	B2 *	9/2010	Tobey et al.	180/65.1
7,841,436	B2 *	11/2010	Bussinger	180/214
8,292,010	B2 *	10/2012	Puskar-Pasewicz et al.	180/65.1
8,397,854	B1 *	3/2013	Nam et al.	180/213
8,561,736	B2 *	10/2013	Nelson et al.	180/65.1
2010/0071983	A1 *	3/2010	Holland	180/215
2010/0292840	A1 *	11/2010	Ruan et al.	700/259
2013/0025957	A1 *	1/2013	Ellsworth	180/210
2013/0175103	A1 *	7/2013	Flowers	180/65.1

OTHER PUBLICATIONS

“Office Action Dated Aug. 14, 2013; U.S. Appl. No. 13/468,875”, (Aug. 14, 2013).

“Notice of Allowance Dated Nov. 13, 2012, U.S. Appl. No. 13/405,127” (Nov. 13, 2012).

* cited by examiner

Primary Examiner — Michael A Pratt

(74) *Attorney, Agent, or Firm* — Blakely Sokoloff Taylor & Zafman LLP

(57) **CLAIM**

The ornamental design for a wheel suspension and drive system, as shown and described.

DESCRIPTION

FIG. 1 is a first side perspective view of a wheel suspension and drive system;

FIG. 2 is a second side perspective view thereof;

FIG. 3 is a first side view thereof;

FIG. 4 is a second side view thereof;

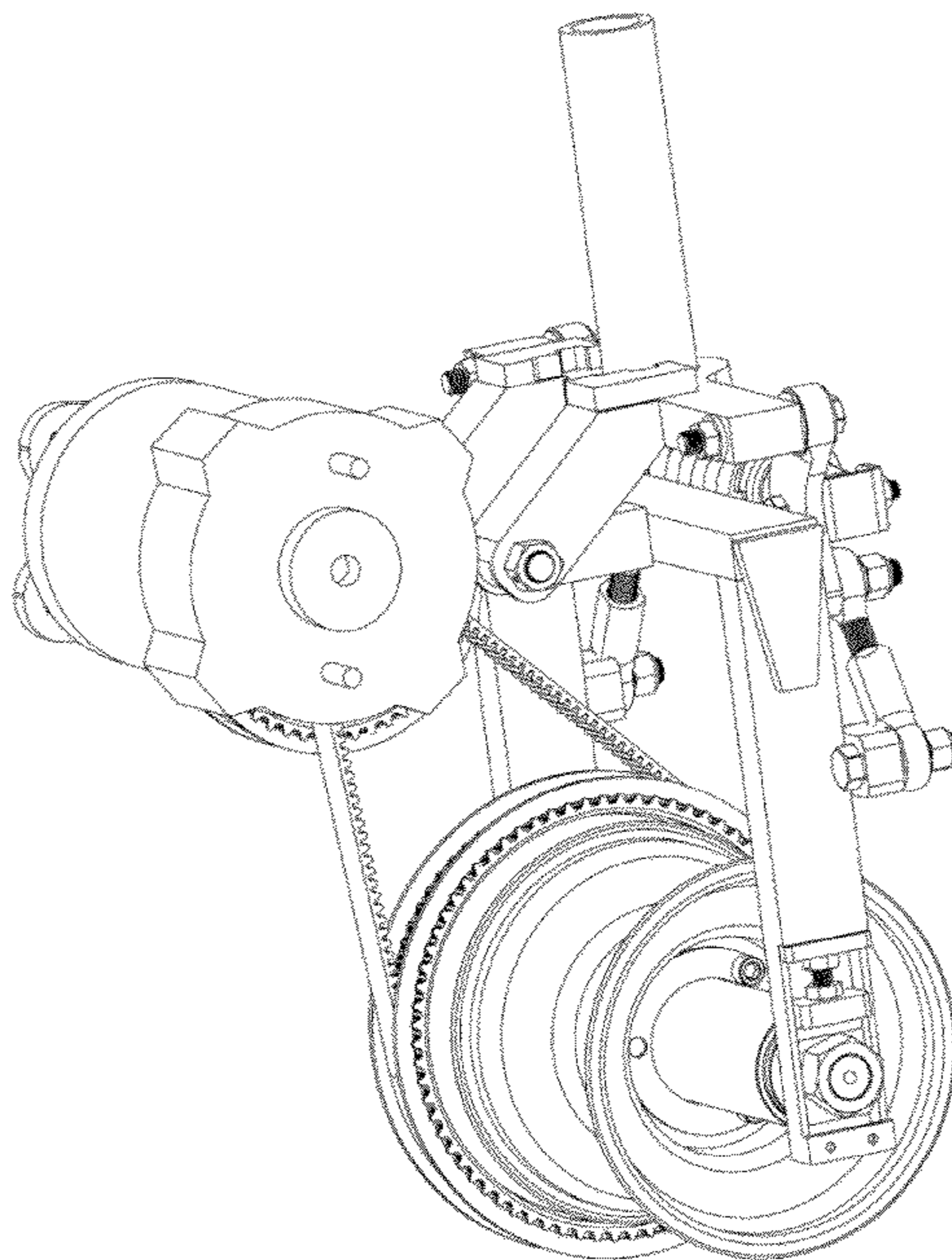
FIG. 5 is a top view thereof;

FIG. 6 is a bottom view thereof;

FIG. 7 is a front view thereof; and,

FIG. 8 is a rear view thereof.

1 Claim, 8 Drawing Sheets



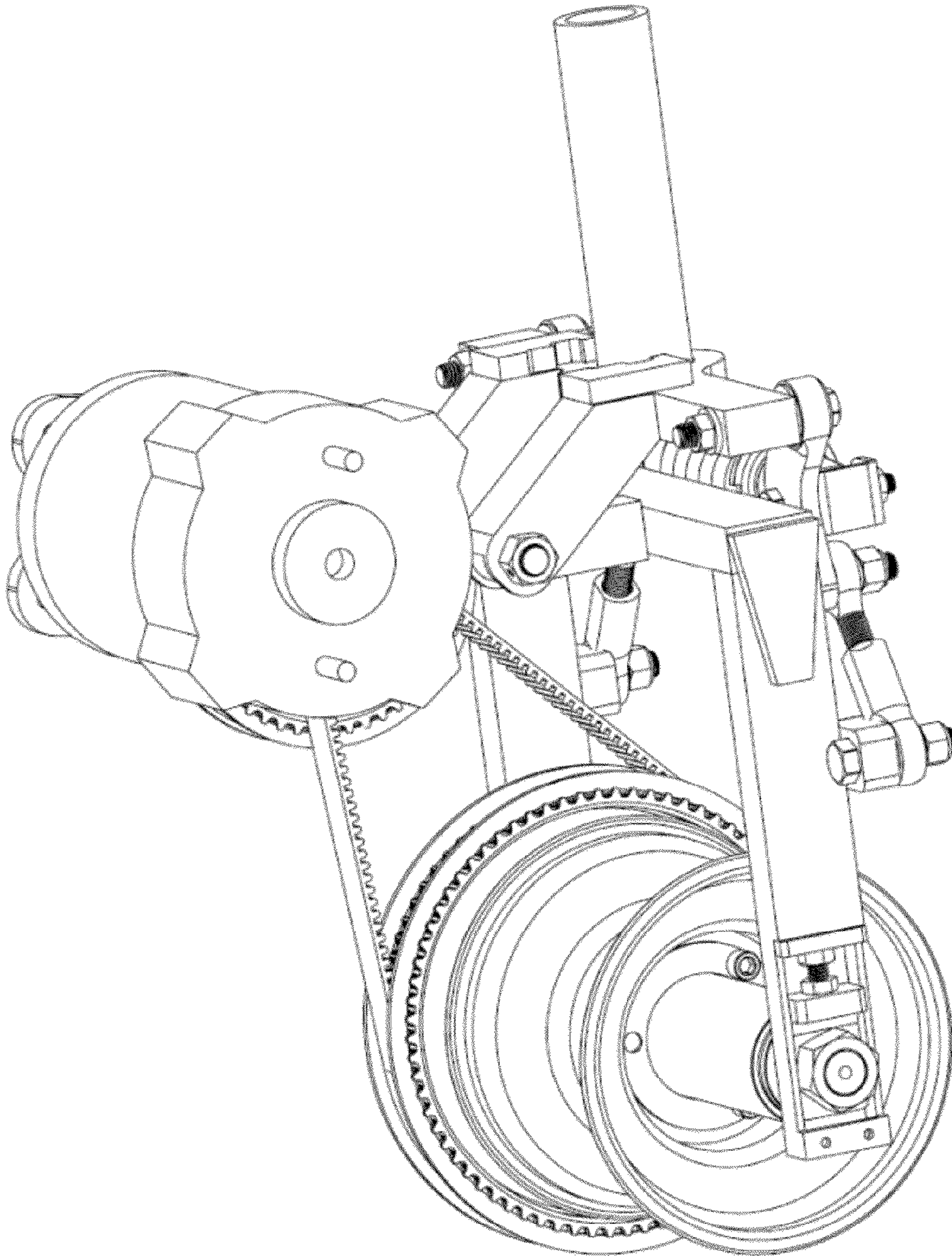


Fig. 1

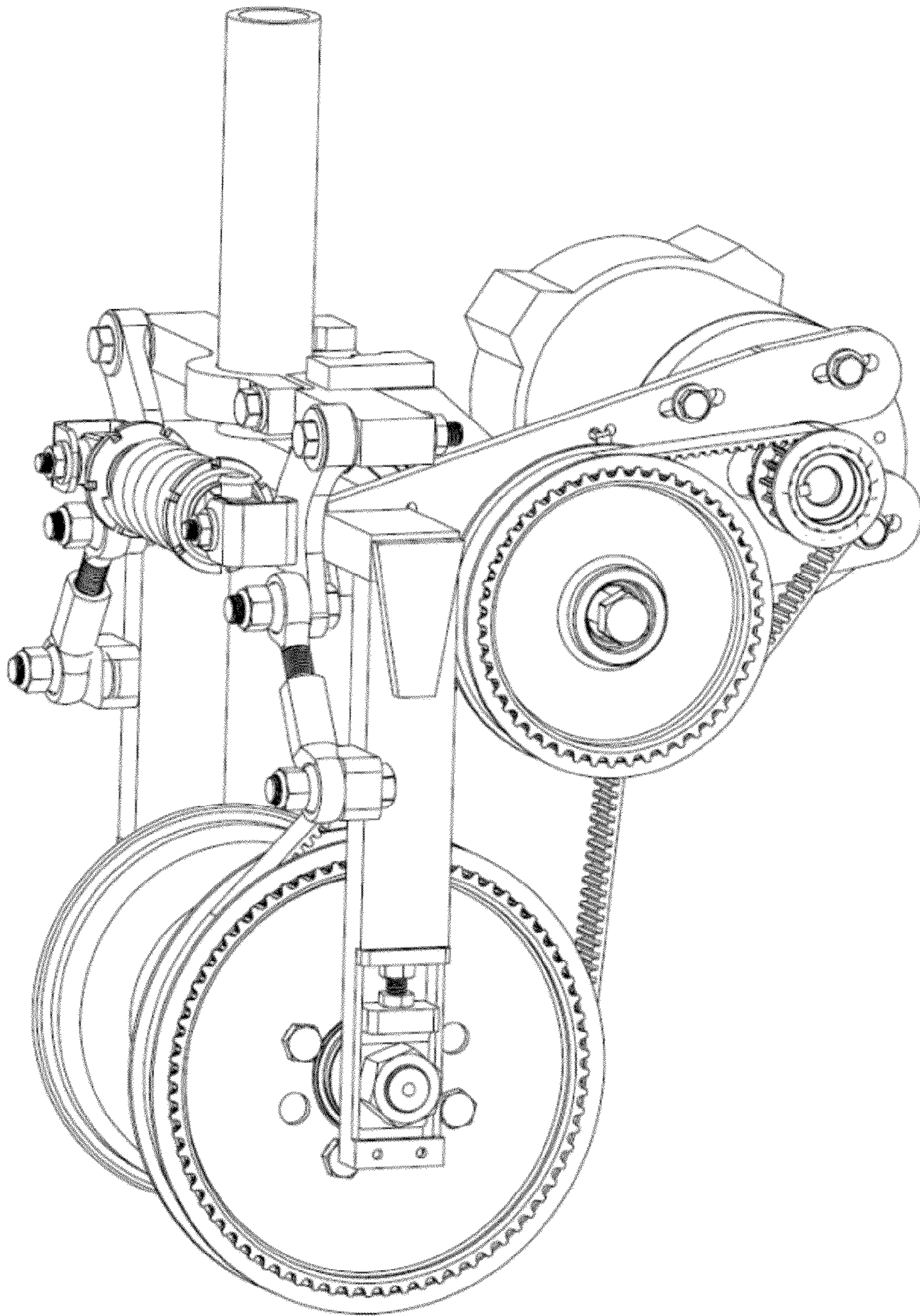


Fig. 2

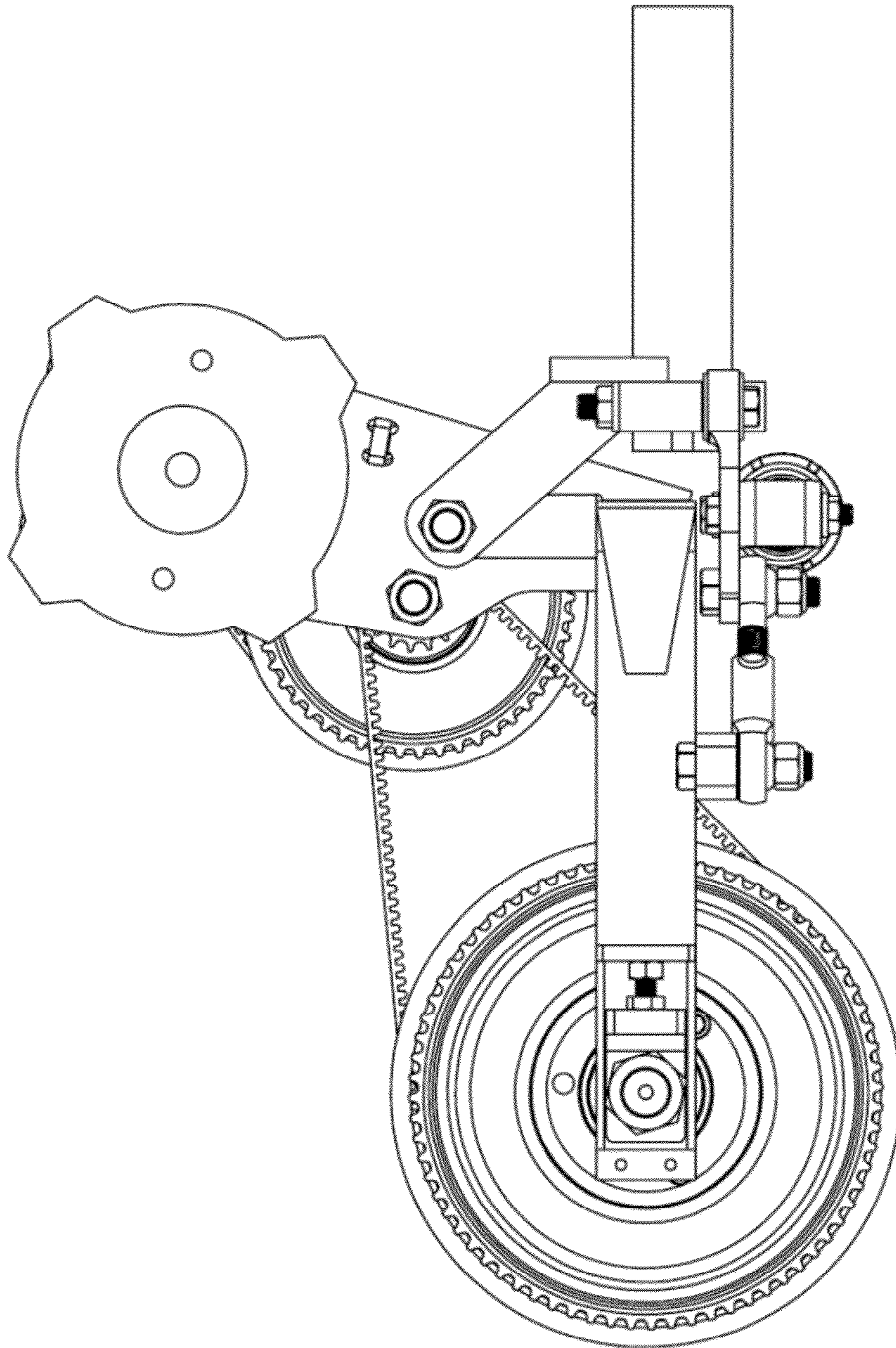


Fig. 3

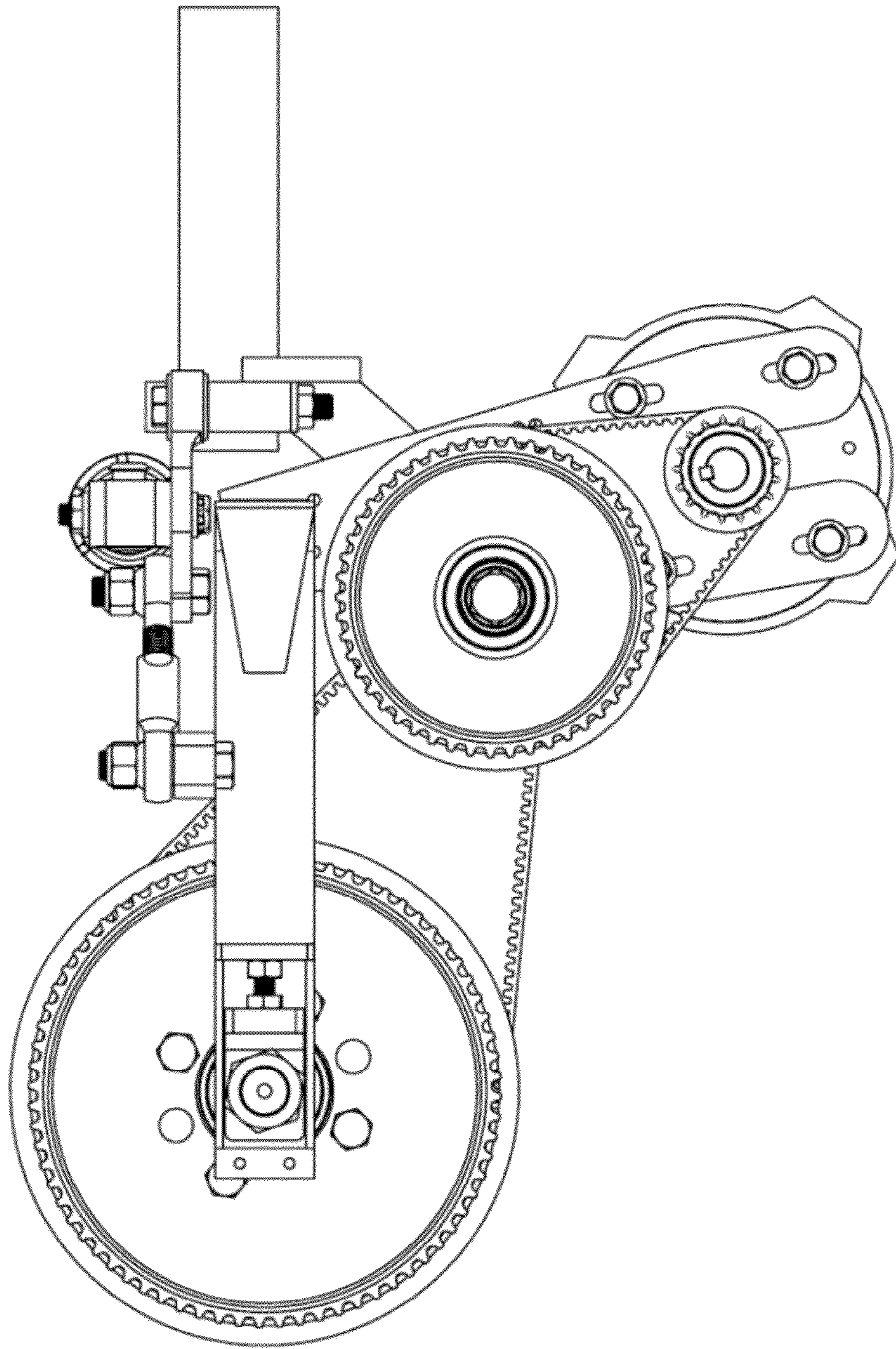


Fig. 4

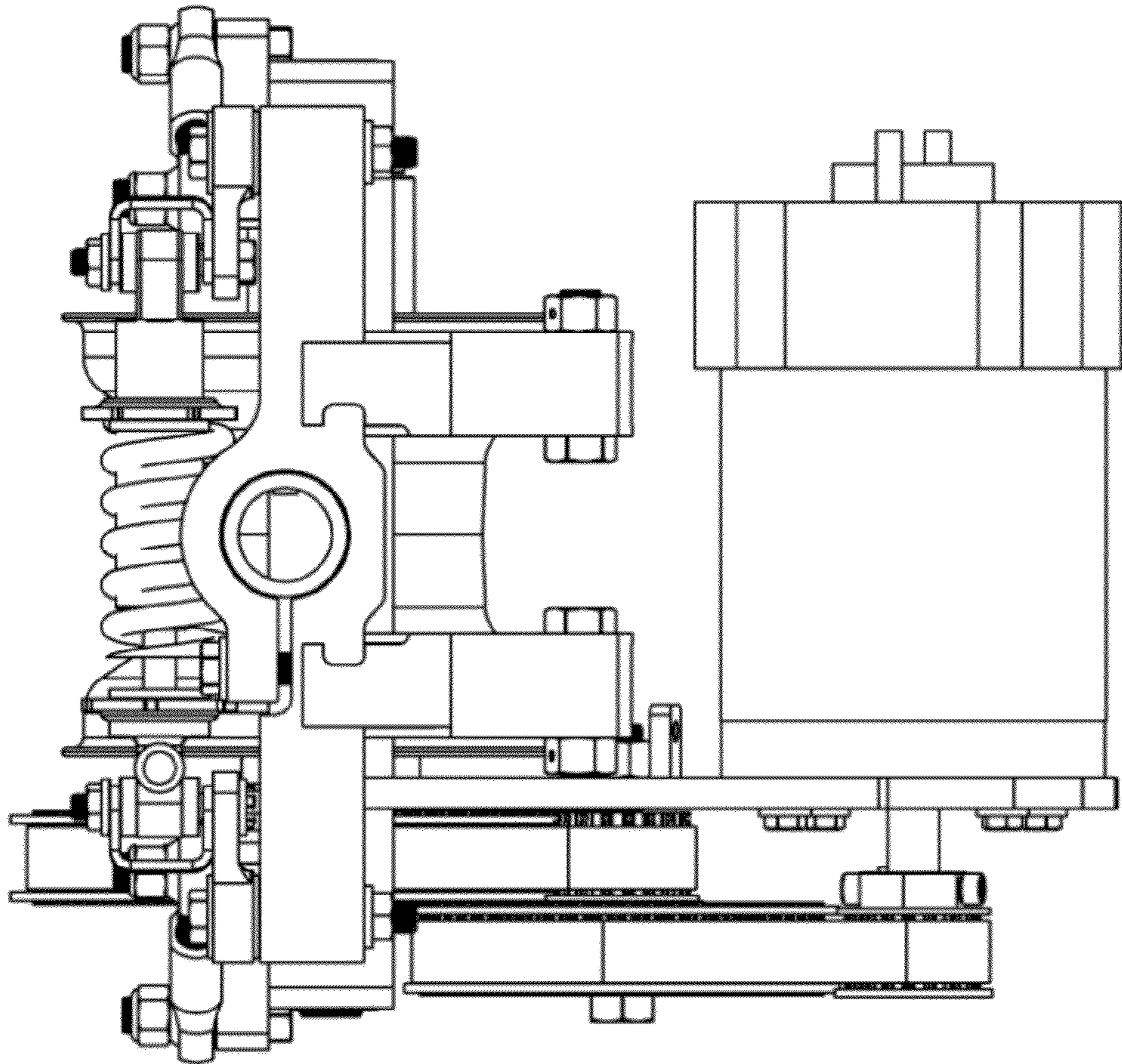


Fig. 5

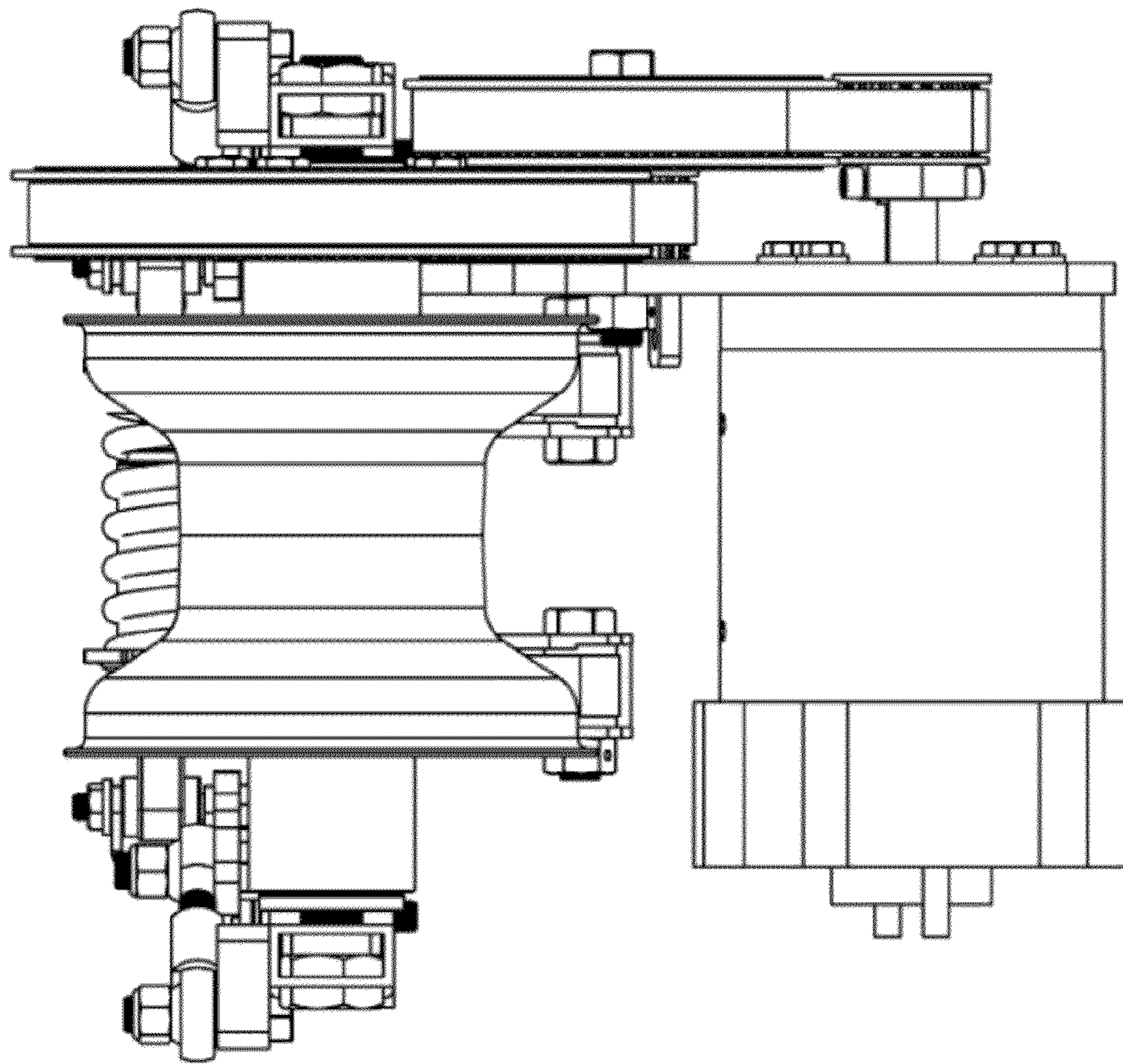


Fig. 6

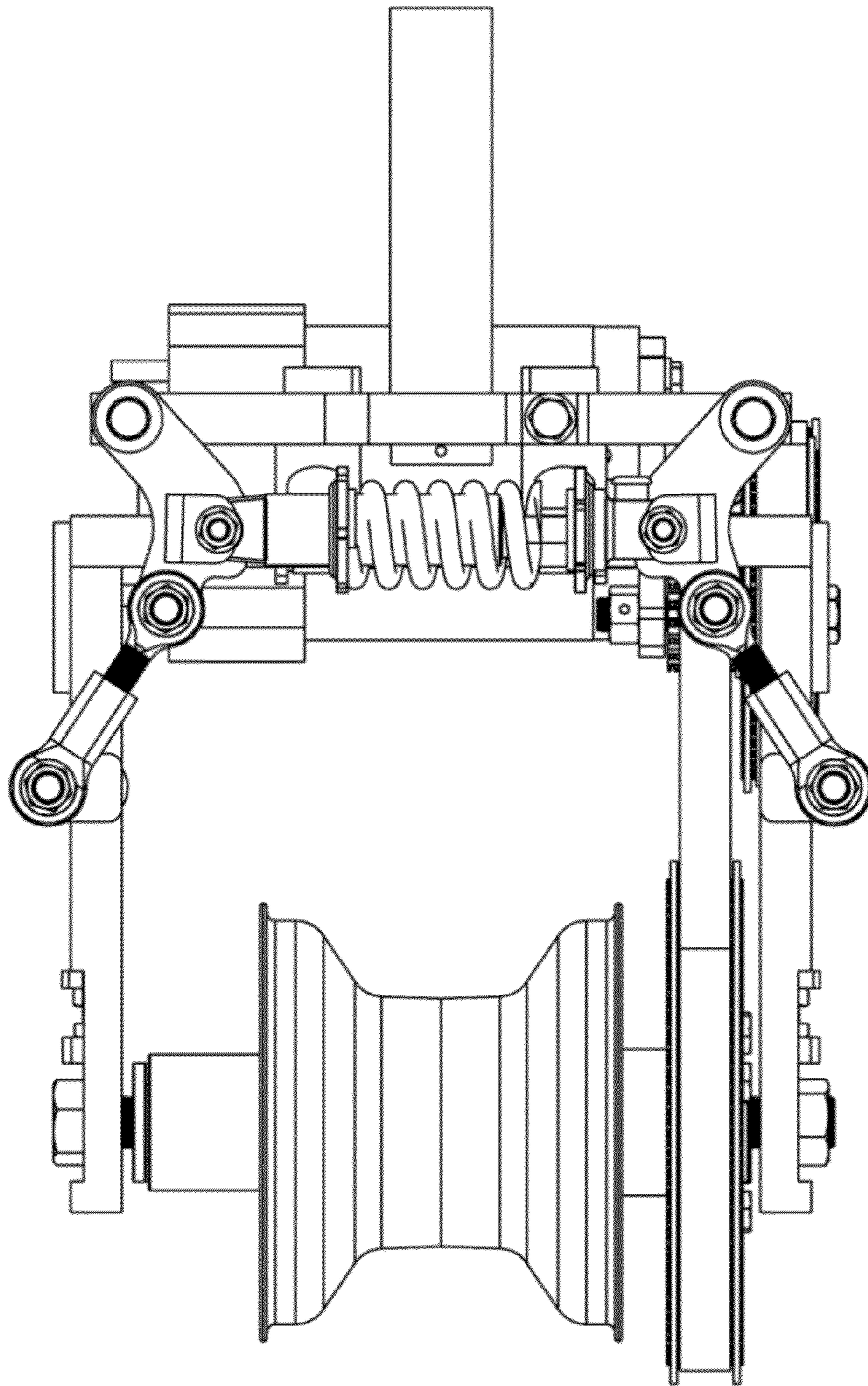


Fig. 7

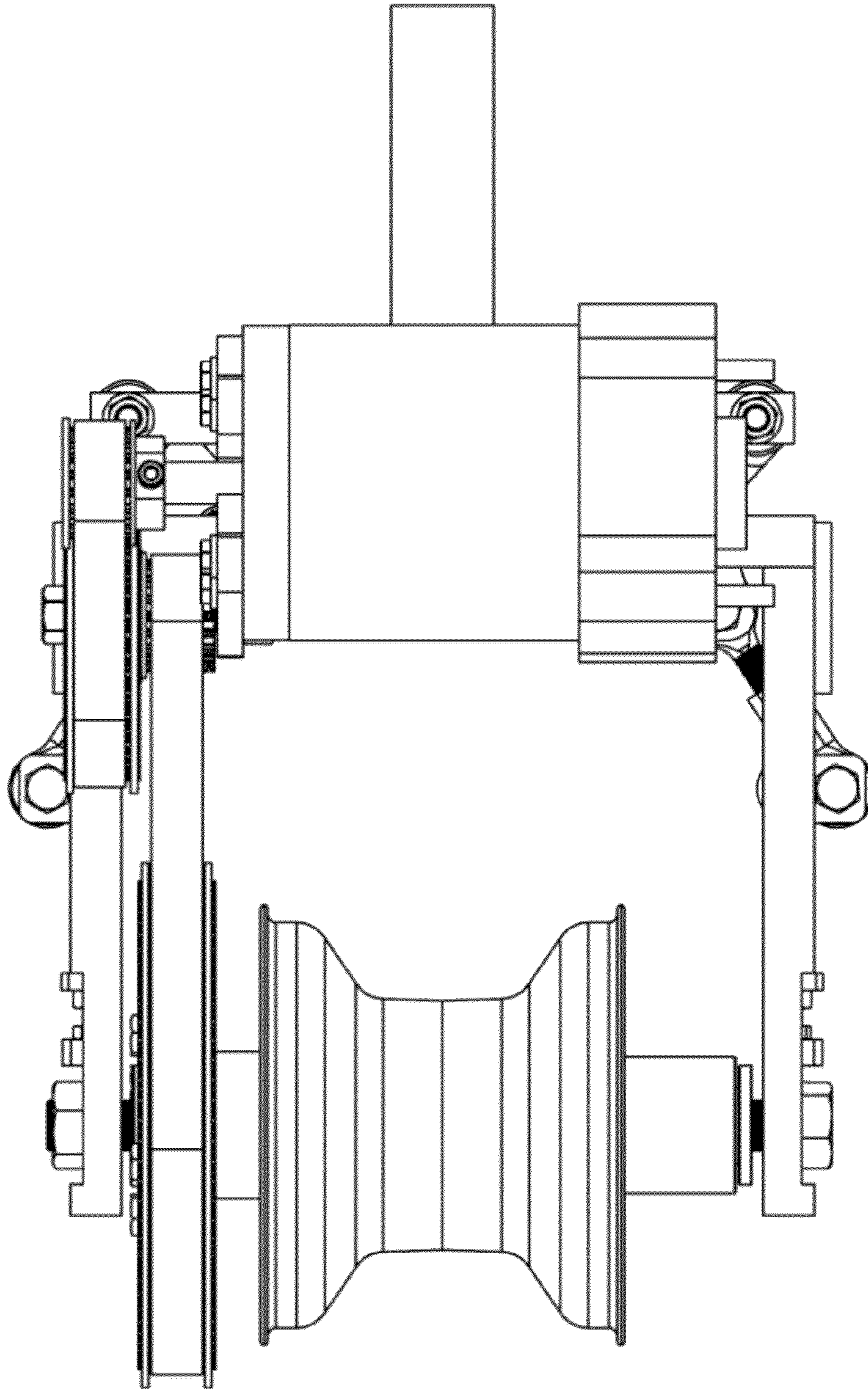


Fig. 8