



US00D701795S

(12) **United States Design Patent**  
**Brown, Jr. et al.**

(10) **Patent No.:** **US D701,795 S**  
(45) **Date of Patent:** **\*\* Apr. 1, 2014**

(54) **LEG RIGGING CLIP**

(57) **CLAIM**

We claim the ornamental design for a leg rigging clip, as shown and described.

(71) Applicant: **Medline Industries, Inc.**, Mundelein, IL (US)

**DESCRIPTION**

(72) Inventors: **Corbett Brown, Jr.**, Round Lake Park, IL (US); **Zhiliang Wang**, Zhongshan (CN)

FIG. 1 is a perspective view of a leg rigging clip in accordance with a first embodiment of our new design, the broken lines representing an exemplary wheelchair with which the leg rigging clip may be used;

FIG. 2 is a perspective view thereof;

FIG. 3 is a top plan view thereof;

FIG. 4 is a front elevational view thereof;

FIG. 5 is a rear elevational view thereof;

FIG. 6 is a bottom plan view thereof;

FIG. 7 is a left side elevational view thereof;

FIG. 8 is a right side elevational view thereof;

FIG. 9 is a perspective view of a leg rigging clip in accordance with a second embodiment of our new design;

FIG. 10 is a top plan view thereof;

FIG. 11 is a front elevational view thereof;

FIG. 12 is a rear elevational view thereof;

FIG. 13 is a bottom plan view thereof;

FIG. 14 is a left side elevational view thereof;

FIG. 15 is a right side elevational view thereof;

FIG. 16 is a perspective view of a leg rigging clip in accordance with a third embodiment of our new design, the broken lines representing an exemplary wheelchair with which the leg rigging clip may be used;

FIG. 17 is a perspective view thereof;

FIG. 18 is a top plan view thereof;

FIG. 19 is a front elevational view thereof;

FIG. 20 is a rear elevational view thereof;

FIG. 21 is a bottom plan view thereof;

FIG. 22 is a right side elevational view thereof;

FIG. 23 is a left side elevational view thereof;

FIG. 24 is a perspective view of a leg rigging clip in accordance with a fourth embodiment of our new design;

FIG. 25 is a top plan view thereof;

FIG. 26 is a front elevational view thereof;

FIG. 27 is a rear elevational view thereof;

FIG. 28 is a bottom plan view thereof;

FIG. 29 is a right side elevational view thereof; and,

FIG. 30 is a left side elevational view thereof.

The broken lines depict unclaimed environmental subject matter and form no part of the claim.

(73) Assignee: **Medline Industries, Inc.**, Mundelein, IL (US)

(\*\*) Term: **14 Years**

(21) Appl. No.: **29/440,187**

(22) Filed: **Dec. 19, 2012**

(51) **LOC (10) Cl.** ..... **12-12**

(52) **U.S. Cl.**  
USPC ..... **D12/133**

(58) **Field of Classification Search**

USPC ..... D12/128-133; 280/62, 647-650, 29, 280/200, 47.38, 250.1, 259, 642, 658, 280/304.1; 128/99.1, 100.1, 102.1, 876, 128/877; 301/111.01; D8/72, 394; 403/133, 403/316

See application file for complete search history.

(56) **References Cited**

**U.S. PATENT DOCUMENTS**

5,074,574 A \* 12/1991 Carwin ..... 280/304.1  
5,580,184 A \* 12/1996 Riccitelli ..... 403/365

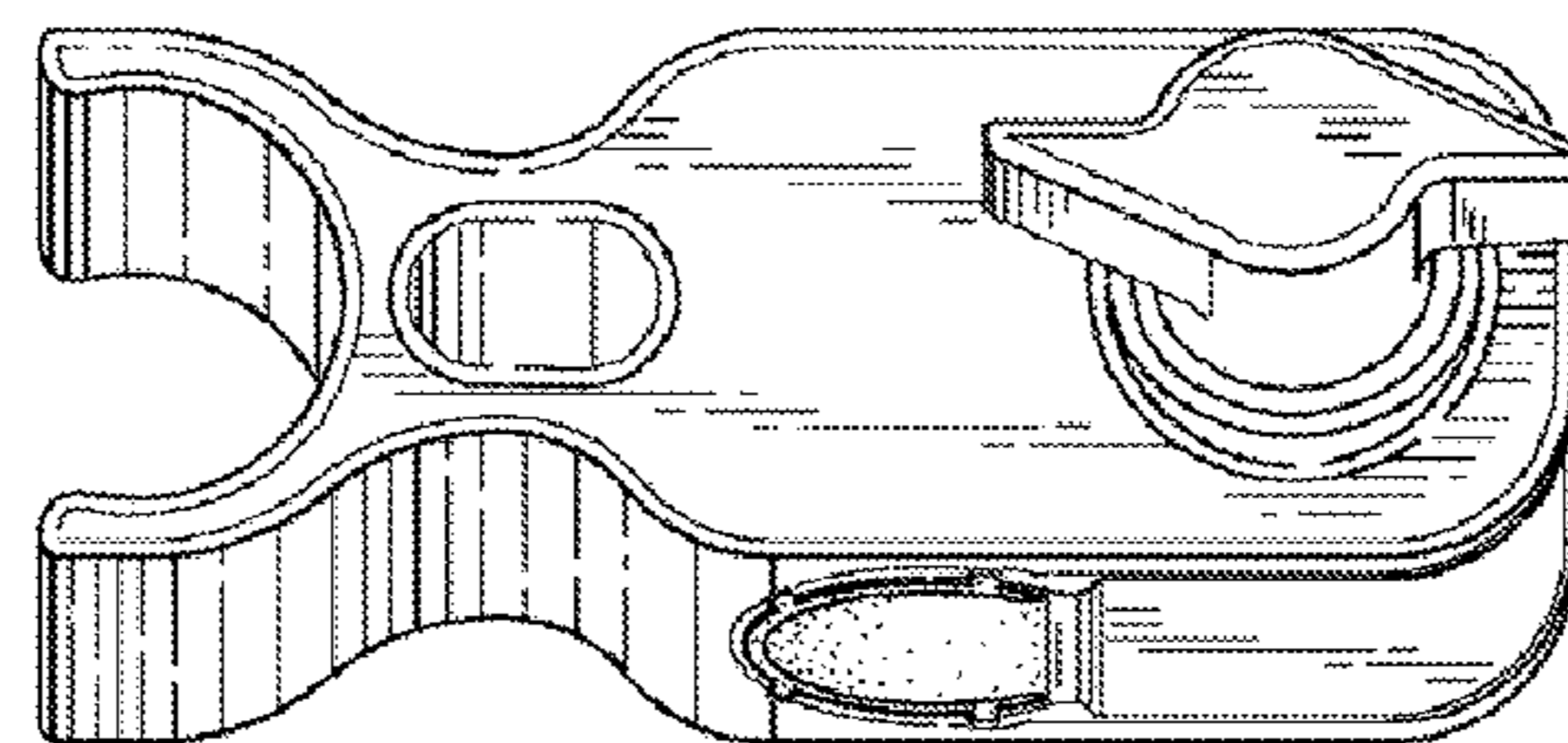
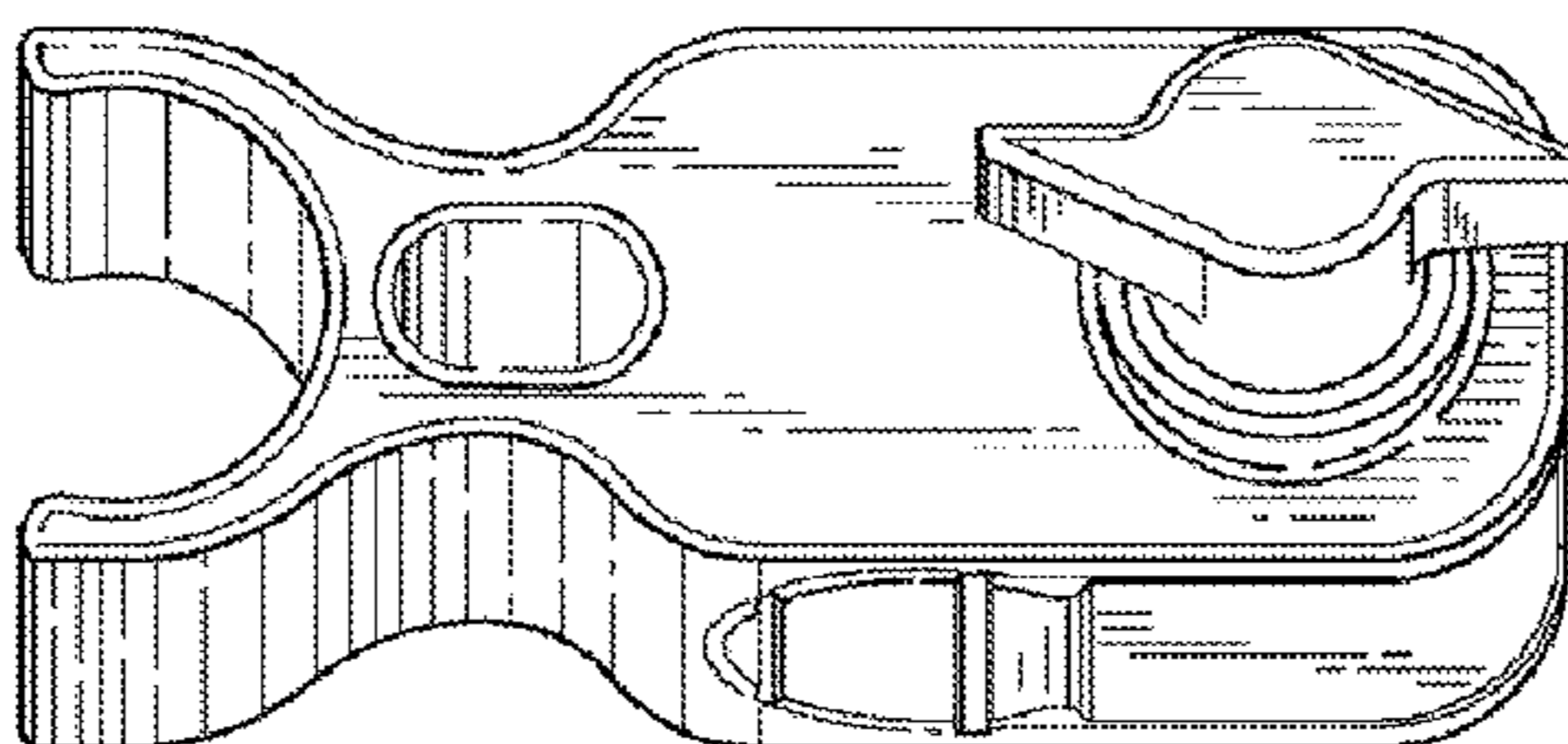
(Continued)

*Primary Examiner* — Ian Simmons

*Assistant Examiner* — Charles Hanson

(74) *Attorney, Agent, or Firm* — Fitch, Even, Tabin & Flannery LLP

**1 Claim, 8 Drawing Sheets**



# US D701,795 S

Page 2

---

(56)

## References Cited

### U.S. PATENT DOCUMENTS

5,743,671 A \* 4/1998 Williams ..... 403/316  
D393,998 S \* 5/1998 Anderson ..... D8/394  
D413,842 S \* 9/1999 Garven, Jr. .... D12/133

D423,993 S \* 5/2000 Slagerman ..... D12/133  
D423,994 S \* 5/2000 Helwig ..... D12/133  
6,520,598 B1 \* 2/2003 Cheng ..... 301/111.01  
D573,861 S \* 7/2008 Hammer et al. .... D8/72  
D631,403 S \* 1/2011 Knopf ..... D12/133

\* cited by examiner

FIG. 1

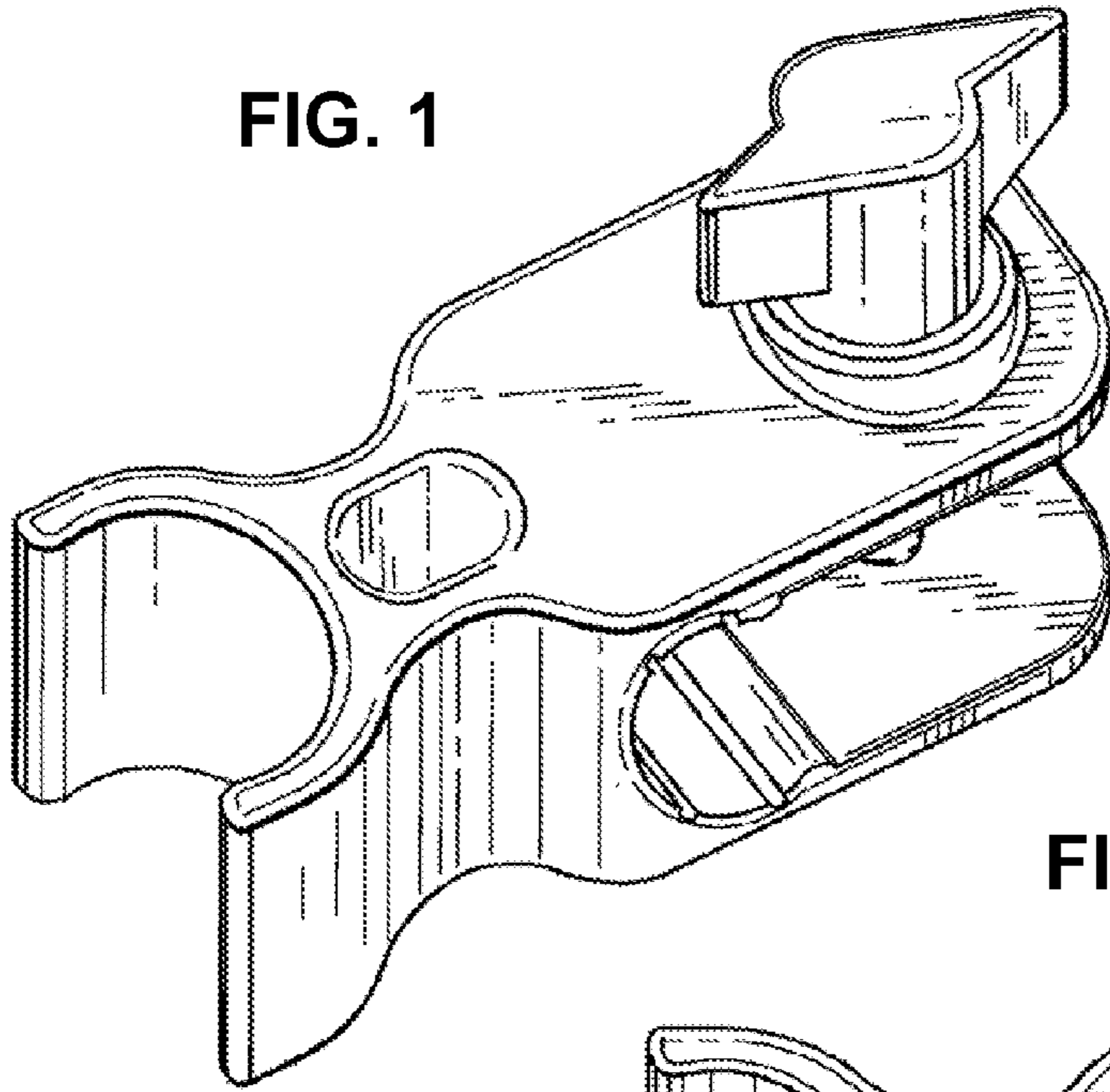


FIG. 2

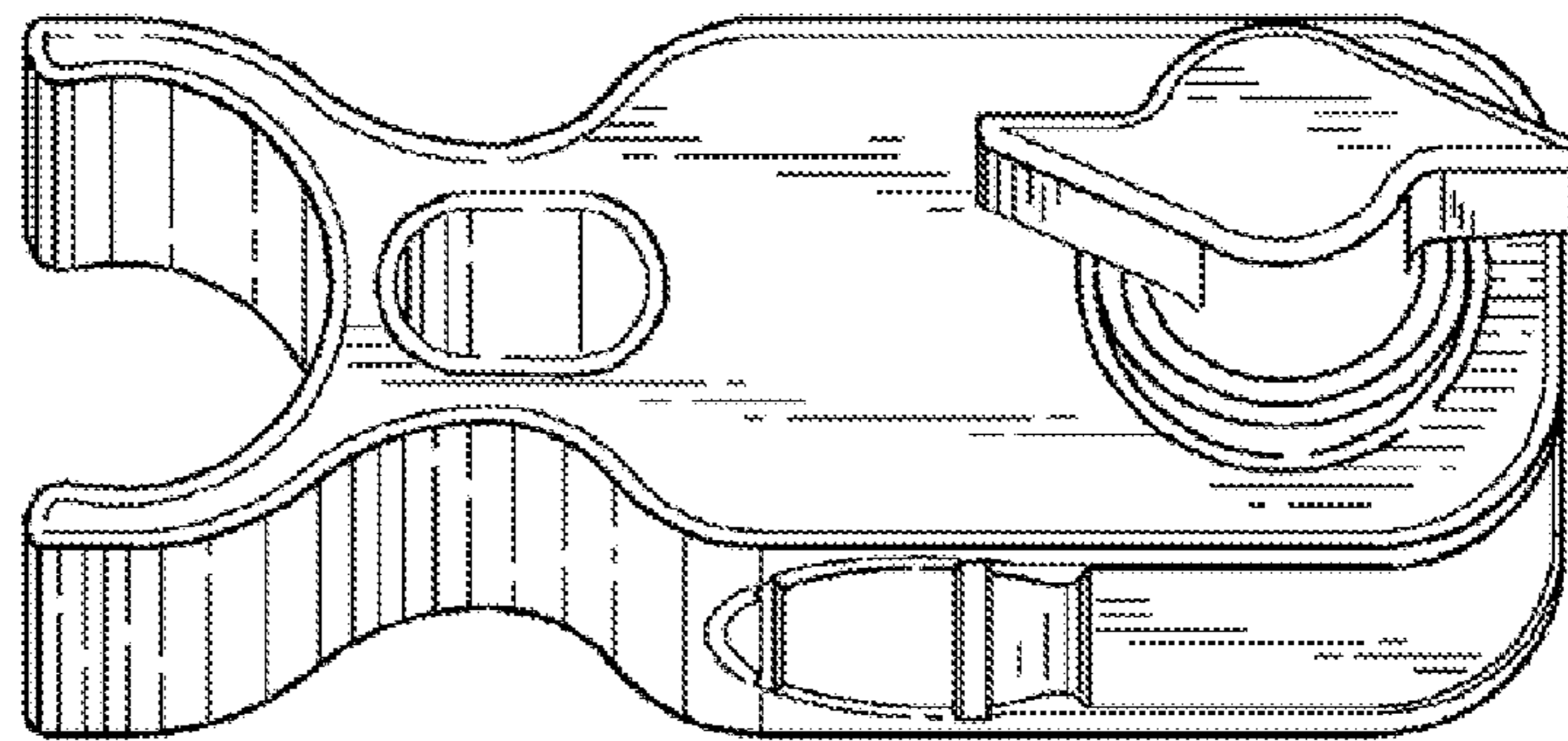


FIG. 3

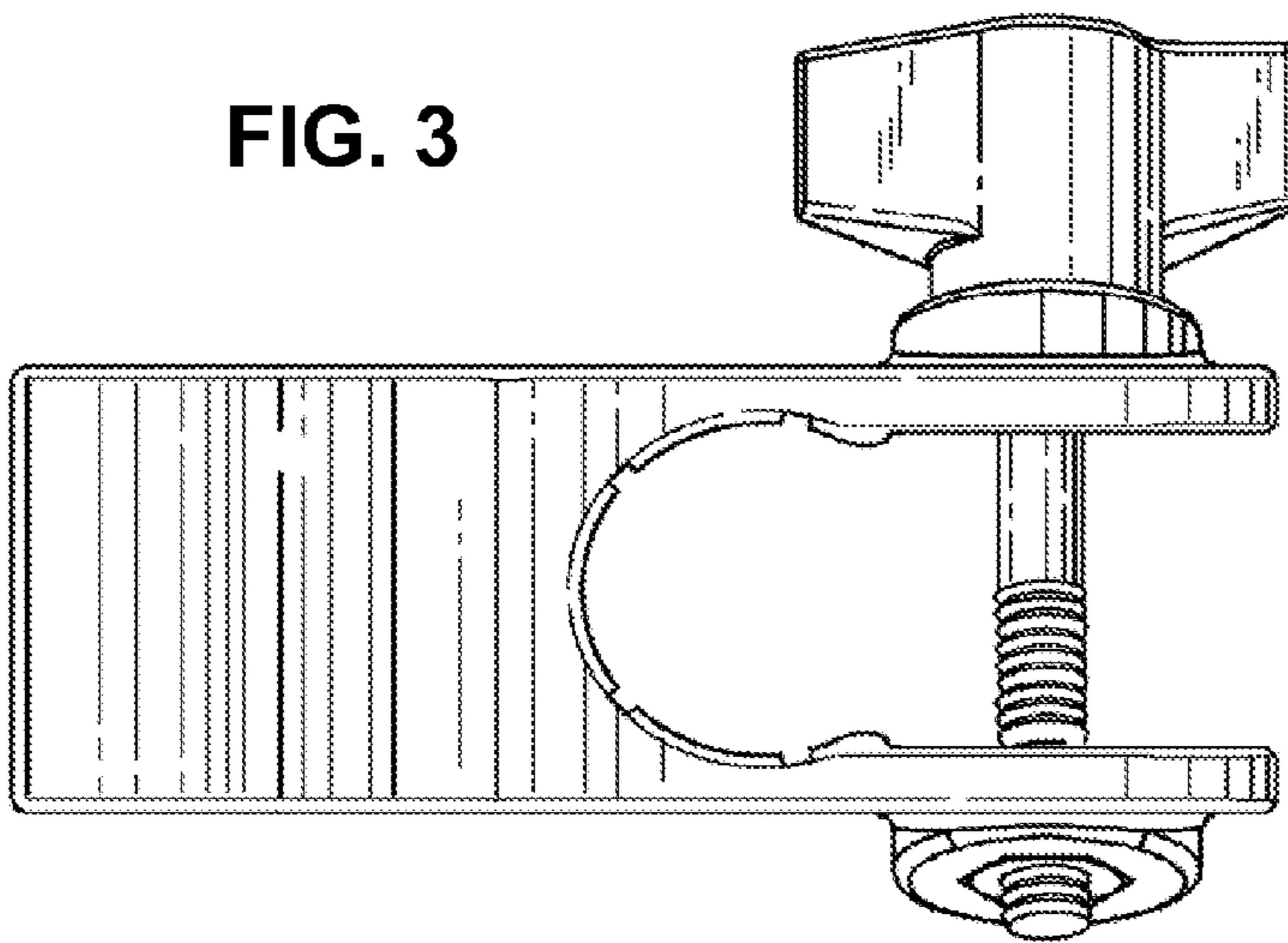


FIG. 4

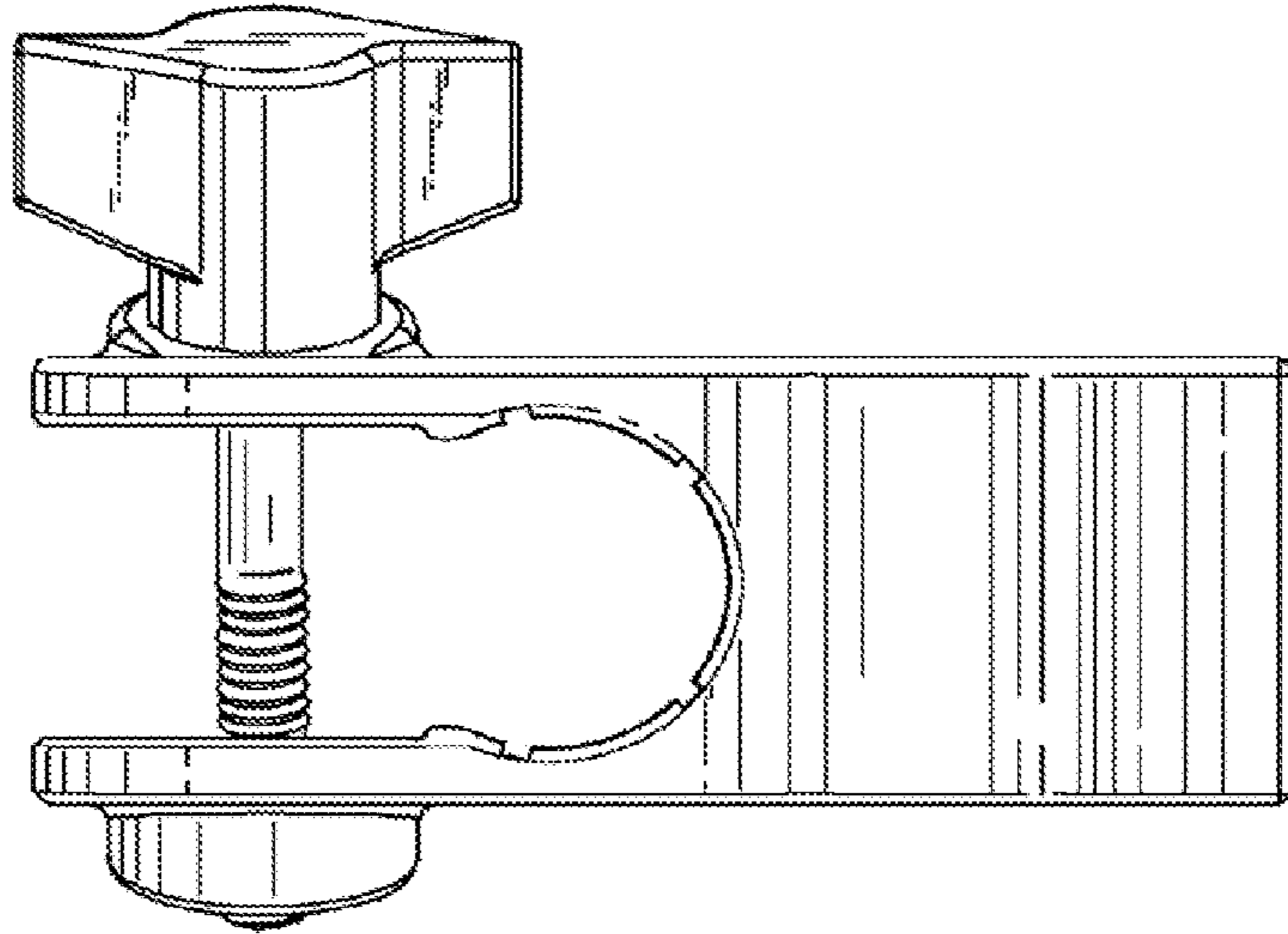


FIG. 5

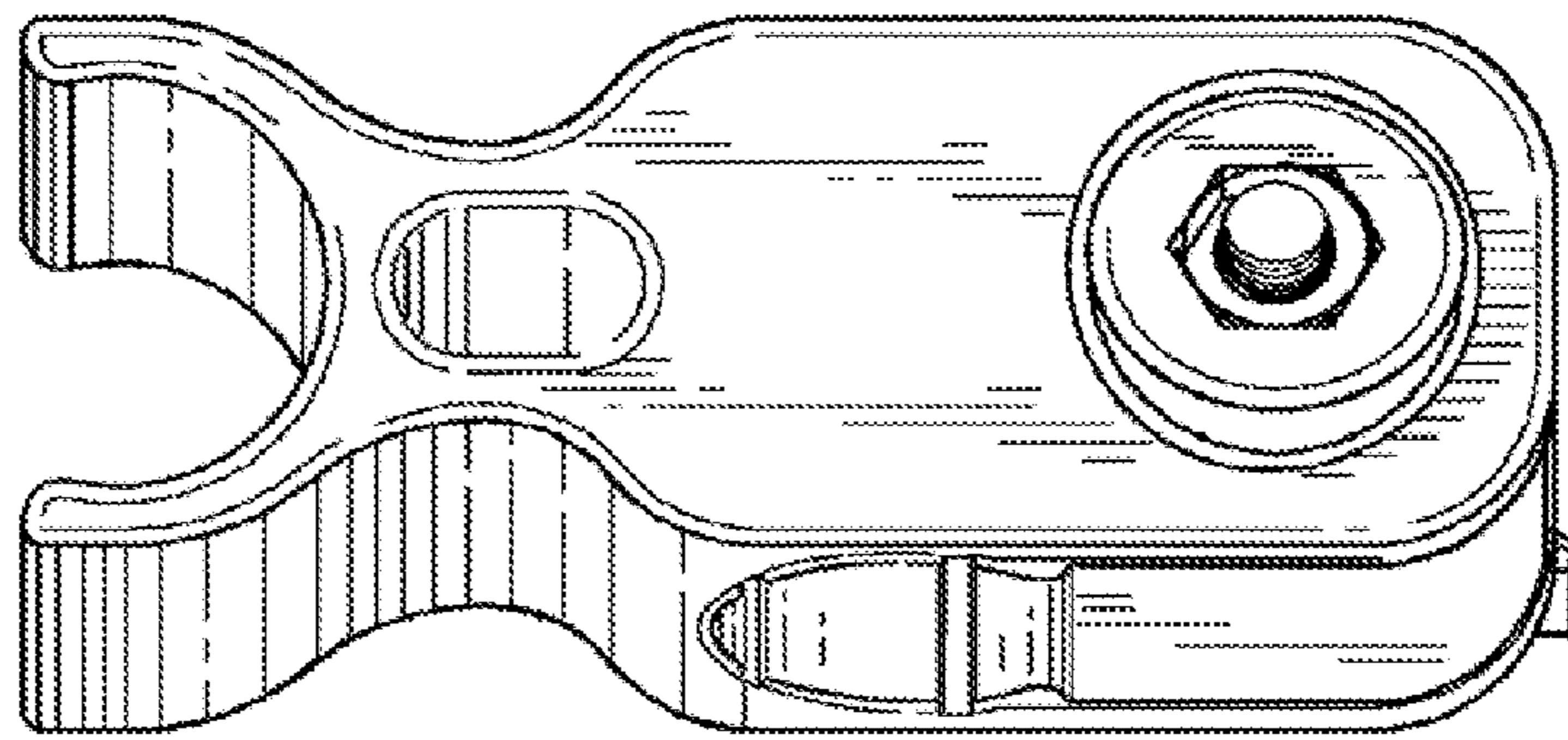


FIG. 6

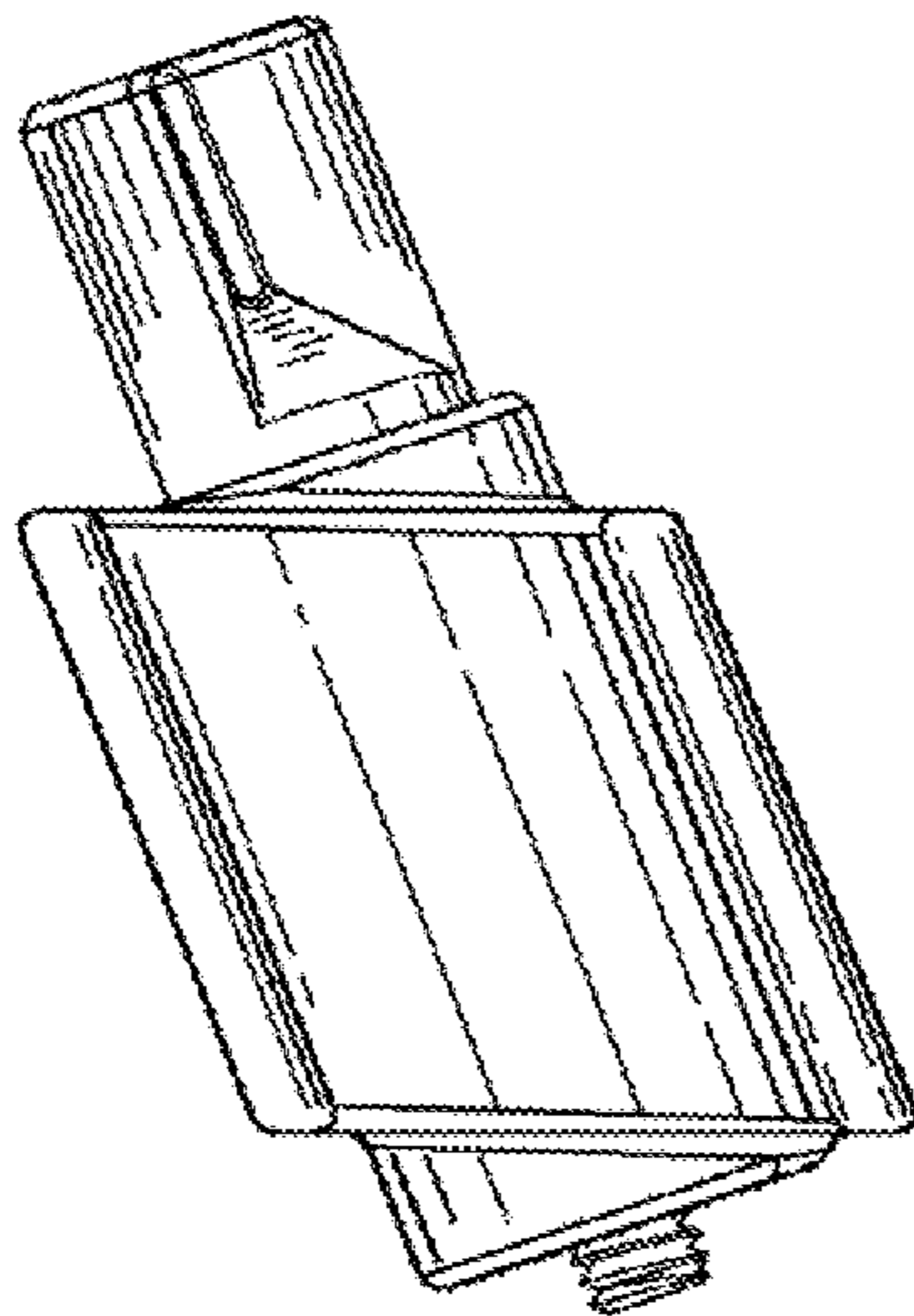


FIG. 7

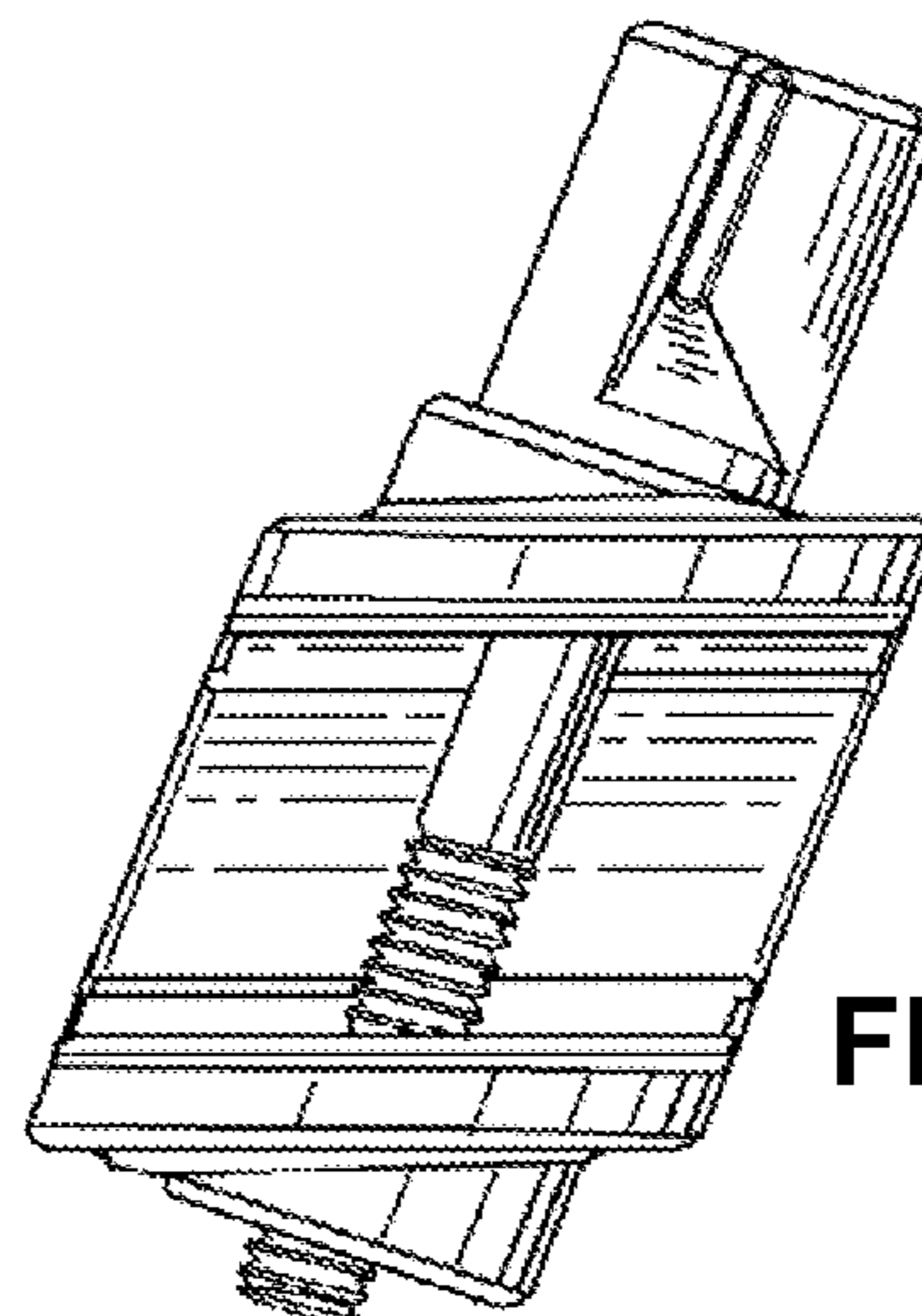


FIG. 8

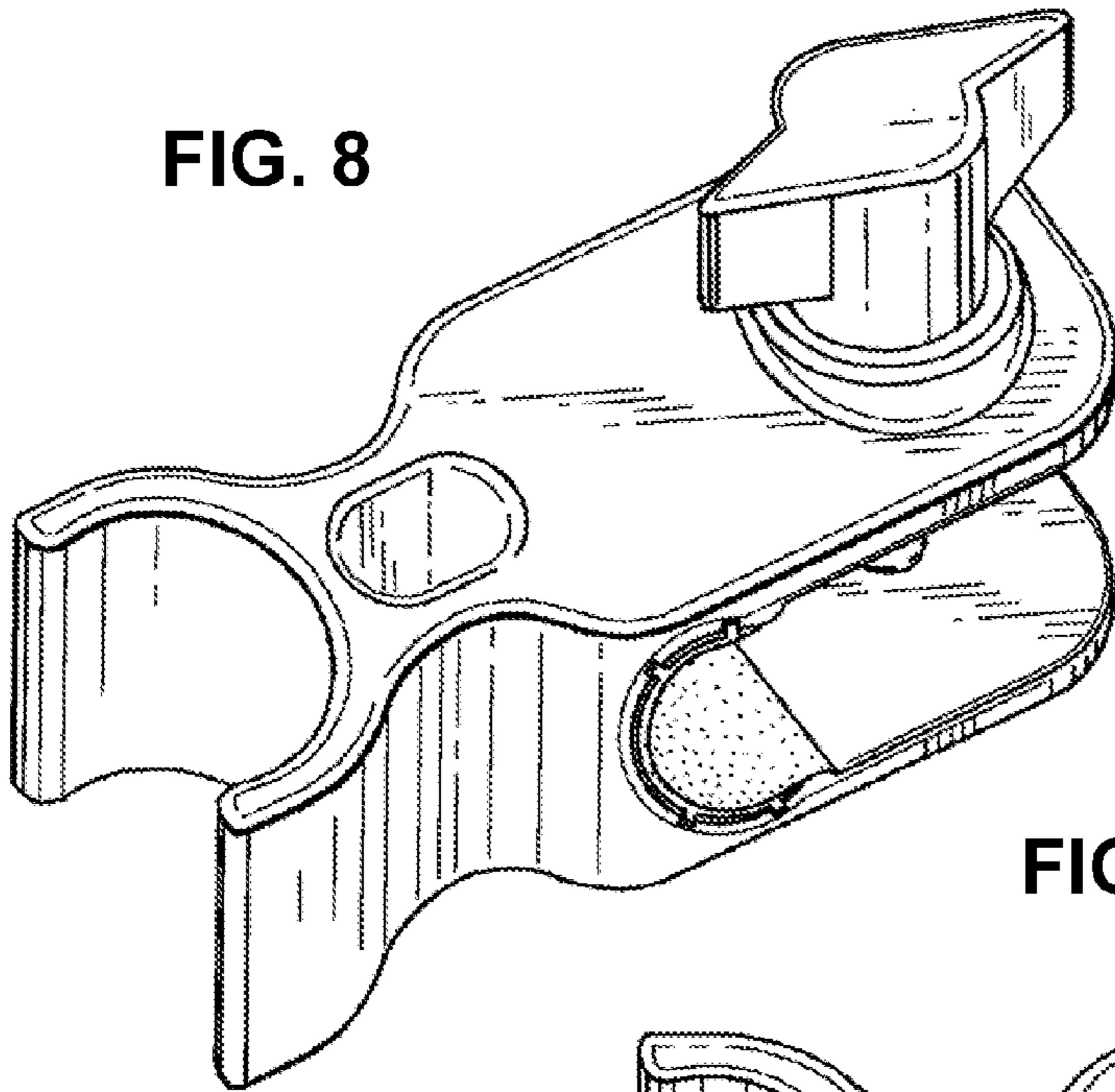


FIG. 9

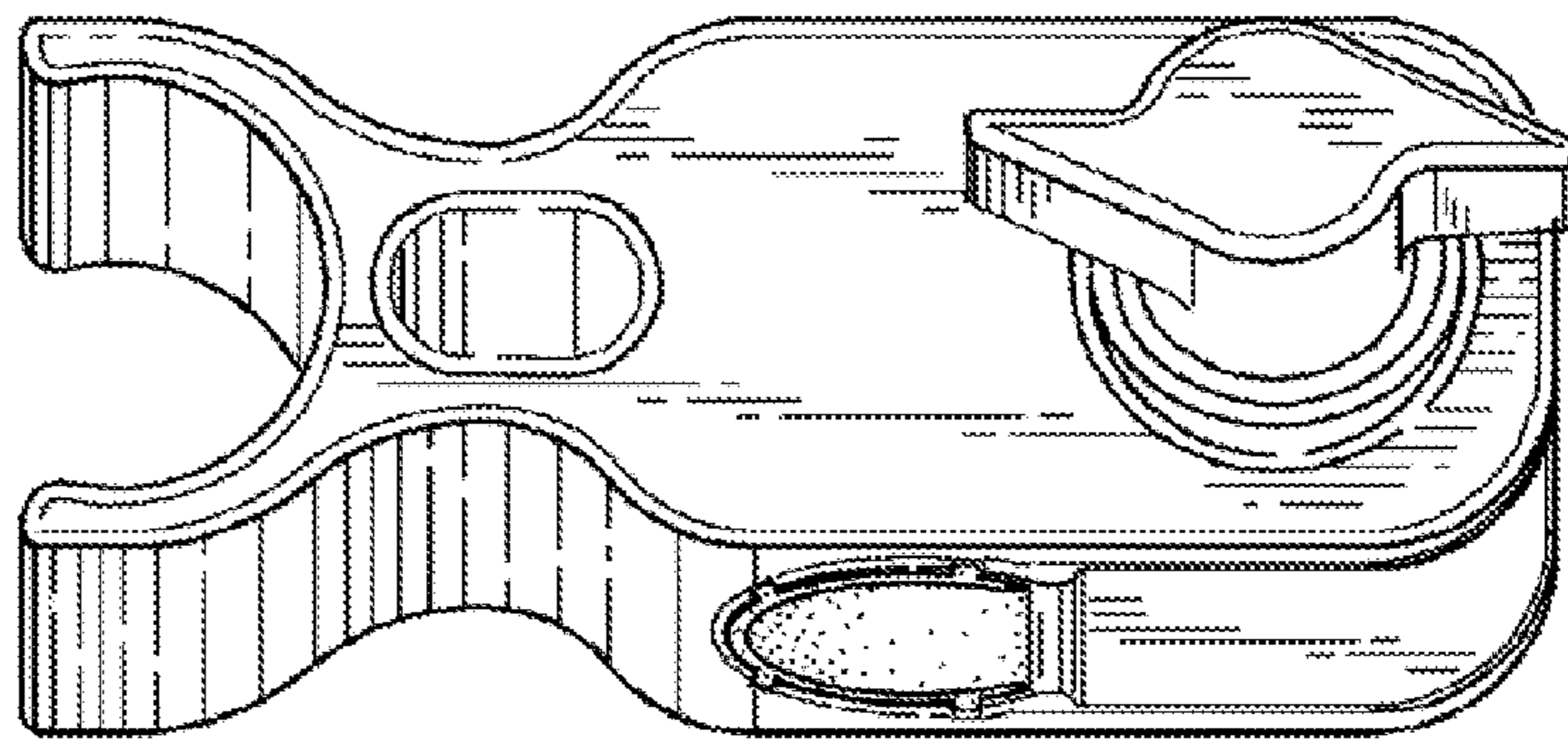


FIG. 10

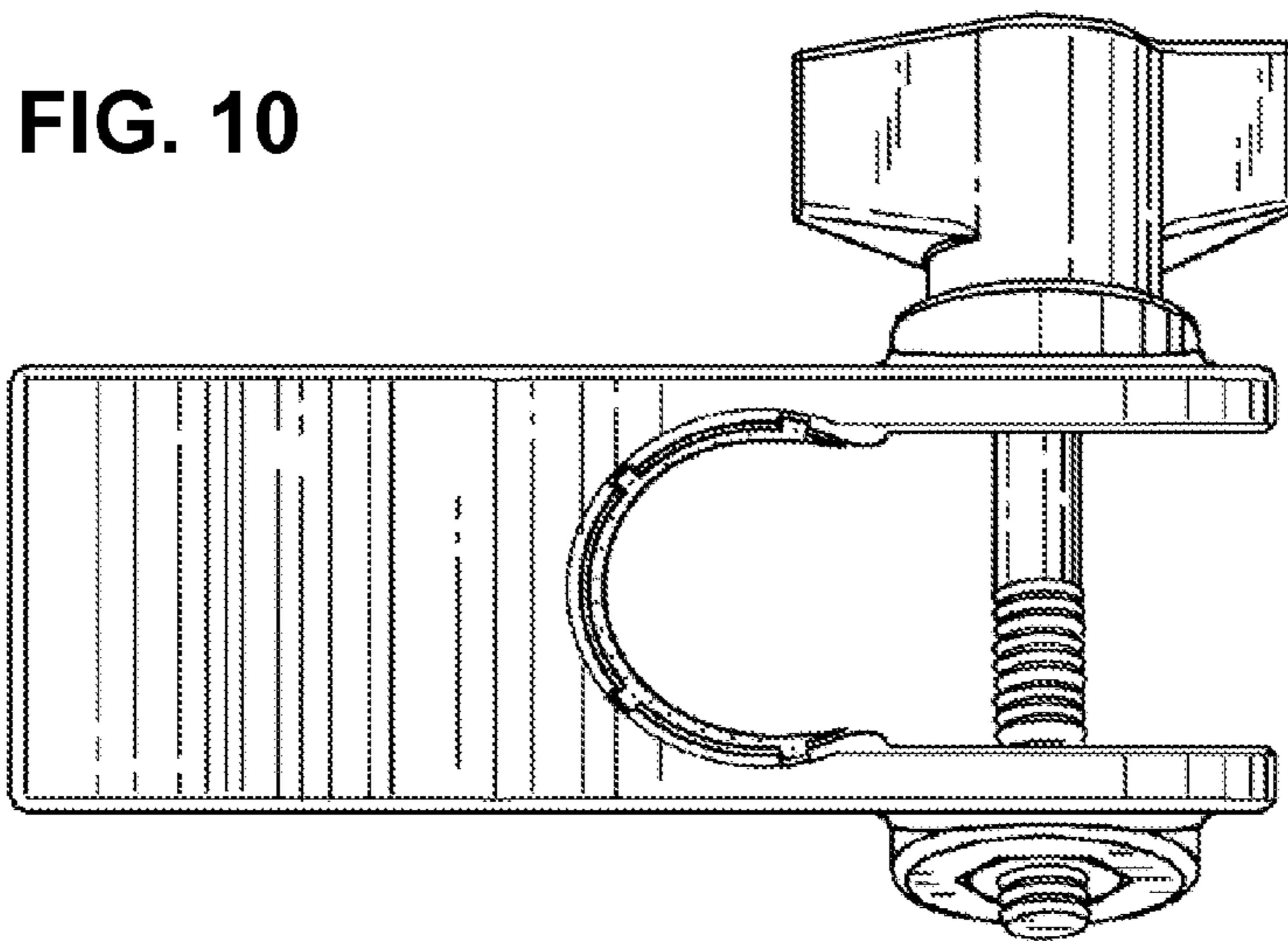


FIG. 11

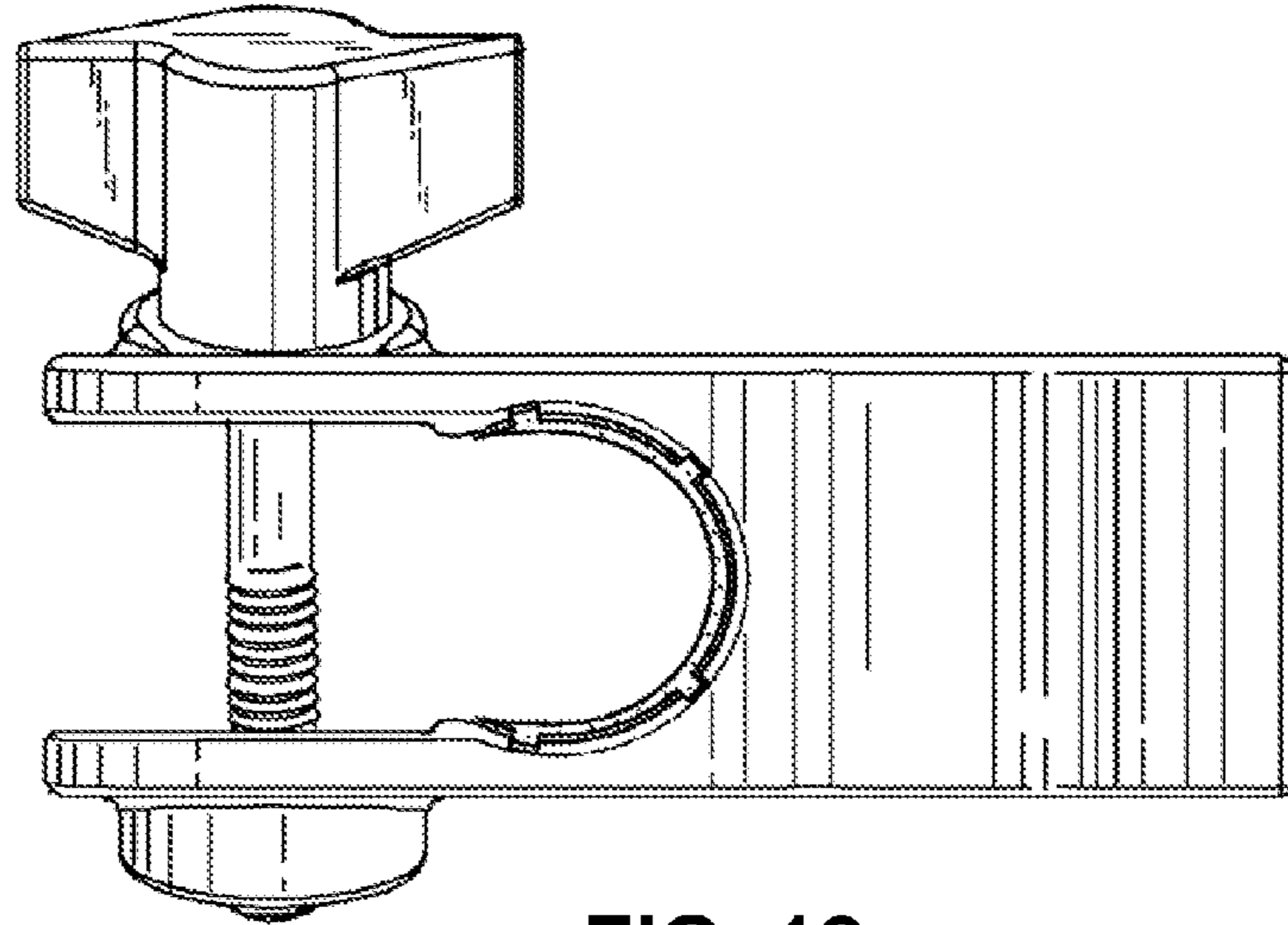


FIG. 12

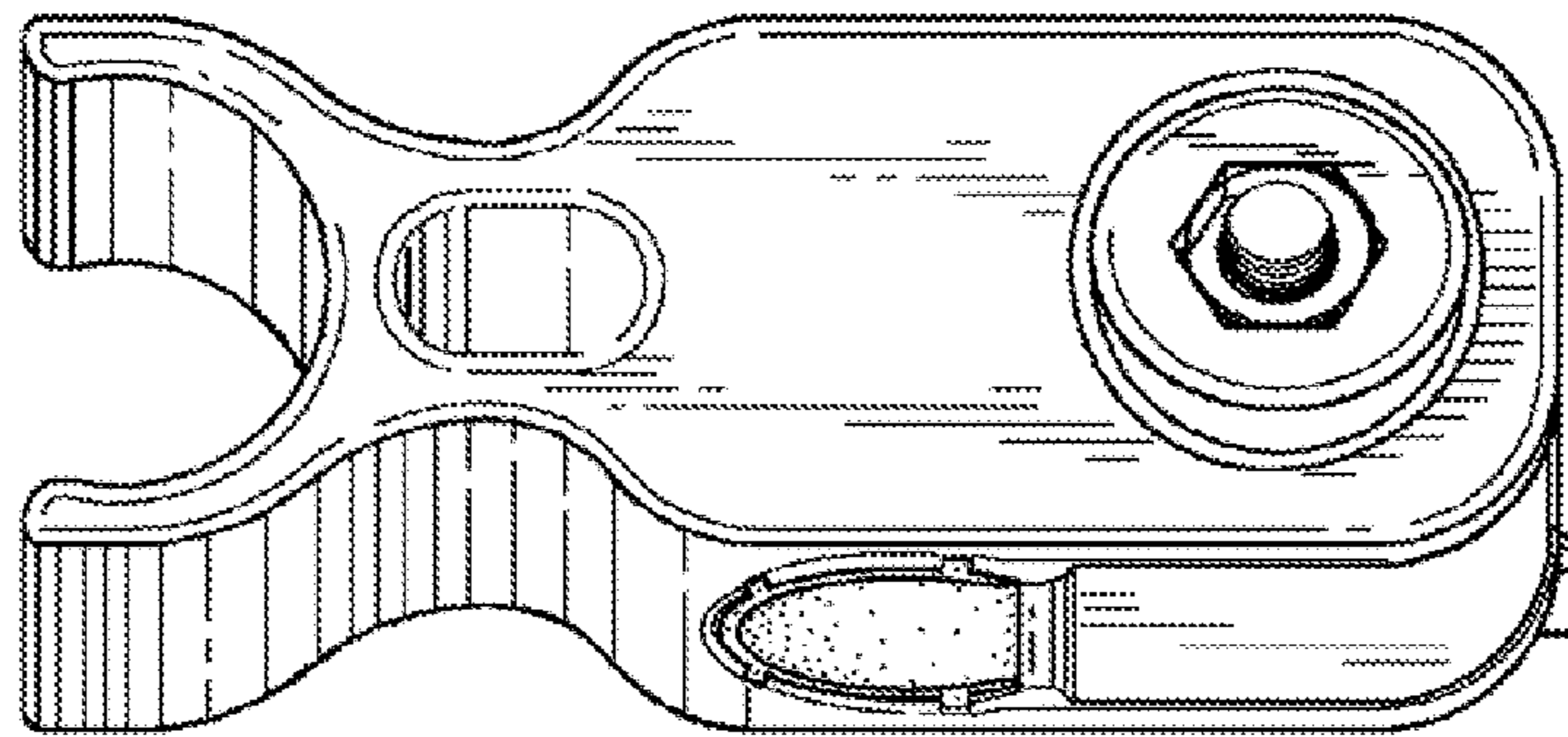


FIG. 13

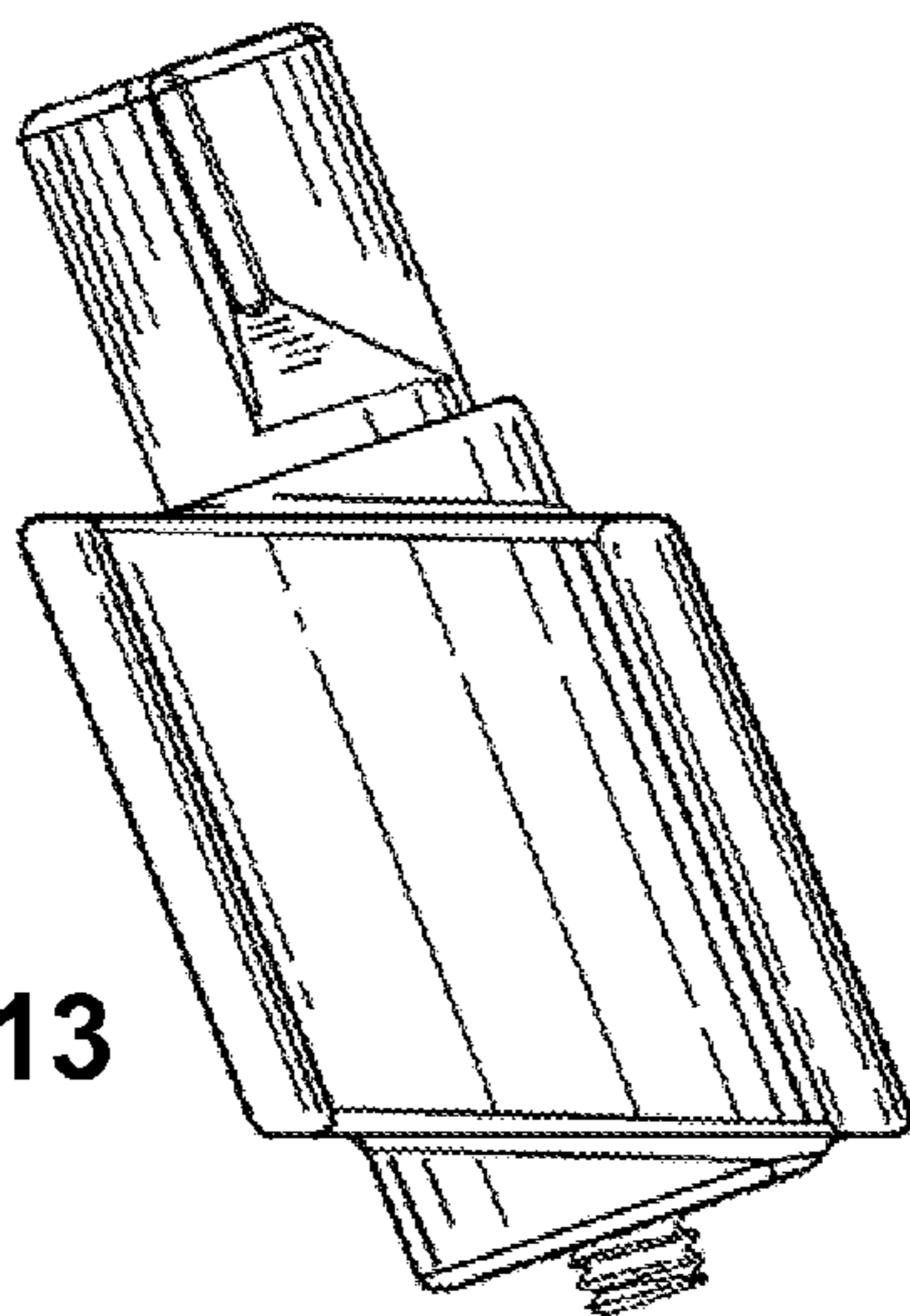
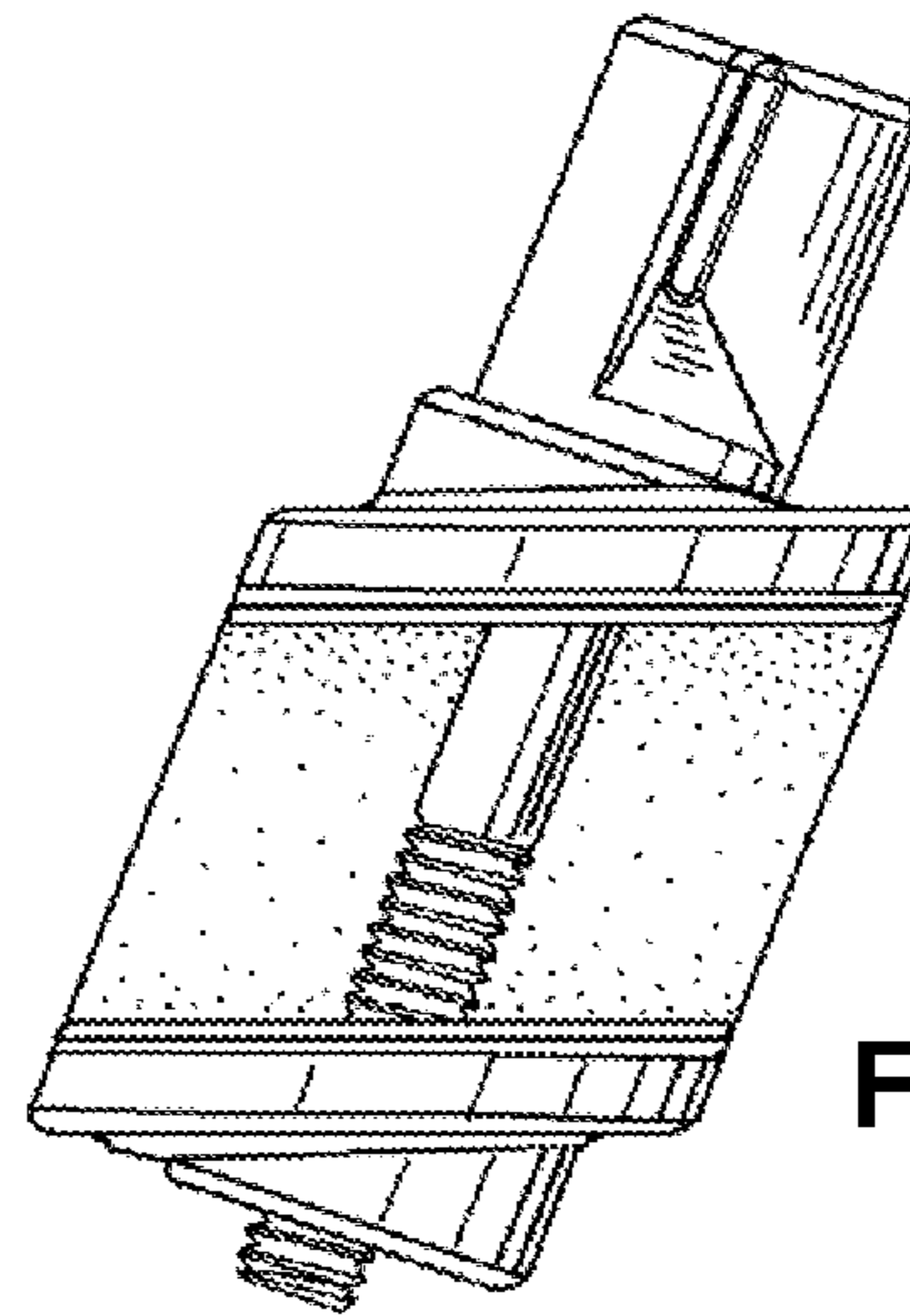


FIG. 14



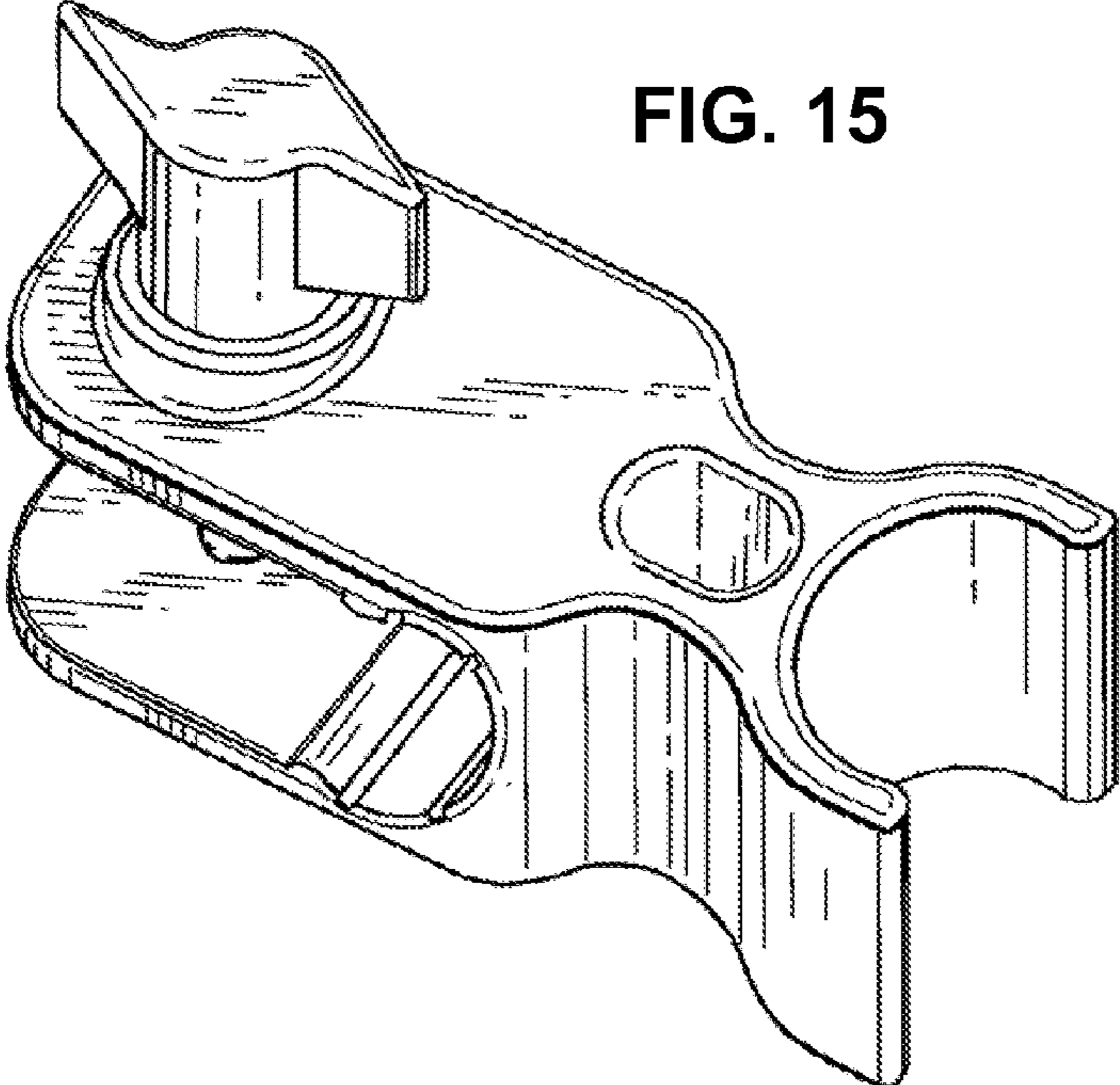


FIG. 15

FIG. 16

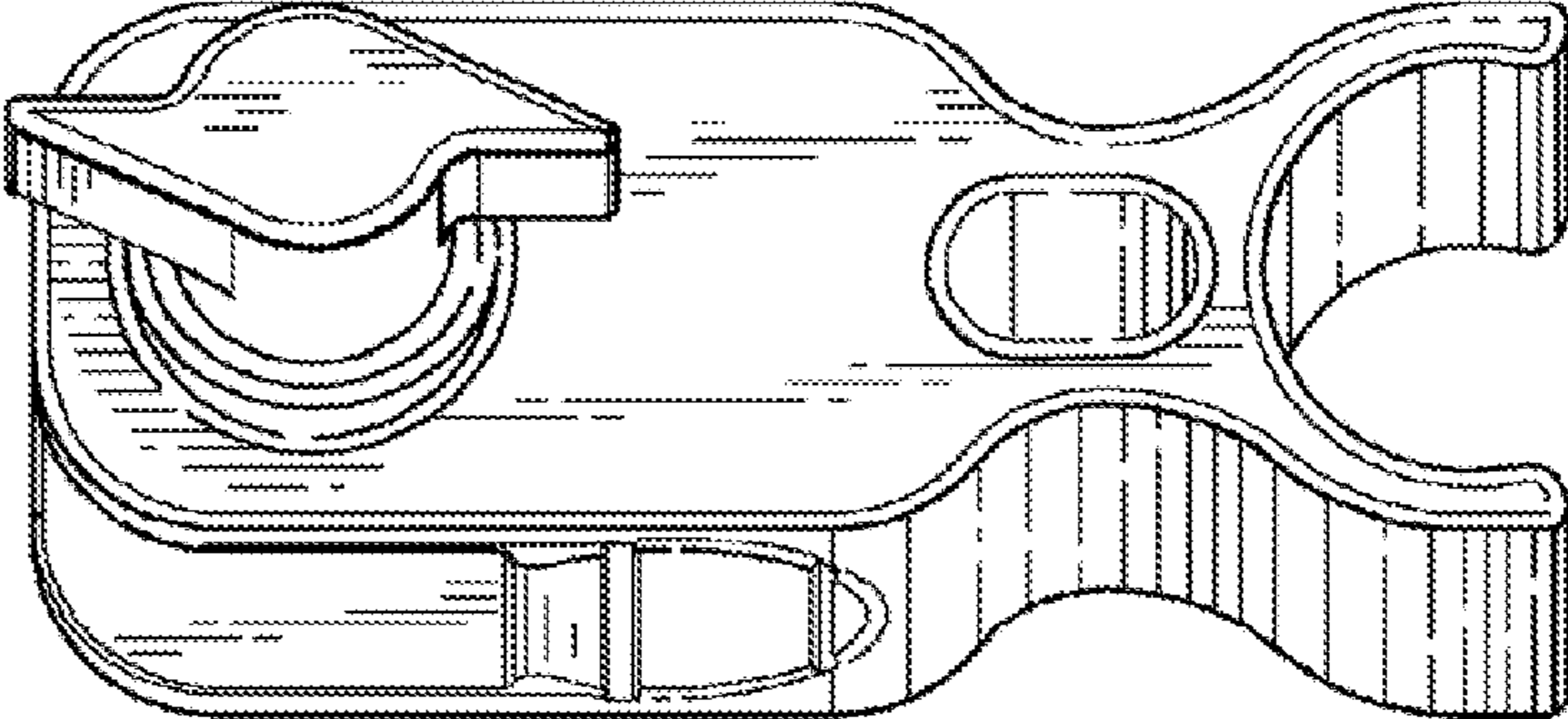


FIG. 17

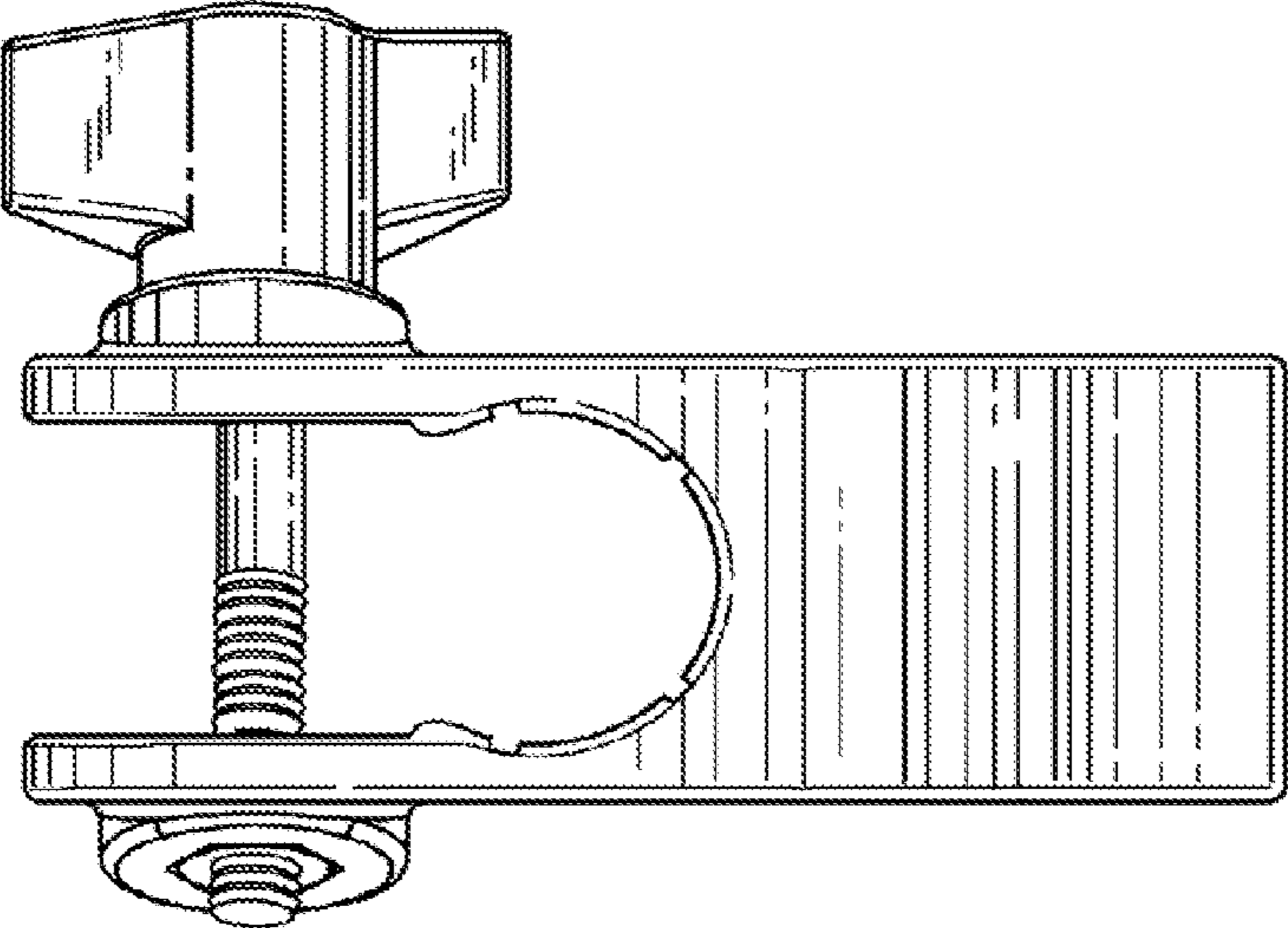


FIG. 18

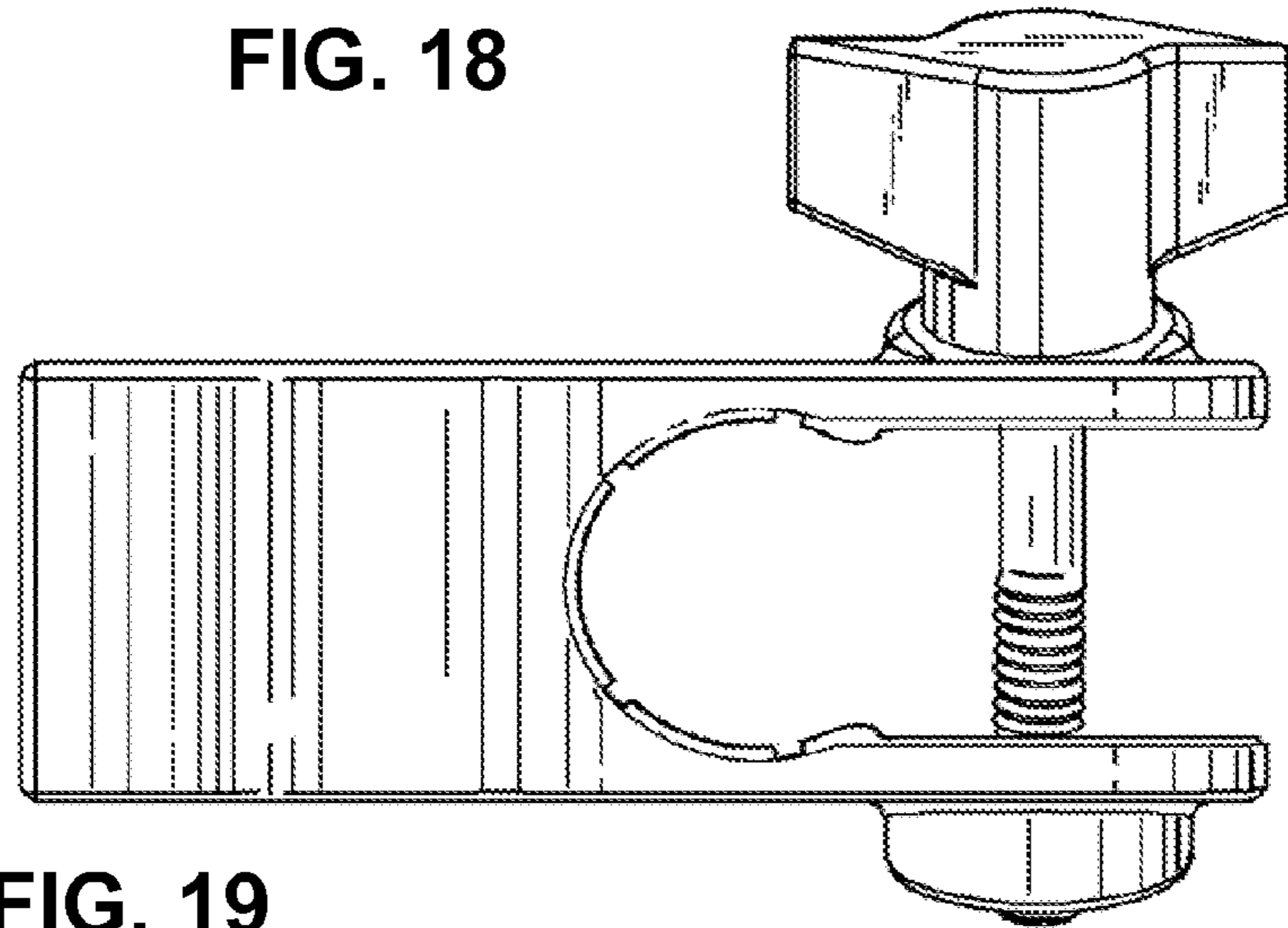


FIG. 19

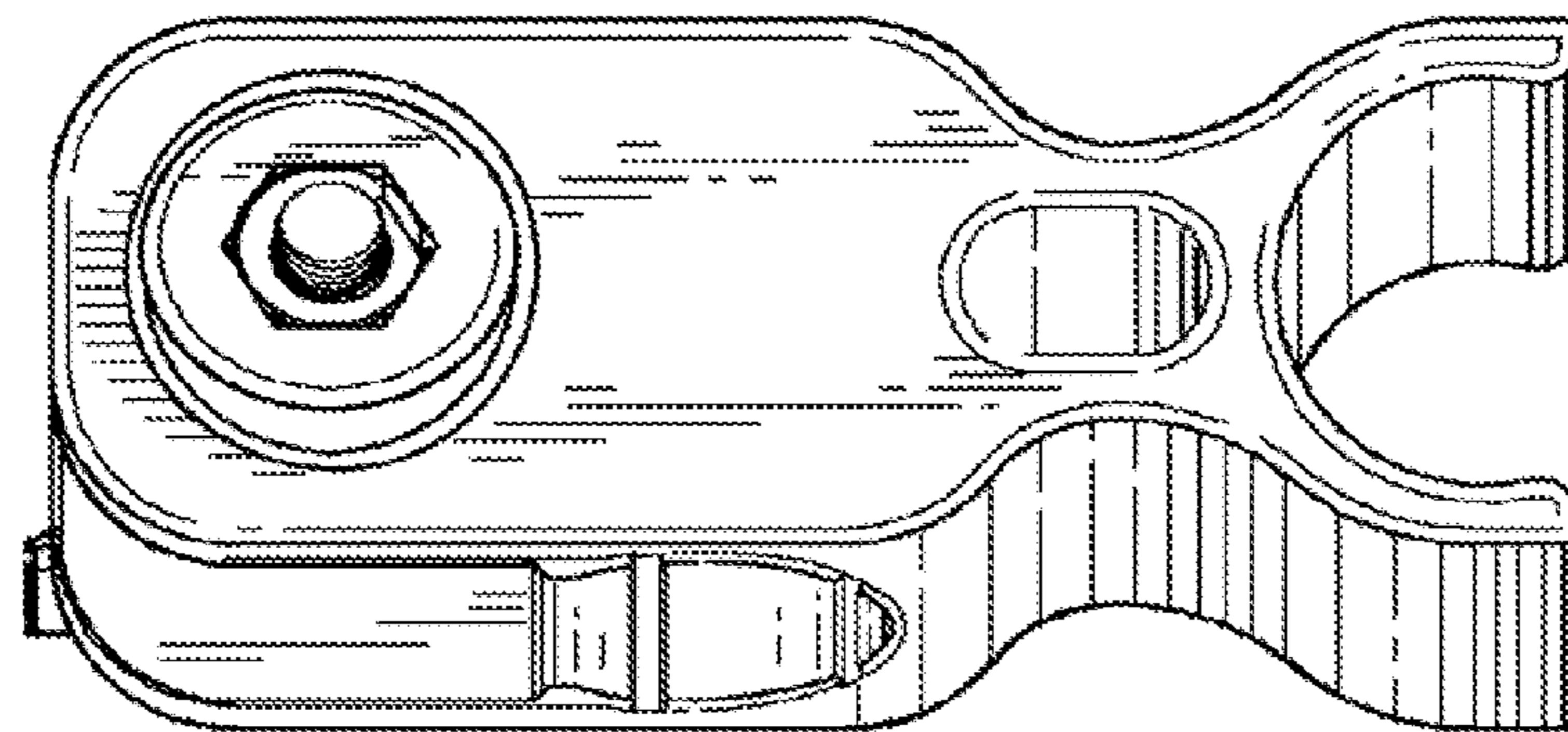


FIG. 20

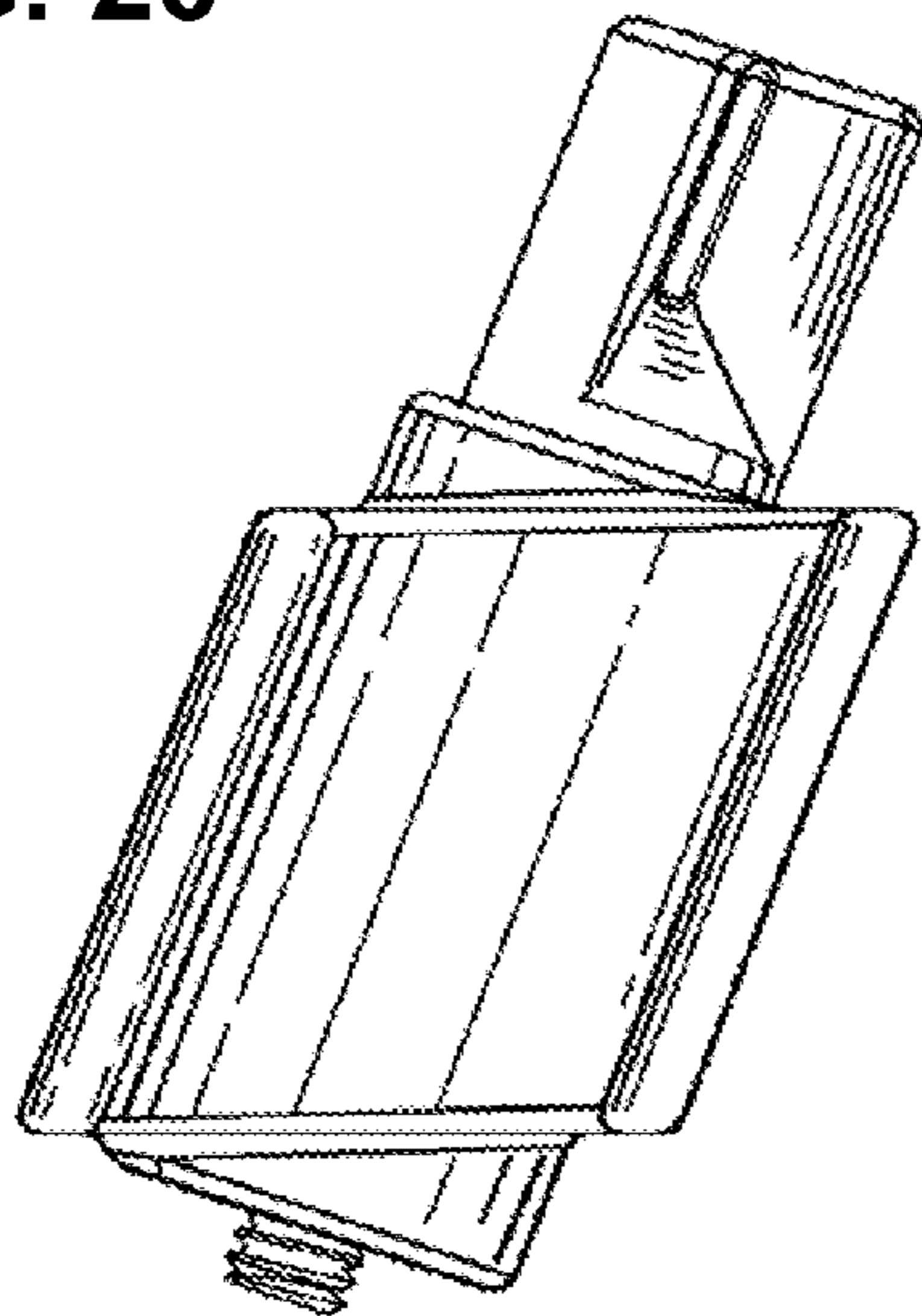
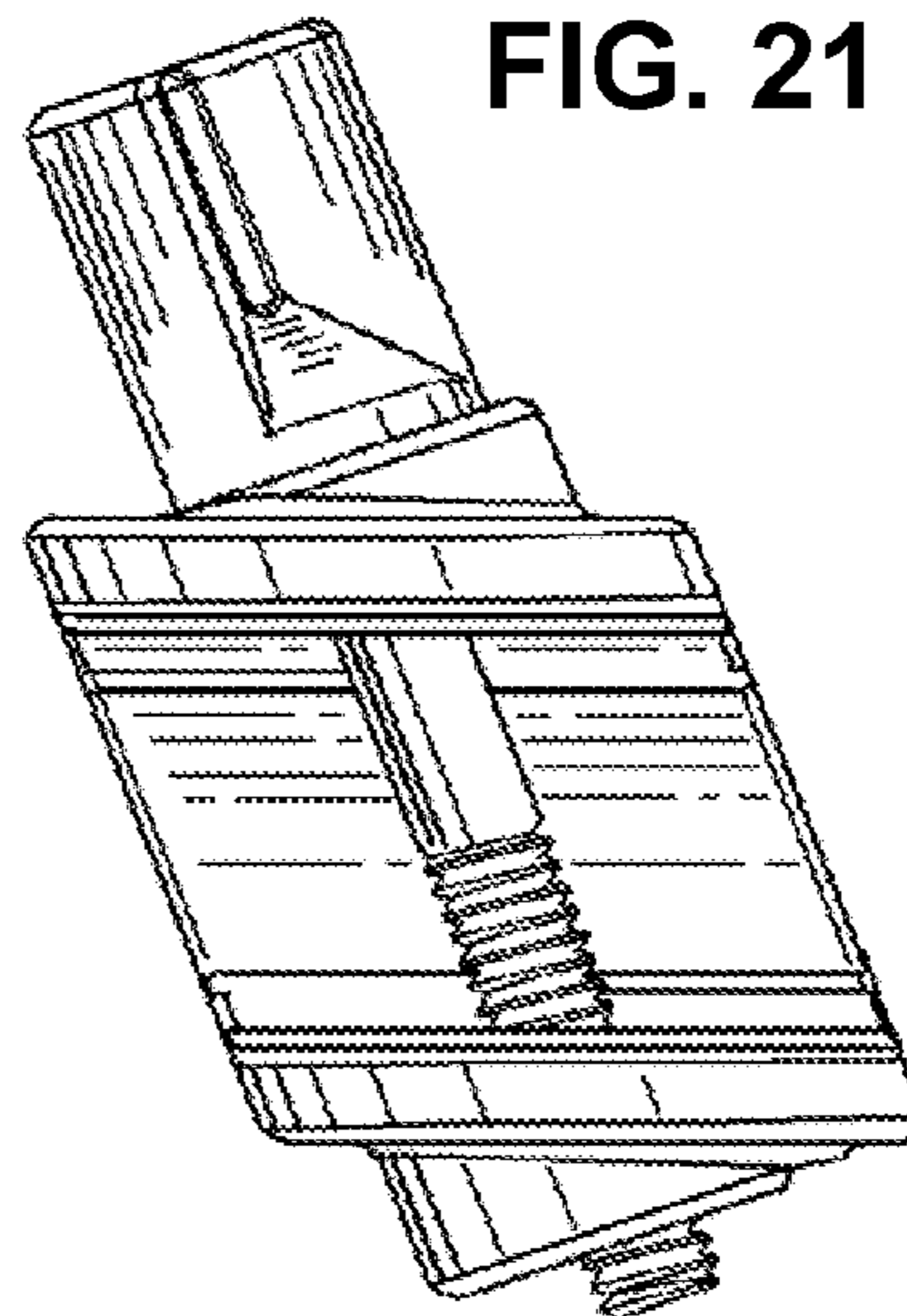


FIG. 21





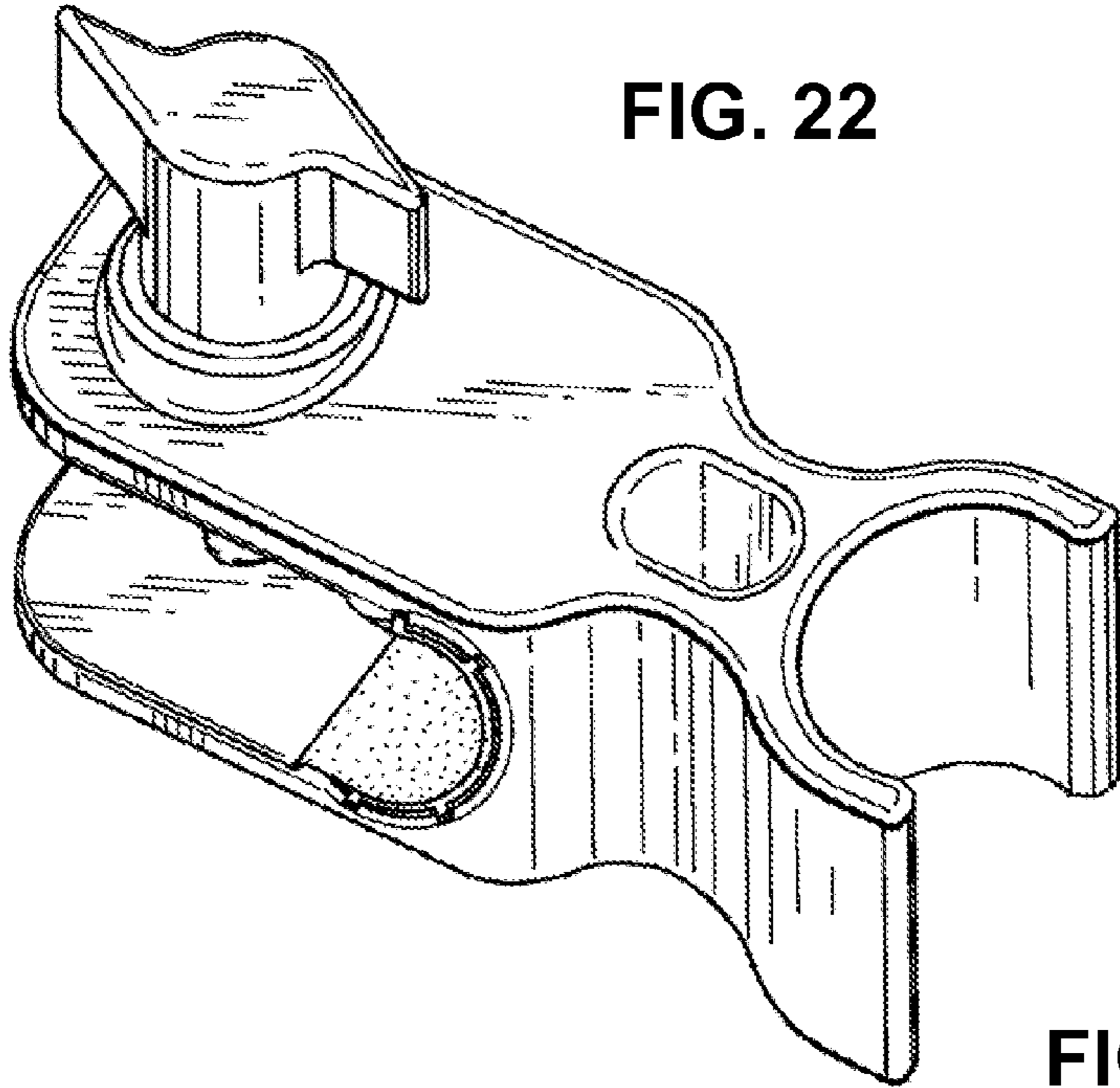


FIG. 23

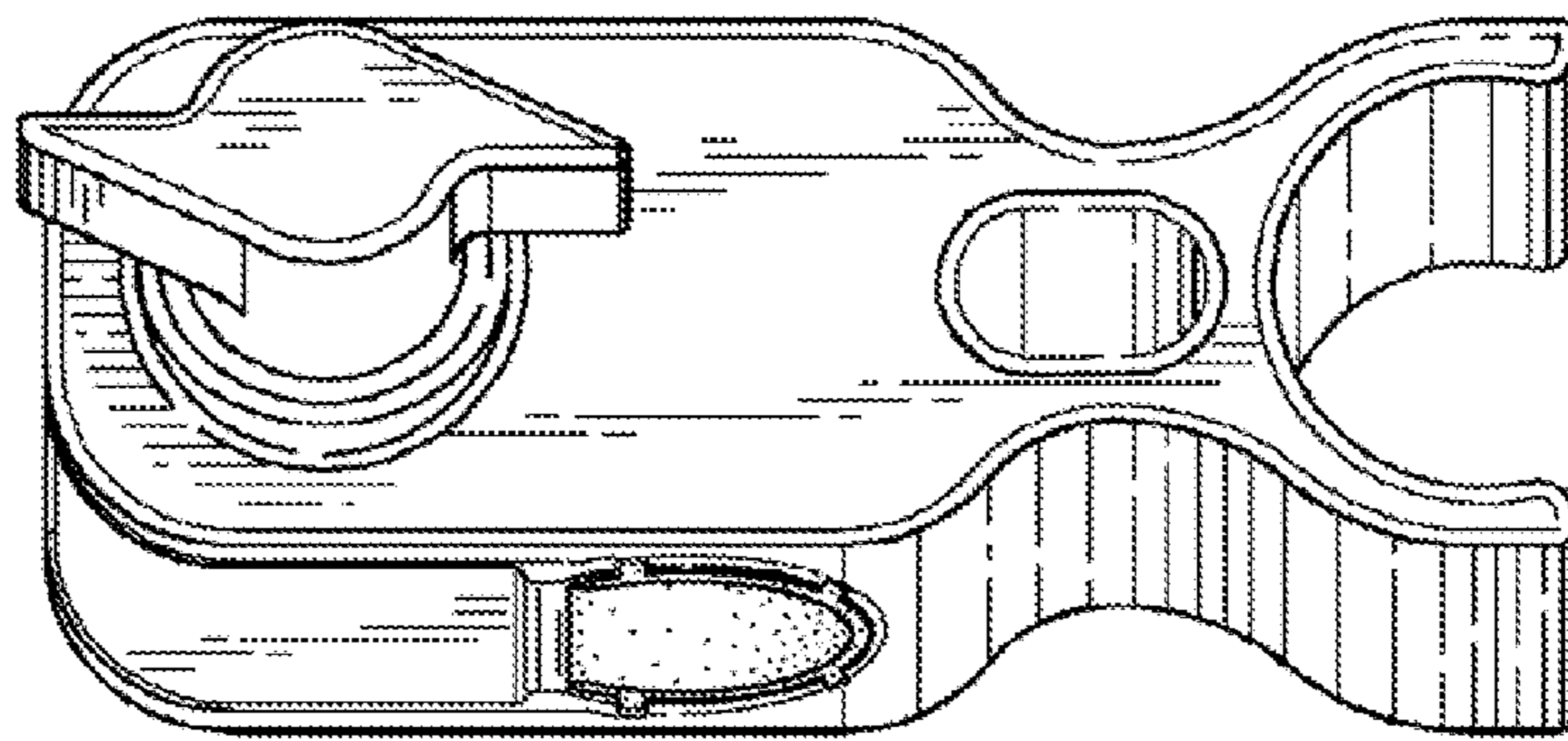


FIG. 24

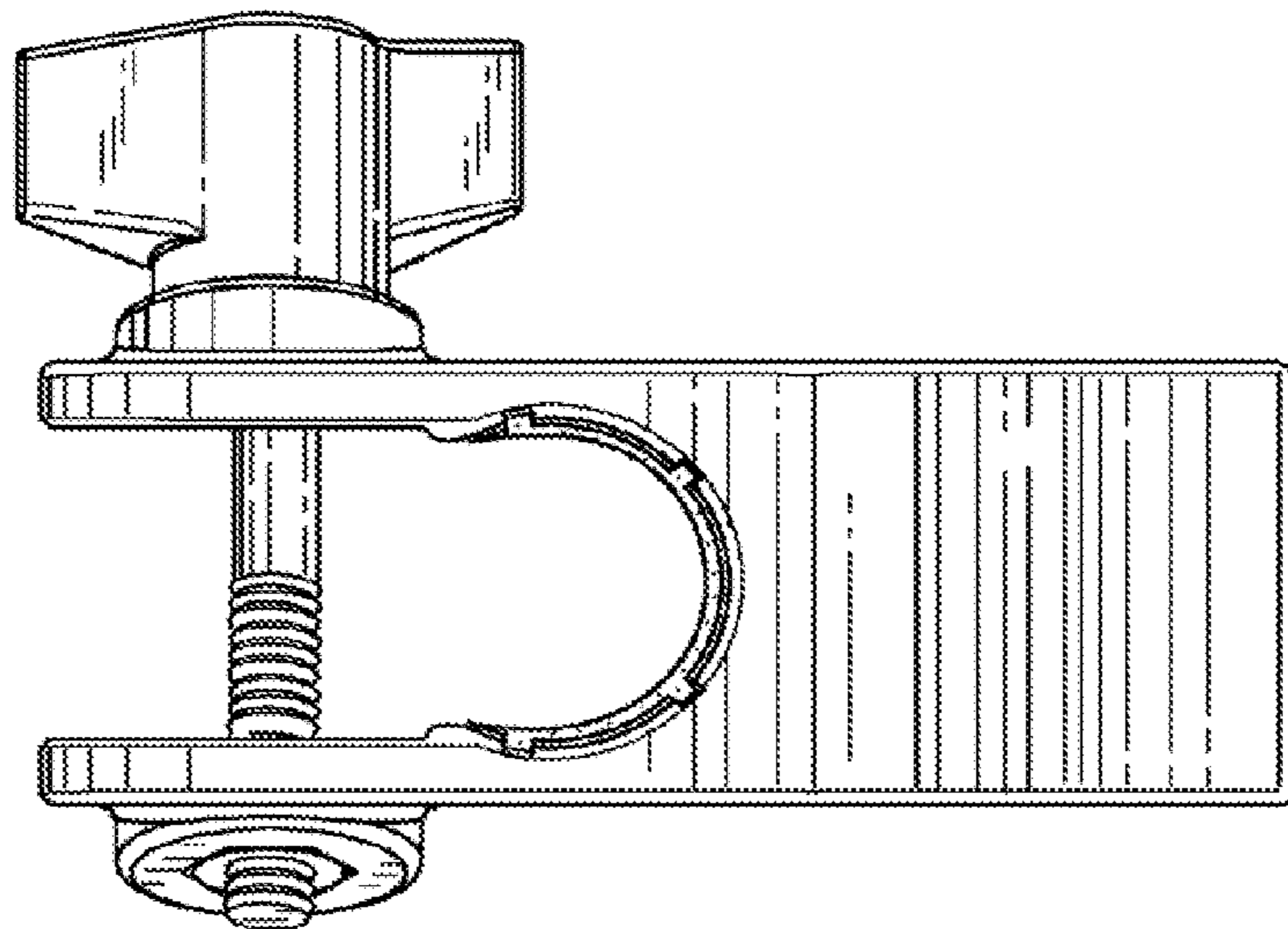


FIG. 25

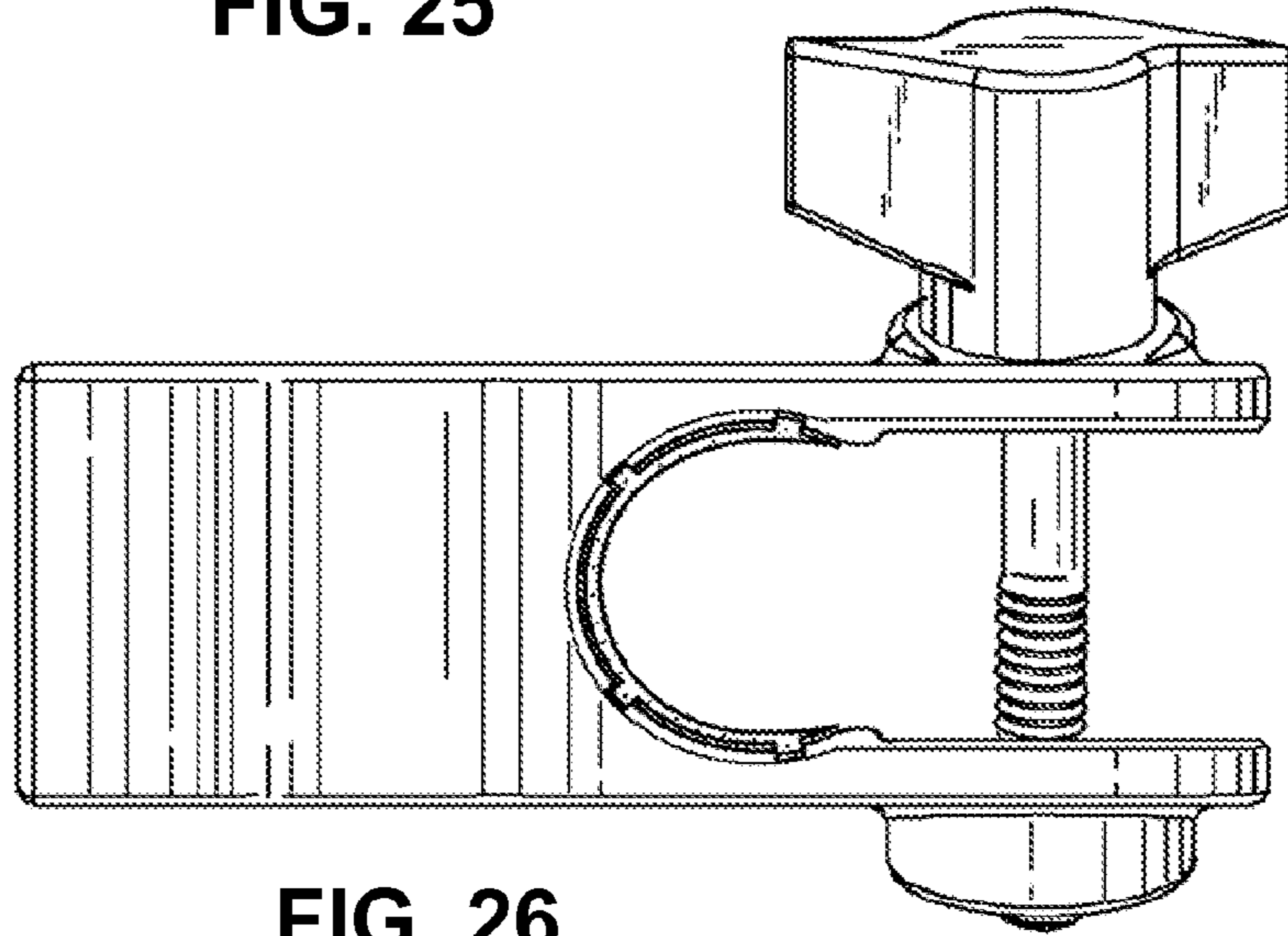


FIG. 26

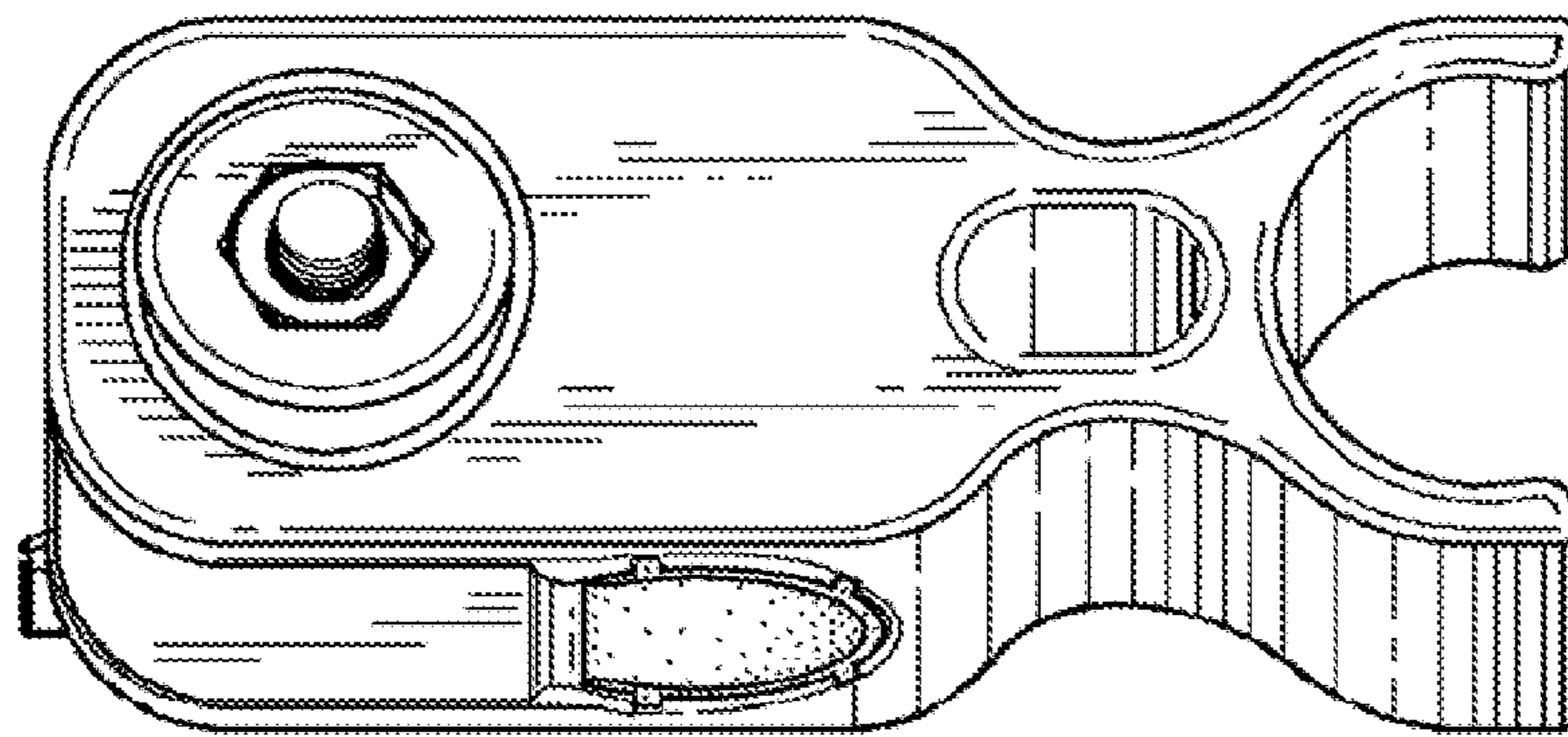


FIG. 27

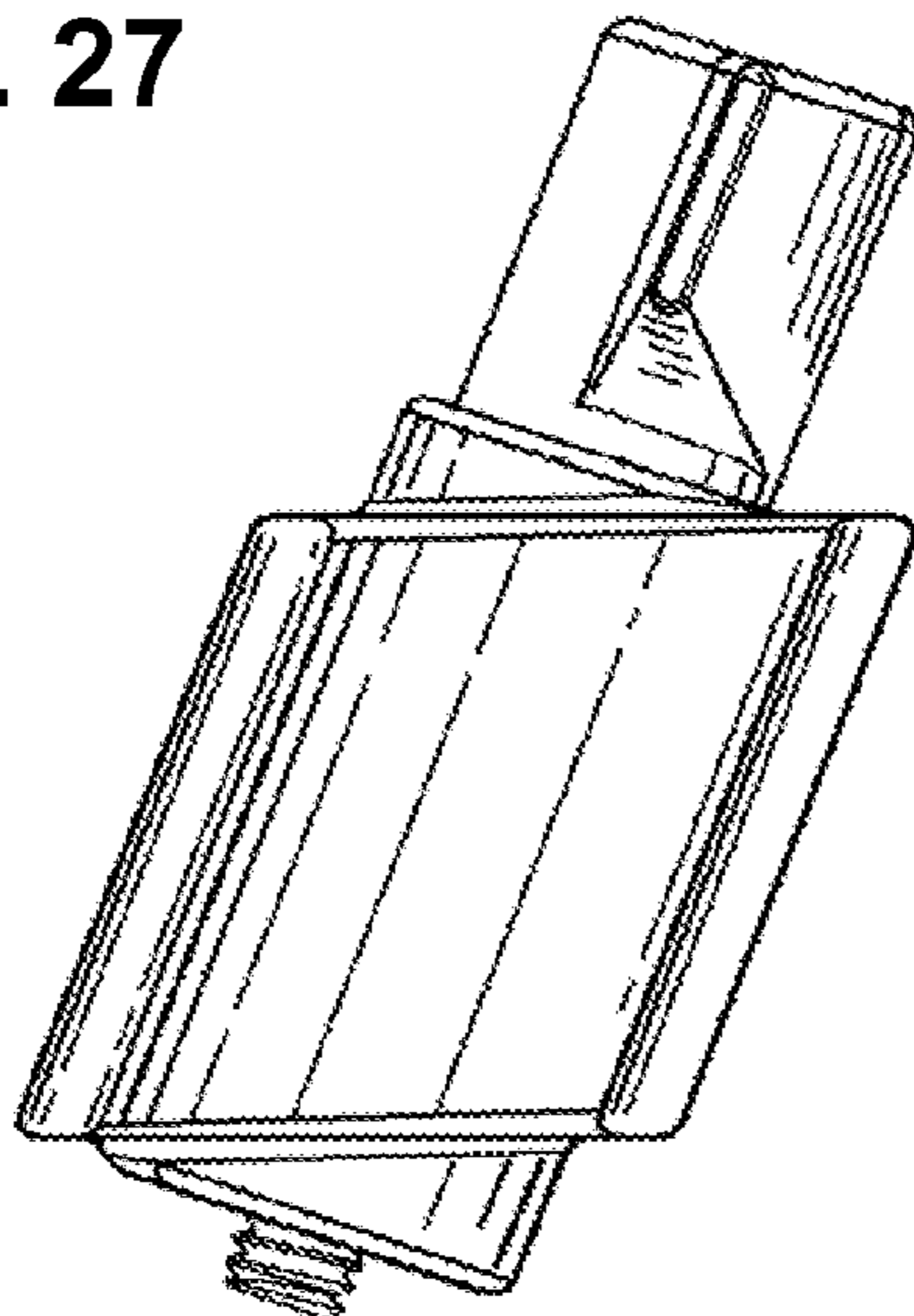


FIG. 28

