

US00D701792S

(12) **United States Design Patent**  
**Kelleghan**

(10) **Patent No.:** **US D701,792 S**

(45) **Date of Patent:** **\*\* Apr. 1, 2014**

(54) **SIDE SQUEEZE BUCKLE WITH INTEGRATED LED LIGHT**

FOREIGN PATENT DOCUMENTS

EP 0880913 12/1998

(71) Applicant: **Bison Designs, LLC**, Longmont, CO (US)

OTHER PUBLICATIONS

(72) Inventor: **Brian James Kelleghan**, Longmont, CO (US)

Instructables search results for "survival bracelet" Scan of website [http://www.instructables.com/pages/search/search.jsp?cx=partner-pub-1783560022203827%3Anpr2q7v5m6t&cof=FORID%3A11&ie=ISO-8859-1&q=survival+bracelet] showing prior art bracelets.

(73) Assignee: **Bison Designs LLC**, Longmont, CO (US)

(Continued)

(\*\*) Term: **14 Years**

*Primary Examiner* — Ralf Seifert

(21) Appl. No.: **29/448,779**

(74) *Attorney, Agent, or Firm* — Margaret Polson; Oppedahl Patent Law Firm LLC

(22) Filed: **Mar. 13, 2013**

(51) **LOC (10) Cl.** ..... **02-07**

(52) **U.S. Cl.**  
USPC ..... **D11/216**

(58) **Field of Classification Search**  
USPC ..... D11/1-2, 200-201, 206-210, 214-218;  
24/163 R, 169-171, 173, 177-179, 191,  
24/194-195, 197, 200, 614-616, 625, 198  
See application file for complete search history.

(57) **CLAIM**

The ornamental design for a side squeeze buckle with integrated LED light, as shown and described.

**DESCRIPTION**

FIG. 1 is a front side elevation view of my new design for a side squeeze buckle with integrated LED light.  
FIG. 2 is a back side elevation view of FIG. 1.  
FIG. 3 is a right side elevation view of FIG. 1.  
FIG. 4 left side elevation view of FIG. 1.  
FIG. 5 is a top side plan view of FIG. 1.  
FIG. 6 is a bottom side plan view of FIG. 1; and,  
FIG. 7 is a front side isometric view of FIG. 1 with the side of the buckle separated, it being understood that all other surfaces are the same as those of the FIG. 1.  
The features shown in broken lines in the drawing depict environmental subject matter only and form no part of the claimed design

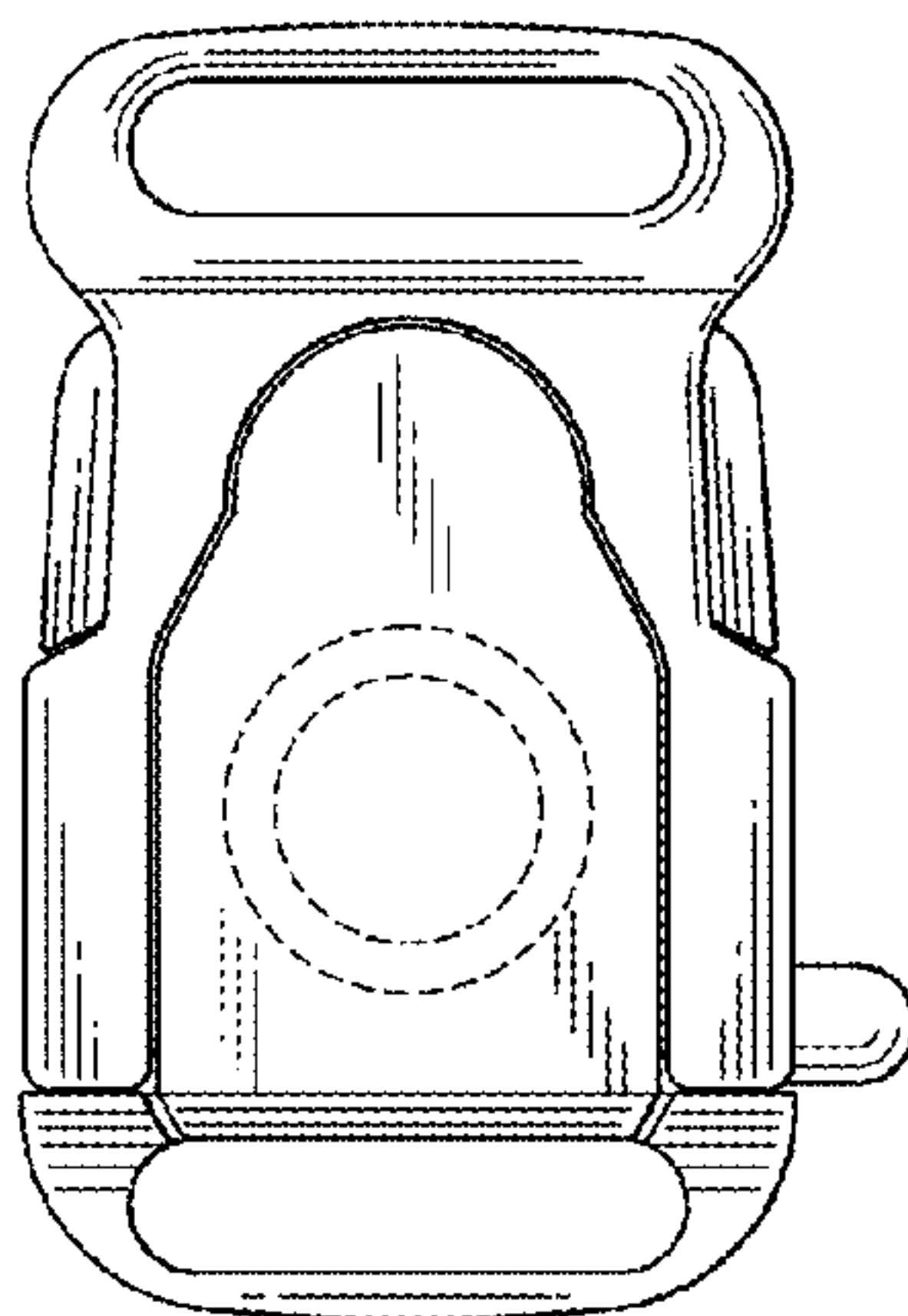
(56) **References Cited**

U.S. PATENT DOCUMENTS

734,167 A	7/1903	Gaisman	
4,177,522 A	12/1979	Auburn	
D296,310 S *	6/1988	Crowle	D11/216
D303,233 S	9/1989	Jang	
5,073,989 A	12/1991	Teague	
D349,262 S *	8/1994	Krauss	D11/216
D381,936 S	8/1997	Anscher	
D385,826 S *	11/1997	Anscher	D11/216
D424,977 S *	5/2000	Anscher	D11/216
6,805,460 B1	10/2004	Zoller et al.	
D516,754 S	3/2006	Curtis	

(Continued)

**1 Claim, 1 Drawing Sheet**



(56)

**References Cited**

U.S. PATENT DOCUMENTS

D516,756	S	3/2006	Curtis
7,219,406	B2	5/2007	Chui
D591,642	S	5/2009	Henderson et al.
7,566,140	B2	7/2009	Sevilla
D656,297	S	3/2012	Christian
D679,623	S	4/2013	Maier
D681,498	S	5/2013	Kornerup
2002/0092140	A1	7/2002	Van Tassel
2003/0074772	A1	4/2003	Chen
2006/0272136	A1	12/2006	Chui
2008/0134479	A1	6/2008	Kolasa et al.
2008/0185409	A1	8/2008	Kellenberger
2011/0048072	A1	3/2011	Mullen et al.
2011/0252649	A1	10/2011	Lovitz
2012/0159987	A1	6/2012	Walchle et al.
2013/0031935	A1	2/2013	Kelleghan

OTHER PUBLICATIONS

Instructables search results for “paracord bracelet with a side release” Scan of website [<http://www.instructables.com/pages/search/search.jsp?cx=partner-pub-1783560022203827%3Anpr2q7v5m6t&cof=FORID%3A11&ie=ISO-8859-1&q=paracord+bracelet+with+a+side+release>] showing prior art bracelets.

Paracord bracelet with a side release buckle Scan of website [<http://www.instructable.com/id/Paracord-bracelet-with-a-side-release-buckle/>] showing prior art bracelet authored by Stormdrane.

Stormdrane’s Blog Scan of website [[http://stormdrane.blogspot.com/2006\\_02\\_01\\_archive.htm](http://stormdrane.blogspot.com/2006_02_01_archive.htm)] showing prior art bracelets.

Survival-Bracelets (Updated!) Scan of website [<http://www.instructables.com/id/Survival-Bracelet/>] showing prior art bracelet authored by tevers94.

www.Survival-Bracelets.com Scan of website [[http://www.survival-bracelets.com/survival\\_bracelets](http://www.survival-bracelets.com/survival_bracelets)] showing prior art bracelets.

Blade HQ Scan of website [<http://www.bladehq.com/cat--Survival-Bracelets--437>] showing prior art bracelets.

Messina’s Front Line Survival Gear Para Cord Survival Bracelet Scan of website [[http://www.flsgear.com/index.php?c=survival&=3375251&k=para+cord+survival+bracelet&s=rc&p=2&x=Survival\\_para\\_cord\\_survival\\_bracelet](http://www.flsgear.com/index.php?c=survival&=3375251&k=para+cord+survival+bracelet&s=rc&p=2&x=Survival_para_cord_survival_bracelet)] showing prior art bracelets.

Paracord Paul’s Outpost Paracord Survival Bracelets Scan of website [<http://www.paracordpaulsoutpost.com/cat-paracord-bracelets.cfm>] showing prior art bracelets.

U.S. Cavalry 550 Paracord Survival Bracelet Scan of website [<http://www.uscav.com/productinfo.aspx?productID=21100&TabID=548>] showing a prior art bracelet.

Amazon search results for “Survival Bracelet” Printout of results of an Amazon search for sellers utilizing the term “survival bracelet”.

Google search results for “Survival Bracelet” Printout of first 4 pages of results of a Google search for the term “survival bracelet”.

U.S. Appl. No. 29/394,324, filed Jun. 15, 2011; First Named Inventor: Brian James Kelleghan.

U.S. Appl. No. 29/398,304, filed Jul. 28, 2011; First Named Inventor: Brian James Kelleghan.

U.S. Appl. No. 29/422,111, filed May 16, 2012; First Named Inventor: Brian James Kelleghan.

U.S. Appl. No. 29/448,729, filed Mar. 13, 2013; First Named Inventor: Brian James Kelleghan.

U.S. Appl. No. 13/841,046, filed Mar. 15, 2013; First Named Inventor: Brian James Kelleghan.

<http://2.bp.blogspot.com/-xzqILFpj3ZY/T4ngor2BM4I/AAAAAAAAAAY/sm0cvGsGUEI/s1600/BO09WT202.jpg>. Accessed May 15, 2013. The bracelet shown is admitted prior art to current design by Applicant.

<http://images2.opticsplanet.com/365-240-ffffff/opplanet-boker-usa-plus-survival-bracelet-olive-9in-09jg233-main.jpg>. Accessed May 15, 2013. The bracelet shown is admitted prior art to current design by Applicant.

<http://willowhavenoutdoor.com/wp-content/uploads/2011/02/olive-drab-para-cord-bracelet.jpg>. Accessed May 15, 2013. The bracelet shown is admitted prior art to current design by Applicant.

\* cited by examiner

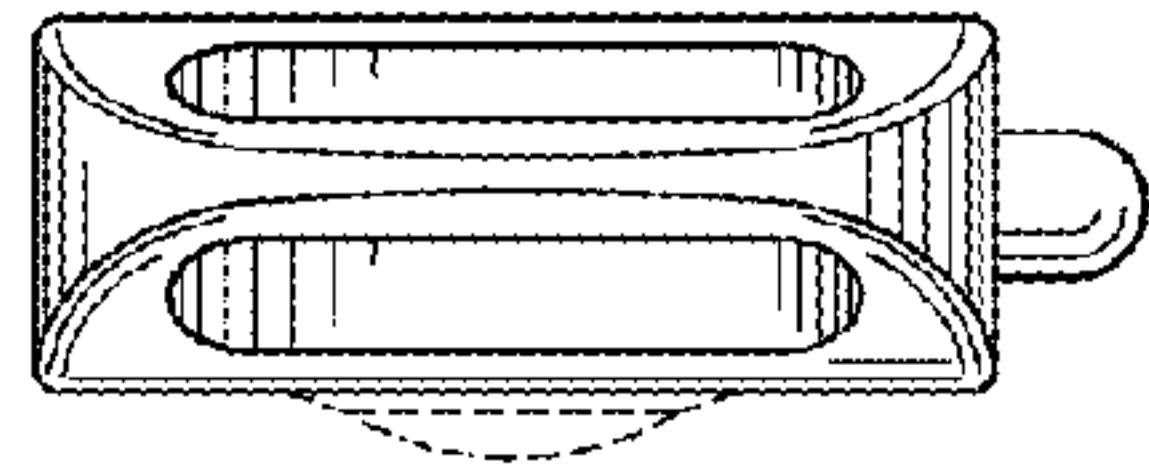


FIG. 5

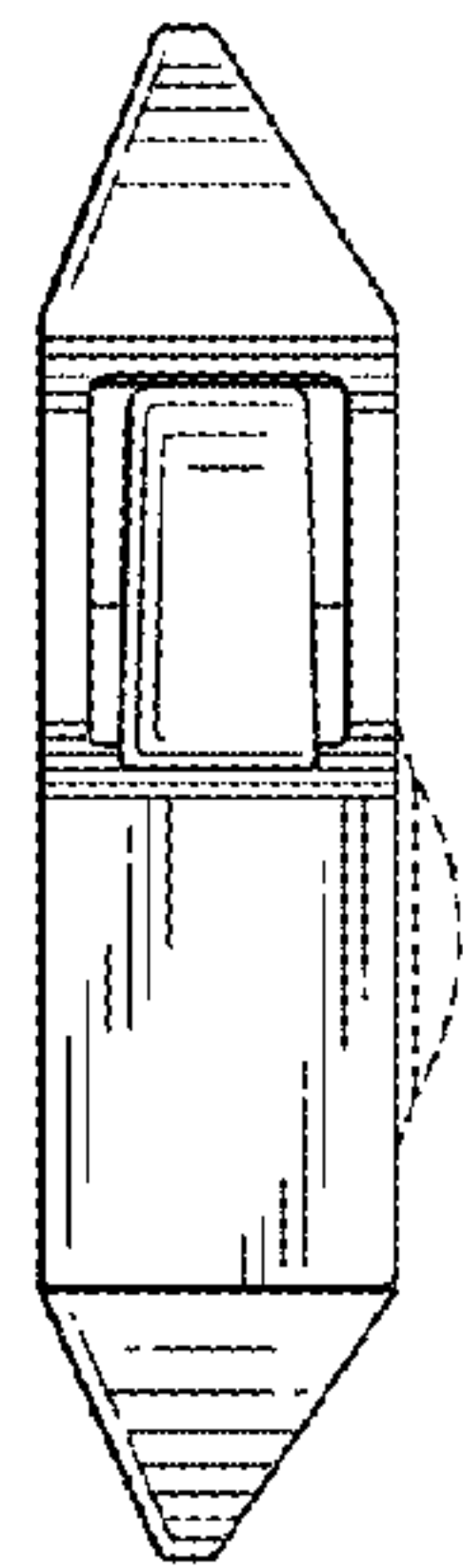


FIG. 3

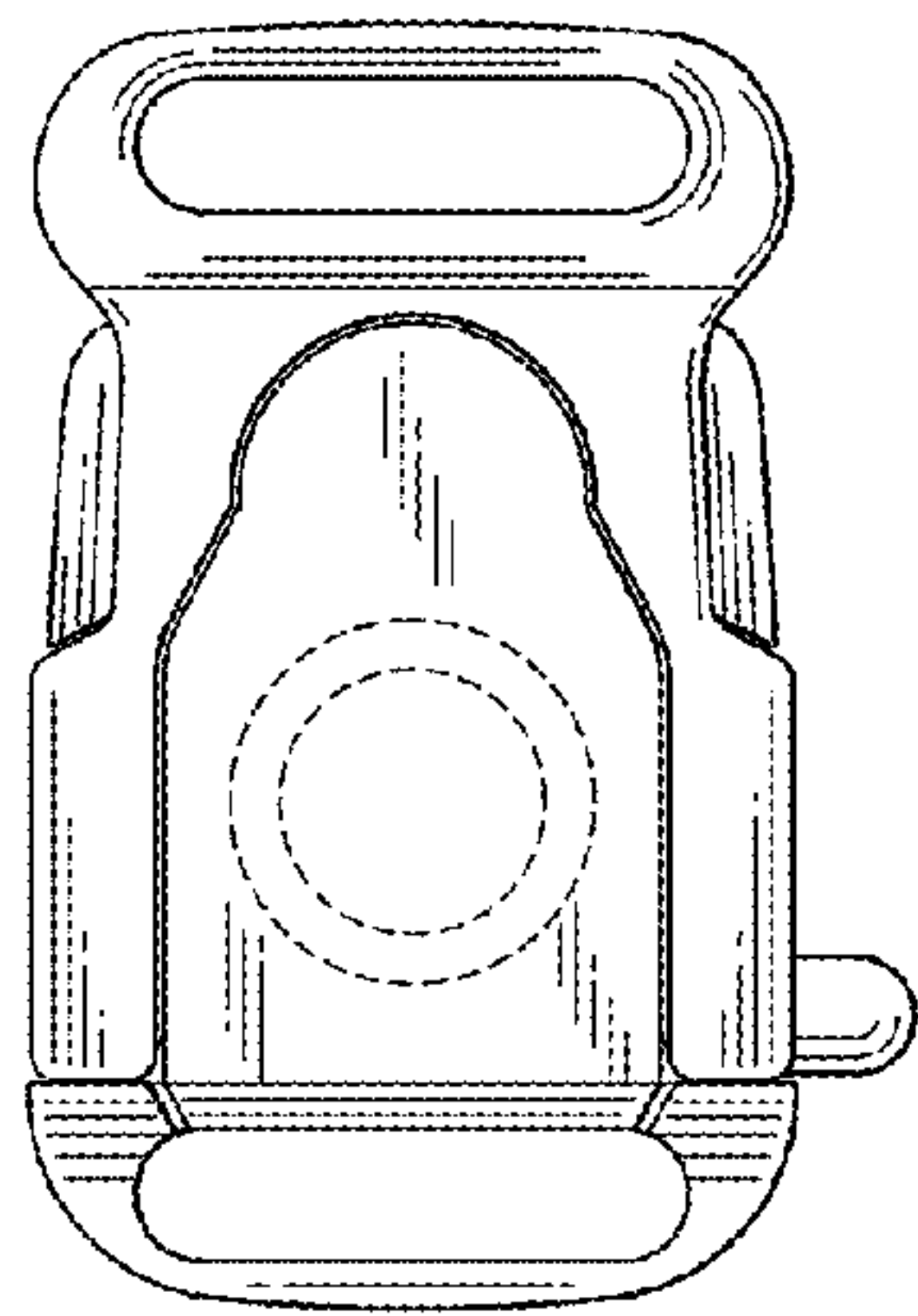


FIG. 1

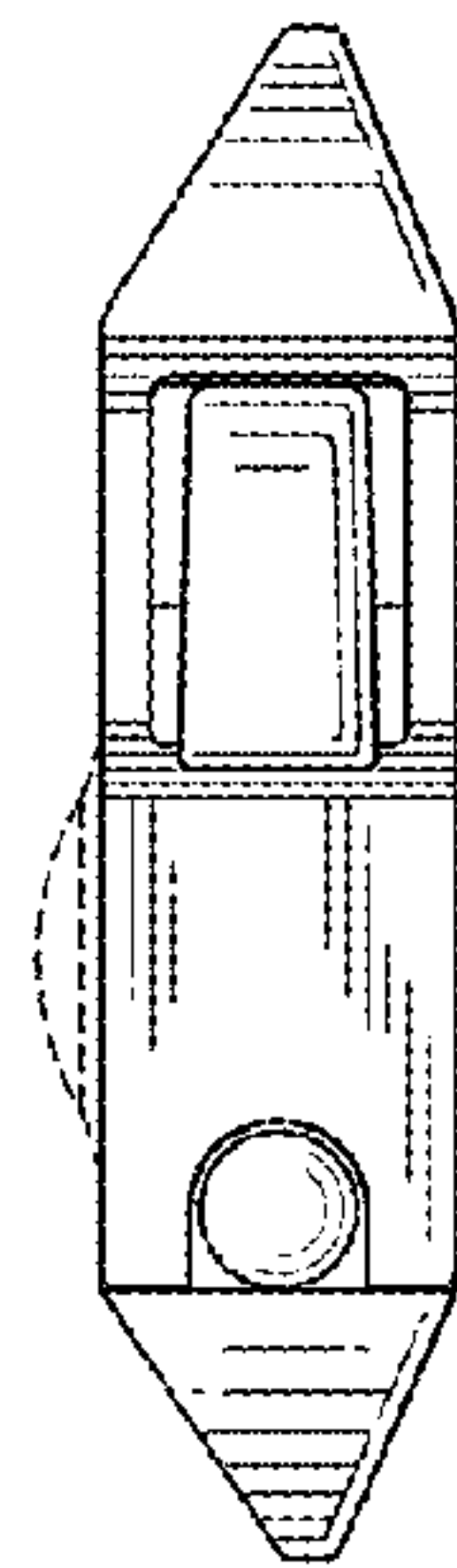


FIG. 4

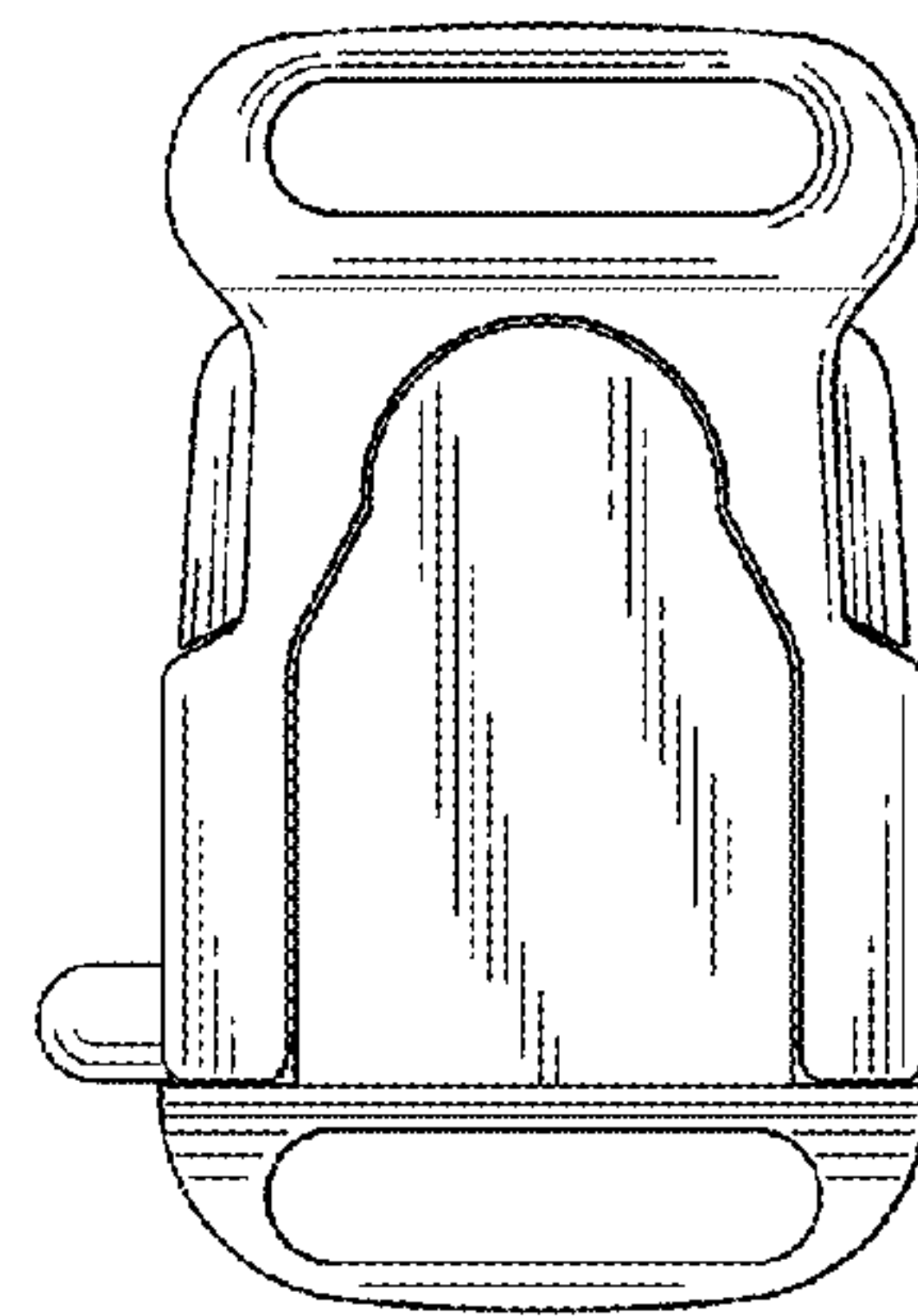


FIG. 2

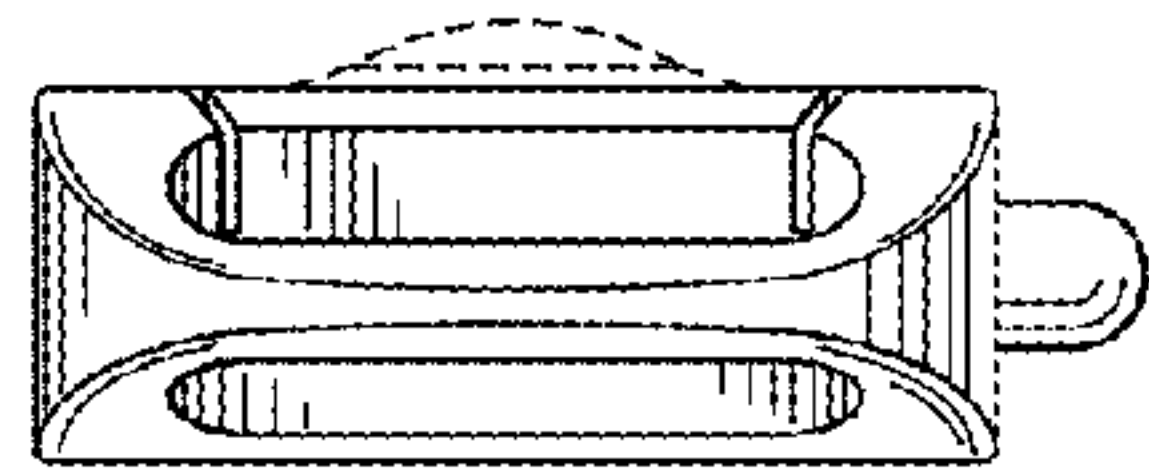


FIG. 6

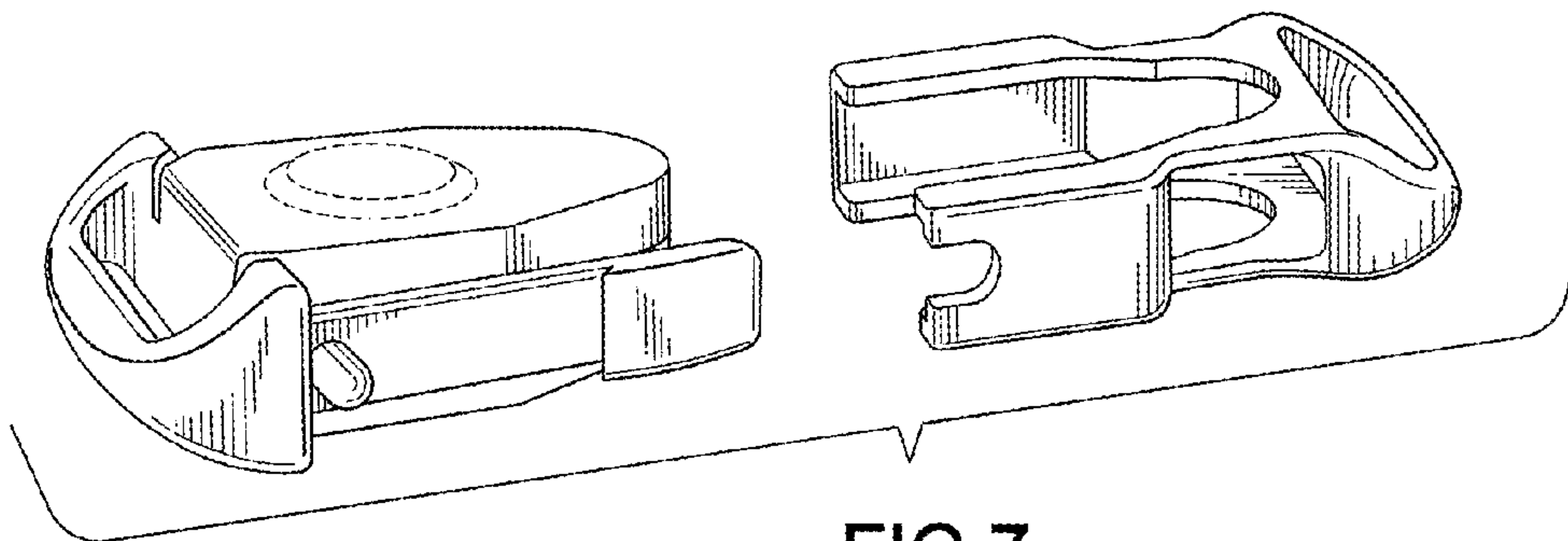


FIG. 7