



US00D701786S

(12) **United States Design Patent**
Nishizawa et al.

(10) **Patent No.:** **US D701,786 S**

(45) **Date of Patent:** **** Apr. 1, 2014**

(54) **TOY RING**

(71) Applicant: **Bandai Co., Ltd.**, Tokyo (JP)

(72) Inventors: **Kiyoto Nishizawa**, Tokyo (JP); **Osamu Abe**, Tokyo (JP); **Akira Onodera**, Tokyo (JP)

(73) Assignee: **Bandai Co., Ltd.**, Tokyo (JP)

(**) Term: **14 Years**

(21) Appl. No.: **29/440,189**

(22) Filed: **Dec. 19, 2012**

(30) **Foreign Application Priority Data**

Jun. 25, 2012 (JP) 2012-014989

(51) **LOC (10) Cl.** **11-01**

(52) **U.S. Cl.**
USPC **D11/26**

(58) **Field of Classification Search**
USPC D11/1-25, 26-39; 63/15, 15.1-15.4,
63/15.45, 15.5, 15.6, 15.65, 29.1, 29.2;
D21/420, 426, 588, 578, 579
See application file for complete search history.

(56) **References Cited**

U.S. PATENT DOCUMENTS

D154,017 S * 6/1949 Barbieri D11/27
D168,769 S * 2/1953 Steiner D11/29

D170,526 S * 10/1953 Del Mas D11/26
D262,197 S * 12/1981 Barr D11/34
D265,067 S * 6/1982 Grosskopf D11/30
D267,706 S * 1/1983 Shapiro D11/34
D411,131 S * 6/1999 Chen D11/27
D565,990 S * 4/2008 Allin D11/26
D596,521 S * 7/2009 Fuchs D11/26
D596,522 S * 7/2009 Fuchs D11/26
D601,055 S * 9/2009 Boghossian D11/34
D687,332 S * 8/2013 Nishizawa et al. D11/26
D687,333 S * 8/2013 Nishizawa et al. D11/26

* cited by examiner

Primary Examiner — Garth Rademaker

Assistant Examiner — Melanie Pellegrini

(74) *Attorney, Agent, or Firm* — Rabin & Berdo, P.C.

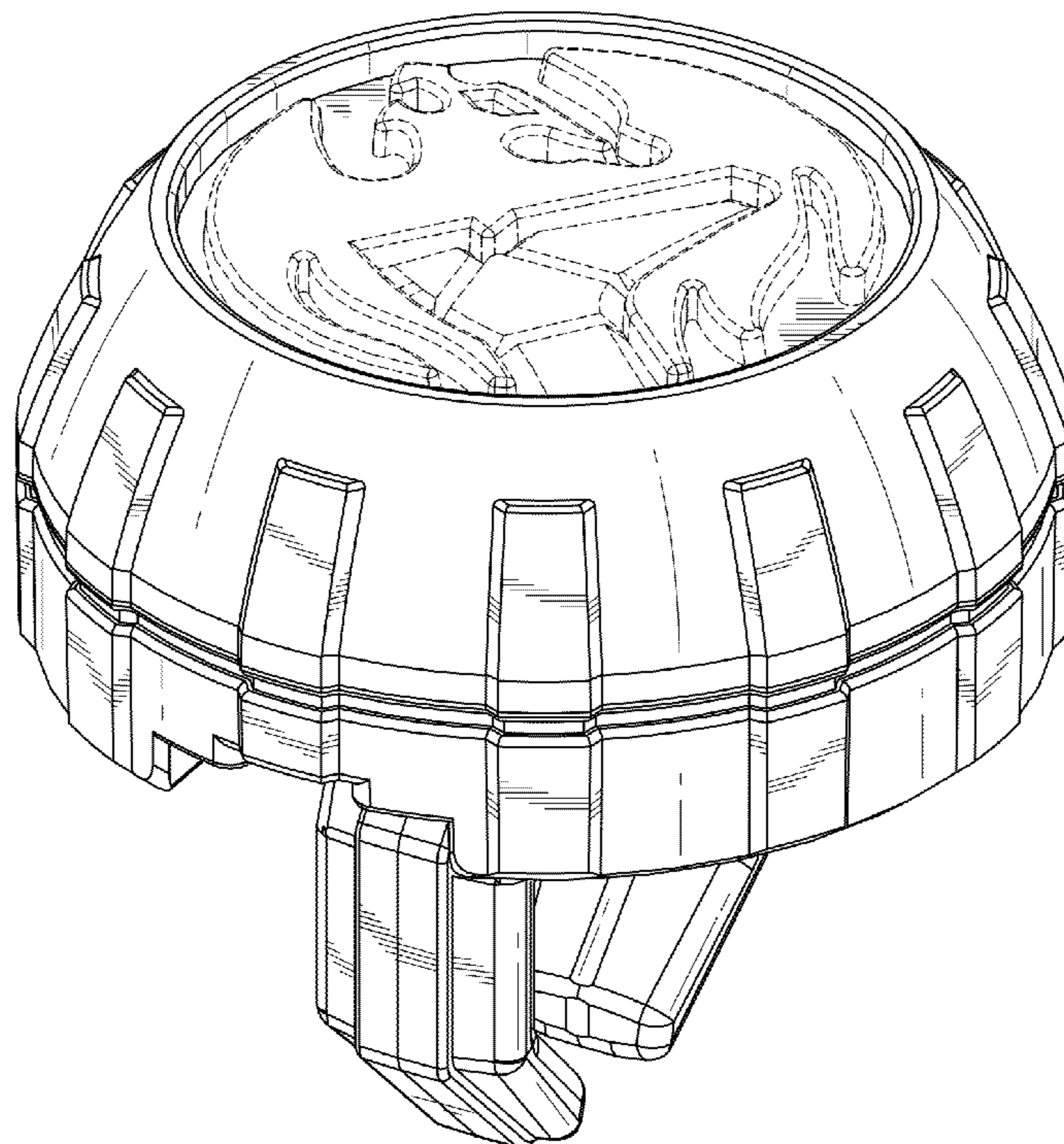
(57) **CLAIM**

The ornamental design for a toy ring, as shown and described.

DESCRIPTION

FIG. 1 is a perspective view of a toy ring;
FIG. 2 is a another perspective view thereof;
FIG. 3 is a front view thereof;
FIG. 4 is a rear view thereof;
FIG. 5 is a top view thereof;
FIG. 6 is a bottom view thereof;
FIG. 7 is a right side view thereof; and,
FIG. 8 is a left side view thereof.
The features shown in broken lines form no part of the
claimed design.

1 Claim, 8 Drawing Sheets



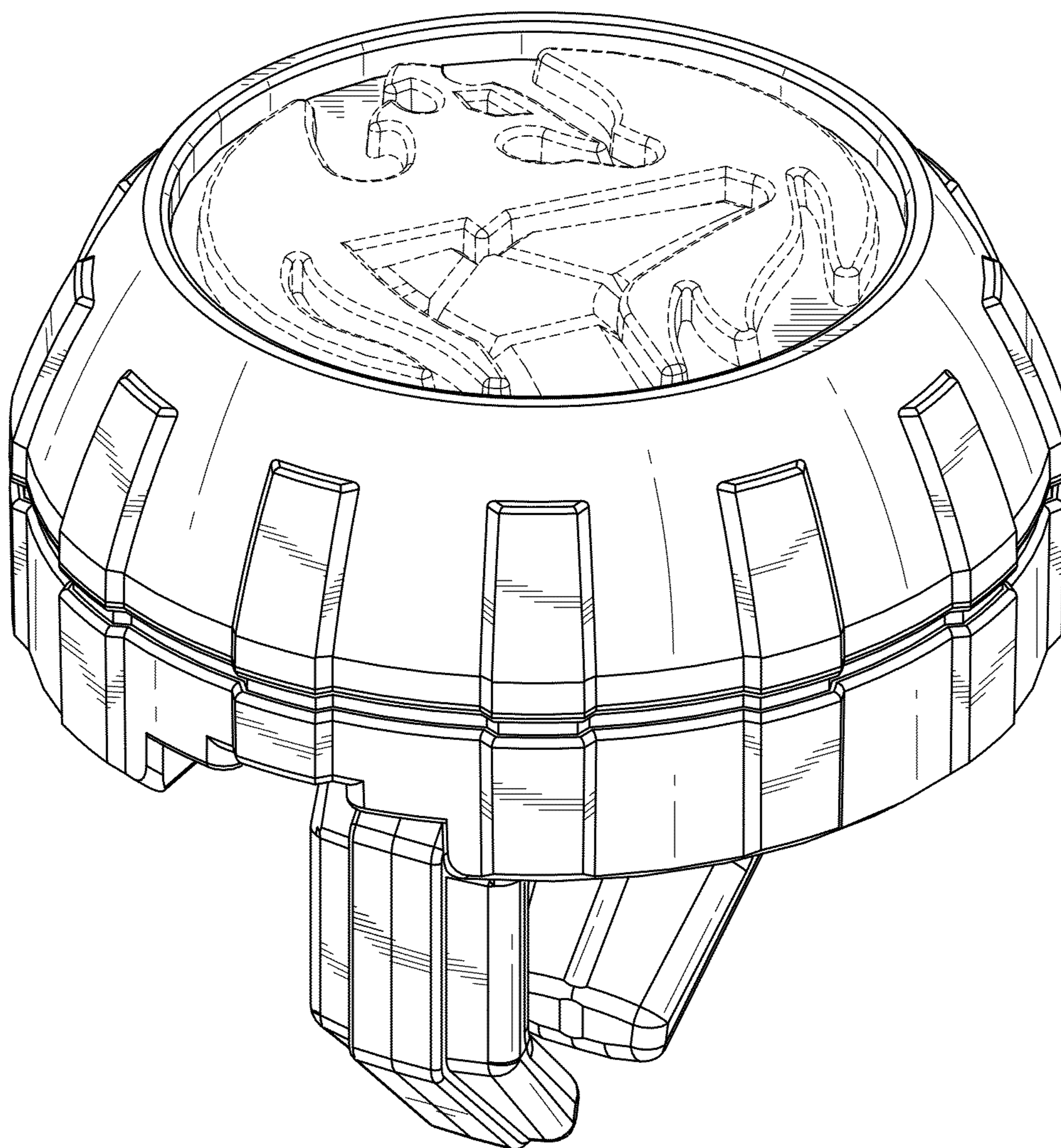


FIG. 1

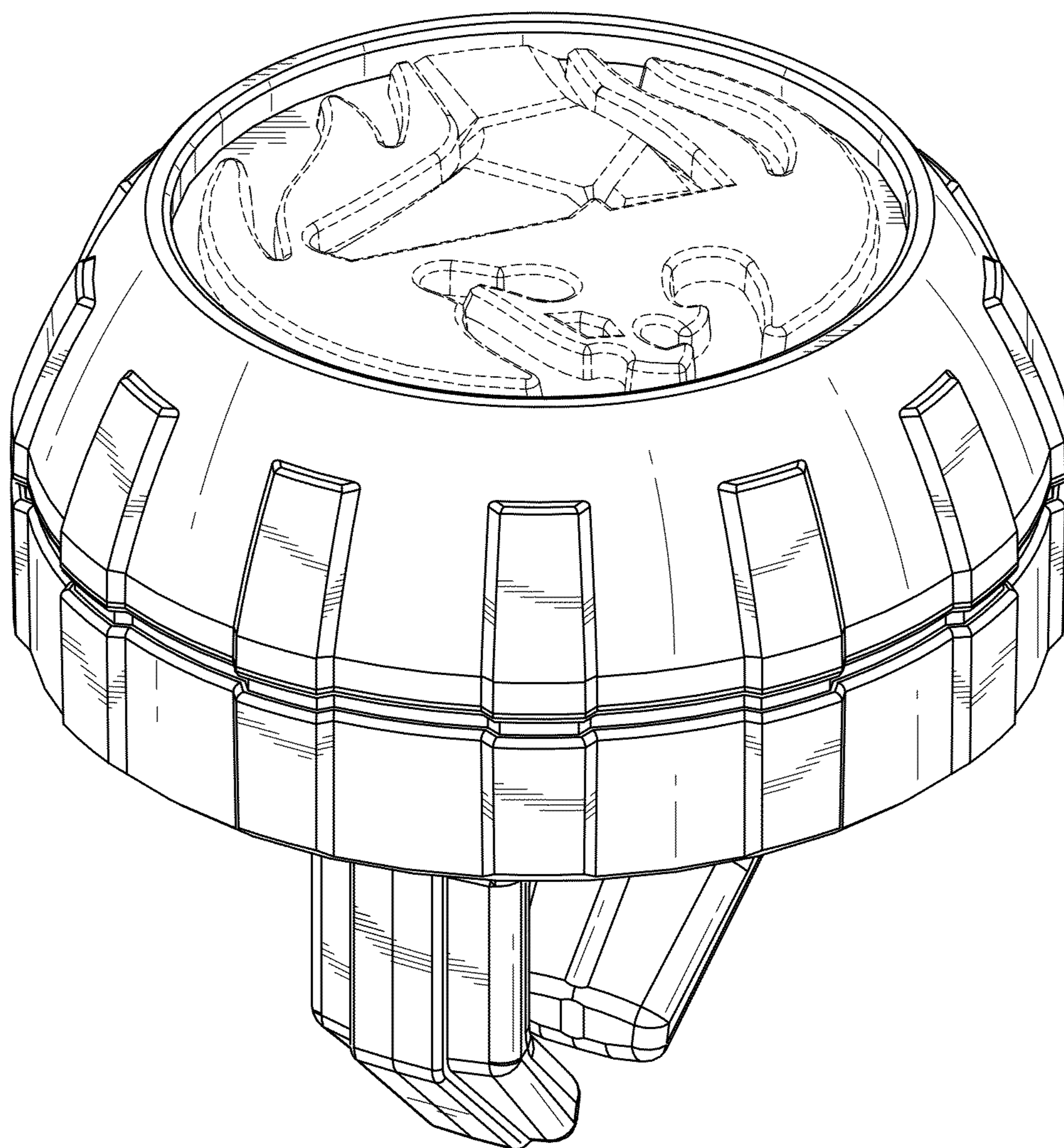


FIG. 2

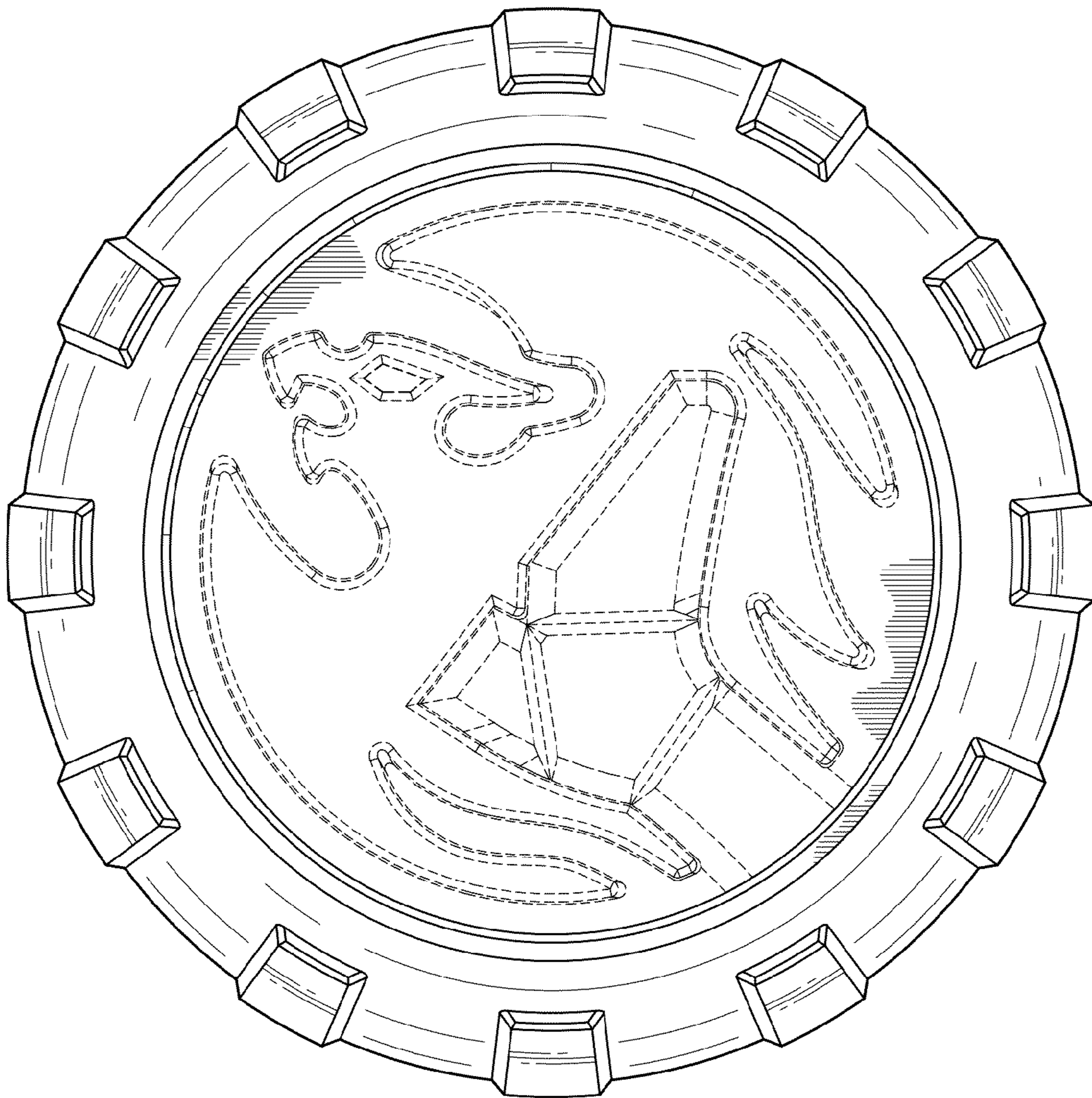


FIG. 3

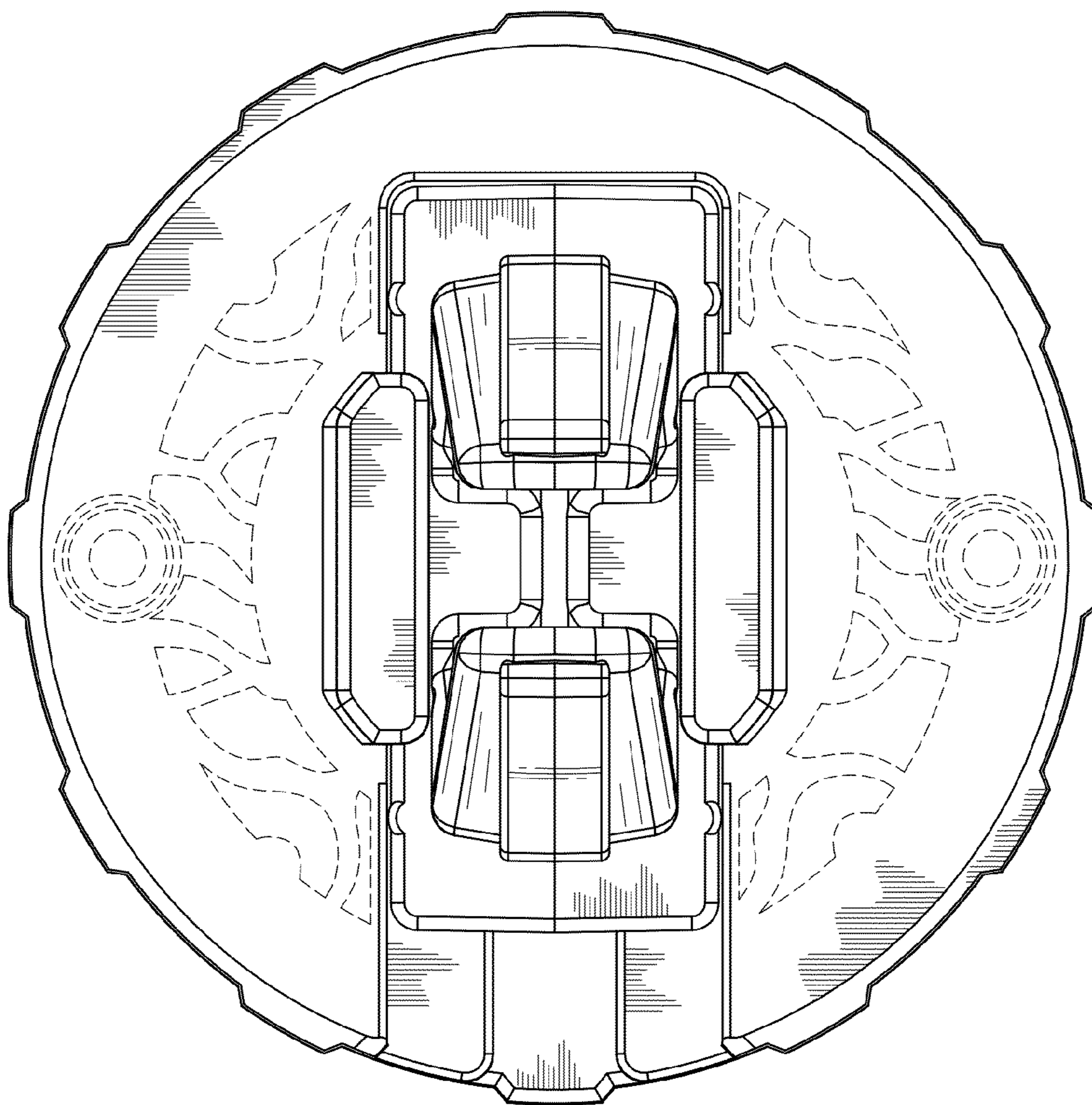


FIG. 4

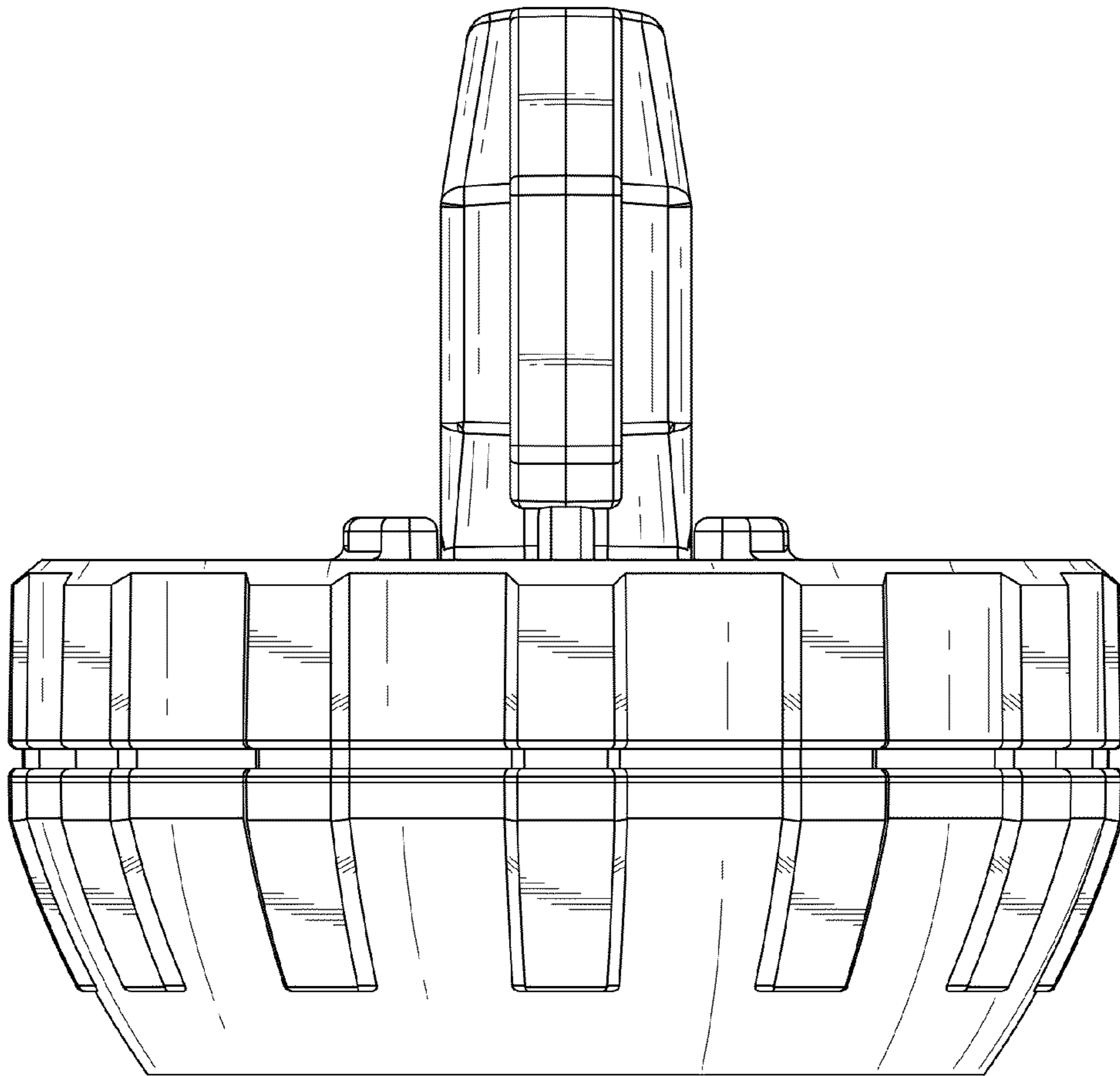


FIG. 5

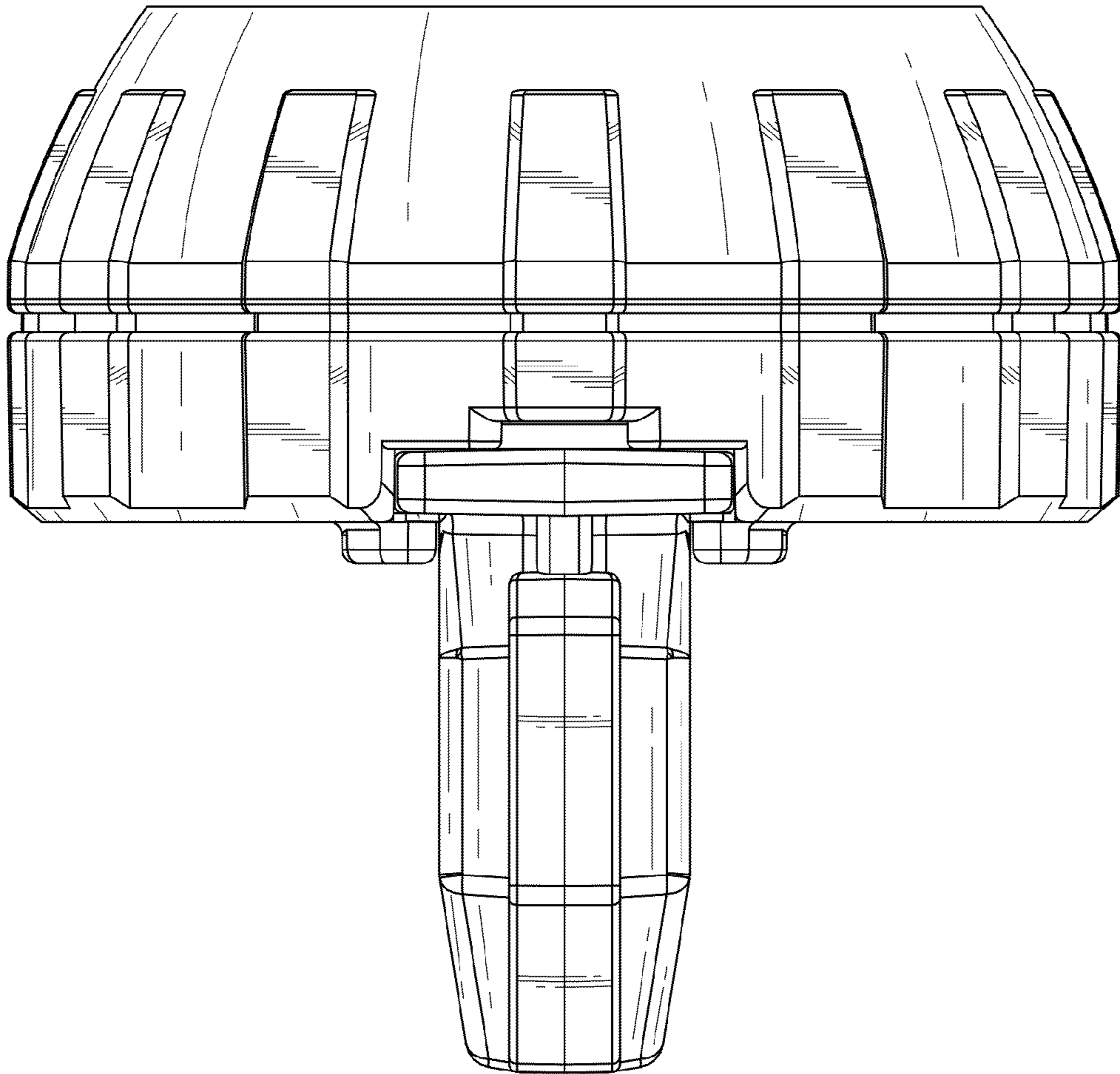


FIG. 6

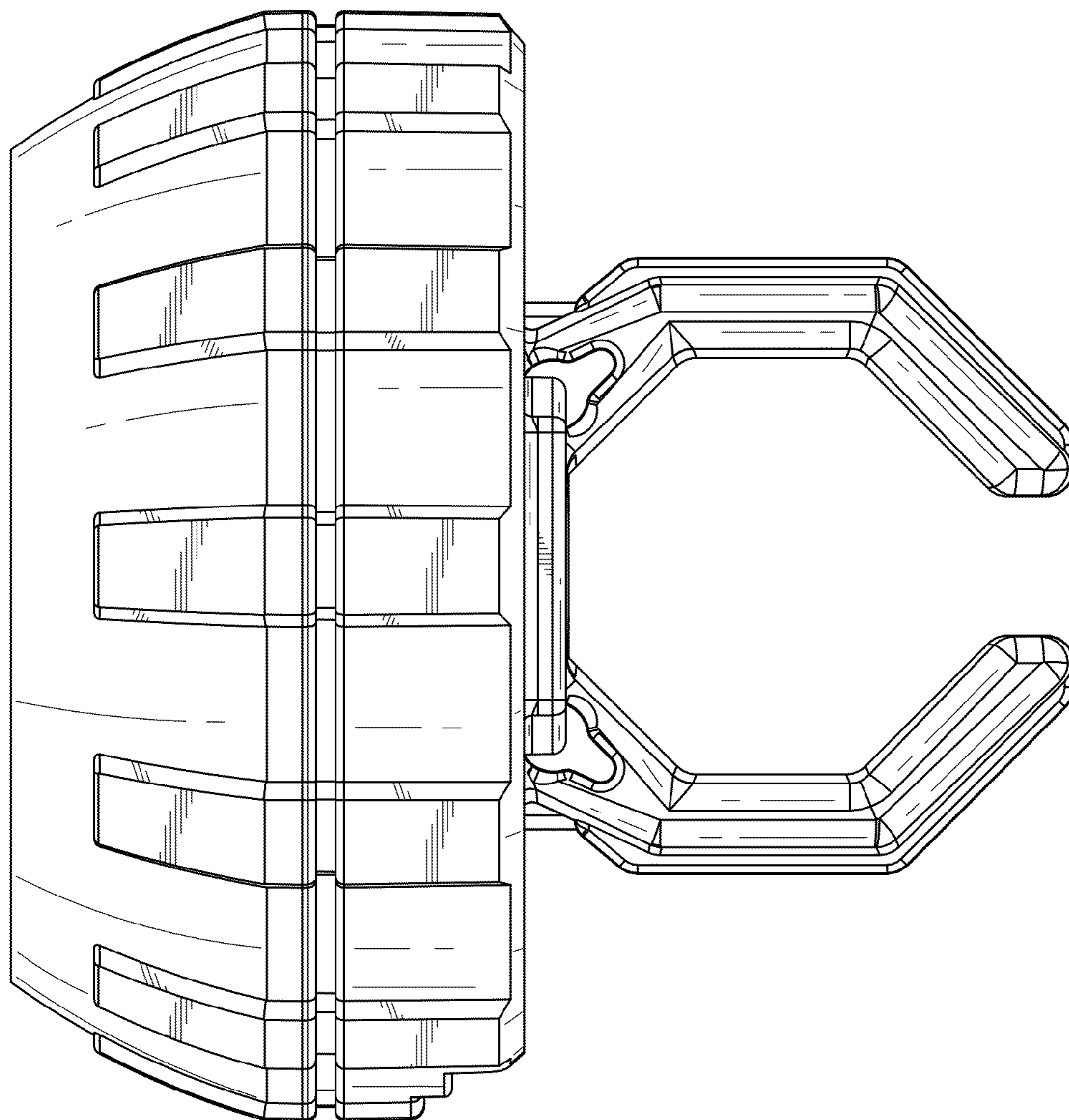


FIG. 7

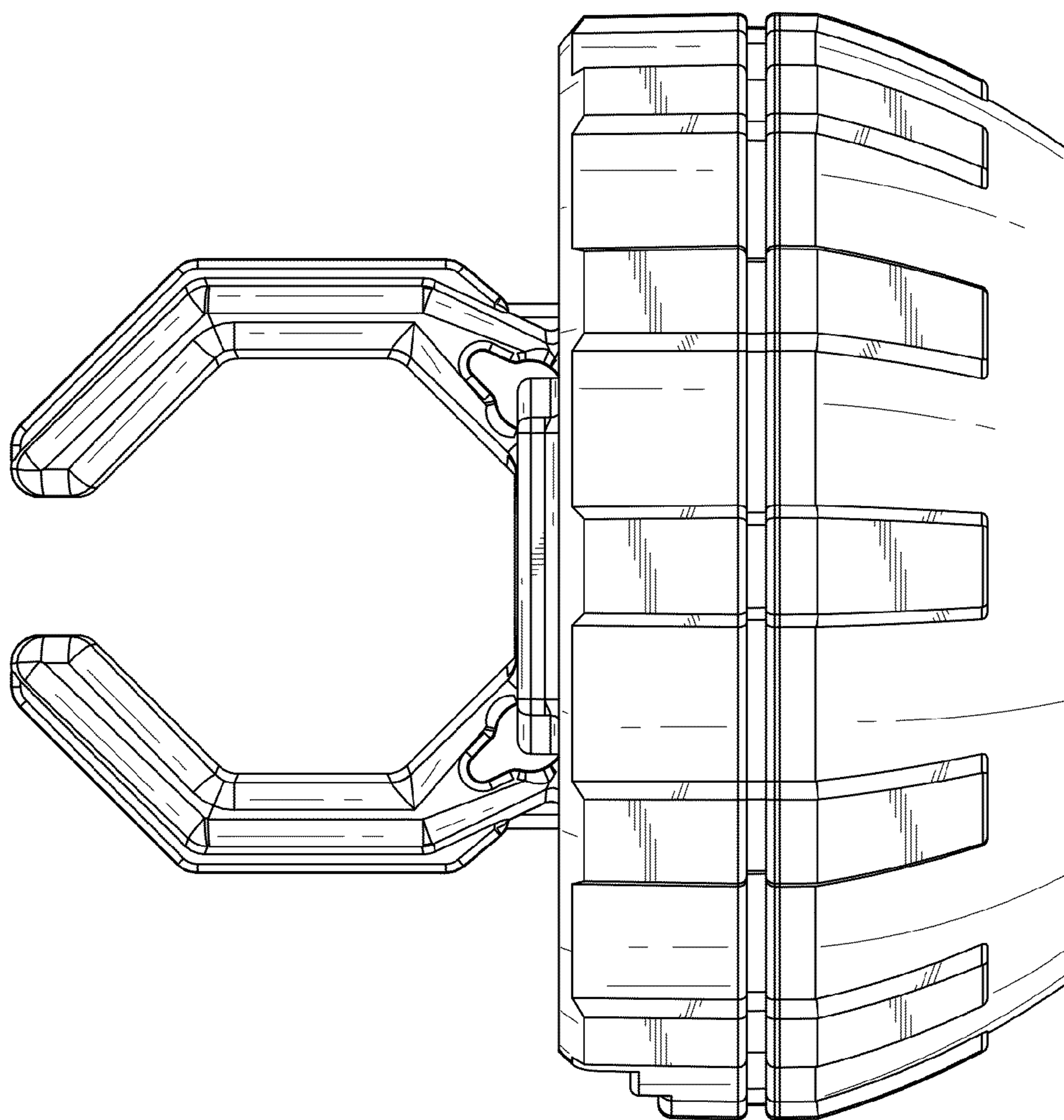


FIG. 8