



US00D701785S

(12) **United States Design Patent**
Saikawa et al.

(10) **Patent No.:** **US D701,785 S**

(45) **Date of Patent:** **** Apr. 1, 2014**

(54) **OPERATION BUTTON FOR ELEVATOR**

(75) Inventors: **Yoshinori Saikawa**, Tokyo (JP);
Toshihisa Ogura, Tokyo (JP); **Eiji Yuasa**, Tokyo (JP)

(73) Assignee: **Mitsubishi Electric Corporation**,
Tokyo (JP)

(**) Term: **14 Years**

(21) Appl. No.: **29/403,850**

(22) Filed: **Oct. 12, 2011**

(30) **Foreign Application Priority Data**

Apr. 13, 2011 (JP) D2011-008480

(51) **LOC (10) Cl.** **10-05**

(52) **U.S. Cl.**
USPC **D10/108; D13/171**

(58) **Field of Classification Search**
USPC D10/108; D21/812; 340/474; 200/520,
200/341; D13/158, 171, 174; 187/389-391,
187/396-397, 380, 390

See application file for complete search history.

(56) **References Cited**

U.S. PATENT DOCUMENTS

1,583,507	A	5/1926	Van Bloem	
D317,137	S *	5/1991	Kulikowski et al.	D10/108
D349,360	S *	8/1994	Gonsior	D26/125
5,390,766	A	2/1995	Martin	
D364,380	S	11/1995	Cunningham	
D446,240	S	8/2001	Harvey	
D447,140	S	8/2001	Mittler	

D451,482	S *	12/2001	Vanderheiden et al.	D13/162
D456,293	S *	4/2002	Tsumura et al.	D10/108
D562,410	S *	2/2008	Mitchell	D21/385
D614,150	S	4/2010	Crites	
D663,640	S	7/2012	Saikawa et al.	

OTHER PUBLICATIONS

Office Action dated Aug. 9, 2012, issued by the Korean Intellectual Property Office in counterpart Application No. 30-2011-0042144.
Korean Office Action dated Aug. 10, 2012 issued by the Korean Intellectual Property Office in counterpart Korean Patent Application No. 30-2011-0042141.
Notice of Allowance dated Mar. 13, 2012 issued in related U.S. Appl. No. 29/403,852.

* cited by examiner

Primary Examiner — George D Kirschbaum

(74) *Attorney, Agent, or Firm* — Sughrue Mion, PLLC

(57) **CLAIM**

The ornamental design for an operation button for elevator, as shown and described.

DESCRIPTION

FIG. 1 is a perspective view of front, right and top plan side of an operation button for elevator showing our new design;
FIG. 2 is a front view thereof;
FIG. 3 is a rear view thereof;
FIG. 4 is a top plan view thereof;
FIG. 5 is a bottom view thereof;
FIG. 6 is a left side view thereof; and,
FIG. 7 is a right side view thereof.

1 Claim, 5 Drawing Sheets

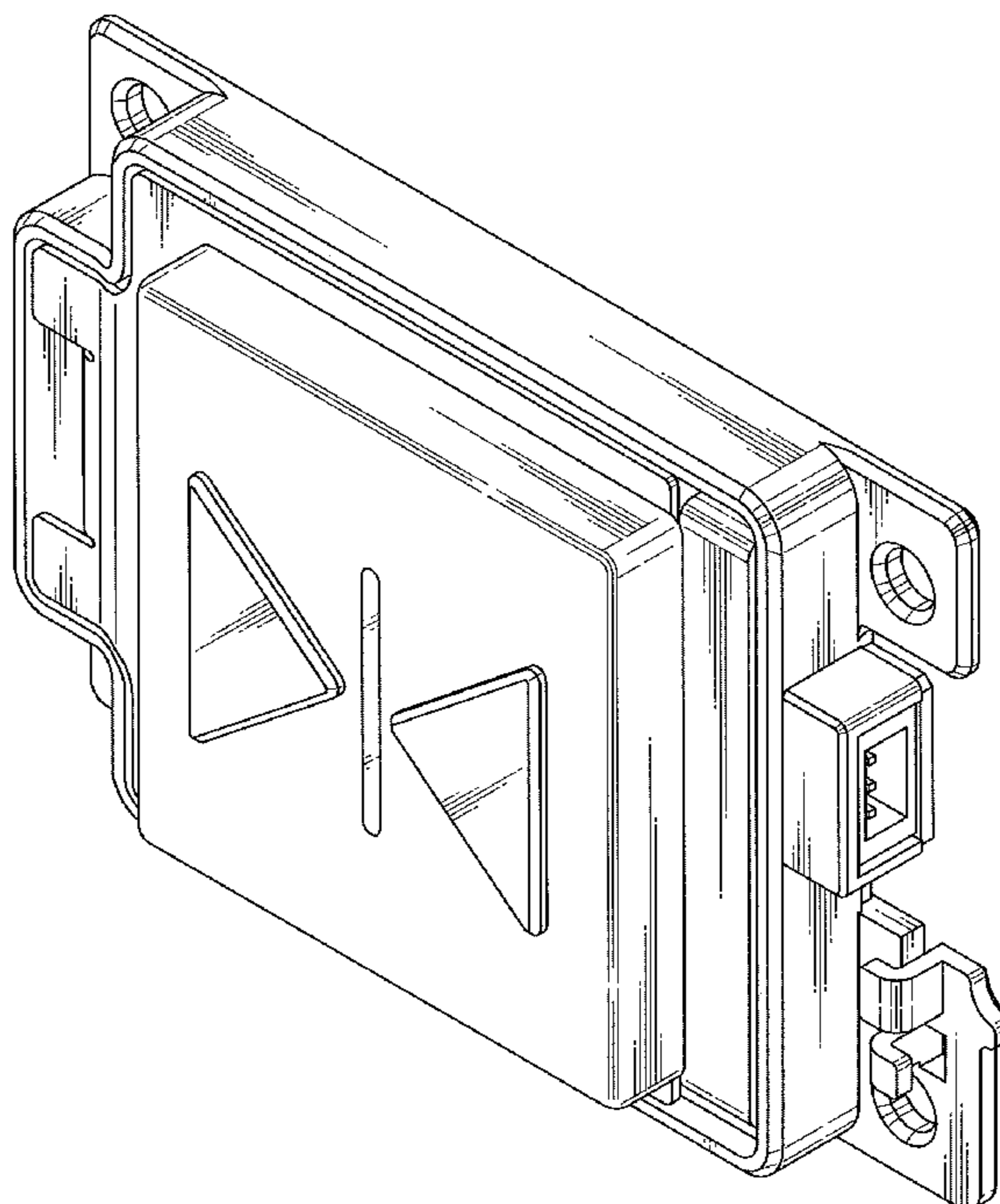


Fig. 1

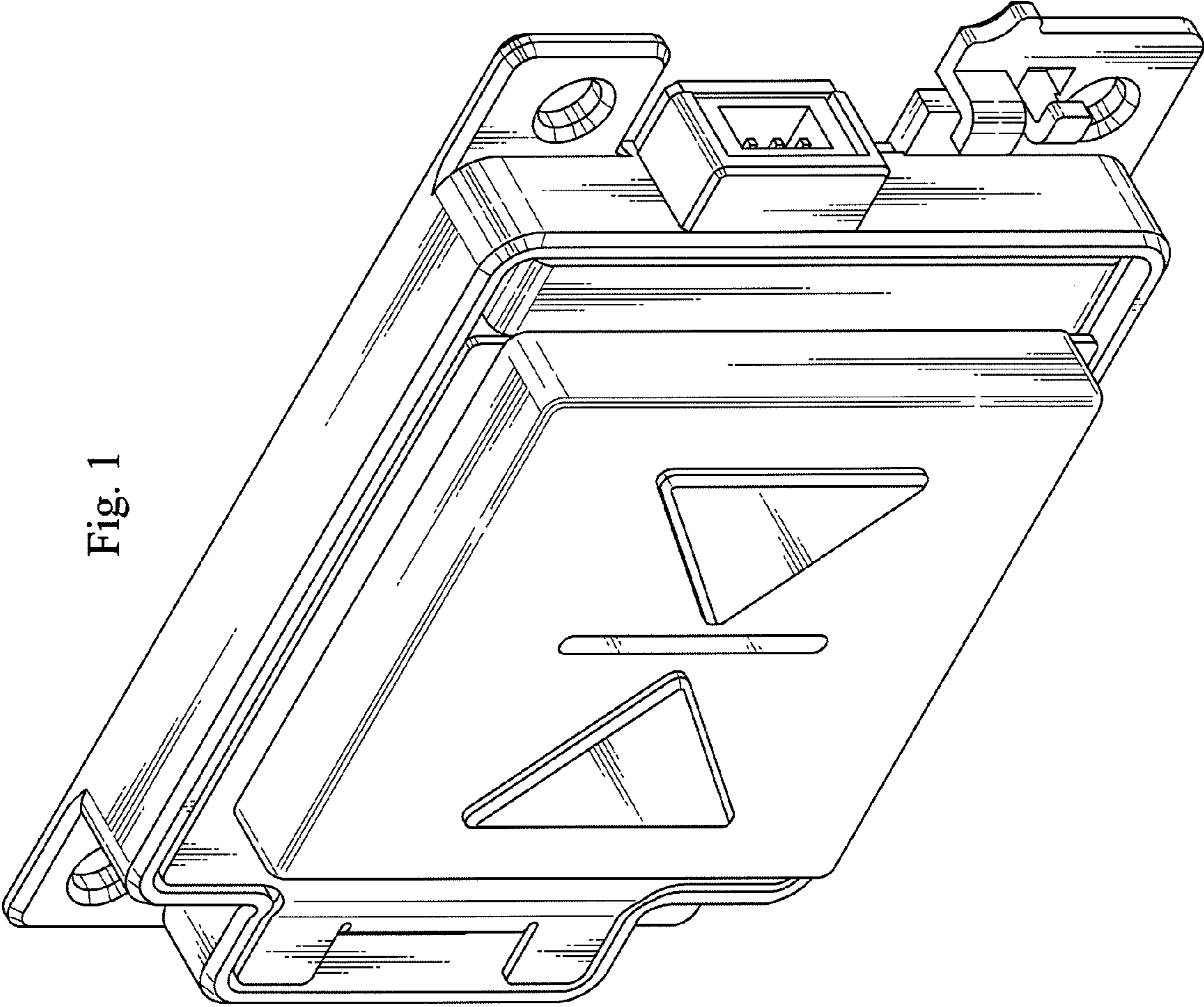


Fig. 2

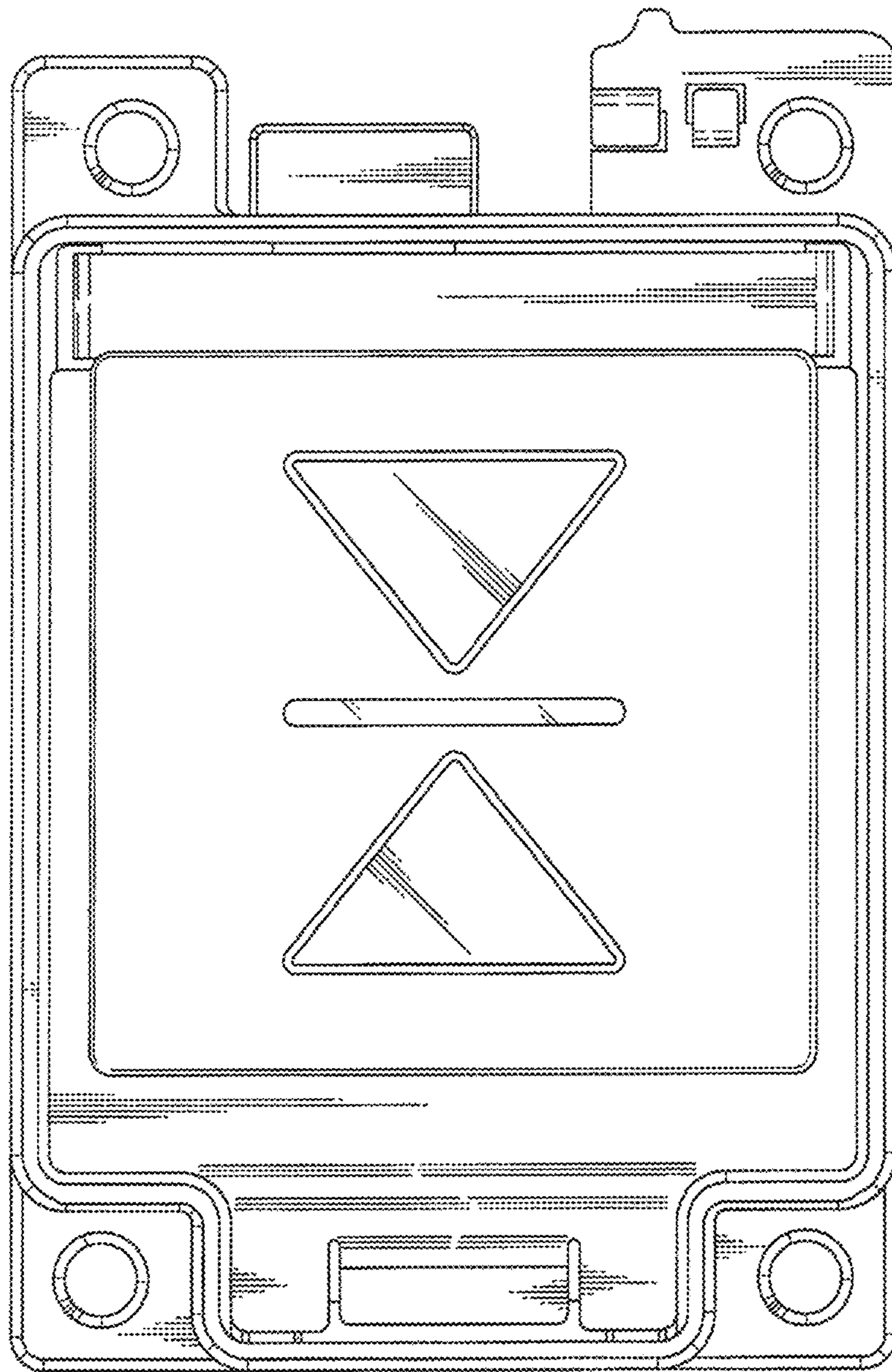


Fig. 3

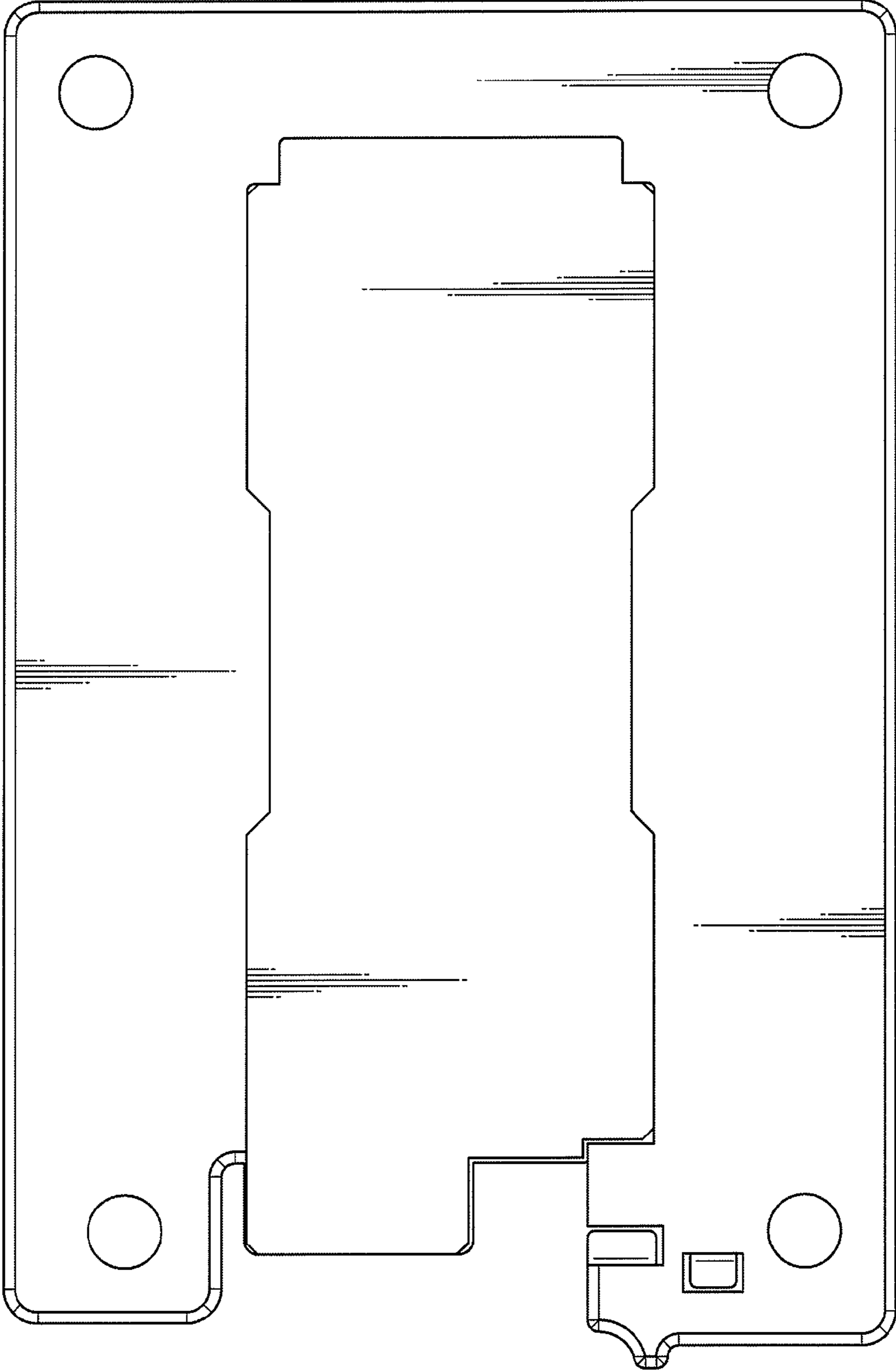


Fig. 4

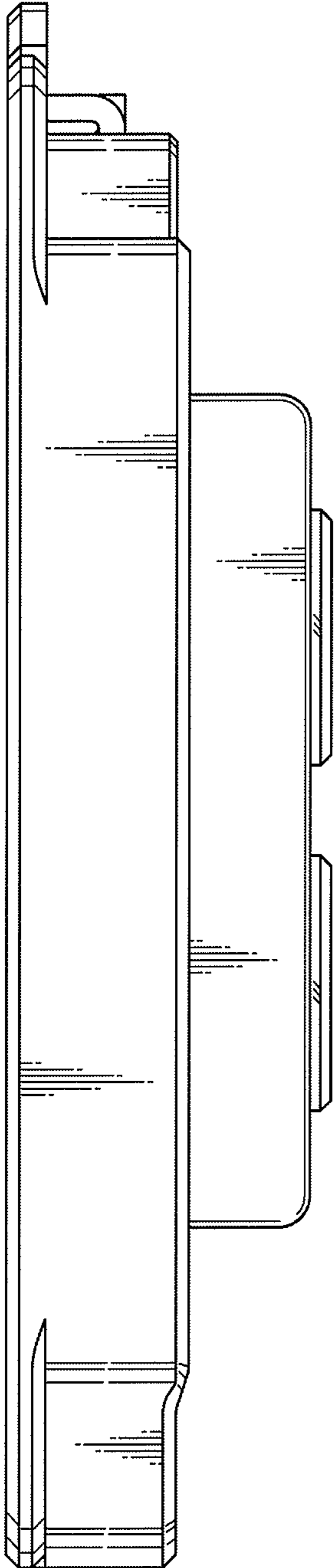


Fig. 5

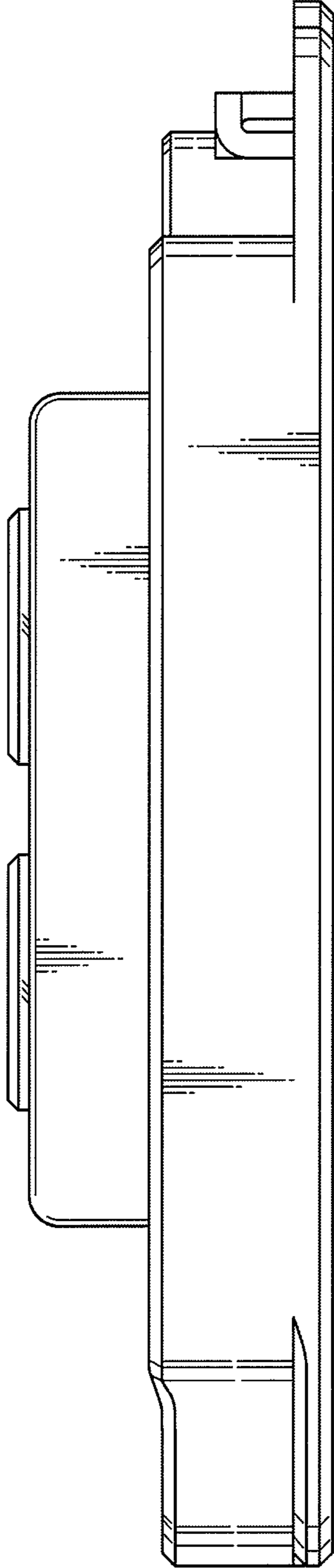


Fig. 7

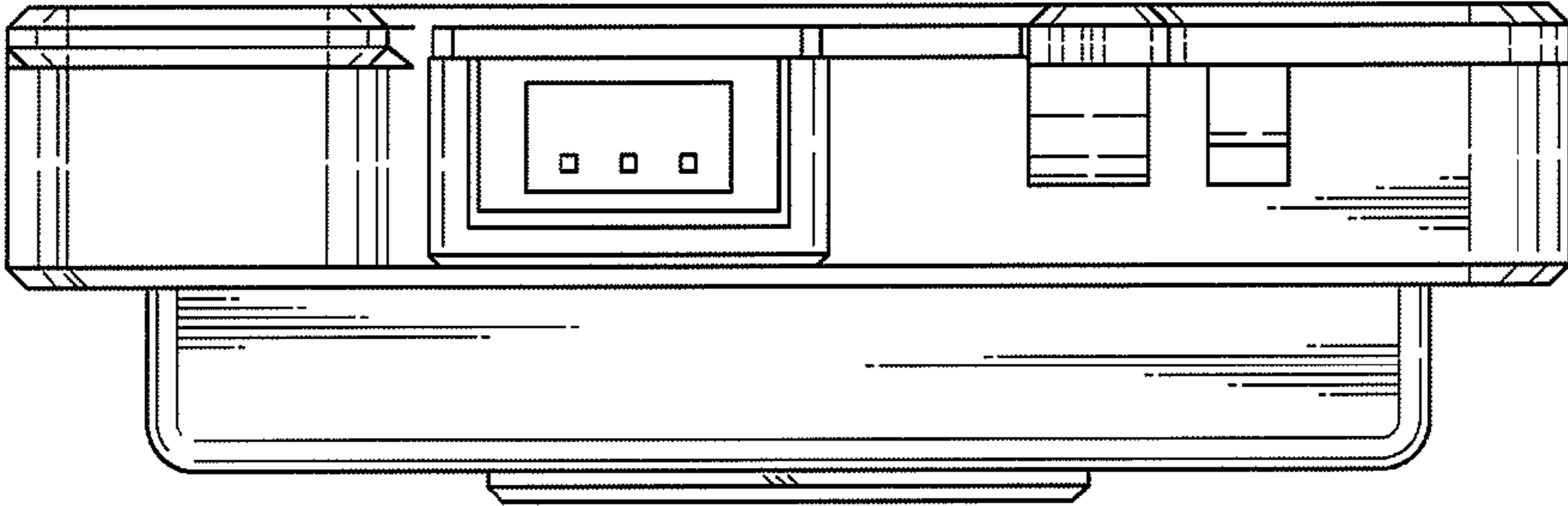


Fig. 6

