



US00D701784S

(12) **United States Design Patent**
Manion et al.

(10) **Patent No.:** **US D701,784 S**

(45) **Date of Patent:** **** Apr. 1, 2014**

(54) **SMART METER PROTECTION DEVICE**

(56) **References Cited**

(71) Applicant: **EMF Safety, LLC**, Rancho Santa Fe, CA (US)

(72) Inventors: **Holly Ellen Manion**, Rancho Santa Fe, CA (US); **Alfredo Rodriguez Pacheco, Jr.**, Encinitas, CA (US); **John O'Melveny Woods**, Kirkland, WA (US); **James Joseph Fraley**, Encinitas, CA (US)

U.S. PATENT DOCUMENTS

3,356,256 A	12/1967	Szego	
3,915,534 A	10/1975	Yonkers	
4,056,302 A	11/1977	Braun et al.	
4,491,792 A	1/1985	Bullock et al.	
5,560,162 A	10/1996	Kemeny	
6,304,231 B1 *	10/2001	Reed et al.	343/873
6,462,713 B2	10/2002	Porter et al.	

(Continued)

OTHER PUBLICATIONS

weepinitiative.org. The Danger of 'Smart Meters'/Propertyvalues/Dangerous/Alarmingreport/Cell Phone Cigarettes, <http://weepnews.blogspot.com/2010/02/danger-of-meters-property-values.html>, Feb. 5, 2010, 15 pages.

(Continued)

(73) Assignee: **EMF Safety, LLC**, Rancho Santa Fe, CA (US)

(**) Term: **14 Years**

Primary Examiner — Antoine D Davis

(21) Appl. No.: **29/444,534**

(74) *Attorney, Agent, or Firm* — Stephen C. Beuerle; Procopio Cory Hargreaves & Savitch LLP

(22) Filed: **Jan. 31, 2013**

Related U.S. Application Data

(63) Continuation-in-part of application No. 29/398,480, filed on Aug. 1, 2011, now abandoned, which is a continuation-in-part of application No. 13/289,754, filed on Nov. 4, 2011, which is a continuation-in-part of application No. 13/195,304, filed on Aug. 1, 2011.

(51) **LOC (10) Cl.** **10-04**

(52) **U.S. Cl.**
USPC **D10/103**

(58) **Field of Classification Search**
USPC D10/99, 100, 103; 52/86, 741.3; 220/9.4, 668; 235/94 R; 257/659, 678; 324/156; 340/870.02; 343/702, 872, 343/856, 873; 361/1, 659, 664, 666, 667, 361/638

See application file for complete search history.

(57) **CLAIM**

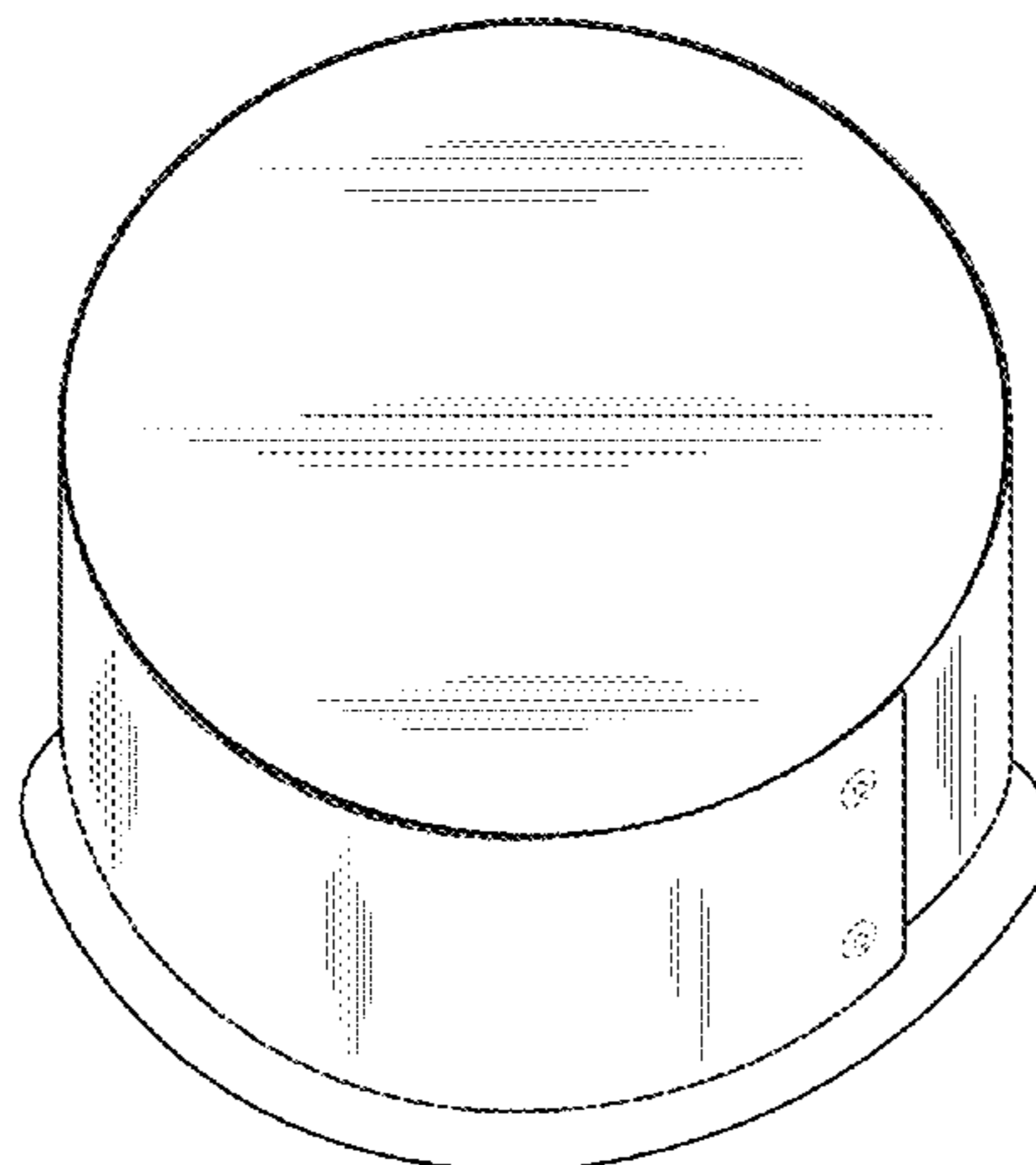
The ornamental design for a smart meter protection device, as shown and described.

DESCRIPTION

FIG. 1 is a perspective view of a smart meter protection device shown;
FIG. 2 is a front elevation view thereof;
FIG. 3 is a rear elevation view thereof;
FIG. 4 is a left side elevation view thereof;
FIG. 5 is a right side elevation view thereof;
FIG. 6 is a bottom plan view thereof;
FIG. 7 is a top plan view thereof; and,
FIG. 8 is another top plan view of the smart meter protection device and shows the smart meter protection device applied over a smart meter.

Any broken lines shown in FIGS. 1-8 are included for the purpose of illustrating environmental elements only and form no part of the claimed design.

1 Claim, 4 Drawing Sheets



(56)

References Cited

U.S. PATENT DOCUMENTS

D488,083 S * 4/2004 Hopfe et al. D10/103
D527,295 S 8/2006 Houpe
7,135,850 B2 * 11/2006 Ramirez 324/142
D537,745 S 3/2007 Wells
7,550,826 B2 6/2009 Orth et al.
7,638,998 B2 * 12/2009 Sanderford et al. 324/110
7,800,890 B1 * 9/2010 Therrien et al. 361/659
7,868,782 B2 * 1/2011 Ehrke et al. 340/870.12
D695,207 S * 12/2013 Dams D12/415
2008/0068216 A1 3/2008 Borisov et al.
2008/0129536 A1 6/2008 Randall et al.

2009/0031643 A1 2/2009 Allen
2010/0164750 A1 7/2010 Mashhad et al.
2010/0201516 A1 8/2010 Gelvin et al.
2010/0253538 A1* 10/2010 Smith 340/870.02

OTHER PUBLICATIONS

Smart Meter Shield Trademark, filed Jul. 23, 2010, 3 pages.
Mercury News. Readers: SmartMeters interfere with baby monitors, other household gadgets, <http://forums.mercurynews.com/topic/readers-smartmeters-interfere-with-baby-monitors-other-household-gadgets>, Sep. 7, 2010, 6 pages.

* cited by examiner

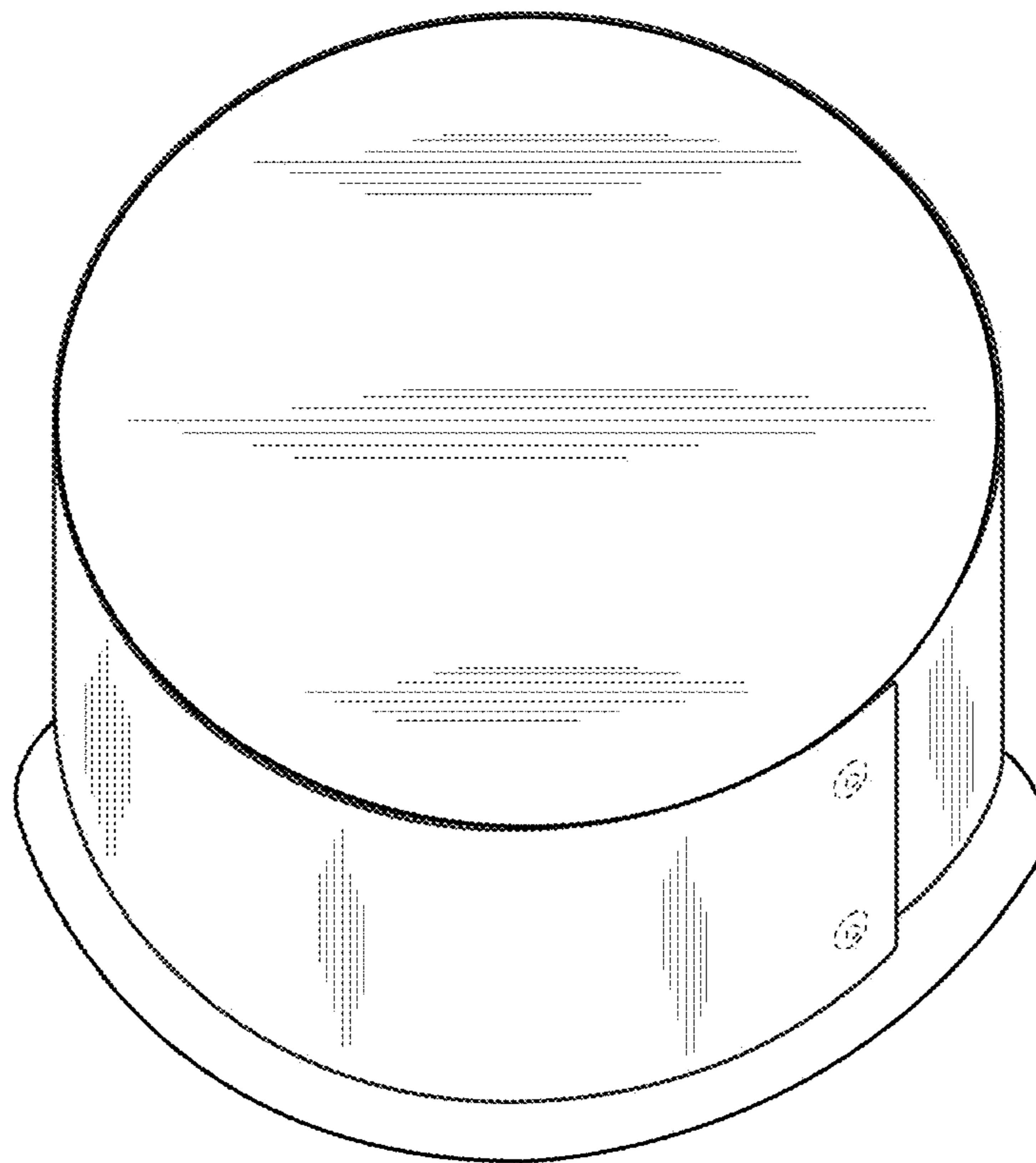


FIG. 1

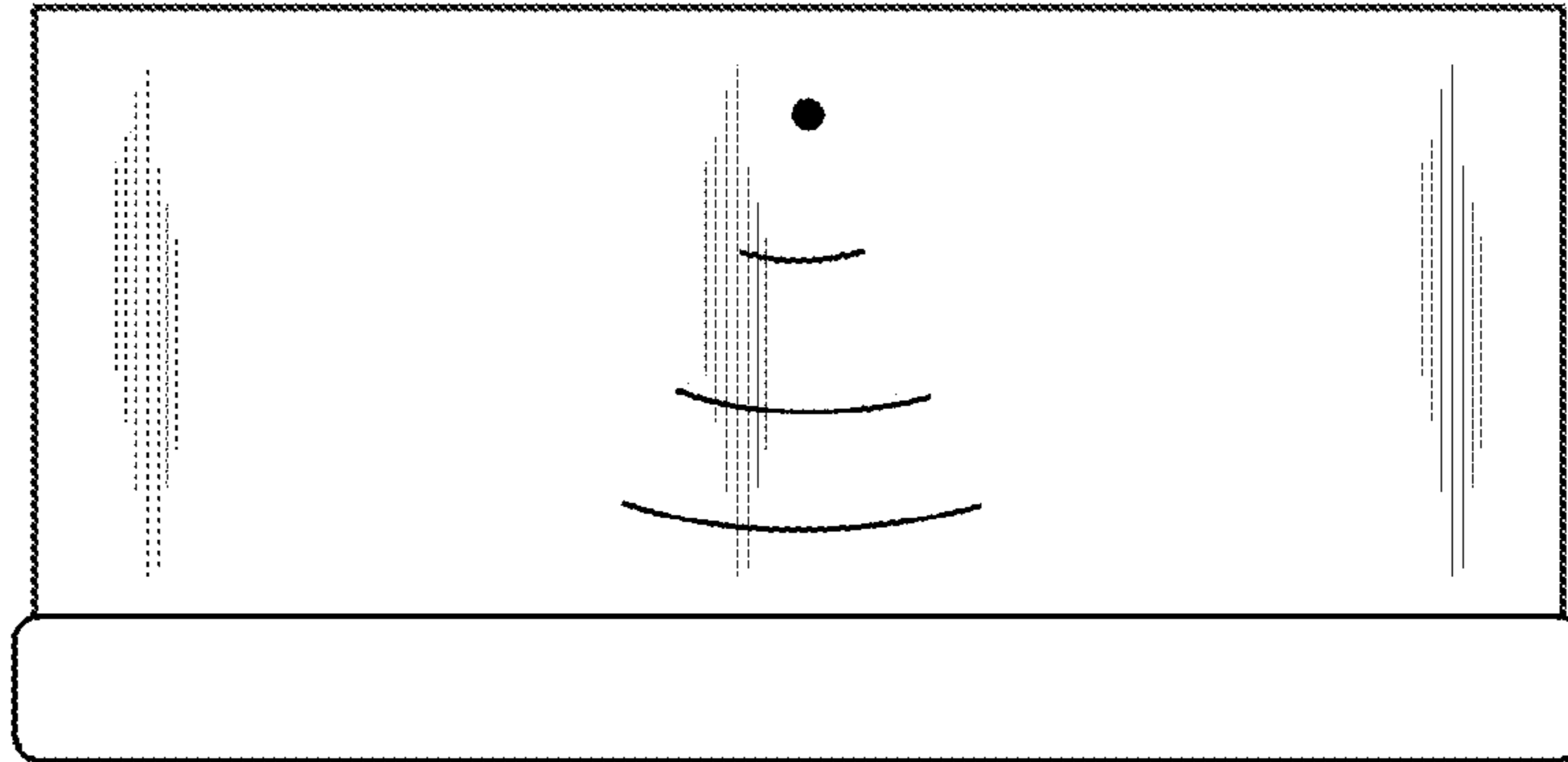


FIG. 2

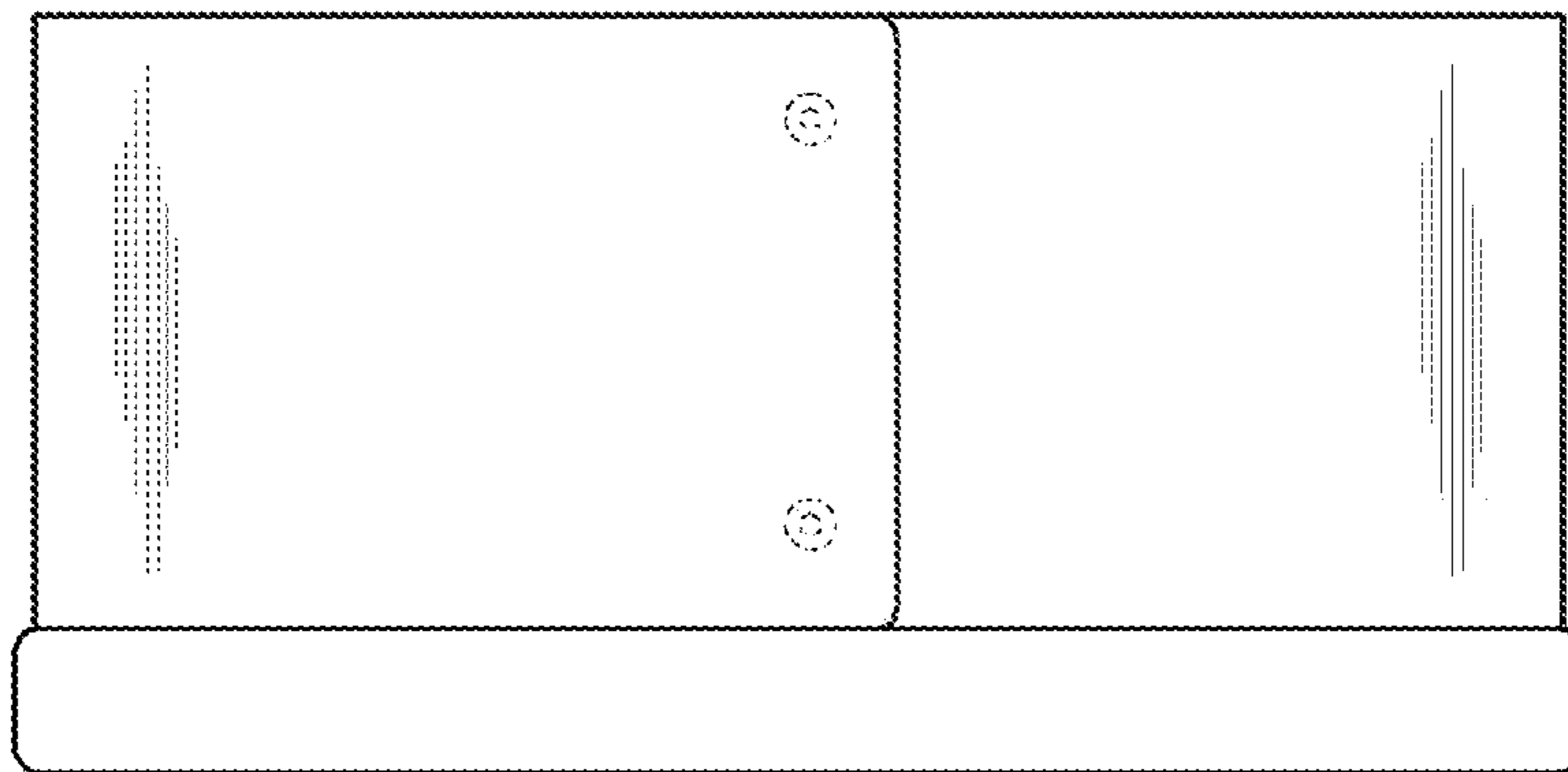


FIG. 3

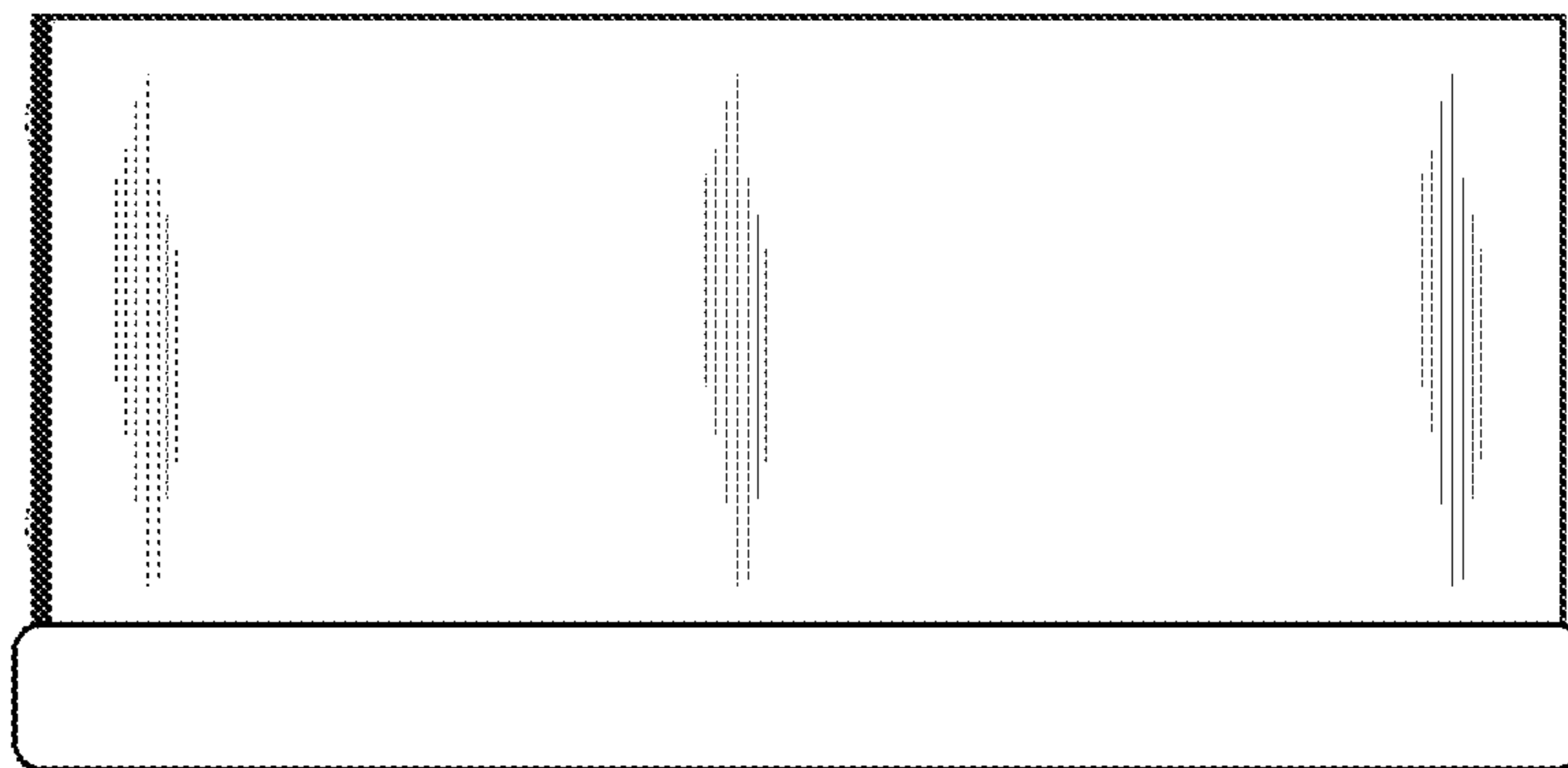


FIG. 4

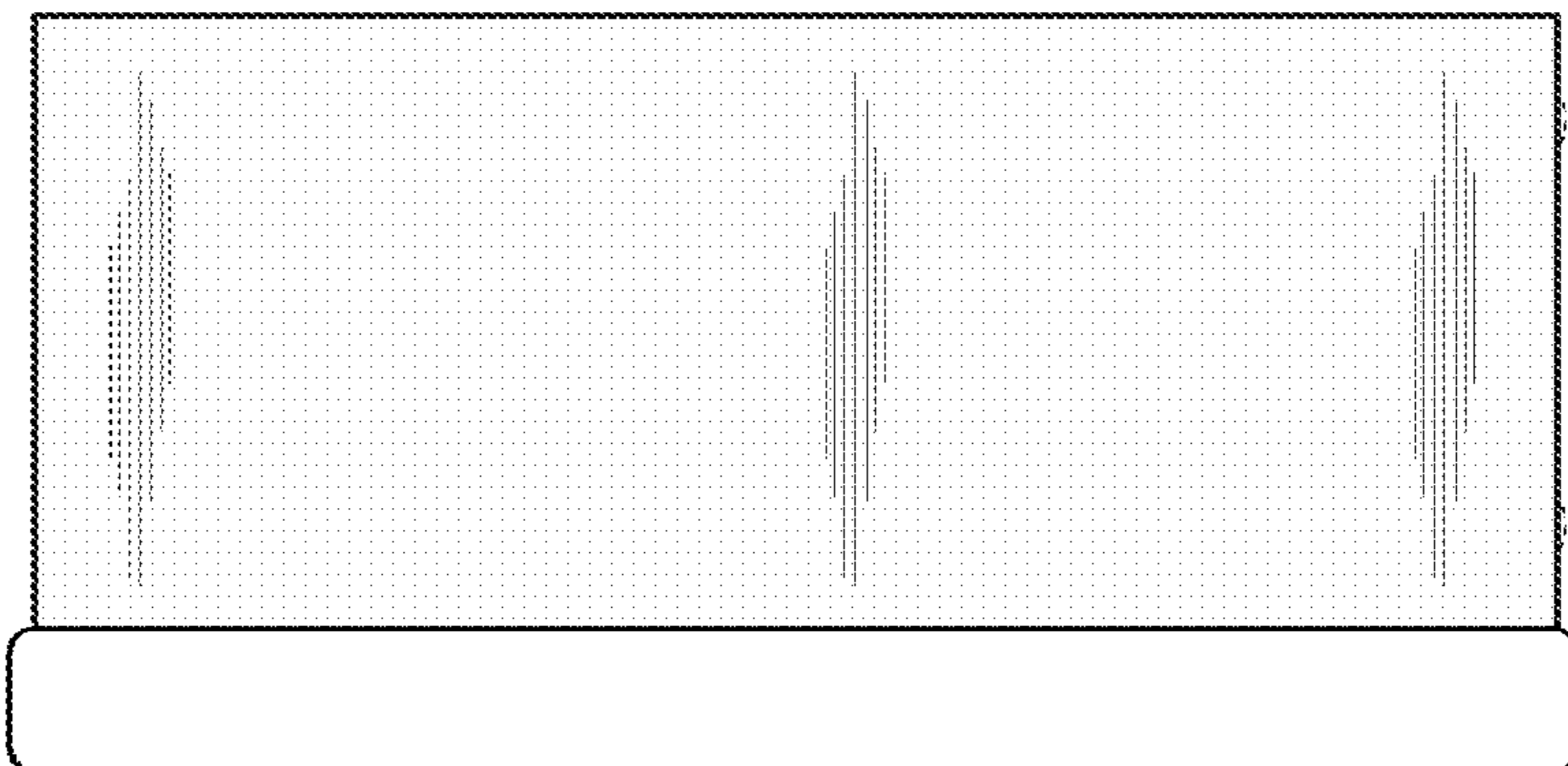


FIG. 5

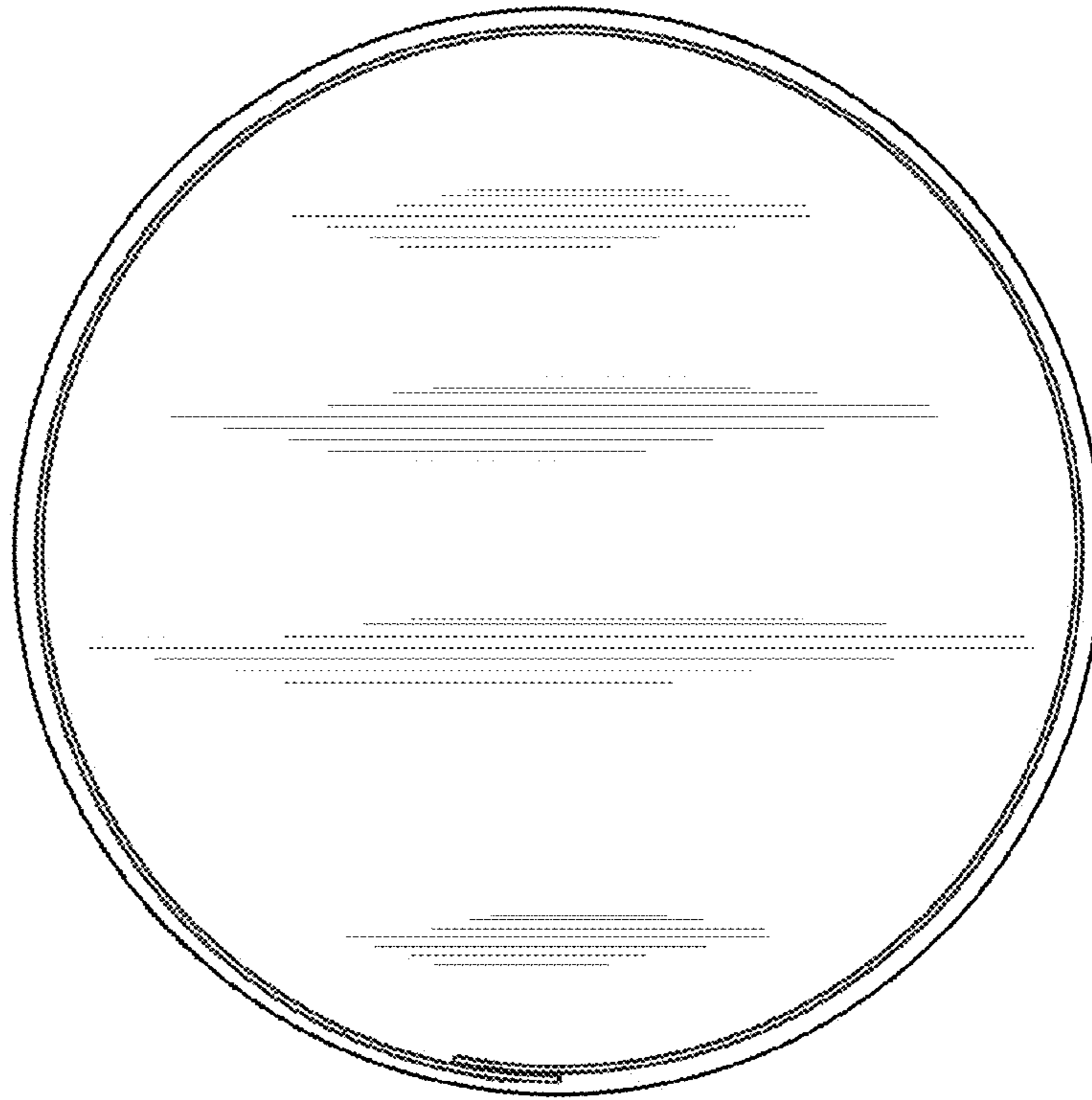


FIG. 6

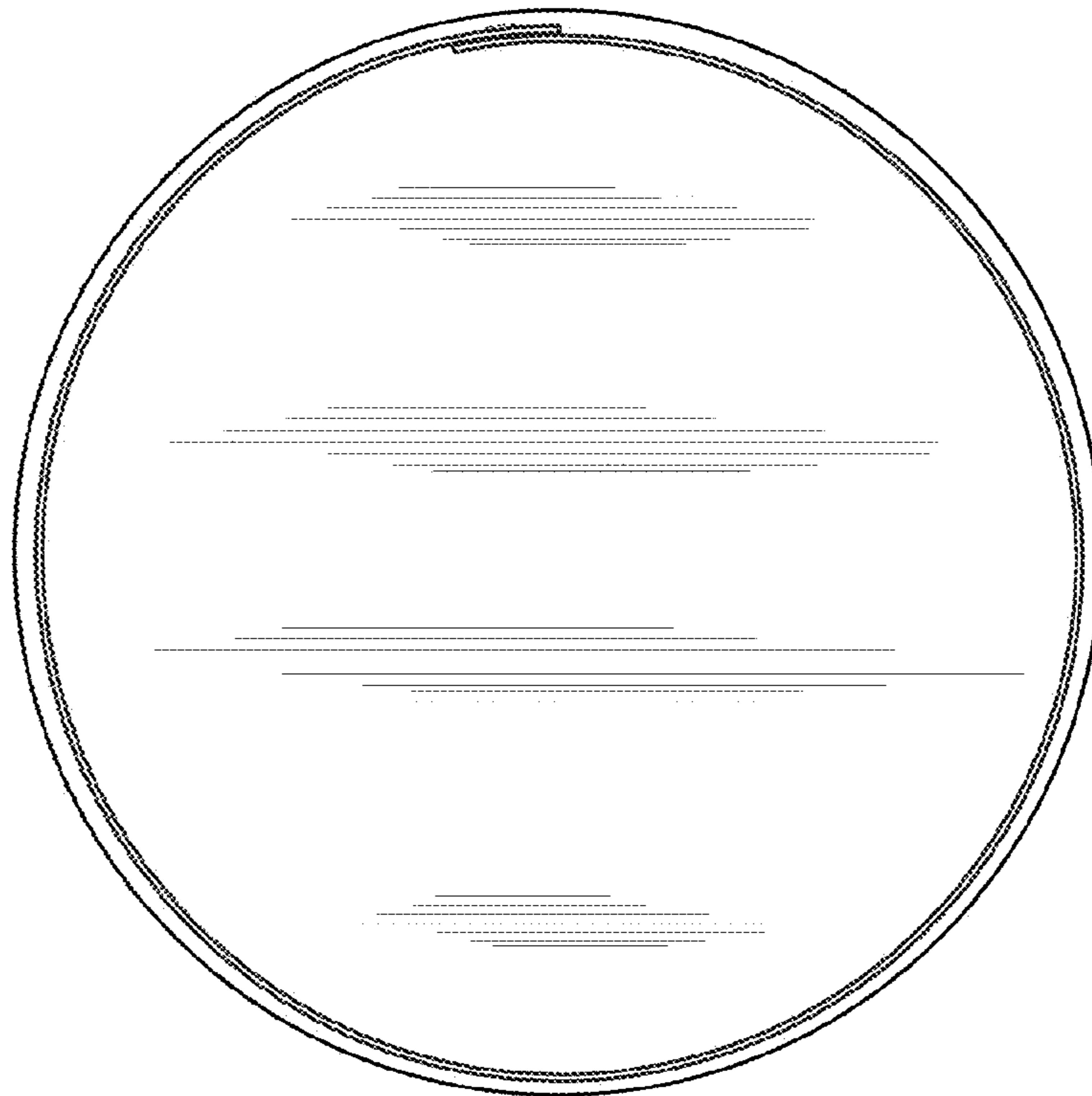


FIG. 7

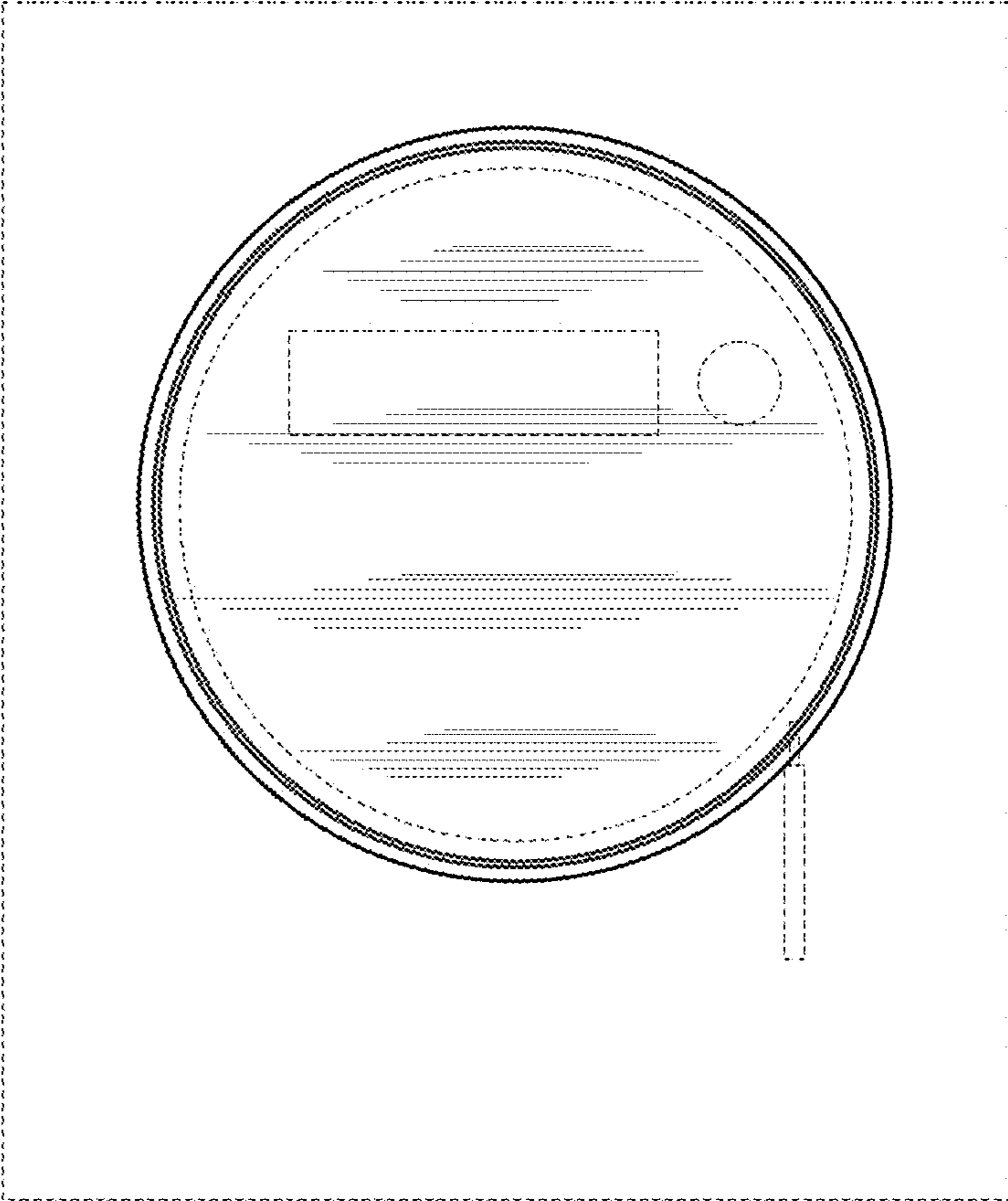


FIG. 8