



US00D701783S

(12) **United States Design Patent**  
**Foreman**

(10) **Patent No.:** **US D701,783 S**  
(45) **Date of Patent:** **\*\* Apr. 1, 2014**

(54) **LEAK DETECTOR**

*Primary Examiner* — Antoine D Davis

(71) Applicant: **Darrell K Foreman**, Perrysville, IN  
(US)

(57) **CLAIM**  
The ornamental design of a leak detector, as shown and described.

(72) Inventor: **Darrell K Foreman**, Perrysville, IN  
(US)

**DESCRIPTION**

(\*\*) Term: **14 Years**

FIG. 1 is a perspective view of a leak detector;  
FIG. 2 is a front elevational thereof;  
FIG. 3 is a rear elevational view thereof;  
FIG. 4 is a left-side elevational view thereof;  
FIG. 5 is a right-side elevational view thereof;  
FIG. 6 is a bottom plan view thereof;  
FIG. 7 is a top plan view thereof;  
FIG. 8 is a front elevation view thereof, showing the plane upon which a cross sectional view is taken shown in FIG. 9;  
FIG. 9 is a cross section view thereof taken along line A-A of FIG. 8;  
FIG. 10 is an exploded view thereof; and,  
FIG. 11 is a perspective view thereof wherein the leak detector is positioned underneath a sink.

(21) Appl. No.: **29/439,647**

(22) Filed: **Dec. 13, 2012**

(51) **LOC (10) Cl.** ..... **10-04**

(52) **U.S. Cl.**  
USPC ..... **D10/101**

(58) **Field of Classification Search**  
USPC ..... D10/101; 73/40–40.5 A, 41–41.4,  
73/49.2–49.3; 137/312–314, 551,  
137/557–559; 206/305  
See application file for complete search history.

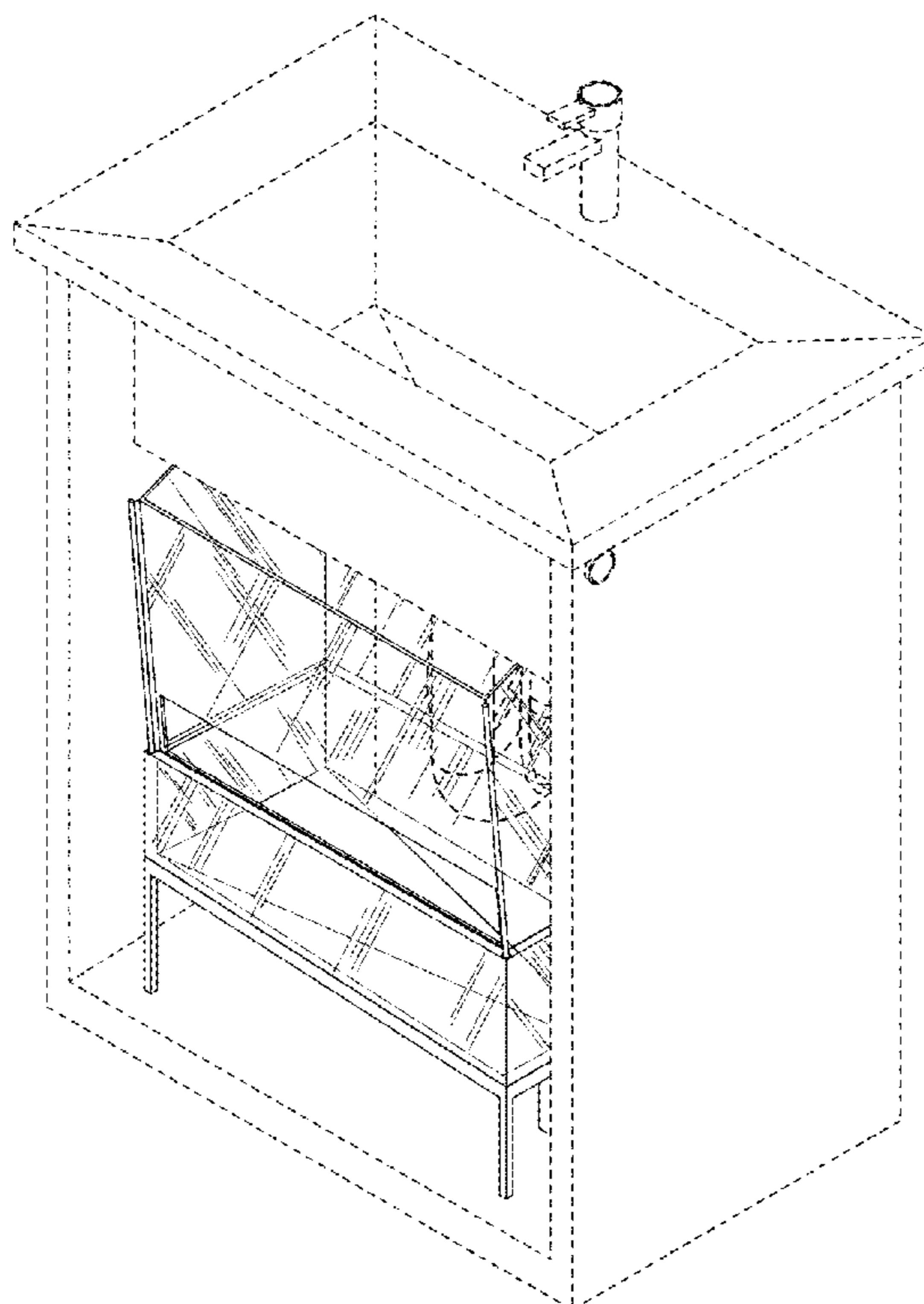
(56) **References Cited**

U.S. PATENT DOCUMENTS

D225,126 S *	11/1972	Coleman et al. ....	D10/101
3,854,885 A *	12/1974	Fromm et al. ....	137/559
4,019,370 A *	4/1977	Allocco, Jr. ....	73/49.2

\* cited by examiner

**1 Claim, 10 Drawing Sheets**



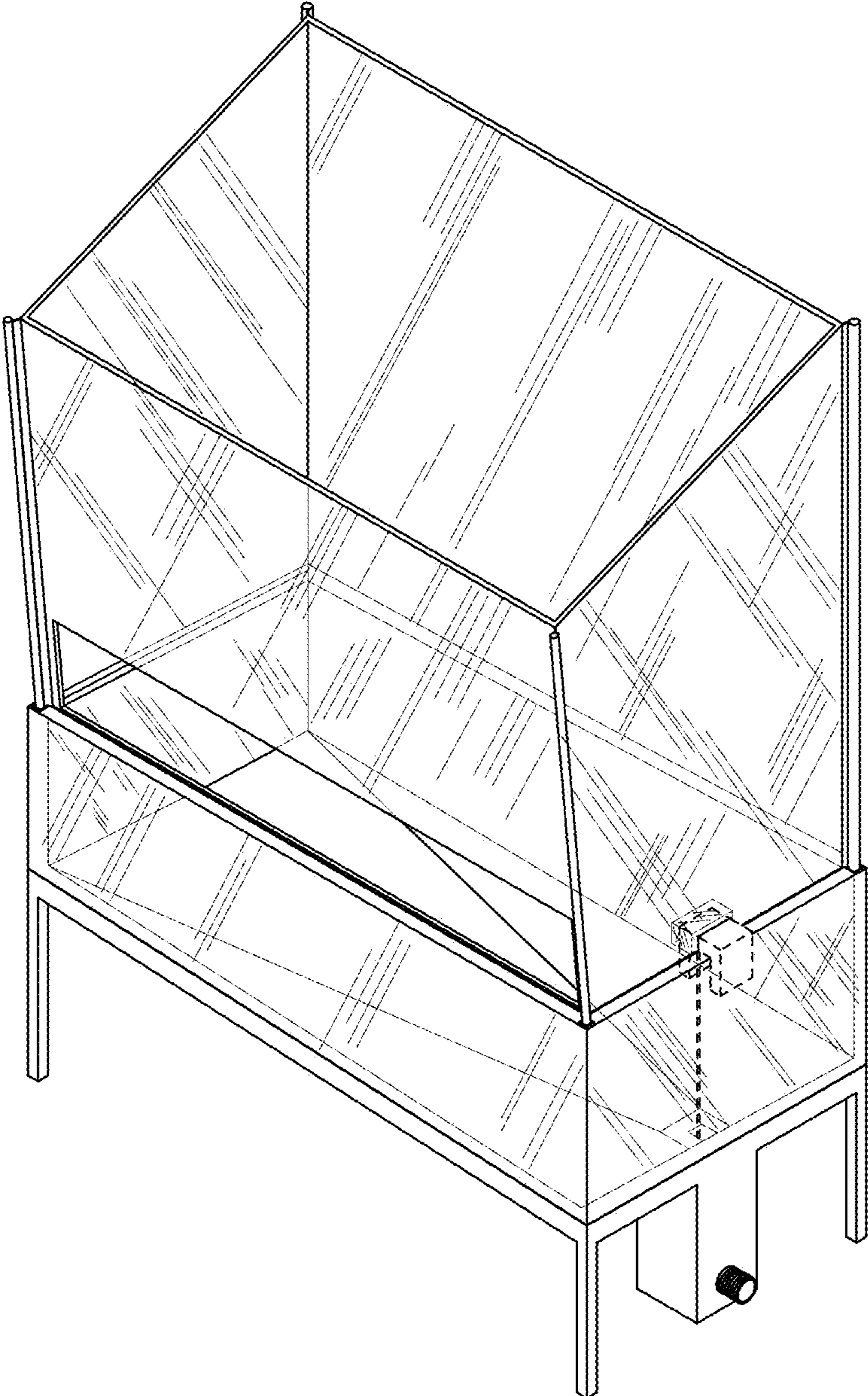


FIG. 1

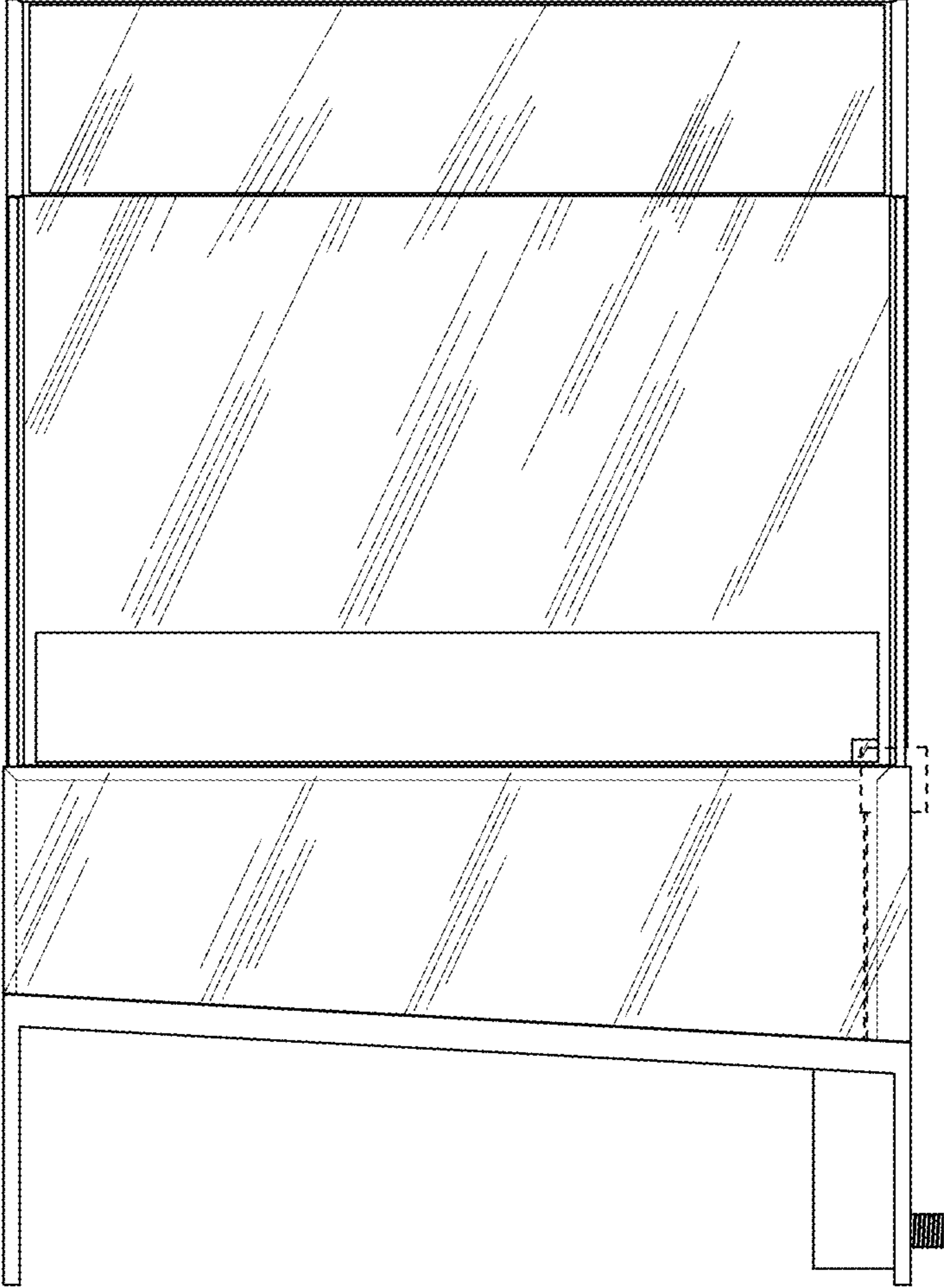


FIG. 2

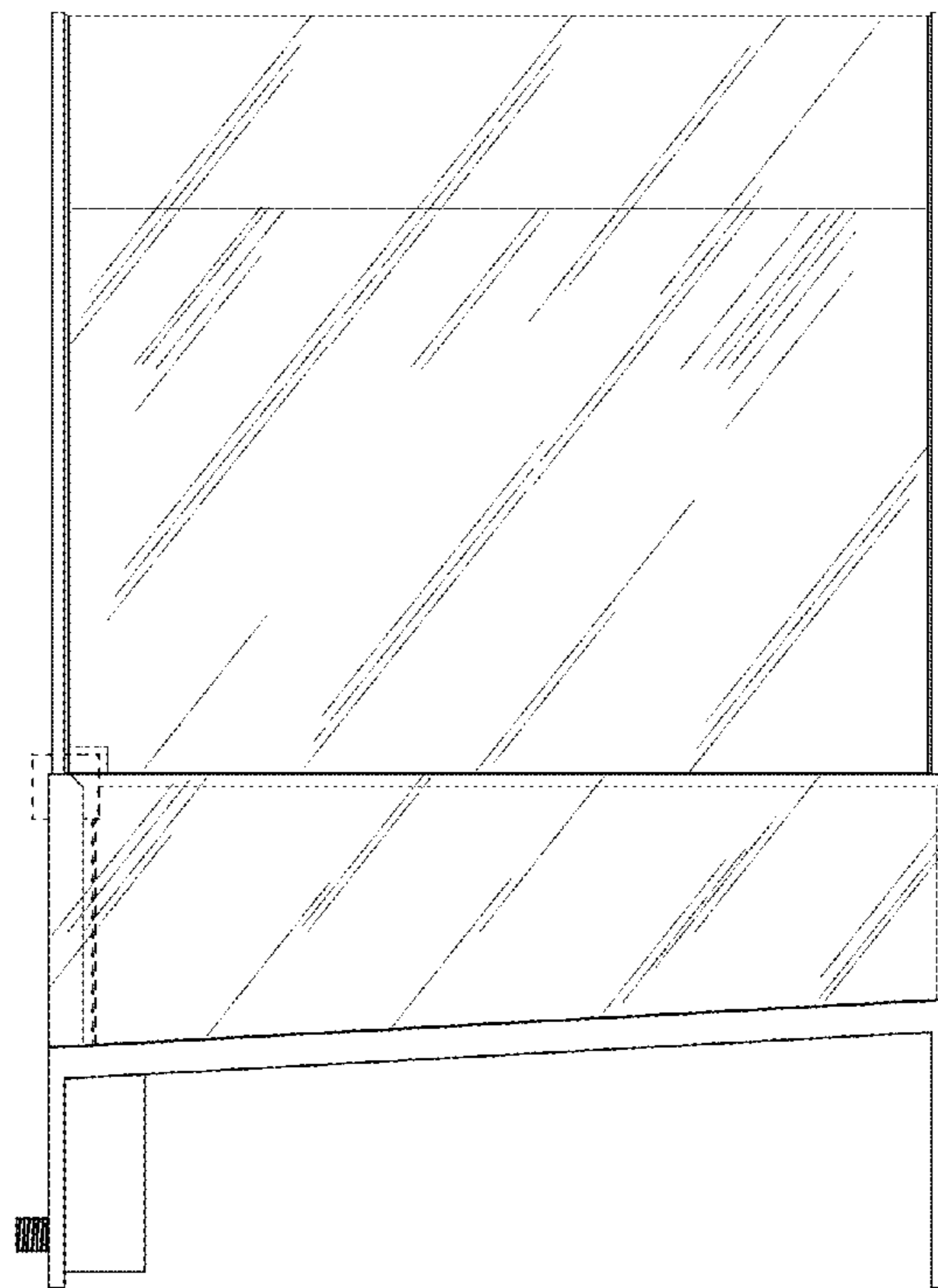


FIG. 3

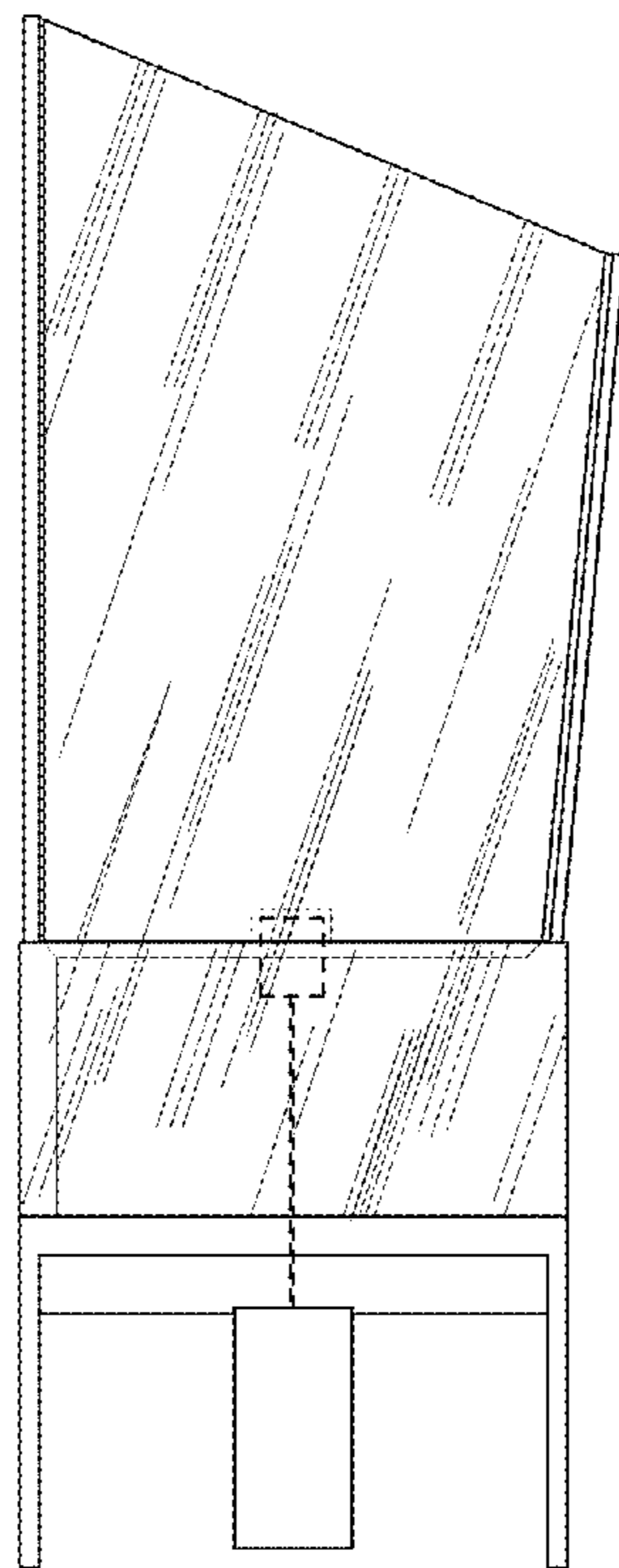


FIG. 4

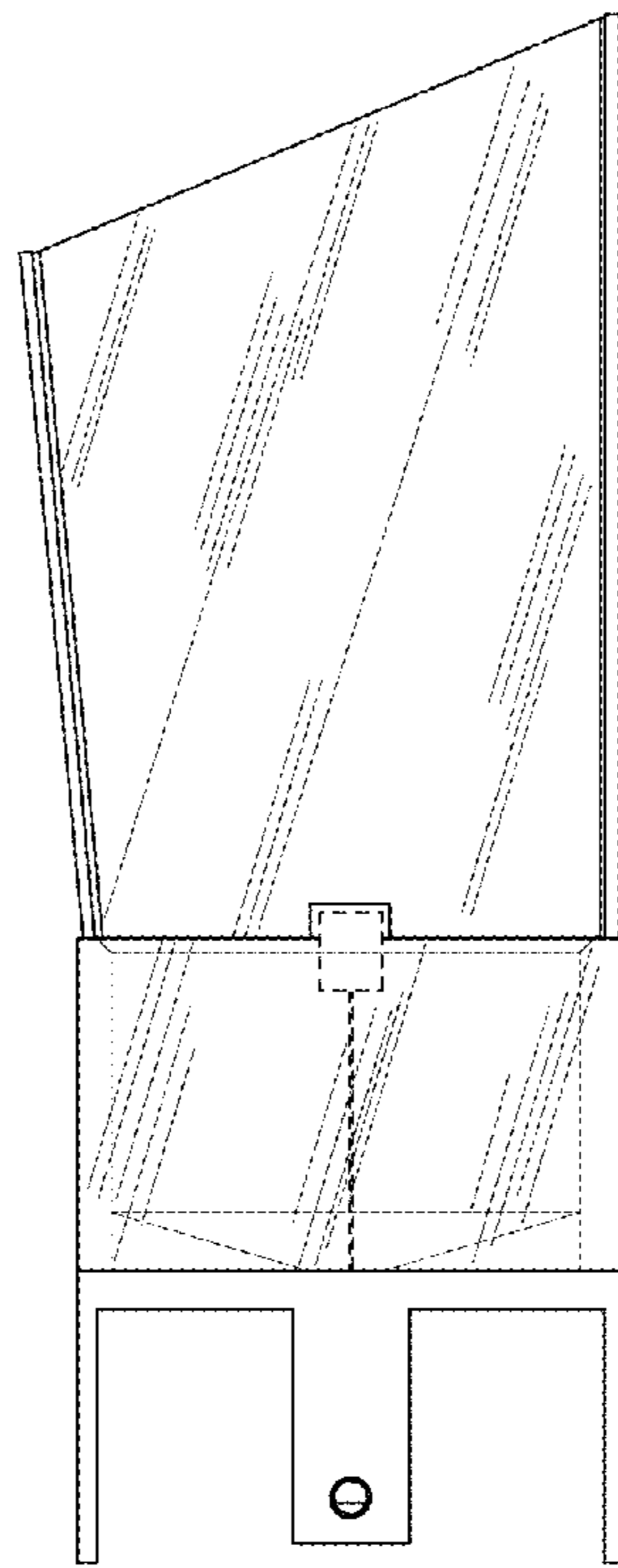


FIG. 5

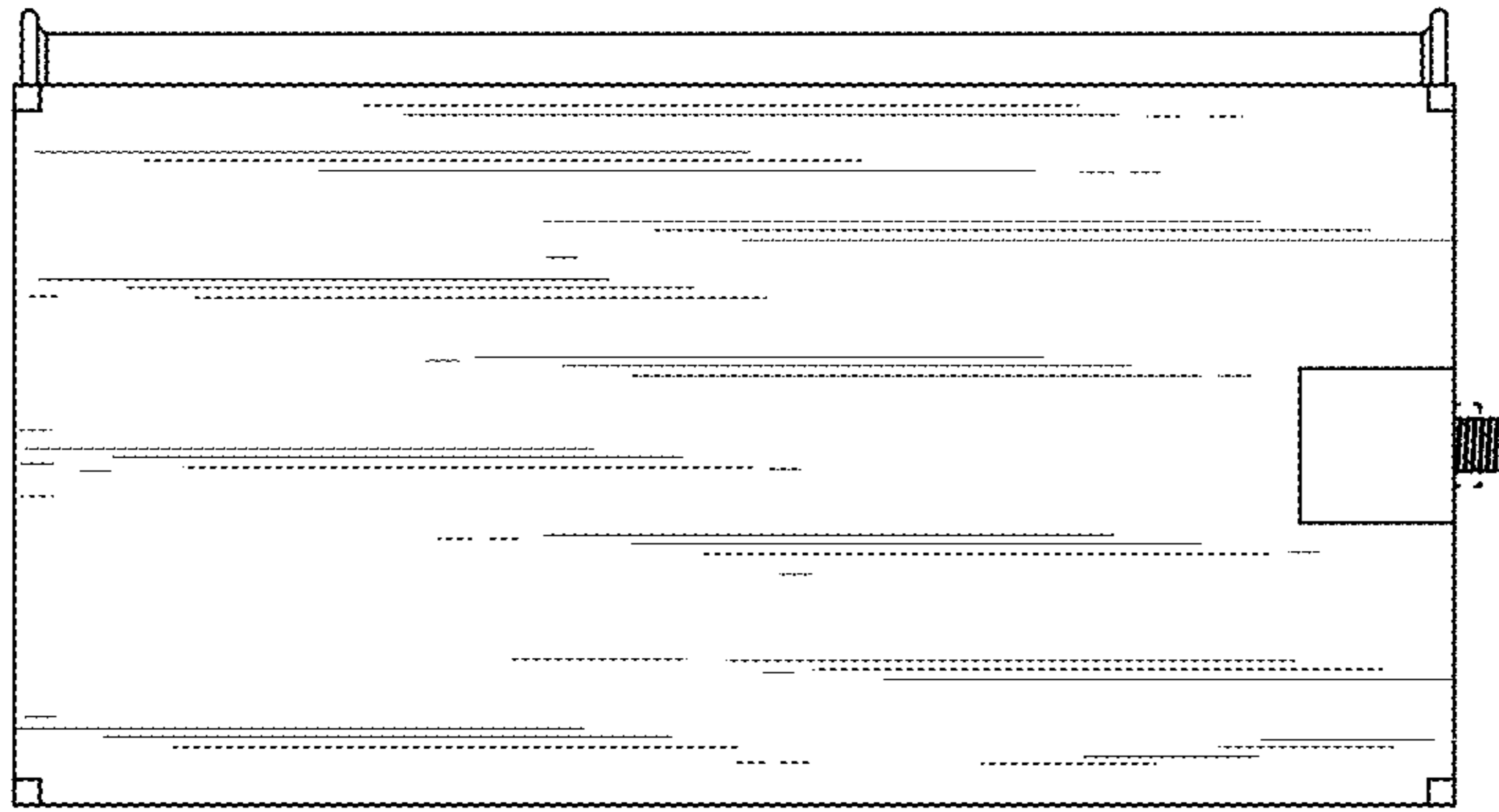


FIG. 6

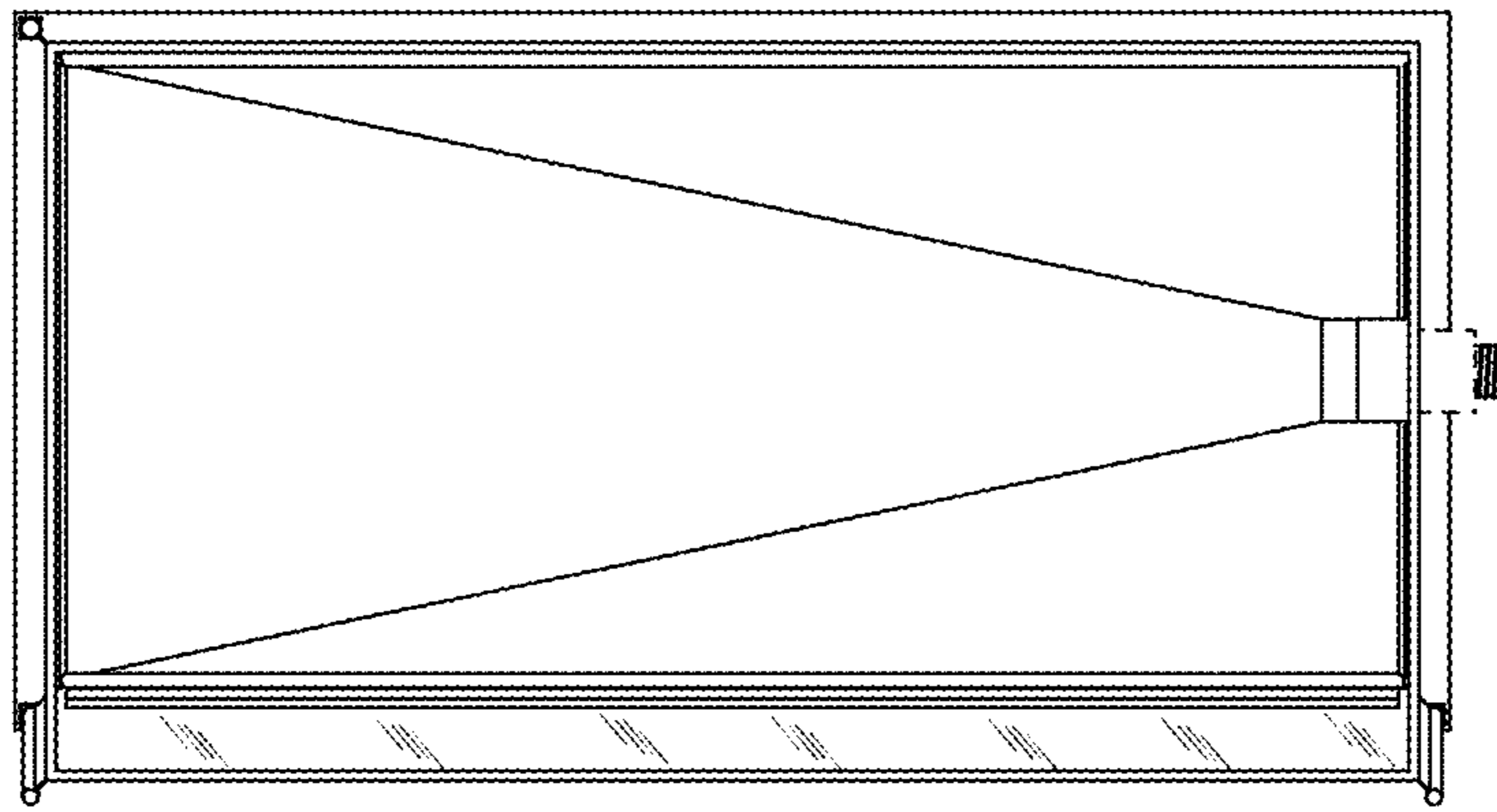


FIG. 7



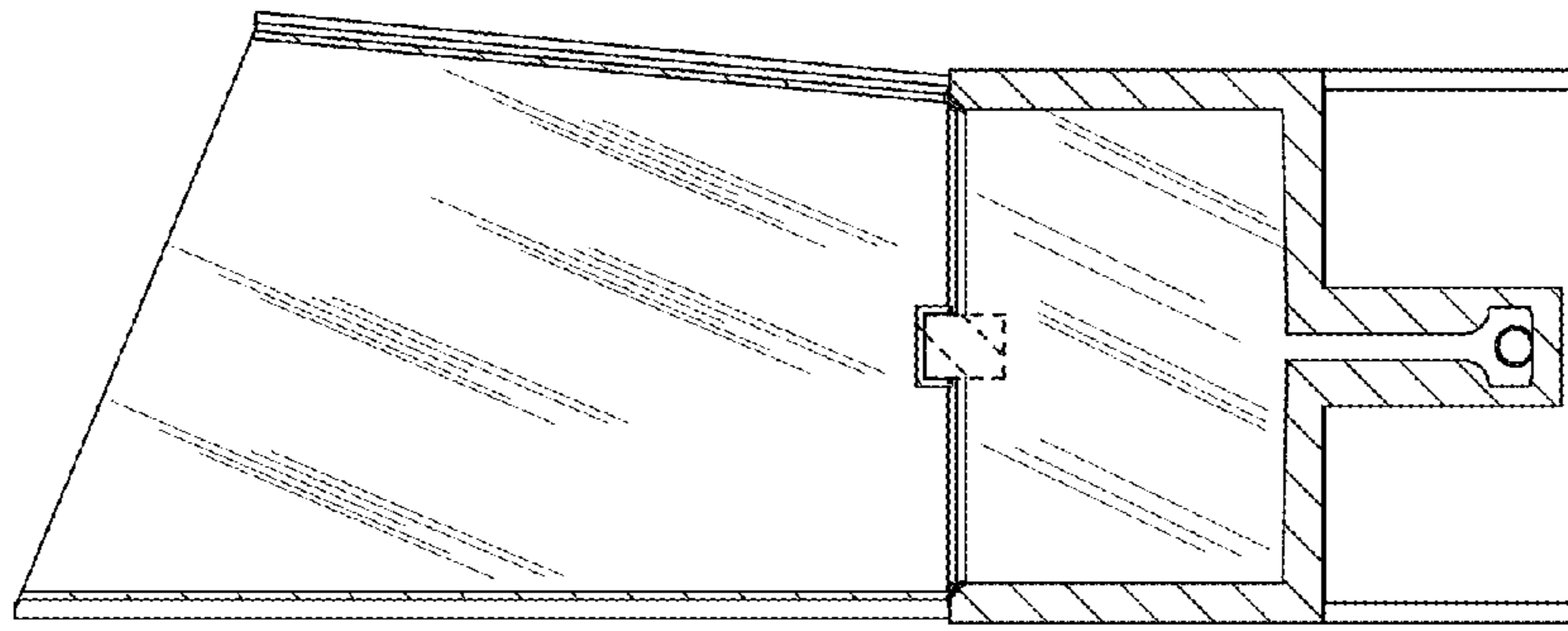


FIG. 9

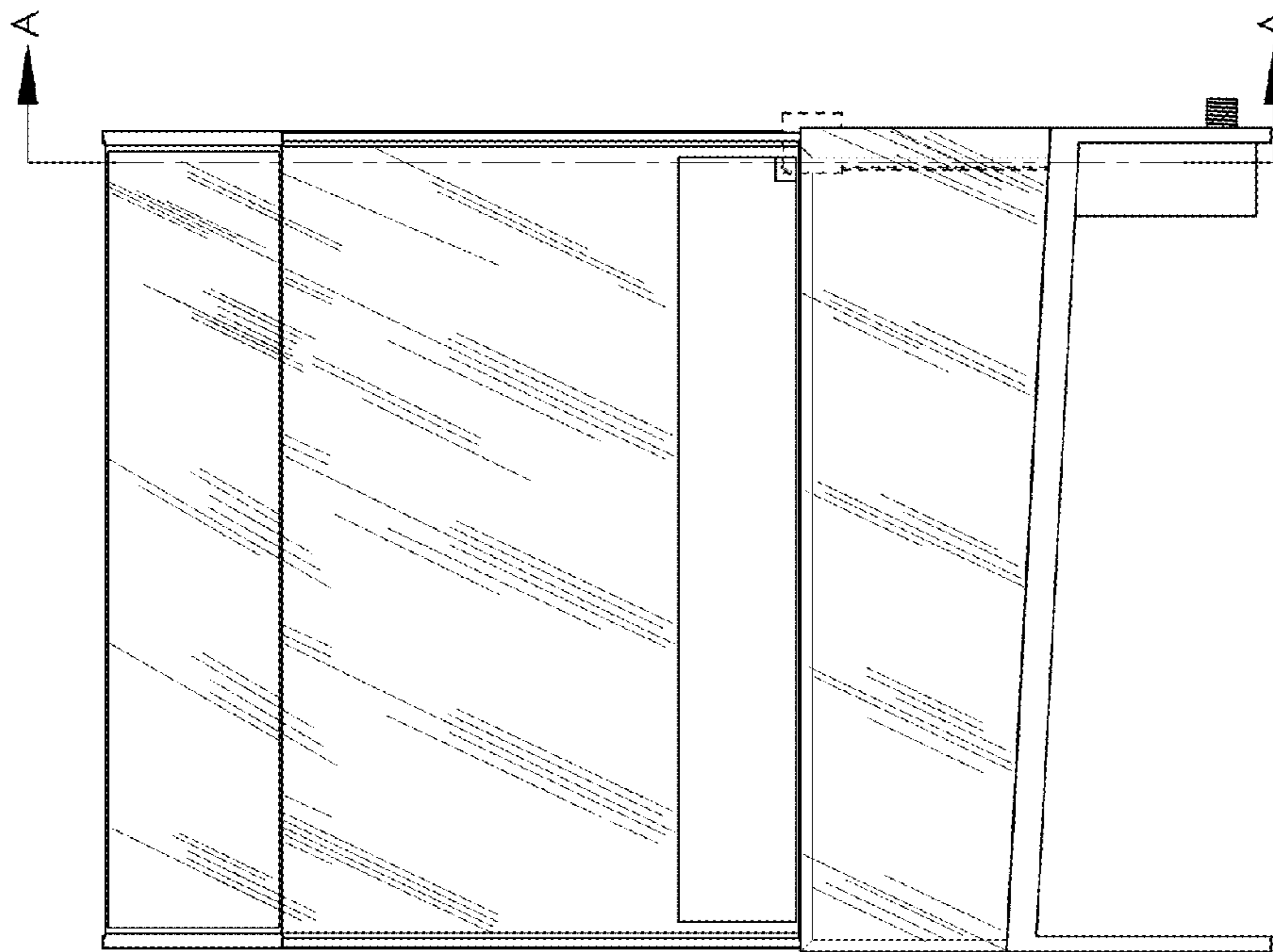


FIG. 8

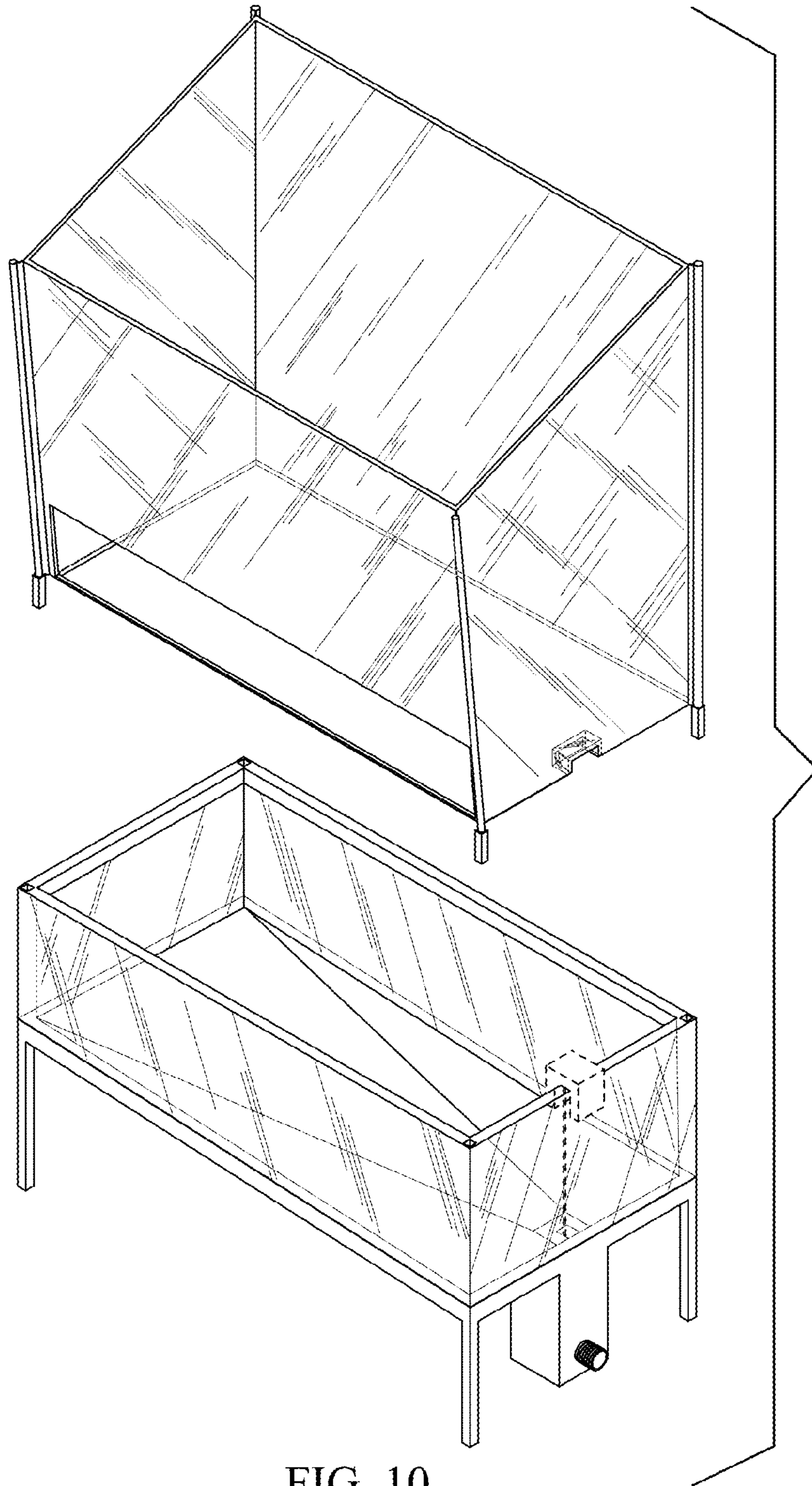


FIG. 10

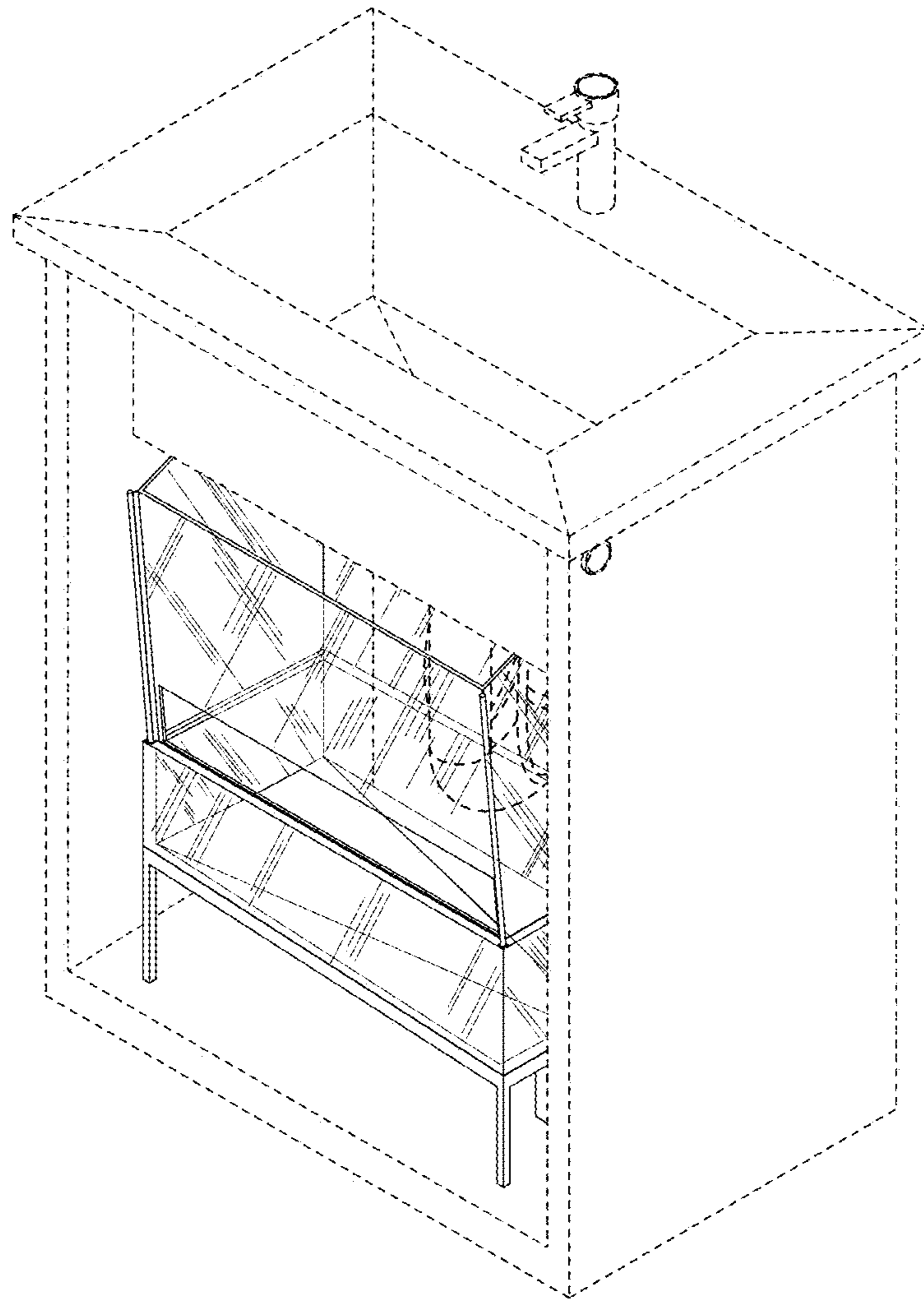


FIG. 11