



US00D701782S

(12) **United States Design Patent**
Lekgoathi et al.

(10) **Patent No.:** **US D701,782 S**
(45) **Date of Patent:** **** Apr. 1, 2014**

(54) **SAMPLE CELL**

(75) Inventors: **Mpho Diphago Stanley Lekgoathi**,
Mamelodi West (ZA); **Johannes Petrus**
Le Roux, Moreletapark (ZA); **Willem**
Gabriel Augustyn, Wonderboom (ZA)

(73) Assignee: **The South African Nuclear Energy**
Corporation Limited, North West
Province (ZA)

(**) Term: **14 Years**

(21) Appl. No.: **29/393,398**

(22) Filed: **Jun. 3, 2011**

(30) **Foreign Application Priority Data**

Dec. 10, 2010 (ZA) F2010/01687

(51) **LOC (10) Cl.** **10-04**

(52) **U.S. Cl.**
USPC **D10/81**

(58) **Field of Classification Search**
USPC D13/184, 101, 118, 123, 133, 199;
D10/75, 80, 81; D24/226, 160, 172,
D24/224, 225, 227; 324/316, 317, 322, 376;
D16/130, 131, 134, 136; 600/398-400,
600/407

See application file for complete search history.

(56) **References Cited**

U.S. PATENT DOCUMENTS

D322,856 S	*	12/1991	Heath et al.	D24/226
D479,709 S	*	9/2003	Cocks et al.	D13/184
D501,802 S	*	2/2005	Sandor	D10/81
D567,775 S	*	4/2008	Simon	D13/184
D579,037 S	*	10/2008	Kerrod et al.	D16/131
D614,774 S	*	4/2010	Gausmann et al.	D24/172
D628,709 S	*	12/2010	Burdett et al.	D24/216
D632,717 S	*	2/2011	Maerzhaeuser et al.	D16/131
D660,335 S	*	5/2012	Nagakubo et al.	D16/131

* cited by examiner

Primary Examiner — Derrick Holland

(74) *Attorney, Agent, or Firm* — Raymond R. Ferrera;
Adams and Reese LLP

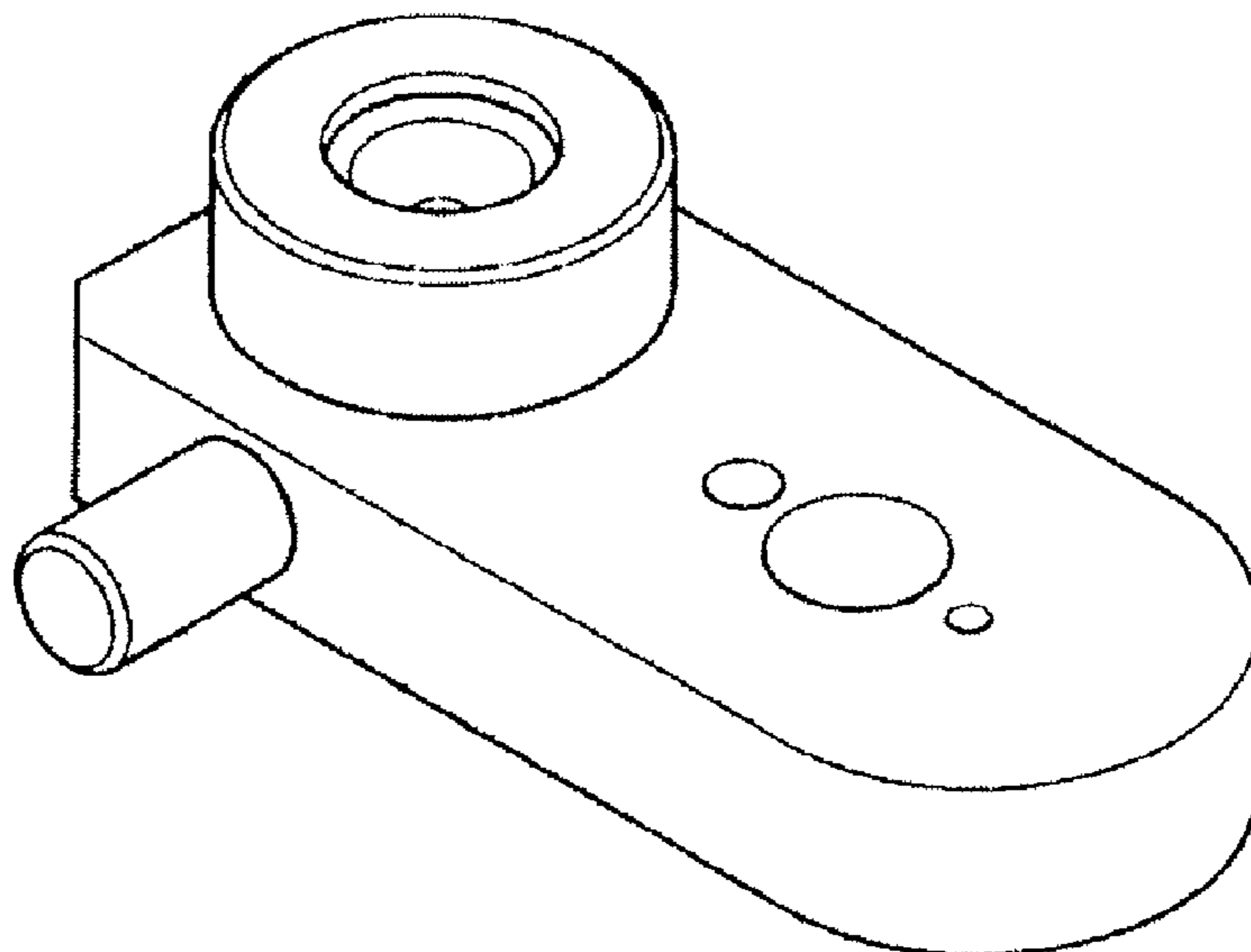
(57) **CLAIM**

The ornamental design for a sample cell, as shown and described.

DESCRIPTION

FIG. 1 is a top perspective view of the sample cell.
FIG. 2 is a bottom perspective view of the sample cell.
FIG. 3 is a side view of the sample cell shown in FIG. 1.
FIG. 4 is an end view of the sample cell shown in FIG. 1.
FIG. 5 is an exploded perspective view of the sample cell shown in FIG. 1.
FIG. 6 is a perspective view of the sample cell shown in FIG. 1 with the exploded elements removed for ease of illustration.
FIG. 7 is a top plan view of the sample cell shown in FIG. 6.
FIG. 8 is a cross-sectional view of the sample cell taken along line 8-8 of FIG. 7; and,
FIG. 9 is a cross-sectional view of the sample cell taken along line 9-9 of FIG. 7.

1 Claim, 3 Drawing Sheets



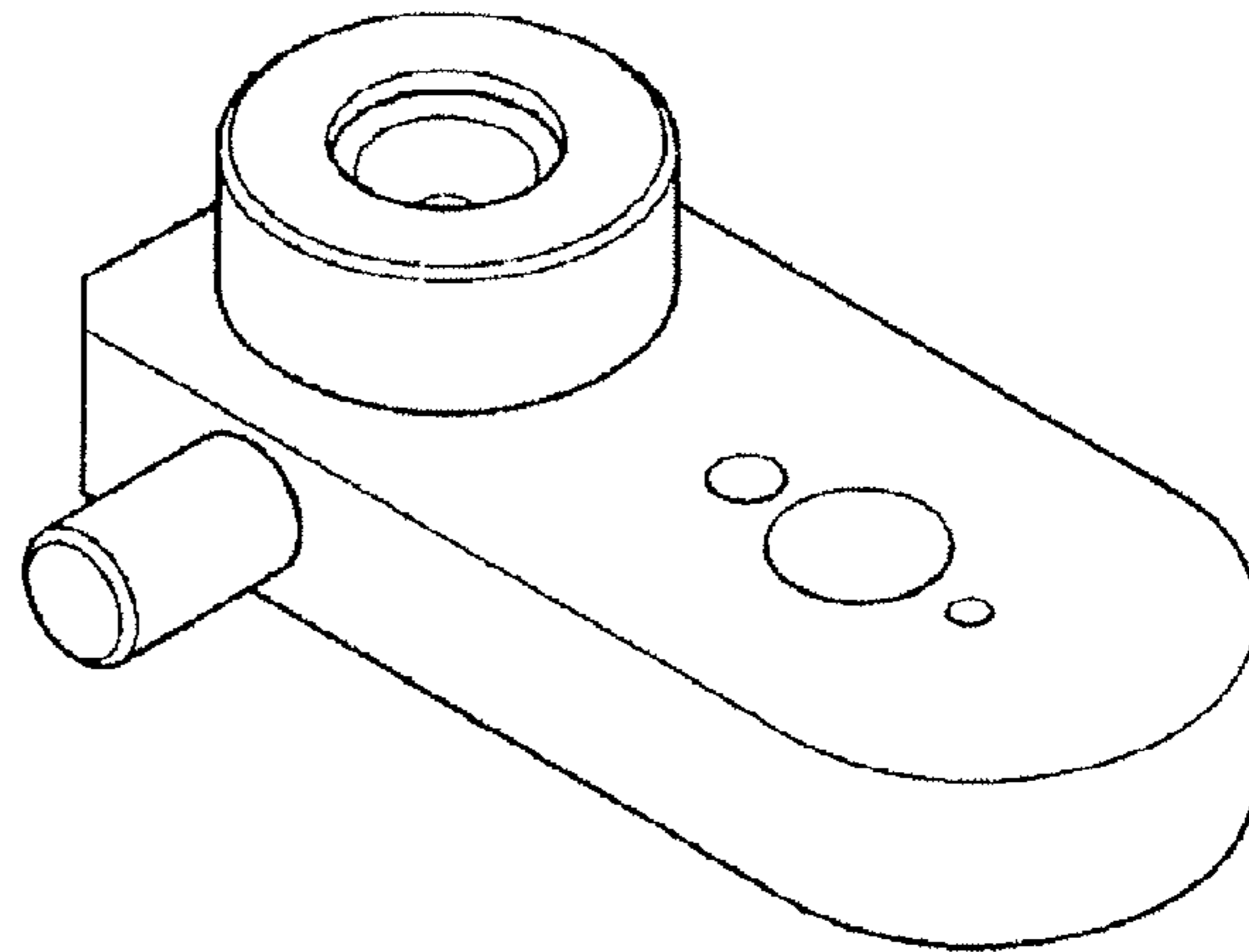


FIG. 1

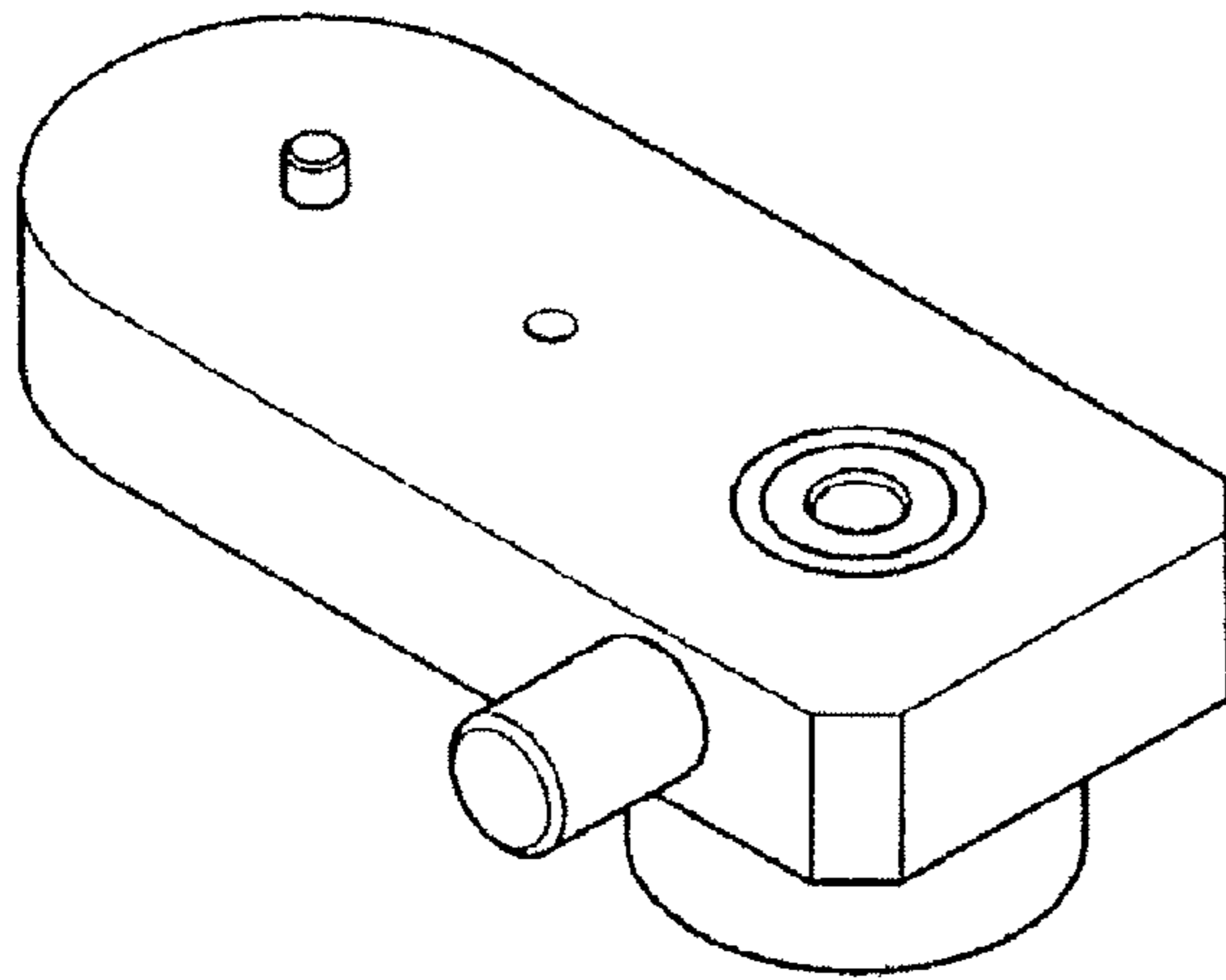


FIG. 2

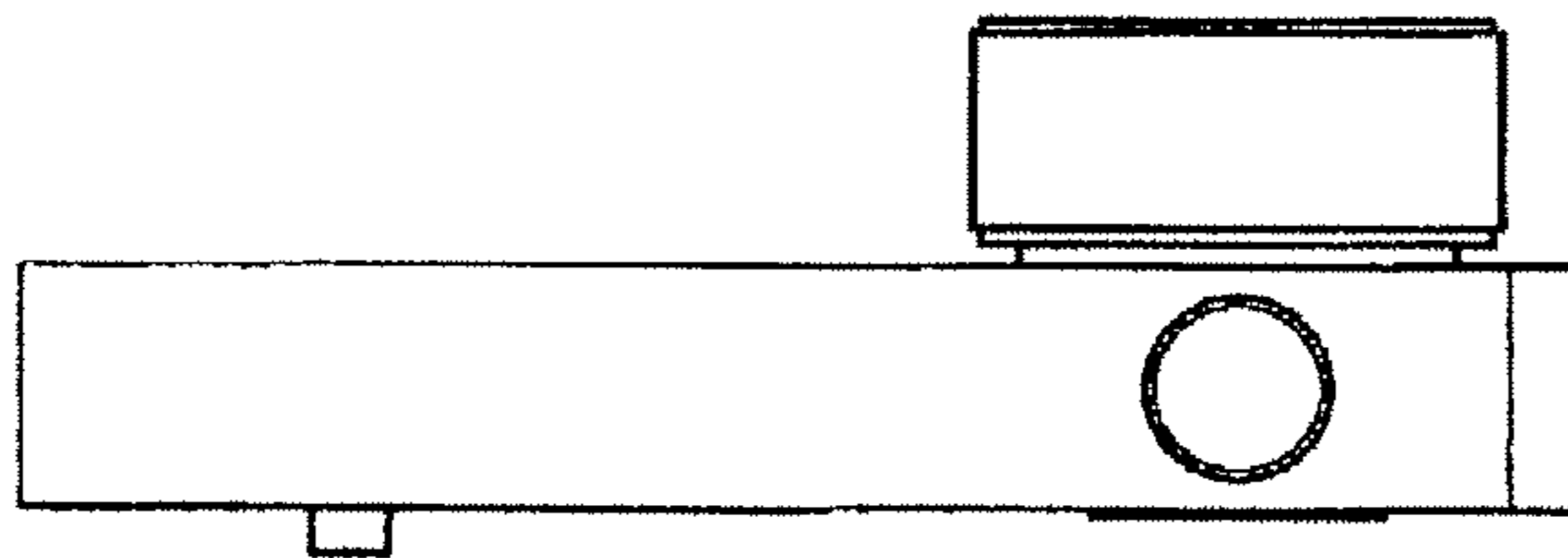


FIG. 3

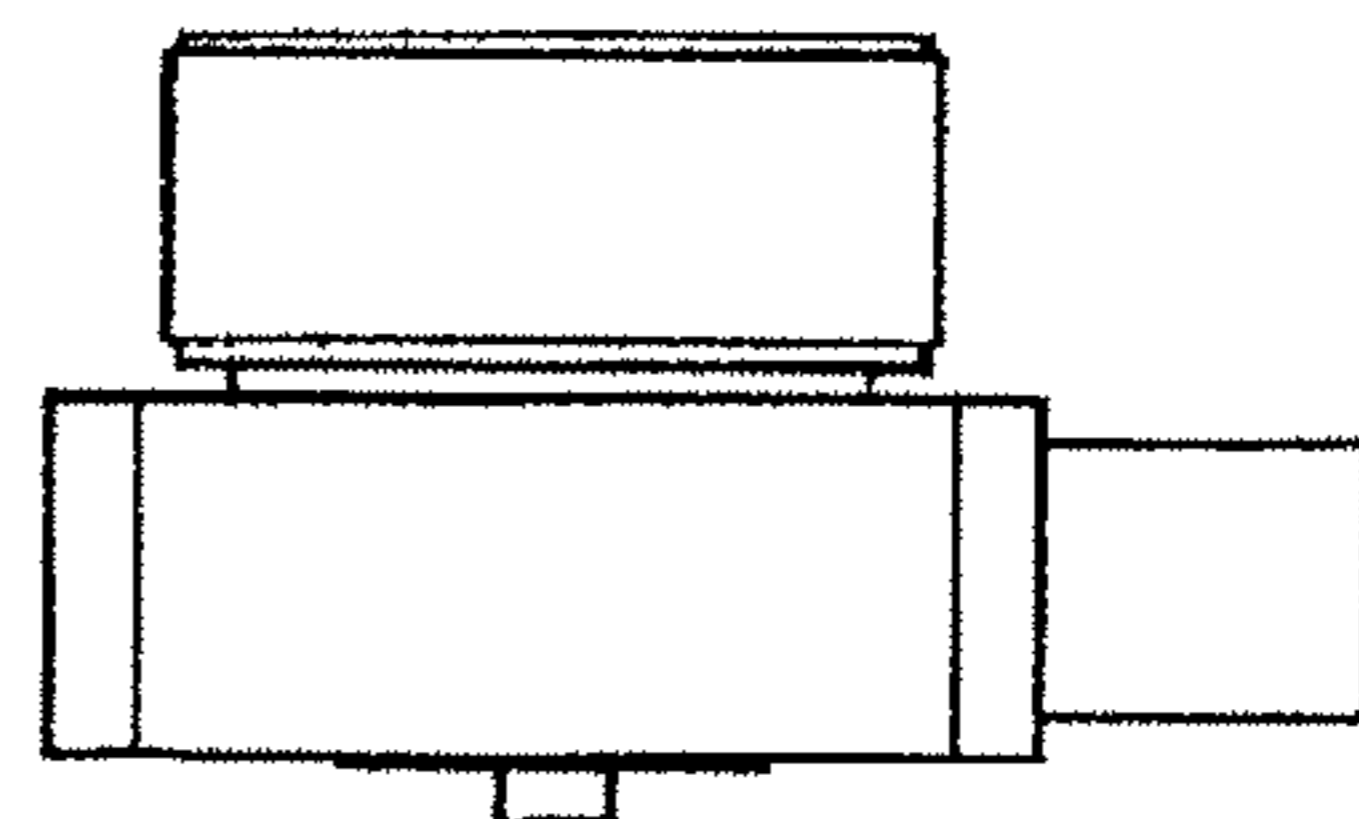


FIG. 4

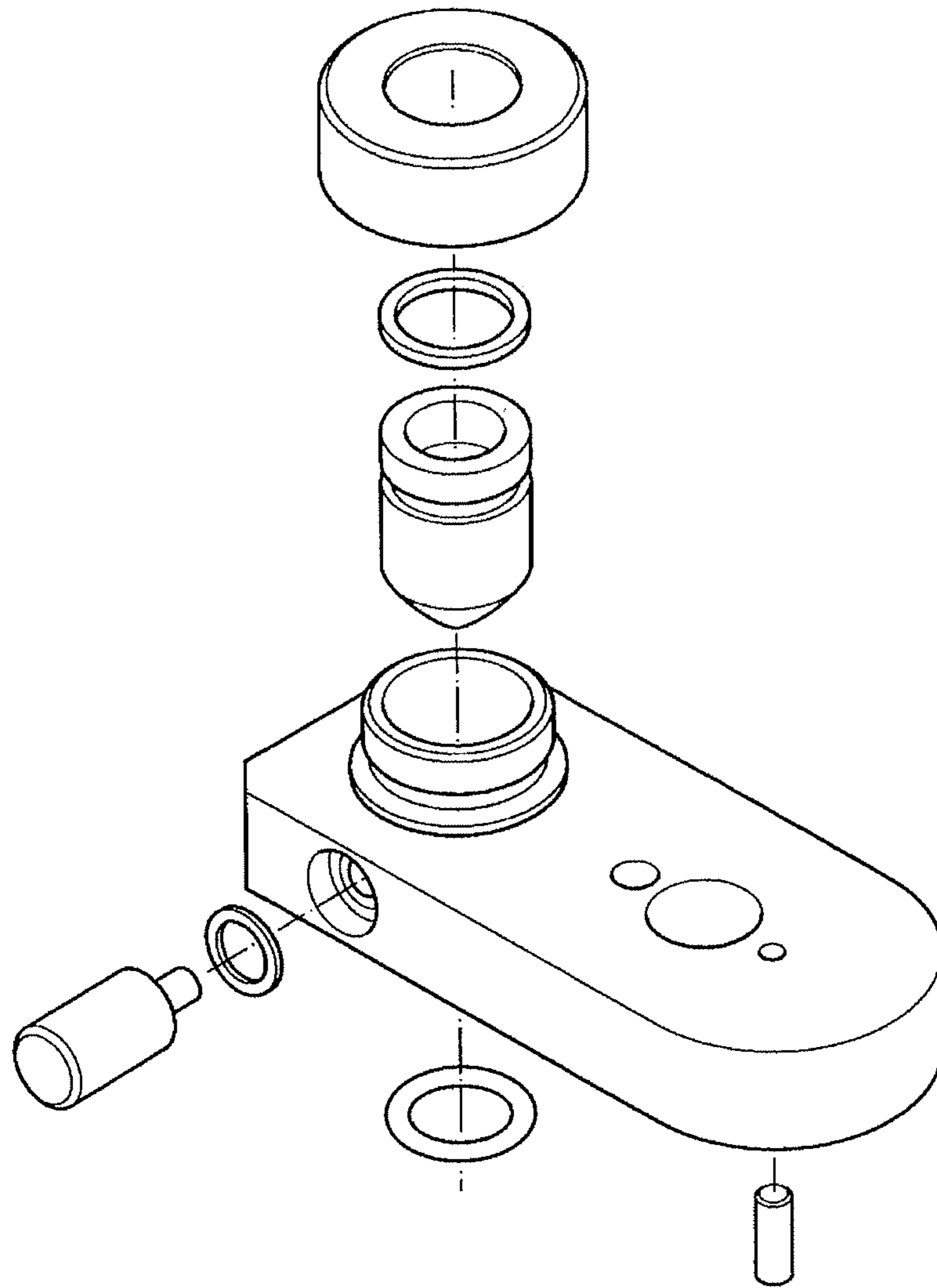


FIG. 5

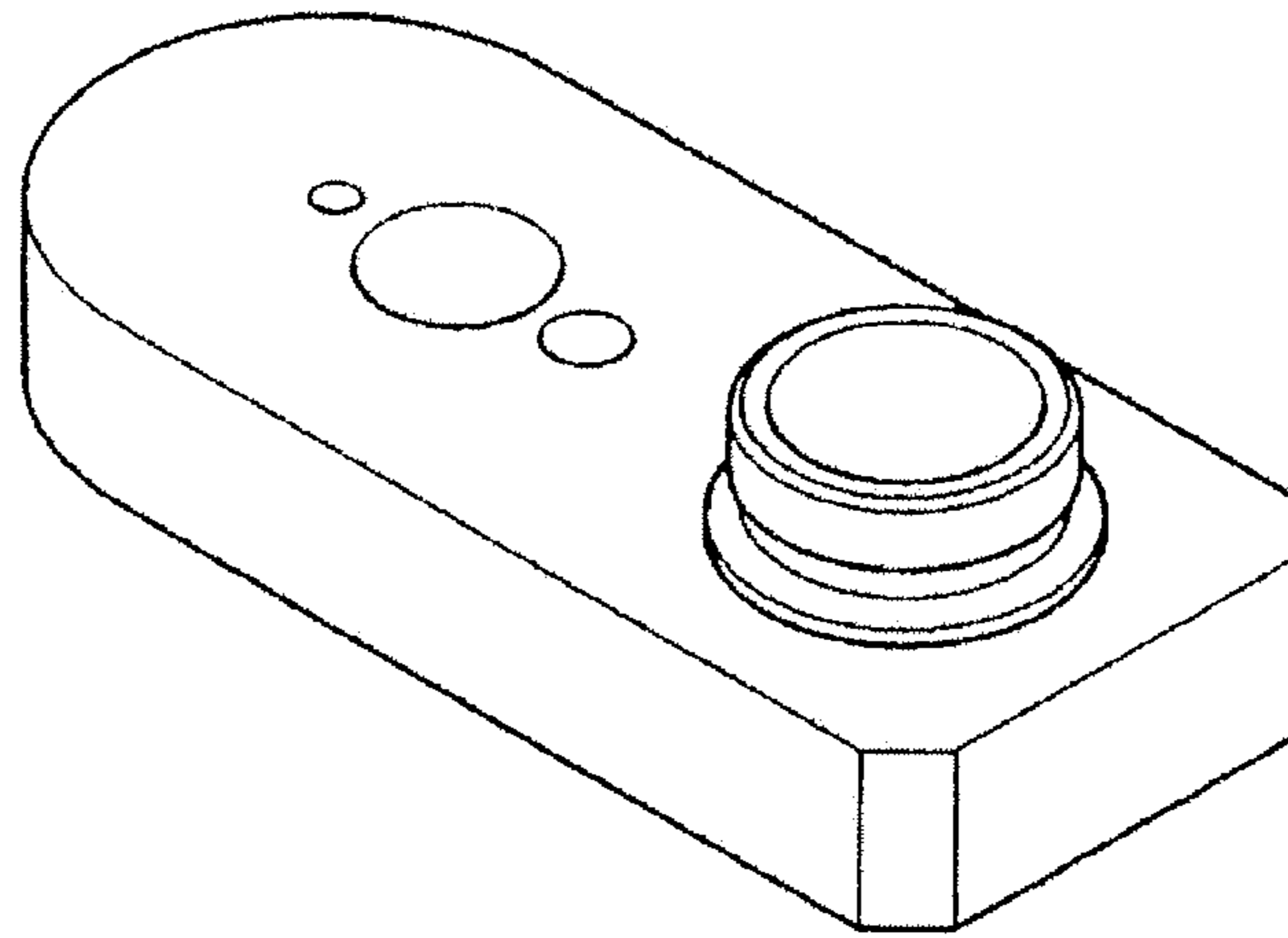


FIG. 6

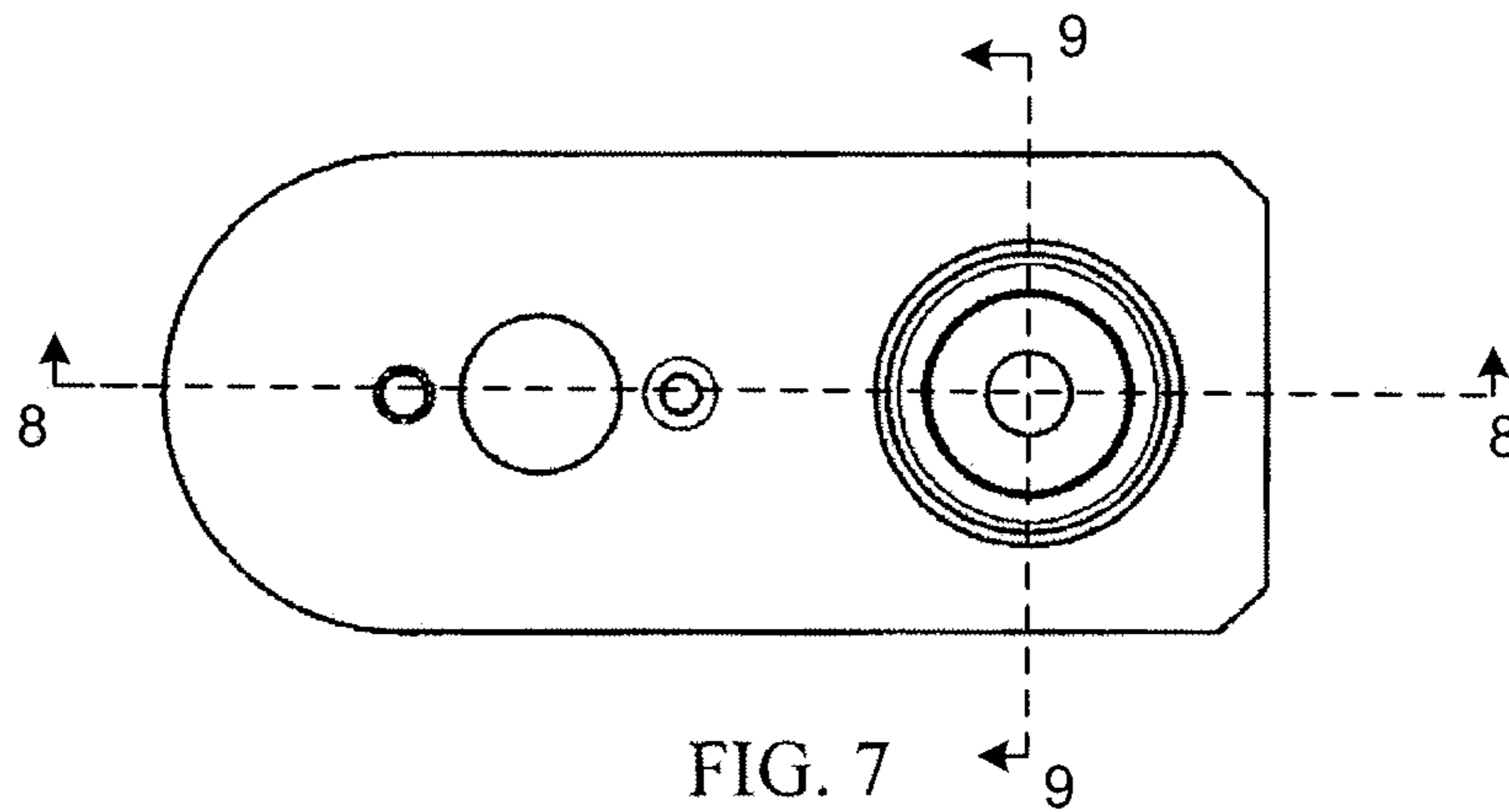


FIG. 7

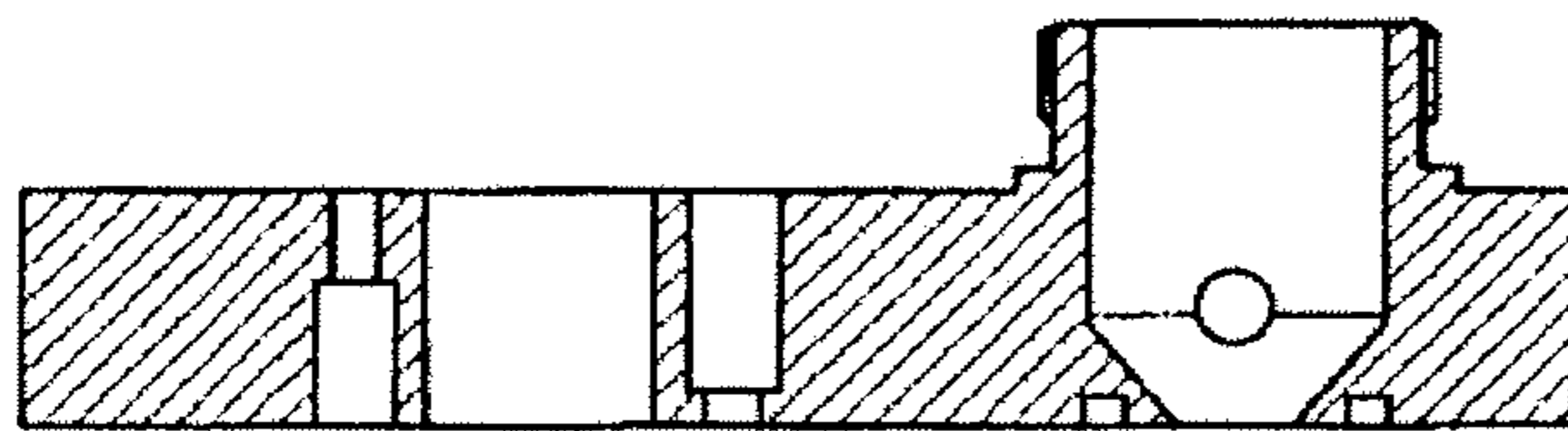


FIG. 8

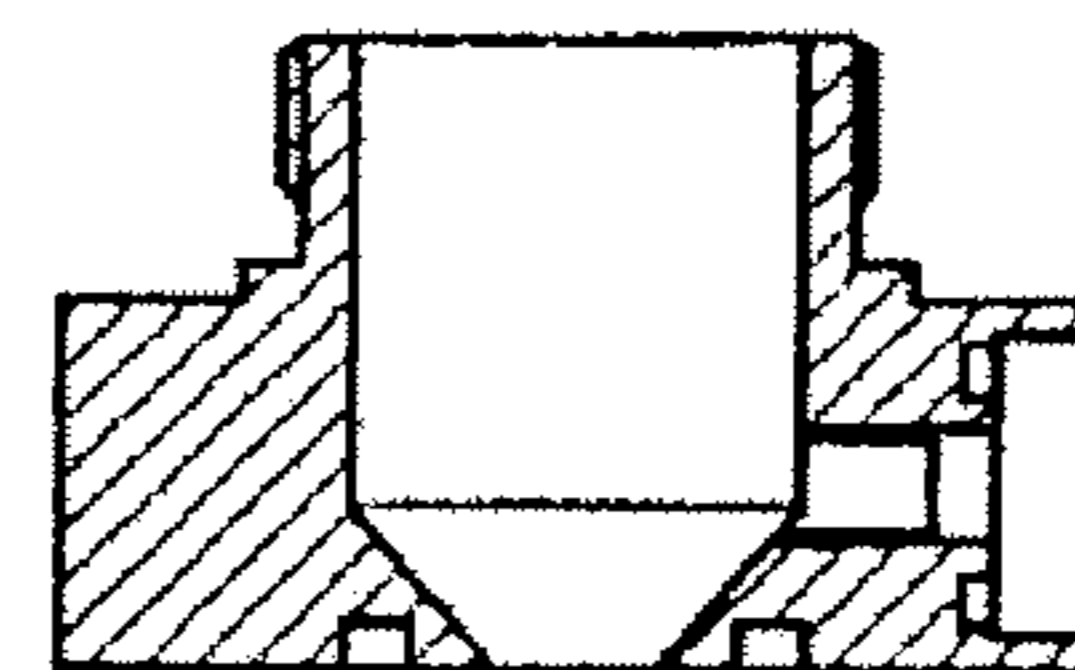


FIG. 9