



US00D701781S

(12) **United States Design Patent**  
**Chen et al.**

(10) **Patent No.:** **US D701,781 S**  
(45) **Date of Patent:** **\*\* Apr. 1, 2014**

- (54) **SCAN TOOL**
- (71) Applicants: **Ieon Chen**, Laguna Hills, CA (US);  
**John Protti**, Long Beach, CA (US)
- (72) Inventors: **Ieon Chen**, Laguna Hills, CA (US);  
**John Protti**, Long Beach, CA (US)
- (73) Assignee: **Innova Electronics, Inc.**, Irvine, CA  
(US)
- (\*\*) Term: **14 Years**
- (21) Appl. No.: **29/441,458**
- (22) Filed: **Jan. 4, 2013**
- (51) **LOC (10) Cl.** ..... **10-04**
- (52) **U.S. Cl.**  
USPC ..... **D10/78**
- (58) **Field of Classification Search**  
USPC ..... D10/78; D14/203.3, 203.7, 341, 346,  
D14/347, 138 AA, 507, 426; 324/76.12, 426,  
324/500; 340/438, 439; 701/24, 29-35;  
702/119, 123, 182, 183; 714/E11.207;  
717/136, 142, 143  
See application file for complete search history.

- 7,085,680 B2 8/2006 Huang
- 7,116,216 B2 10/2006 Andreasen
- 7,209,813 B2 4/2007 Namaky
- RE39,619 E 5/2007 Andreasen
- D545,223 S 6/2007 Chen
- D558,621 S 1/2008 Rich et al.
- D559,137 S 1/2008 Protti
- D560,129 S 1/2008 Rich
- D560,527 S 1/2008 Rich
- 7,325,775 B2 2/2008 Chen
- D563,249 S 3/2008 Chen
- D569,280 S 5/2008 Chen
- 7,376,497 B2 5/2008 Chen
- D571,241 S 6/2008 Andreasen
- 7,437,227 B2 10/2008 Andreasen
- D581,822 S 12/2008 Madison
- 7,464,000 B2 12/2008 Huang
- D590,387 S 4/2009 Chen
- 7,520,668 B2 4/2009 Chen
- RE40,798 E 6/2009 Chen
- RE40,799 E 6/2009 Chen

(Continued)

*Primary Examiner* — Antoine D Davis  
(74) *Attorney, Agent, or Firm* — Stetina Brunda Garred & Brucker

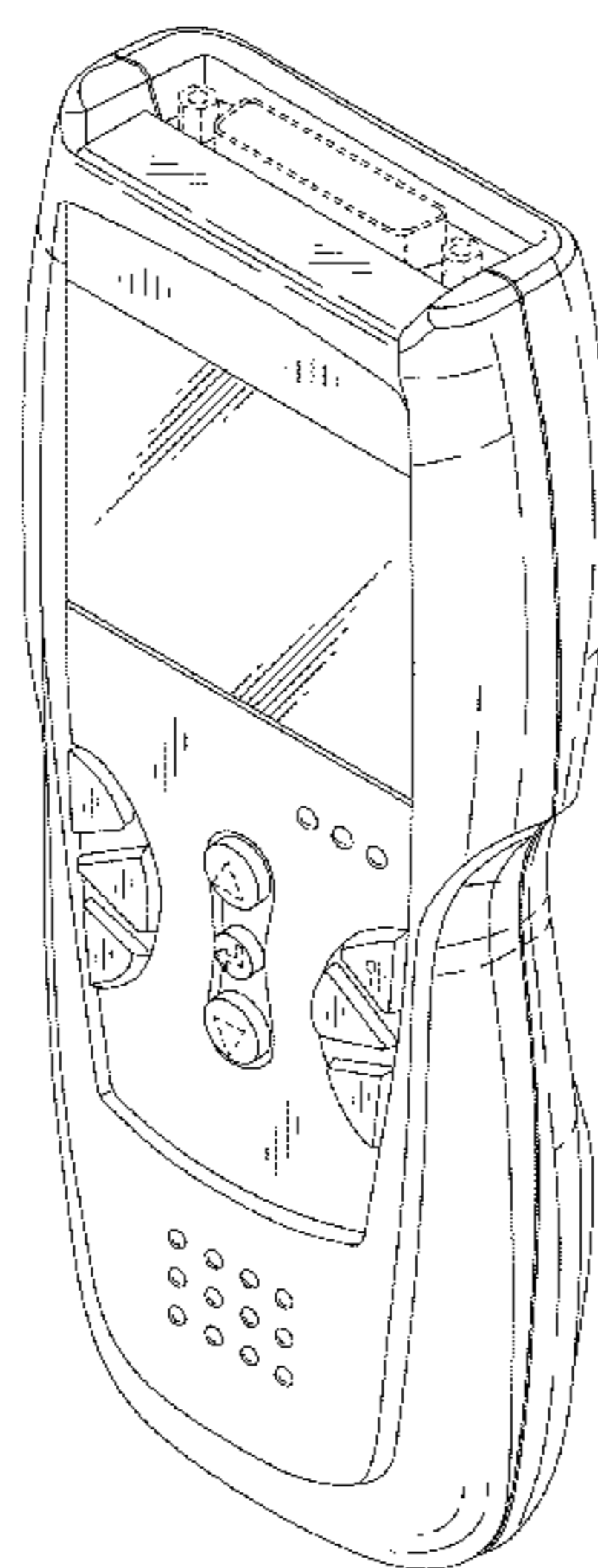
(57) **CLAIM**  
The ornamental design for a scan tool, as shown and described.

**DESCRIPTION**

FIG. 1 is a front perspective view of invention;  
FIG. 2 is a bottom view of the invention;  
FIG. 3 is a front view of the invention;  
FIG. 4 is a left side perspective view of the invention;  
FIG. 5 is a top view of the invention;  
FIG. 6 is a back view of the invention; and,  
FIG. 7 is a right side perspective view of the invention.  
The broken line showing of structural feature is included for the purpose of illustrating non-claimed subject matter and forms no part of the claimed design.

**1 Claim, 3 Drawing Sheets**

- (56) **References Cited**  
U.S. PATENT DOCUMENTS
- D334,560 S 4/1993 Wilson
- 5,347,211 A 9/1994 Jakubowski
- D377,622 S 1/1997 Chen
- 5,635,841 A 6/1997 Taylor
- 5,767,681 A 6/1998 Huang
- 6,000,413 A 12/1999 Chen
- 6,499,385 B2 12/2002 Protti
- 6,868,369 B2 3/2005 Huang
- 6,940,270 B2 9/2005 Chen
- D510,287 S 10/2005 Chen
- 6,968,733 B2 11/2005 Andreasen
- 7,030,742 B2 4/2006 Treadway



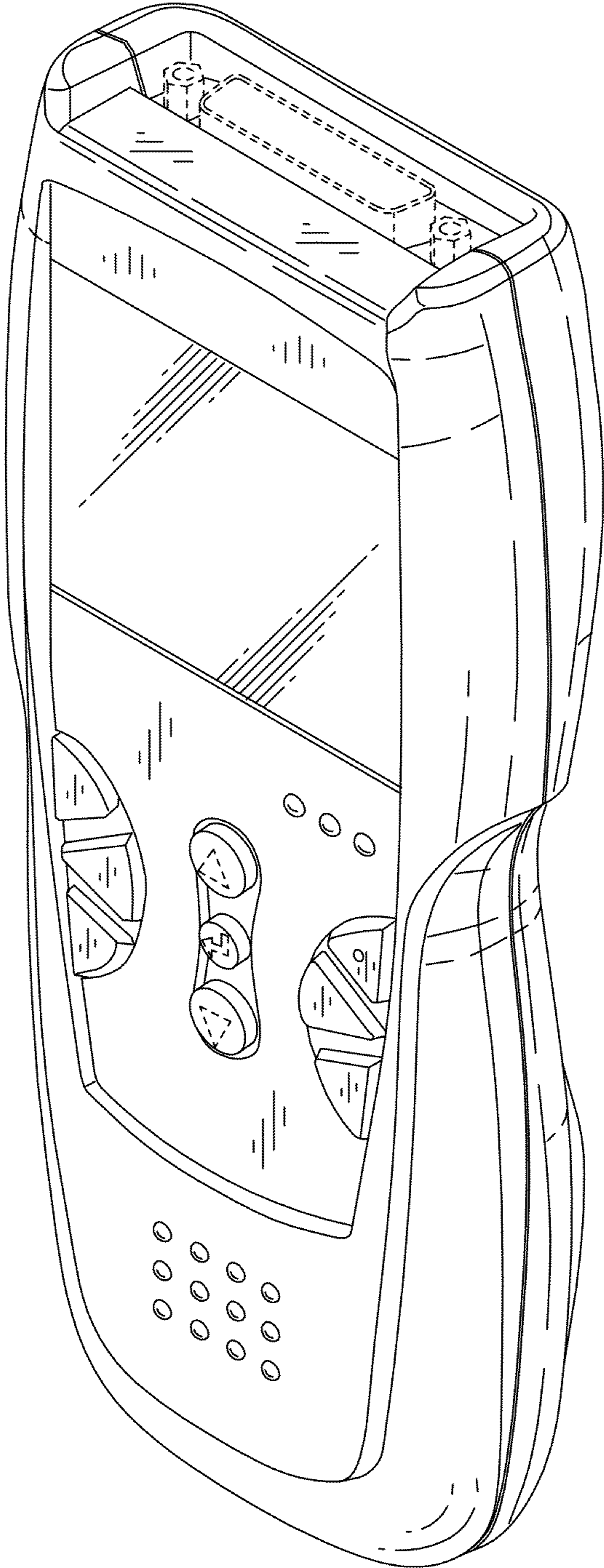
(56)

**References Cited**

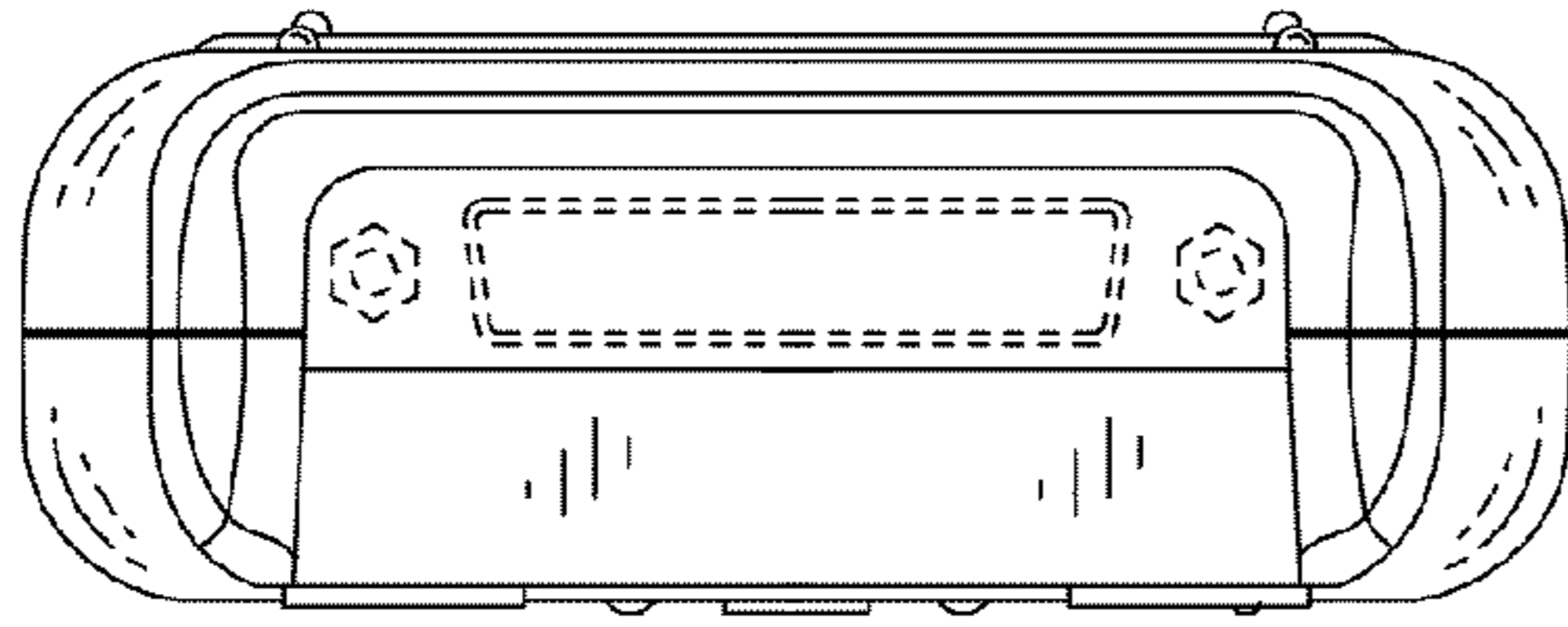
U.S. PATENT DOCUMENTS

7,603,293 B2	10/2009	Chenn	D646,599 S	10/2011	Chen	
D610,586 S	2/2010	Chen	8,032,419 B2	10/2011	Chenn	
7,734,390 B2	6/2010	Chen	8,068,951 B2	11/2011	Chen et al.	
D624,446 S	9/2010	Chen	8,301,329 B2	10/2012	Andreasen	
D624,838 S	10/2010	Chen	8,306,687 B2	11/2012	Chen	
D625,209 S	10/2010	Chen	8,370,018 B2	2/2013	Andreasen	
D625,210 S	10/2010	Chen	D694,141 S *	11/2013	Lienenkamp	..... D10/101
D625,634 S	10/2010	Chen	2008/0119981 A1	5/2008	Chen	
7,974,750 B2	7/2011	Namaky	2009/0276115 A1	11/2009	Chen	
8,019,503 B2	9/2011	Andreasen	2011/0224866 A1	9/2011	Chen	
8,024,083 B2	9/2011	Chenn	2011/0264322 A1	10/2011	Chen	
D646,188 S	10/2011	Chen	2012/0010775 A1	1/2012	Chen	
			2012/0215398 A1	8/2012	Chen	
			2013/0261882 A1 *	10/2013	Bertosa et al.	..... 701/33.2
			2013/0282227 A1 *	10/2013	Chen et al.	..... 701/31.5

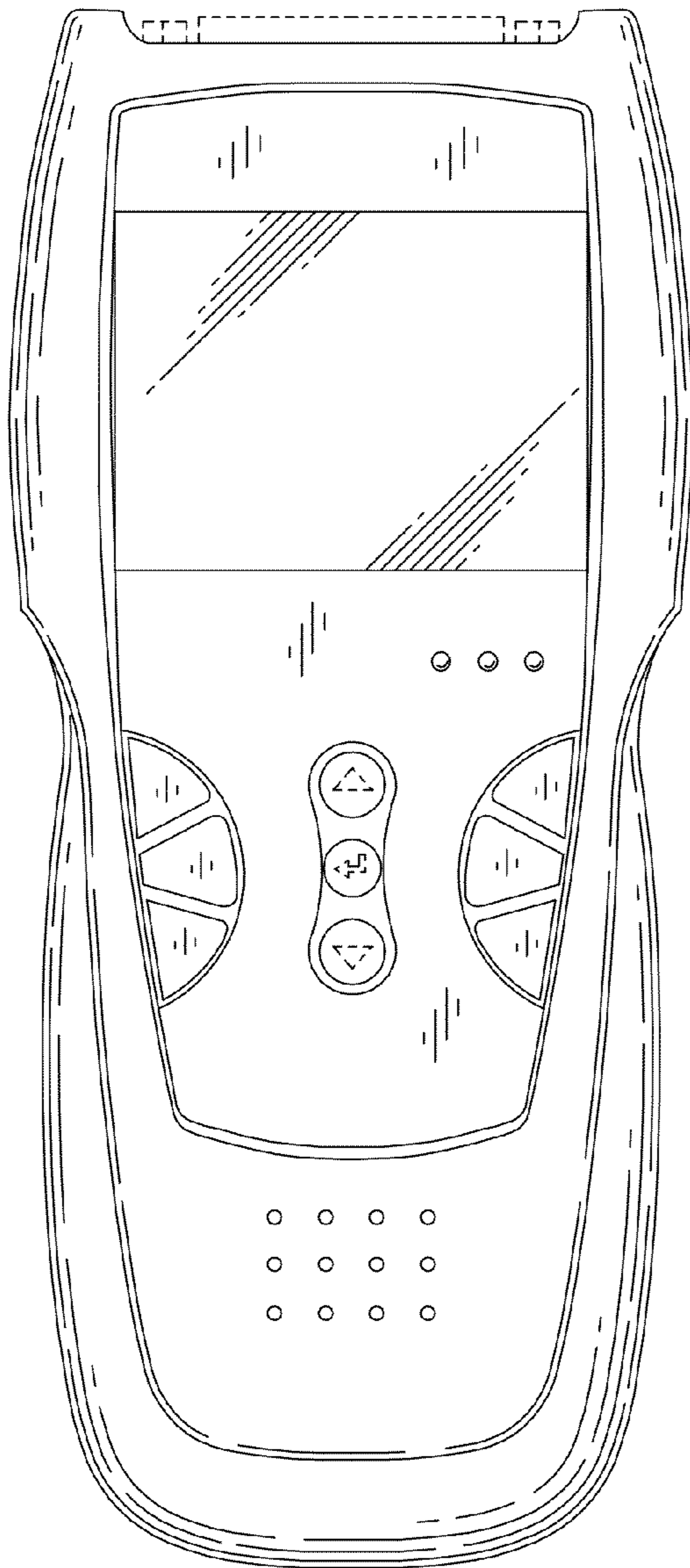
\* cited by examiner



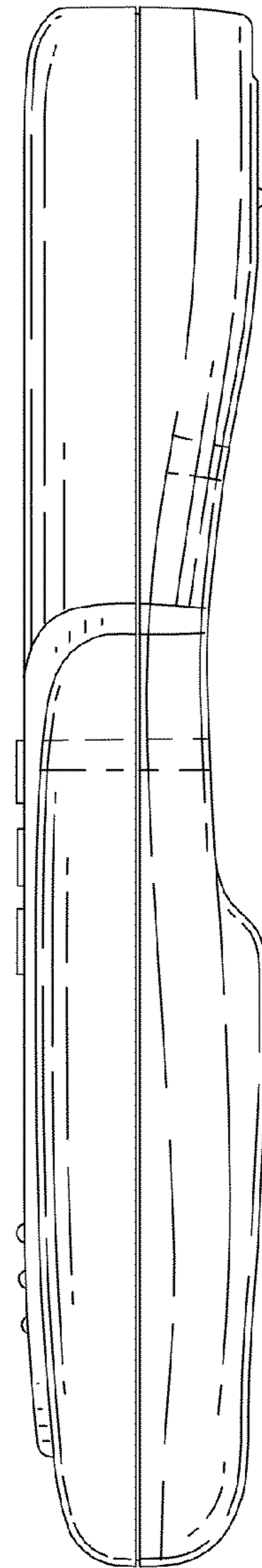
*Fig. 1*



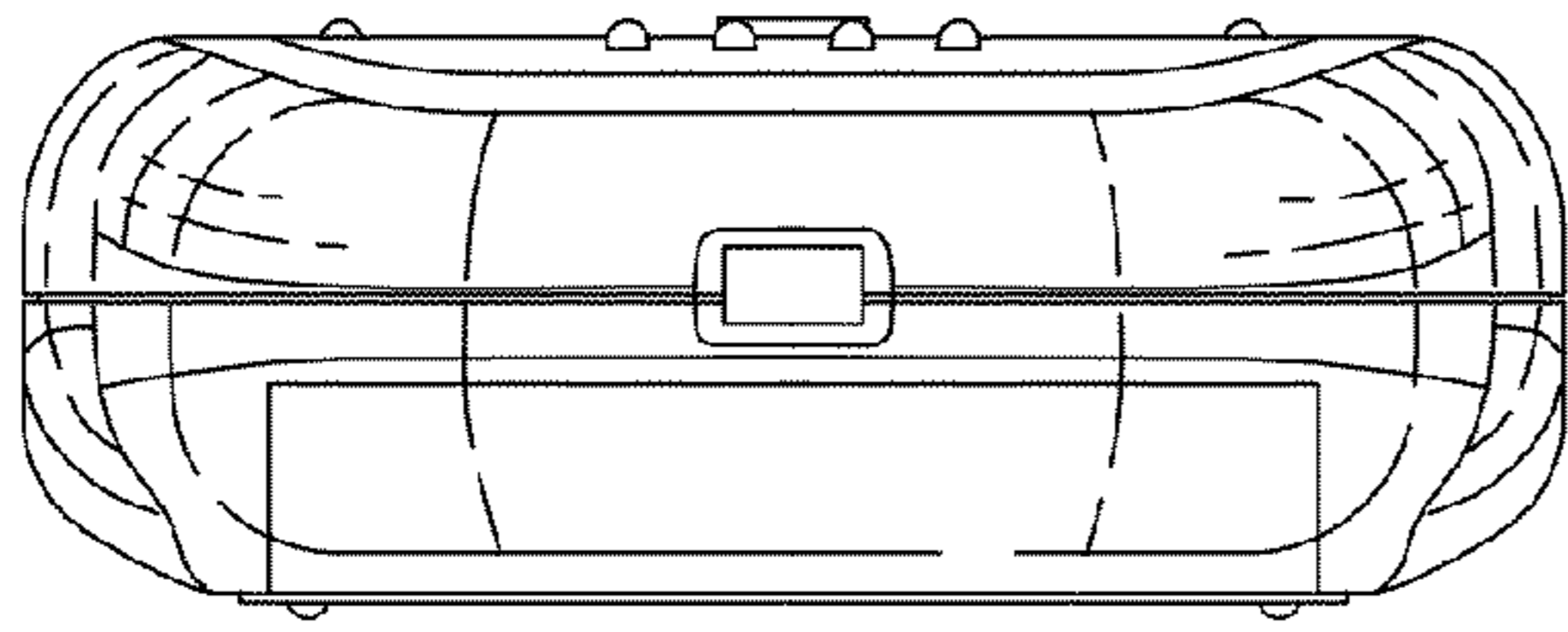
*Fig. 2*



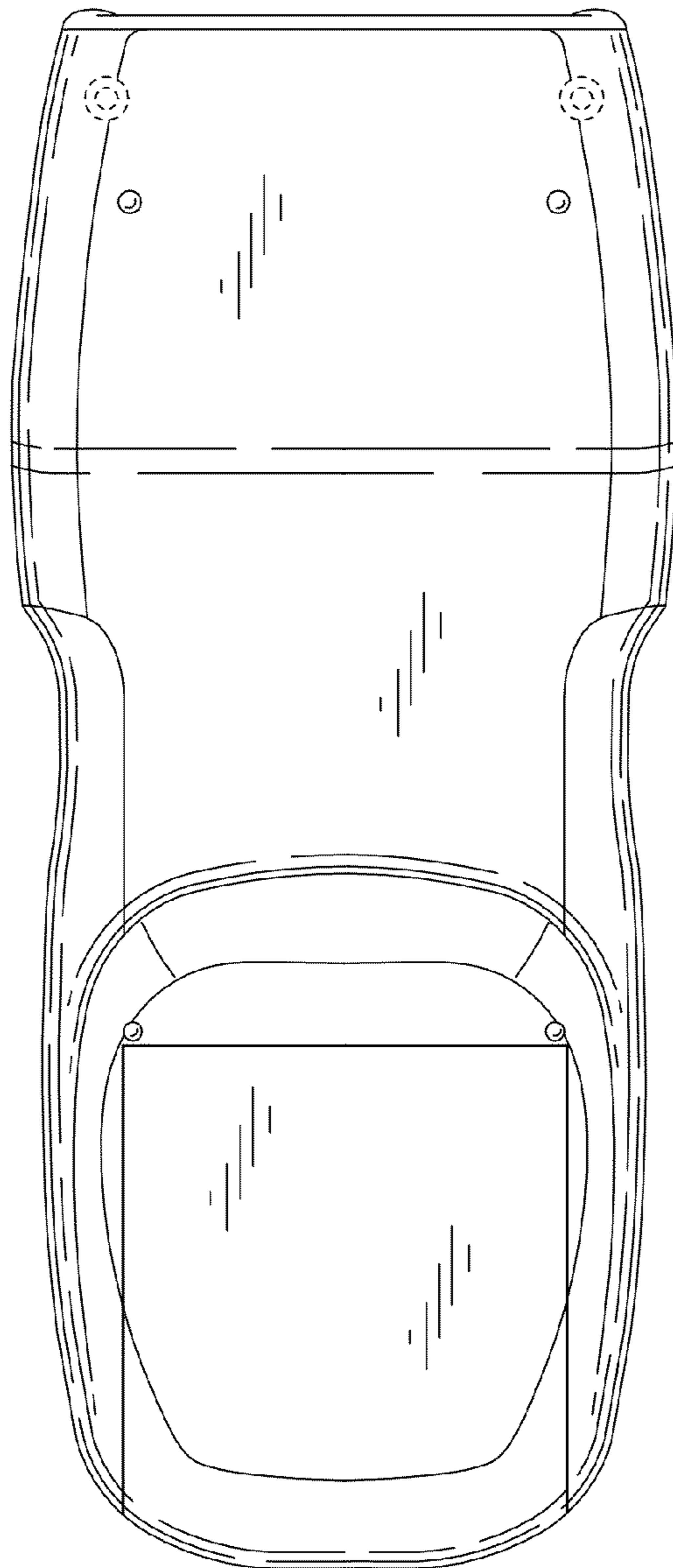
*Fig. 3*



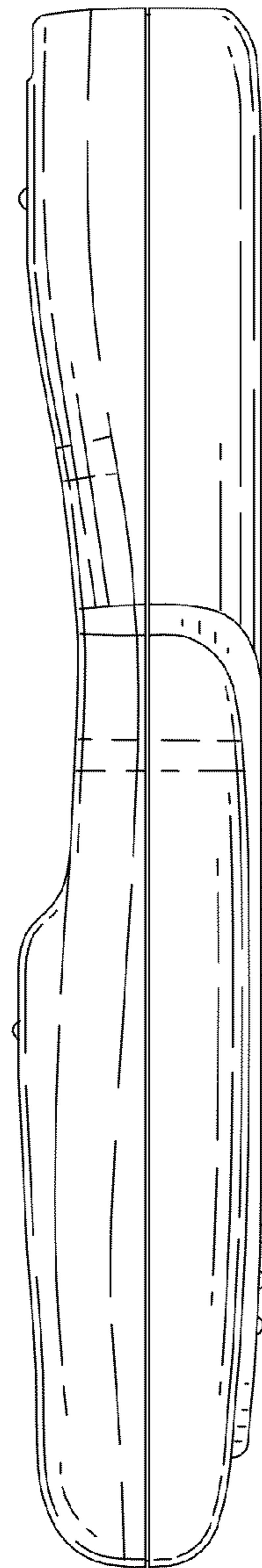
*Fig. 4*



*Fig. 5*



*Fig. 6*



*Fig. 7*