



US00D701779S

(12) **United States Design Patent**
Bremenkamp

(10) **Patent No.:** **US D701,779 S**

(45) **Date of Patent:** **** Apr. 1, 2014**

(54) **COMPUTER PERIPHERAL DEVICE HAVING
A DISPLAY**

(75) Inventor: **Ralph Bremenkamp**, München (DE)

(73) Assignee: **Continental Automotive GmbH**,
Hannover (DE)

(**) Term: **14 Years**

(21) Appl. No.: **29/410,503**

(22) Filed: **Jan. 9, 2012**

(30) **Foreign Application Priority Data**

Jul. 7, 2011 (EM) 001888413-0003

(51) **LOC (10) Cl.** **10-04**

(52) **U.S. Cl.**
USPC **D10/70; D10/98**

(58) **Field of Classification Search**
USPC D10/96, 98, 65, 70; D14/138 R,
D14/341-347, 507-510, 136, 167, 168, 496,
D14/498, 499, 500, 125-134, 239, 371,
D14/374-377, 440, 450, 448, 336; 343/702;
345/87, 104, 133, 156, 168, 173,
345/901-905, 165; 348/180, 184, 315, 739,
348/836, 838, 325; 364/444, 499; 701/31.4,
701/33.2, 432, 408-418, 431, 537; 312/7.2;
341/12; 720/605, 669, 600, 655;
369/99, 197; 455/344, 347, 575.1;
250/221, 338.3, 340, 239, 243, 342,
250/341, DIG. 1, 353; 307/116, 117;
340/438, 439, 440, 441, 449, 450, 451,
340/459, 462, 521, 527, 567, 568.2, 539.23,
340/635, 687; 315/159; 324/72.5, 556, 133,

324/141, 149, 503, 543, 555, 66, 72, 754,
324/115, 522; 73/615, 624, 627, 644,
73/514.33, 514.34, 510, 513, 527, 530;
356/3.01-5.15; 235/105; 377/5, 24.2,
377/26; 702/155, 160; 361/679.41; 248/918

See application file for complete search history.

(56) **References Cited**

U.S. PATENT DOCUMENTS

6,788,528 B2 * 9/2004 Enners et al. 361/679.41
6,816,760 B1 * 11/2004 Namaky 701/33.2
7,116,216 B2 * 10/2006 Andreasen et al. 340/438
D665,679 S * 8/2012 Shigeno et al. D10/70
8,339,254 B2 * 12/2012 Drew et al. 340/438
D675,118 S * 1/2013 Shigeno et al. D10/70
D688,576 S * 8/2013 Tsai D10/65

* cited by examiner

Primary Examiner — Antoine D Davis

(74) *Attorney, Agent, or Firm* — Cozen O'Connor

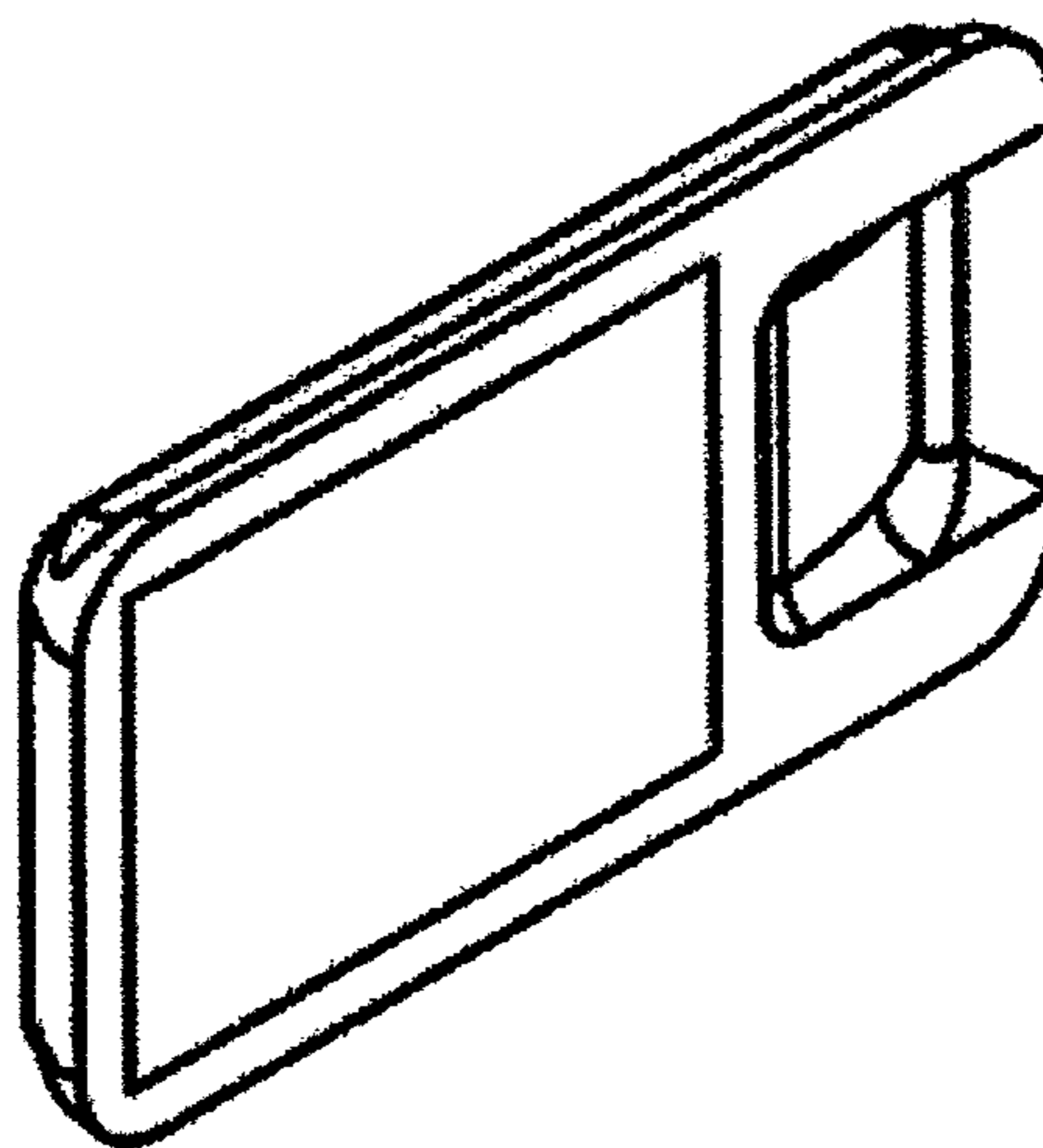
(57) **CLAIM**

The ornamental design for a computer peripheral device hav-
ing a display, as shown and described.

DESCRIPTION

FIG. 1 is a perspective view of a computer peripheral device
having a display showing the present invention;
FIG. 2 is a front view thereof;
FIG. 3 is a right side view thereof;
FIG. 4 is a rear view thereof;
FIG. 5 is a left side view thereof
FIG. 6 is a top view thereof; and,
FIG. 7 is a bottom view thereof.

1 Claim, 4 Drawing Sheets



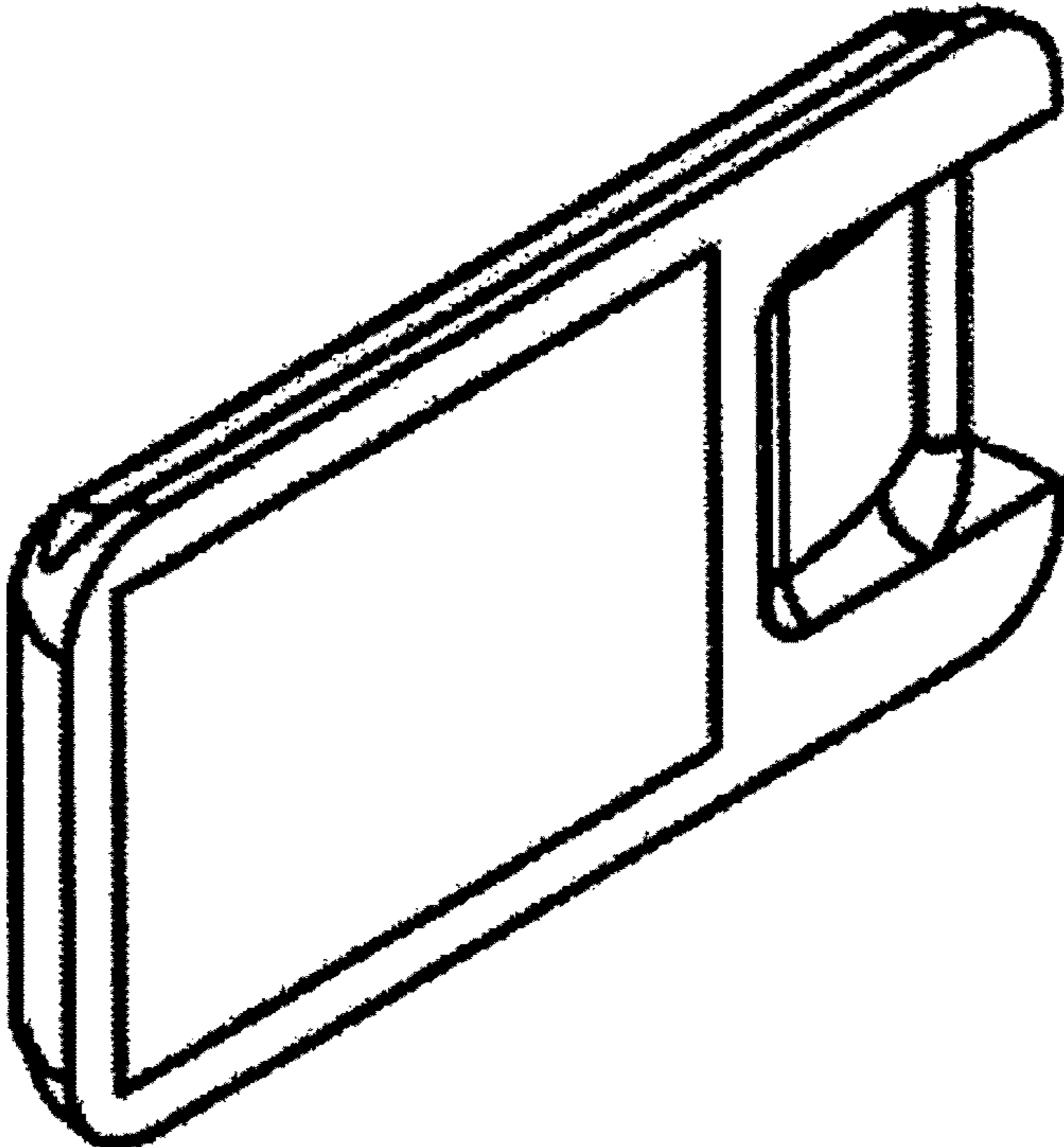


Fig. 1

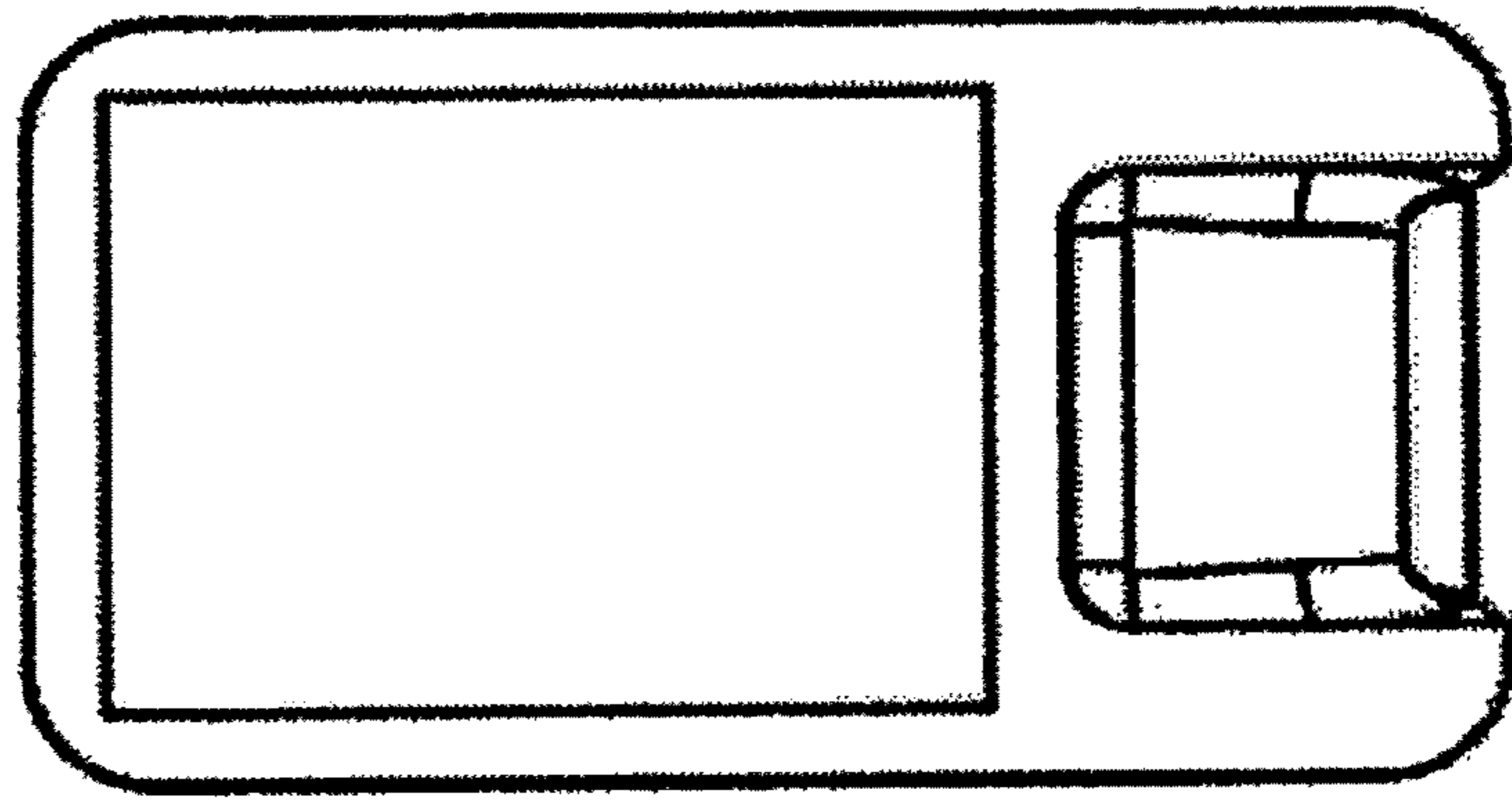


Fig. 2



Fig. 3

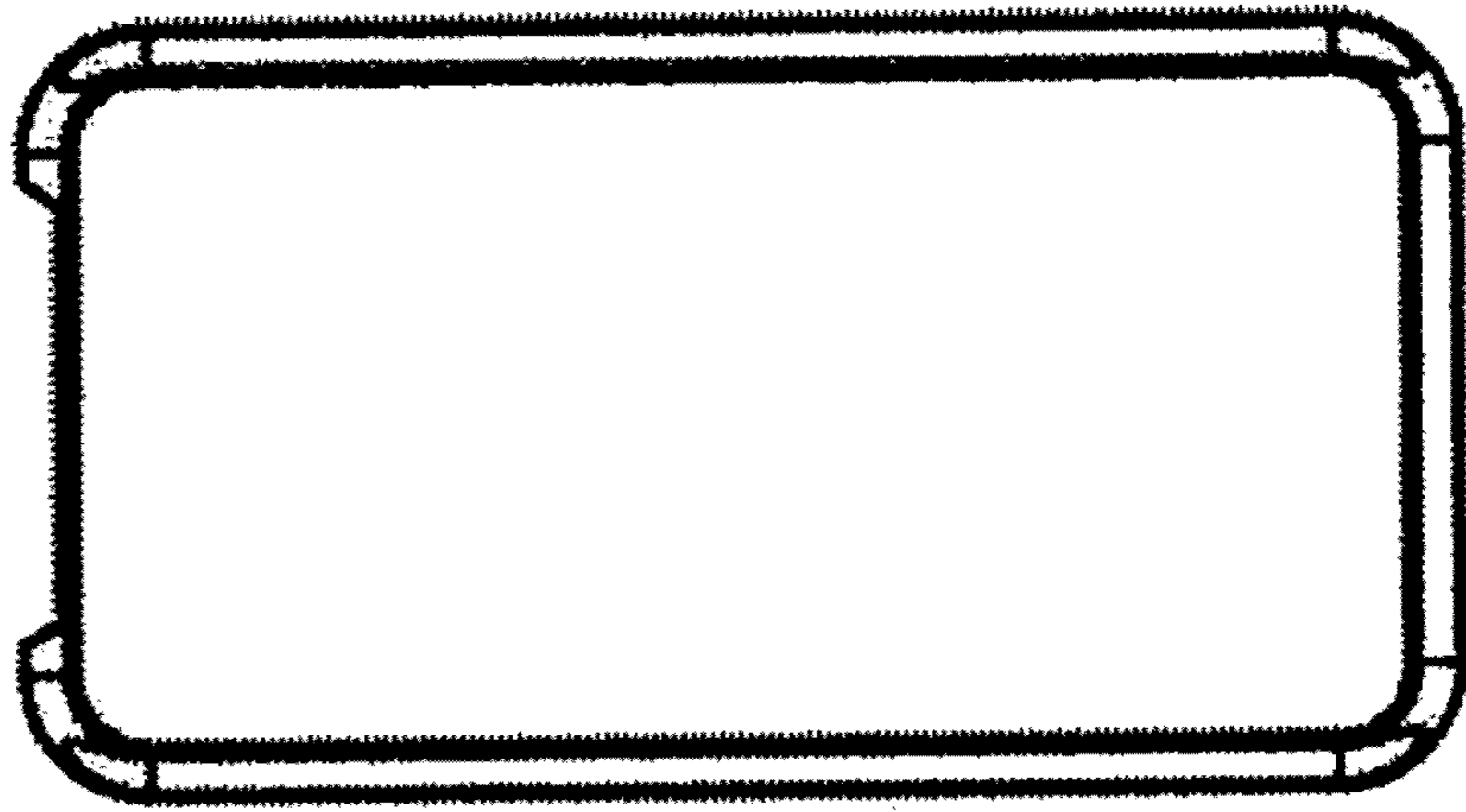


Fig. 4

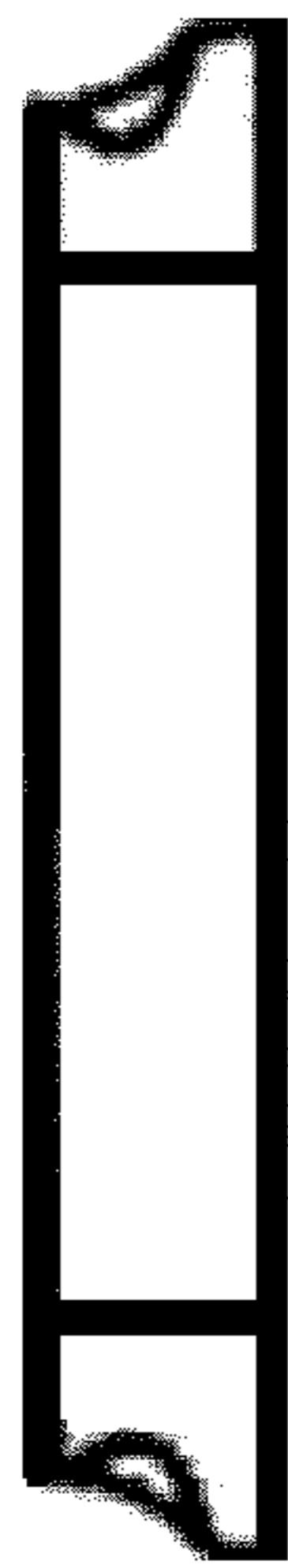


Fig. 5



Fig. 6.



Fig. 7