



US00D701769S

(12) **United States Design Patent**
Eble

(10) **Patent No.:** **US D701,769 S**

(45) **Date of Patent:** **** Apr. 1, 2014**

(54) **CONTAINER**

(75) Inventor: **Raymond C. Eble**, Sugarloaf, PA (US)

(73) Assignee: **Pretium Packaging, L.L.C.**,
Chesterfield, MO (US)

(**) Term: **14 Years**

(21) Appl. No.: **29/391,650**

(22) Filed: **May 11, 2011**

Related U.S. Application Data

(63) Continuation-in-part of application No. 13/087,883,
filed on Apr. 15, 2011.

(51) **LOC (10) Cl.** **09-01**

(52) **U.S. Cl.**
USPC **D9/560; D9/520; D9/571; D9/574**

(58) **Field of Classification Search**
USPC **D9/516, 520, 522, 544, 546, 559-560,**
D9/563, 565, 571, 574-575, 737,
D9/743-747; 215/379, 381-382, 384;
220/660, 662, 669, 675; D3/203.2;
D24/224

See application file for complete search history.

(56) **References Cited**

U.S. PATENT DOCUMENTS

237,168 A	2/1881	Carpenter	
D47,640 S *	7/1915	Carver	D9/522
D174,591 S *	4/1955	Parsell	D9/560 X
3,323,668 A *	6/1967	Hills	215/10
D217,435 S *	5/1970	Wire	D9/560
D269,067 S *	5/1983	Ballereaud	D9/560
D270,331 S *	8/1983	Benson	D9/520
D313,176 S *	12/1990	Okuda et al.	D9/746

D332,751 S *	1/1993	Pischulti et al.	D9/573 X
D420,772 S *	2/2000	Gabriel et al.	D9/571 X
D431,190 S *	9/2000	Adachi et al.	D9/520
D454,502 S *	3/2002	Legros	D9/544
D515,940 S *	2/2006	Kratko	D9/745
D531,514 S *	11/2006	Harris	D9/575 X
D548,607 S *	8/2007	Langbein et al.	D9/573 X
D581,271 S *	11/2008	Laupie	D9/745 X
D590,721 S *	4/2009	Martinez De San Vicente	D9/571
D601,431 S *	10/2009	Serrano Diaz	D9/560
D603,716 S *	11/2009	Rica	D9/560
D605,055 S *	12/2009	Serrano Diaz	D9/560
D613,177 S *	4/2010	Lee	D9/560
D632,182 S *	2/2011	Russell et al.	D9/565 X
D635,031 S *	3/2011	Themann	D9/544
D646,579 S *	10/2011	Rahe	D9/560
D670,175 S *	11/2012	Philip et al.	D9/563 X
D672,657 S *	12/2012	Hall	D9/565 X

* cited by examiner

Primary Examiner — Carol P Rademaker

(74) *Attorney, Agent, or Firm* — Lewis, Rice & Fingersh,
L.C.

(57) **CLAIM**

The ornamental design for a container, as shown and
described.

DESCRIPTION

FIG. 1 is a top, front, right side perspective view of a con-
tainer;

FIG. 2 is a front elevational view thereof;

FIG. 3 is a rear elevational view thereof;

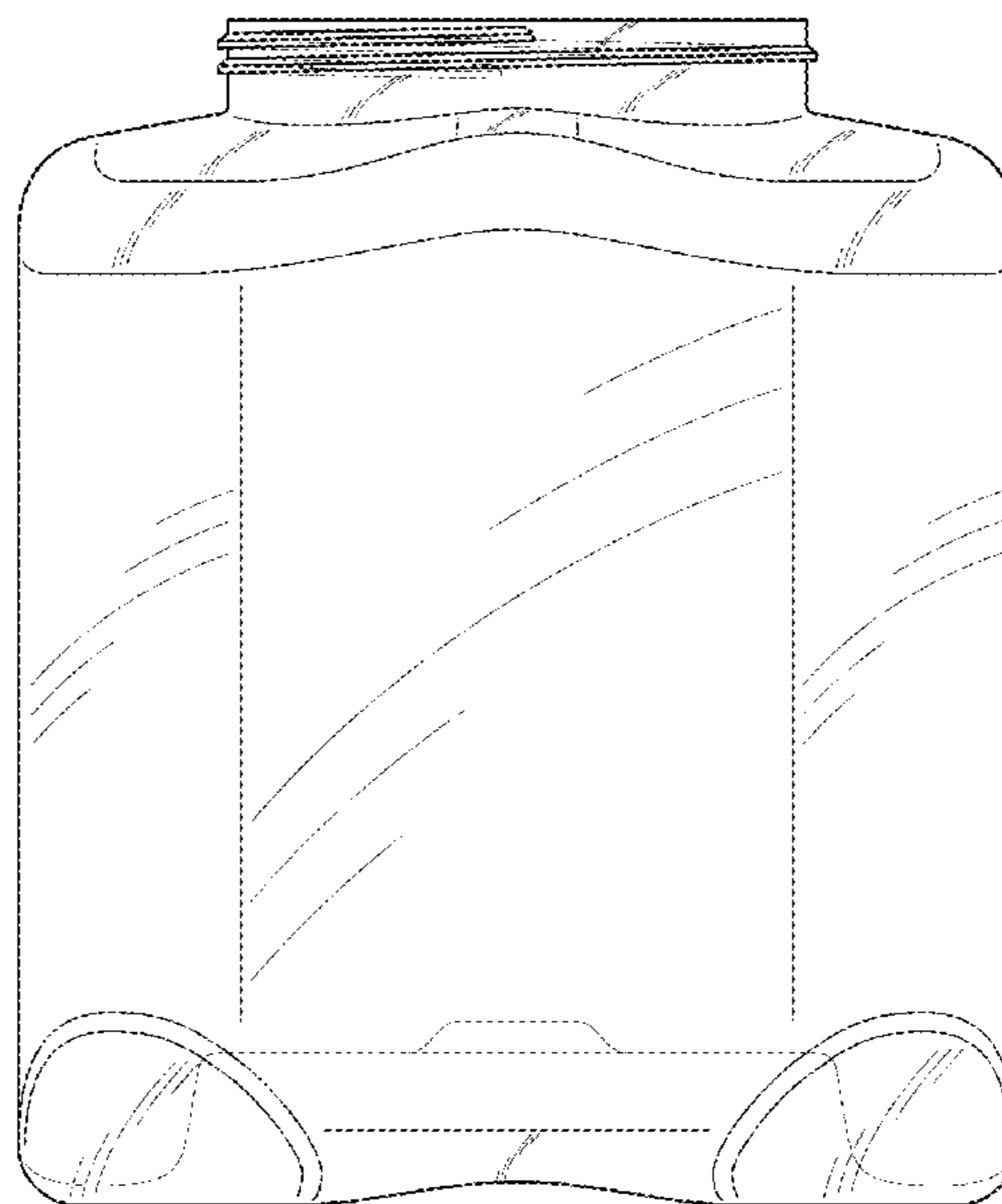
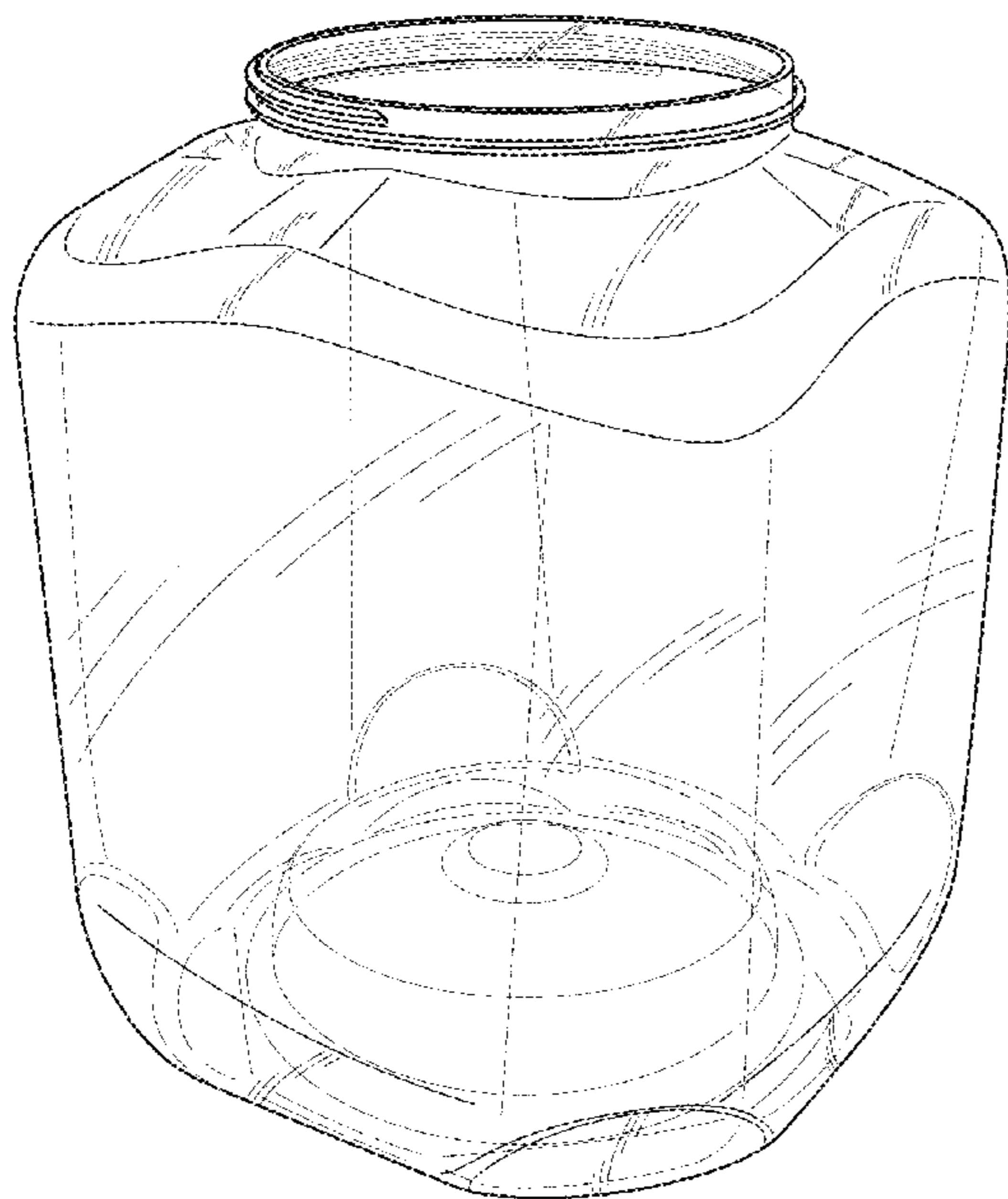
FIG. 4 is a right side elevational view thereof;

FIG. 5 is a left side elevational view thereof;

FIG. 6 is a top plan view thereof; and,

FIG. 7 is a bottom plan view thereof.

1 Claim, 7 Drawing Sheets



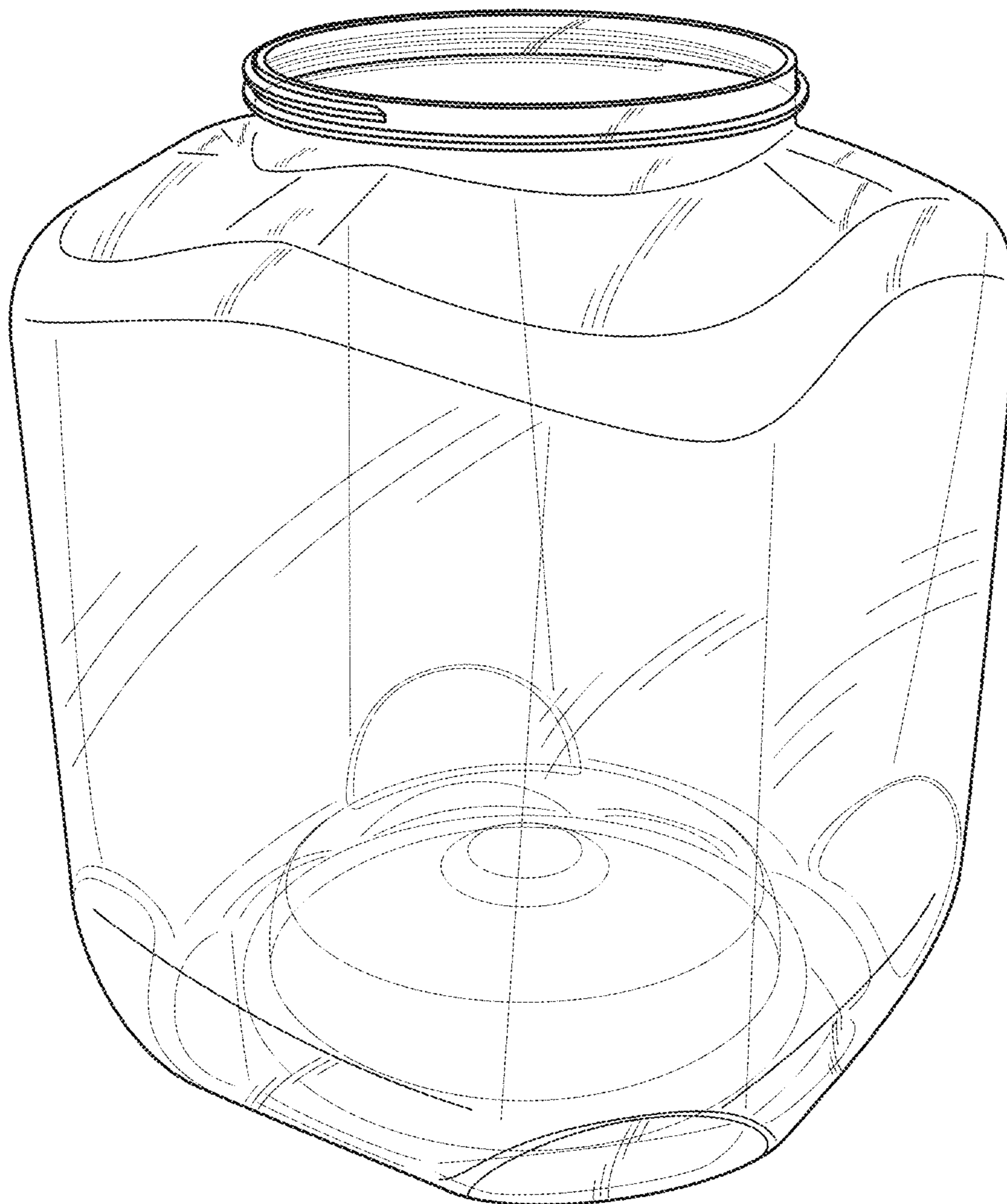


FIG. 1

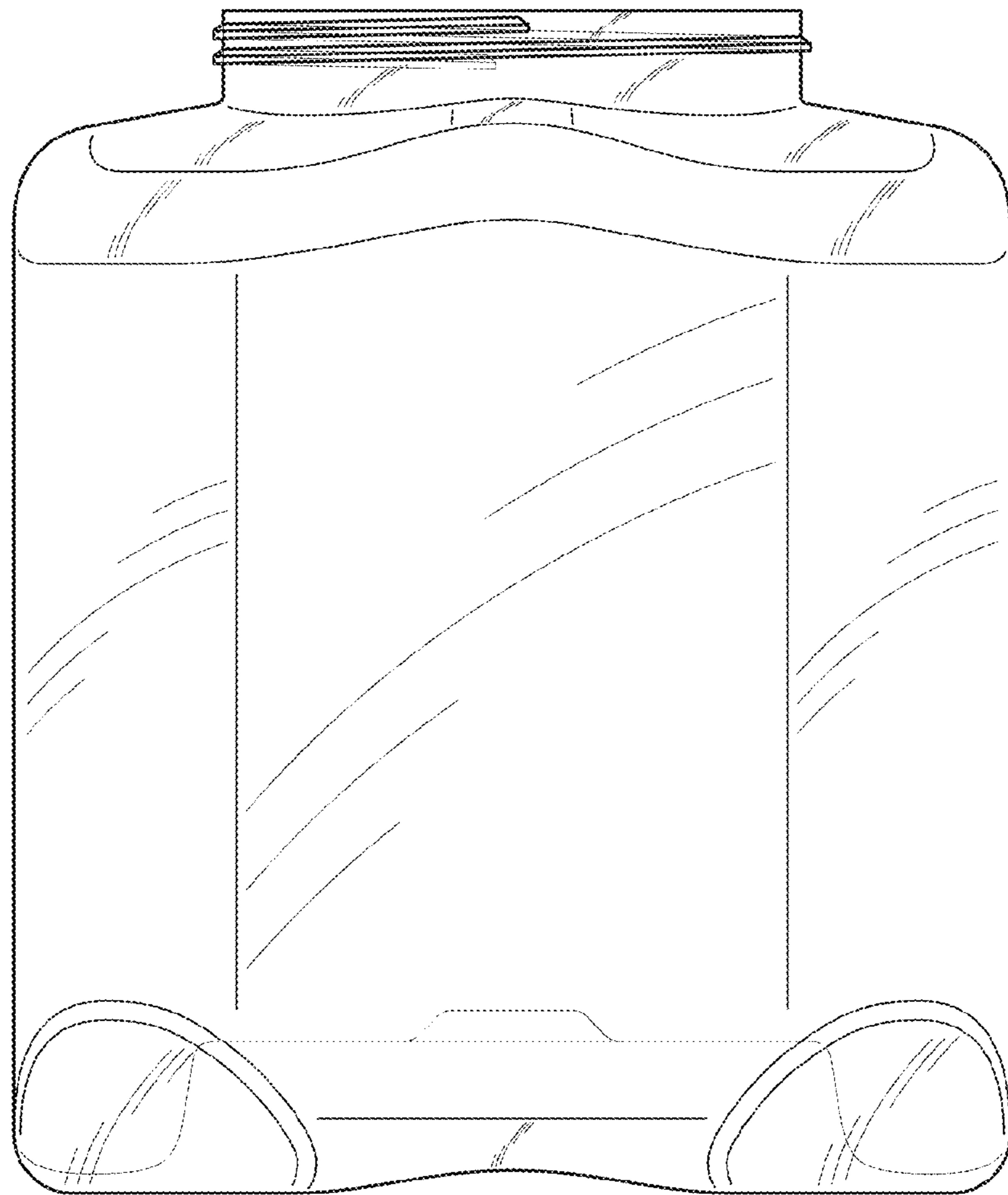


FIG. 2

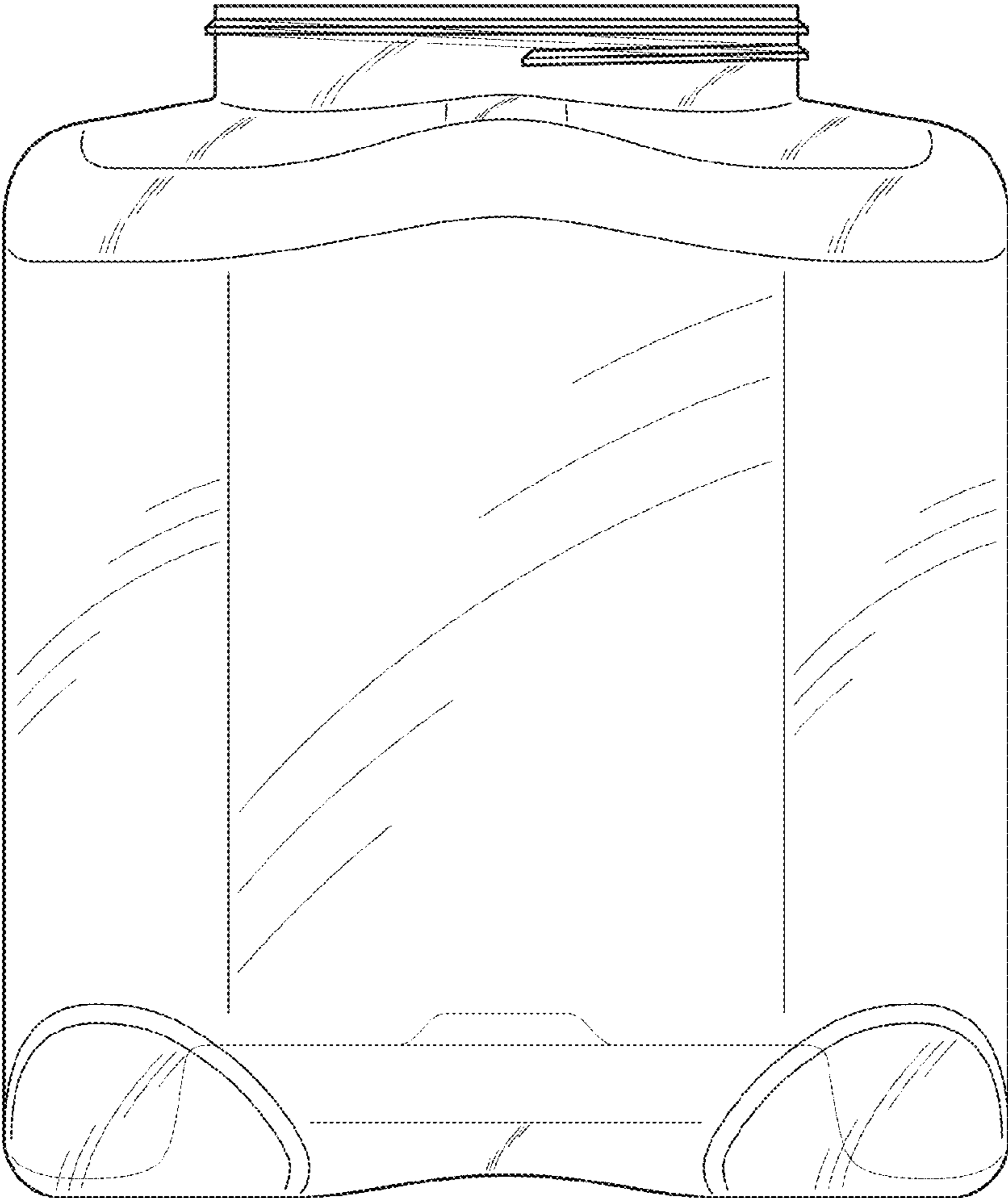


FIG. 3

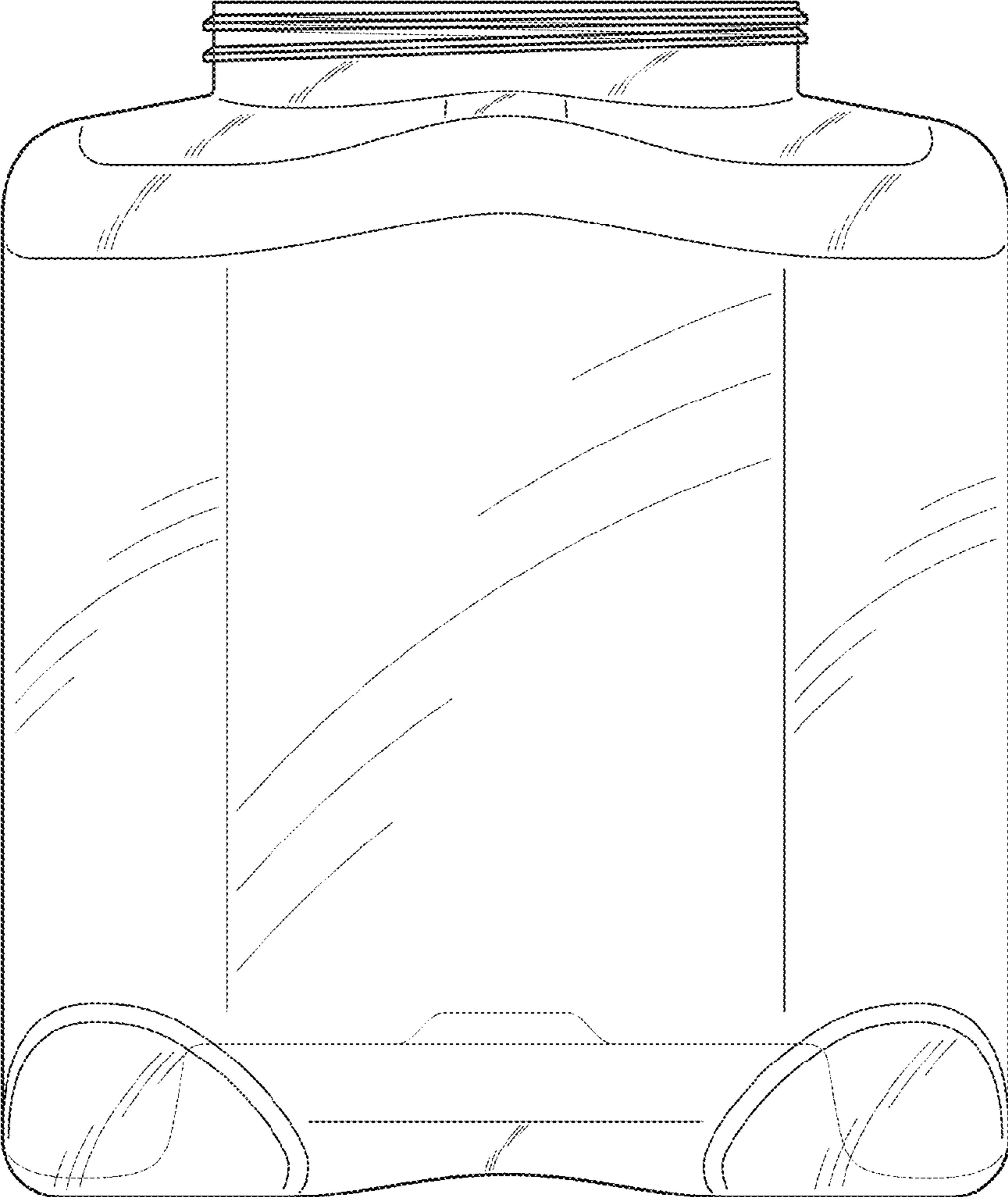


FIG. 4

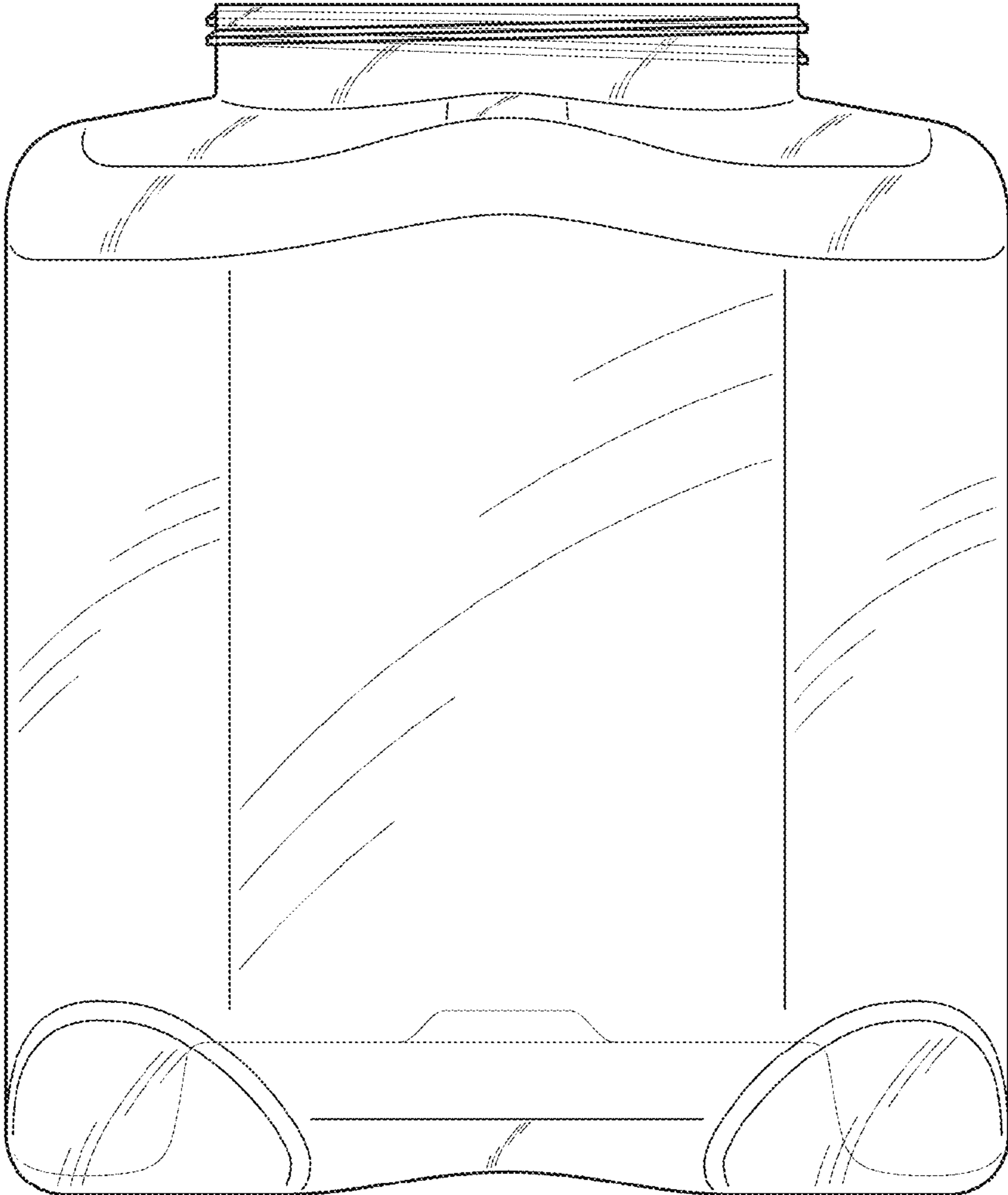


FIG. 5

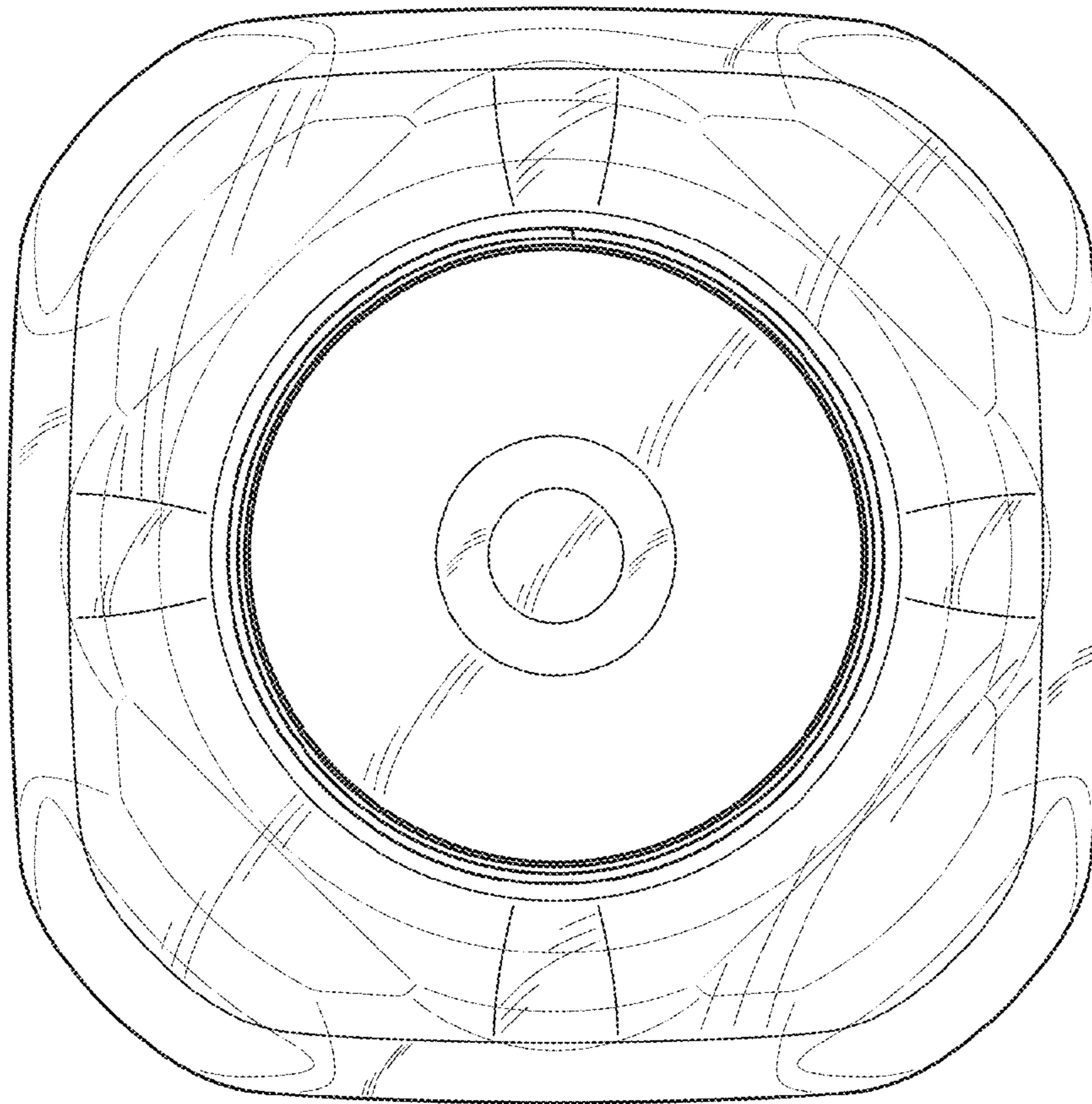


FIG. 6

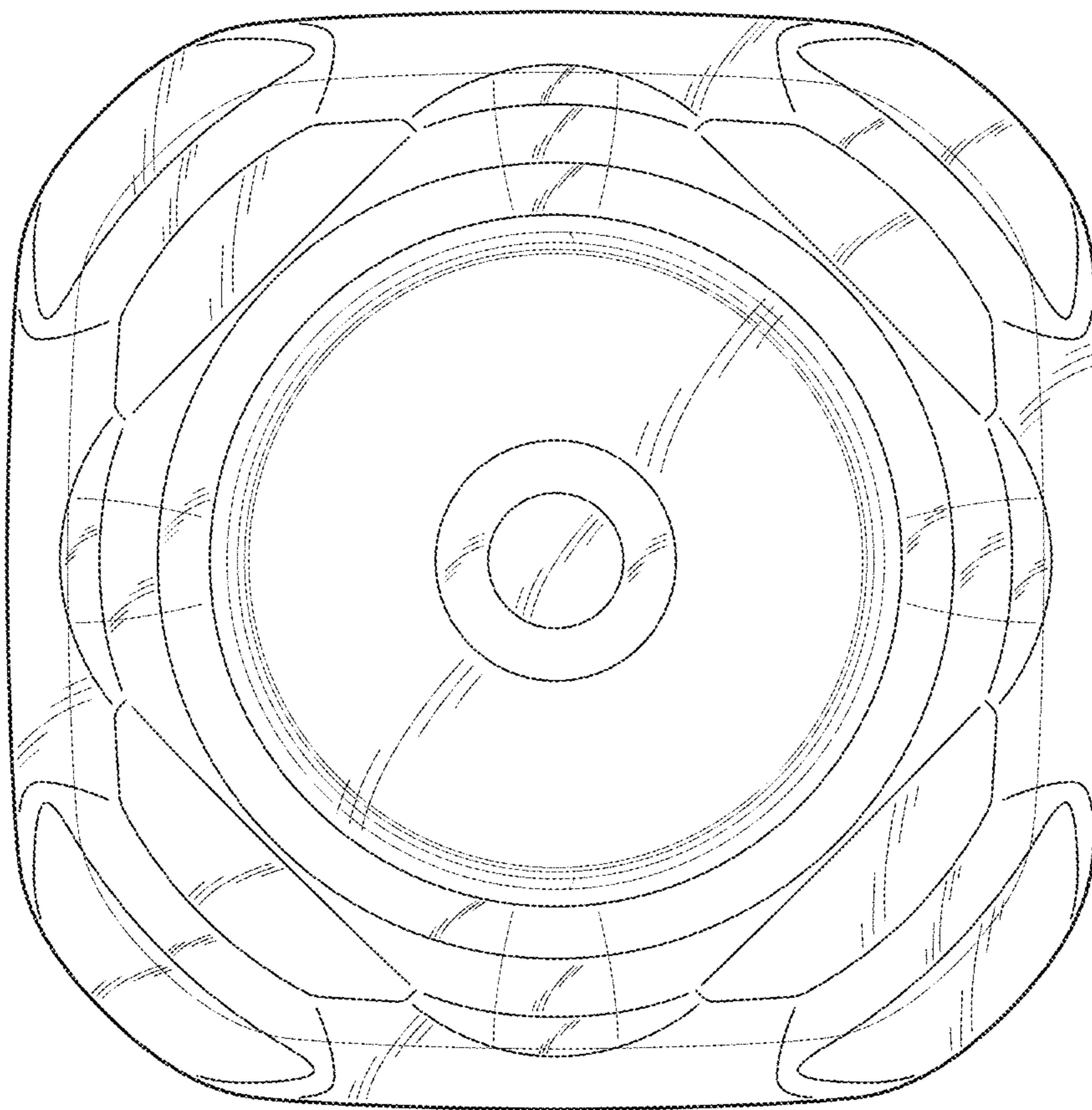


FIG. 7