



US00D701767S

(12) **United States Design Patent**
Marina et al.

(10) **Patent No.:** **US D701,767 S**
(45) **Date of Patent:** **** Apr. 1, 2014**

(54) **POD**
(71) Applicant: **PepsiCo, Inc.**, Purchase, NY (US)
(72) Inventors: **Carlos Hernan Marina**, Deerfield Beach, FL (US); **Jorge Manuel Maquita Nakano**, Distrito Federal (MX); **Tucker Fort**, Brooklyn, NY (US); **Paul Katz**, New York, NY (US); **Jacob Pamborg**, New York, NY (US); **Christopher R. Xydis**, New York, NY (US)

(73) Assignee: **PepsiCo, Inc.**, Purchase, NY (US)
(**) Term: **14 Years**

(21) Appl. No.: **29/447,925**
(22) Filed: **Mar. 7, 2013**
(51) **LOC (10) Cl.** **09-01**
(52) **U.S. Cl.**
USPC **D9/500**

(58) **Field of Classification Search**
USPC D9/500, 502-505, 516, 529, 549, 558, D9/682, 686, 688-691, 779-780; D28/4, D28/76-77; 215/379, 381-382; 220/660, 220/669-673, 675
See application file for complete search history.

(56) **References Cited**
U.S. PATENT DOCUMENTS
D105,671 S * 8/1937 Noble D9/556
2,981,431 A * 4/1961 Schluttig 215/329
D235,193 S * 5/1975 Edwards D9/500

D289,259 S * 4/1987 Strand D9/501
D298,592 S * 11/1988 Stoop D9/500
D392,032 S * 3/1998 Zaragoza et al. D23/369
D474,978 S * 5/2003 Varlet D9/549
D532,305 S * 11/2006 Fellows et al. D9/503
D610,009 S * 2/2010 Prufer D9/504
D622,835 S * 8/2010 Mendheim D23/364
D671,410 S * 11/2012 Asakawa D9/519
D675,102 S * 1/2013 Crowe D9/645
2010/0055252 A1 3/2010 Marina et al.
2011/0166910 A1 7/2011 Marina et al.
2012/0183657 A1 7/2012 Marina et al.

FOREIGN PATENT DOCUMENTS

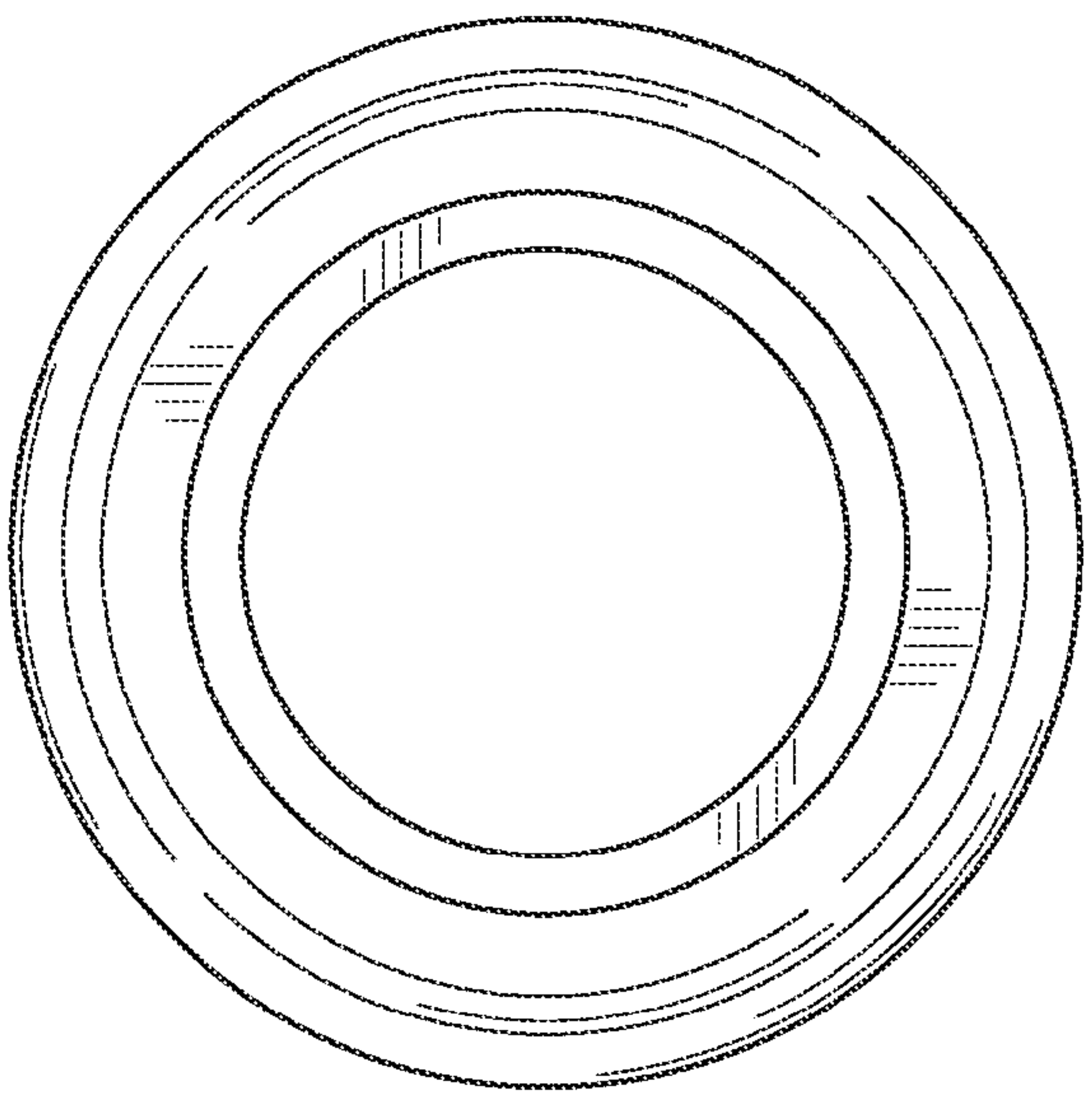
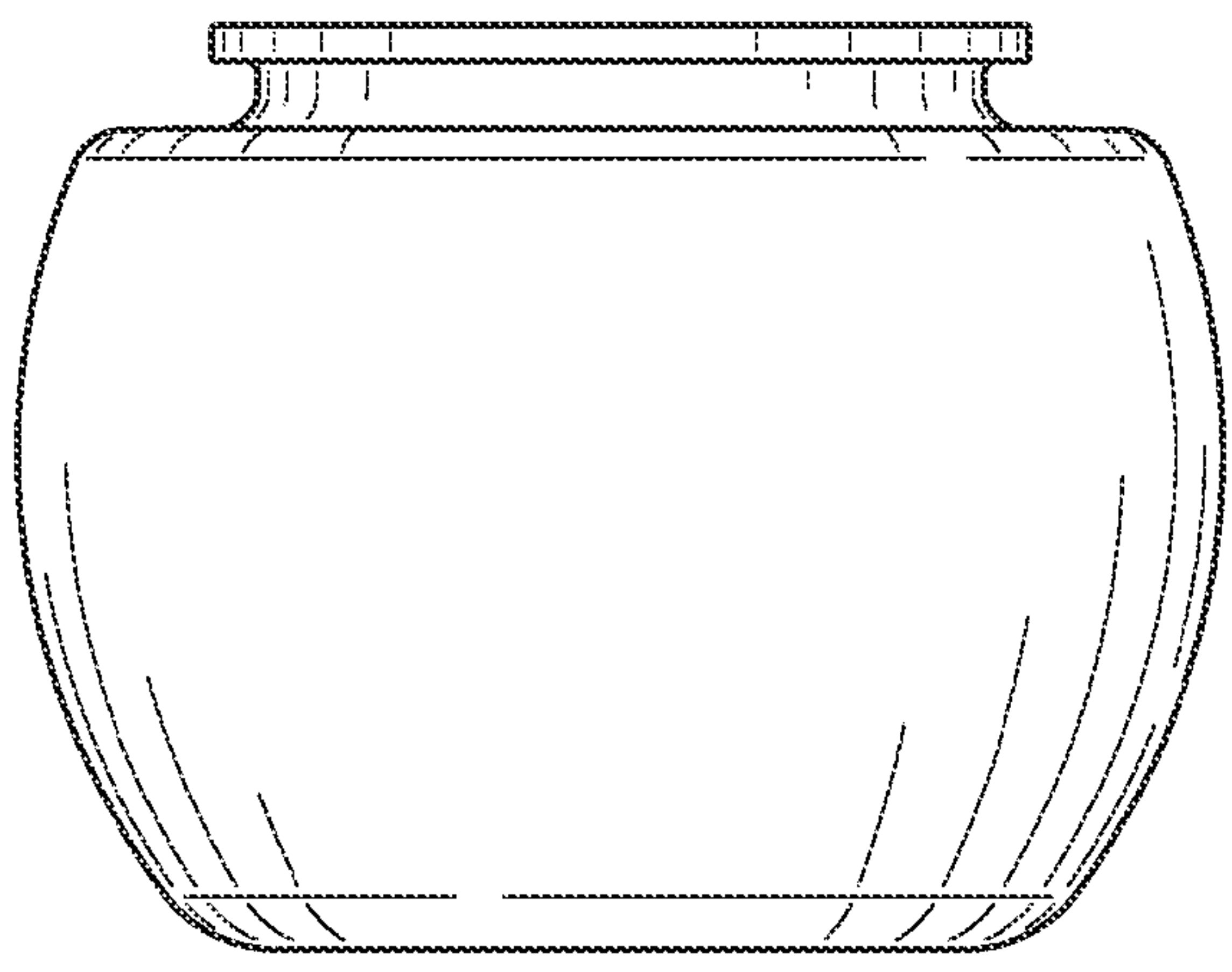
WO 2013/103589 7/2013
* cited by examiner
Primary Examiner — Ian Simmons
Assistant Examiner — Dana L Meyrow
(74) *Attorney, Agent, or Firm* — Banner & Witcoff, Ltd.

(57) **CLAIM**
The ornamental design for a pod, as shown and described.

DESCRIPTION

FIG. 1 is a top, front, right perspective view of a pod showing our new design;
FIG. 2 is a front view thereof;
FIG. 3 is a right side view thereof;
FIG. 4 is a rear view thereof;
FIG. 5 is a left side view thereof; and,
FIG. 6 is a top view thereof.

1 Claim, 2 Drawing Sheets



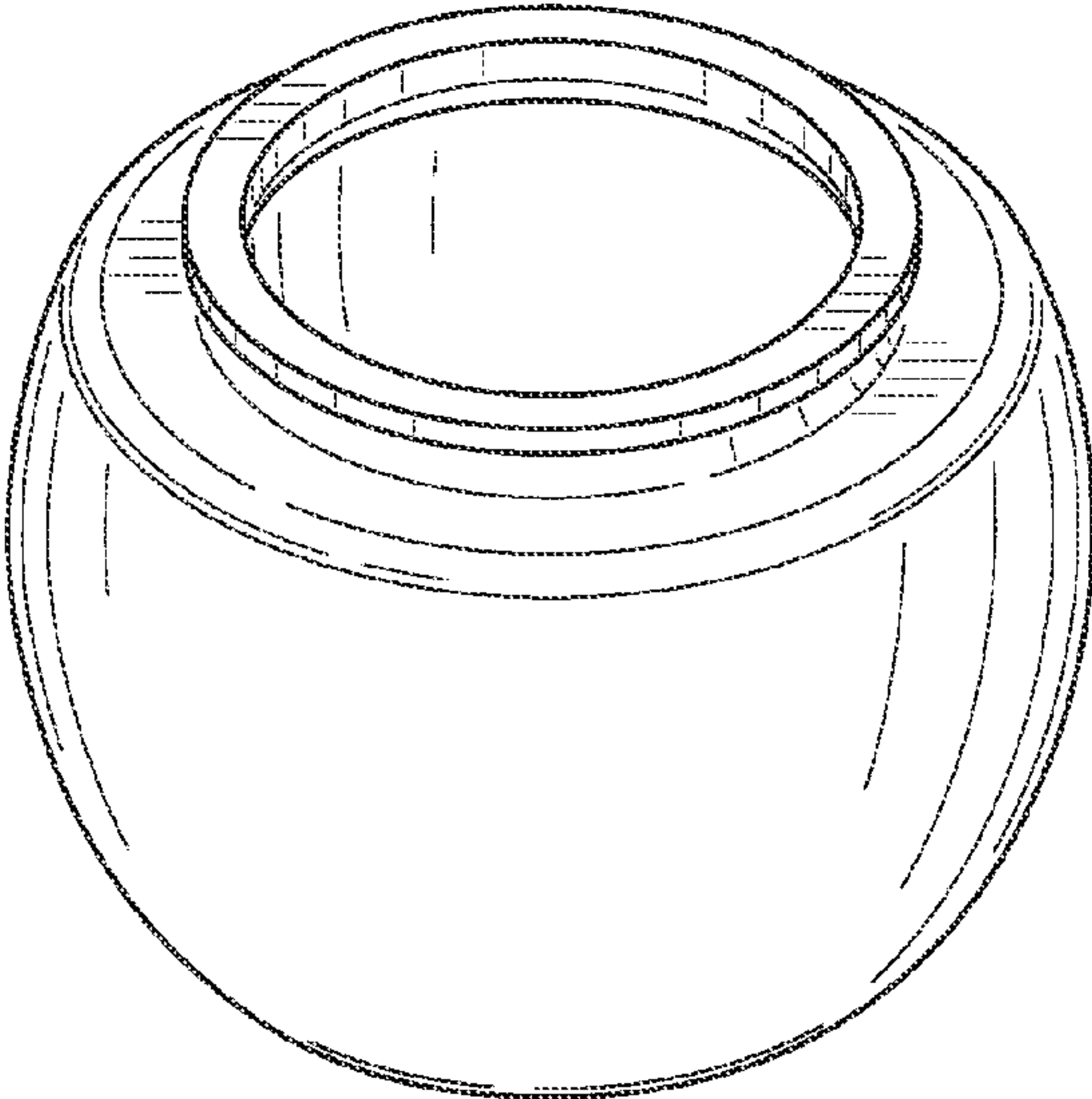


FIG. 1

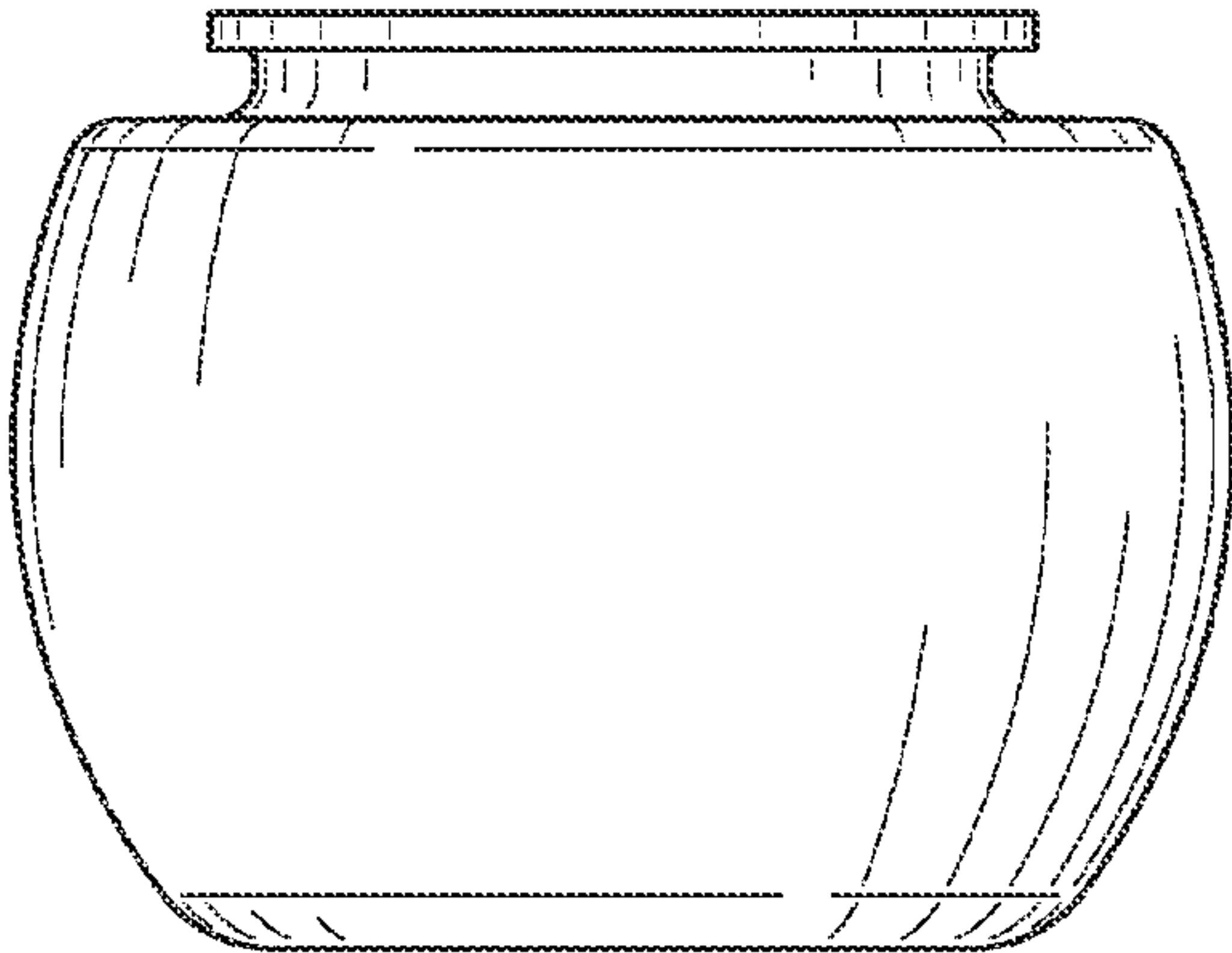


FIG. 2

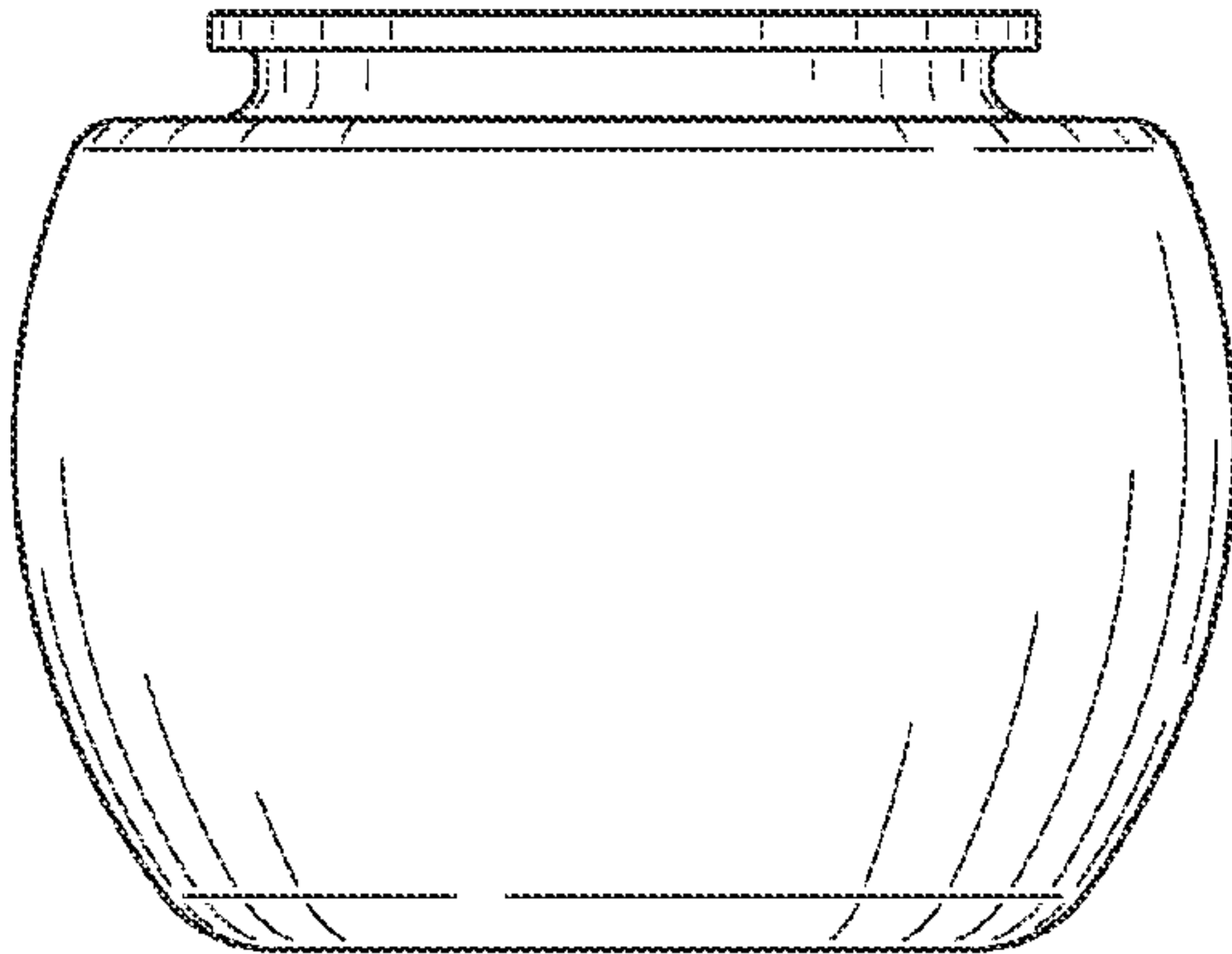


FIG. 3

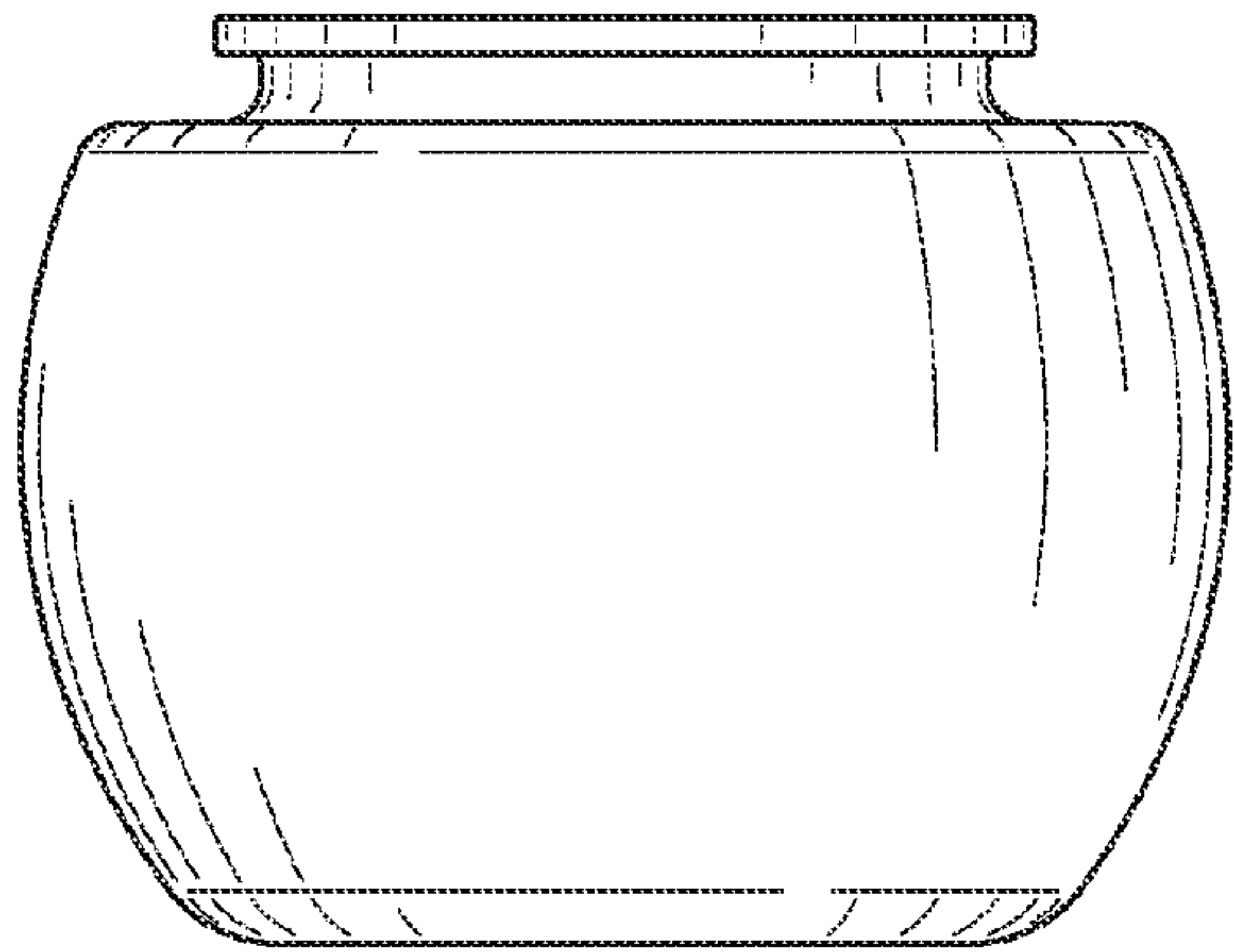


FIG. 4

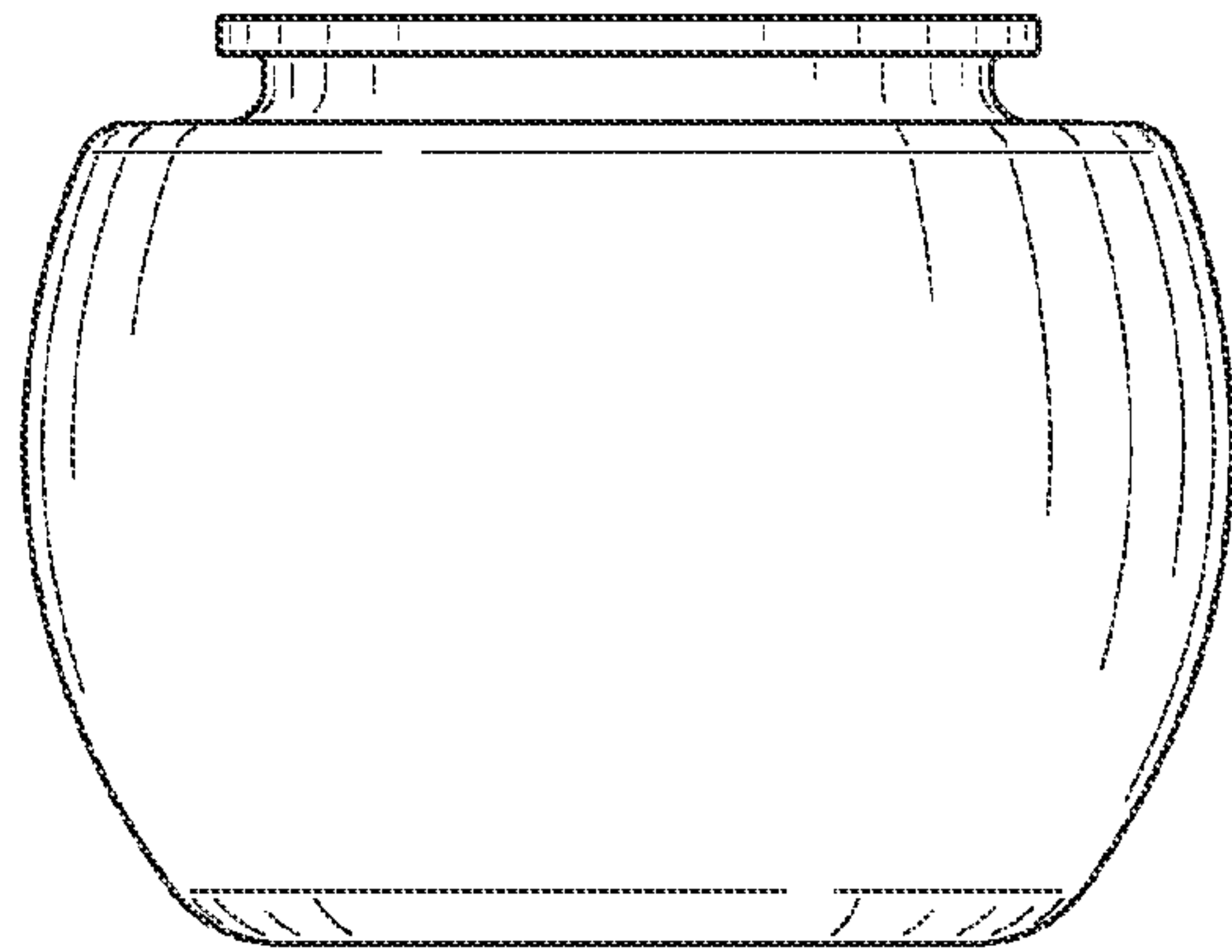


FIG. 5

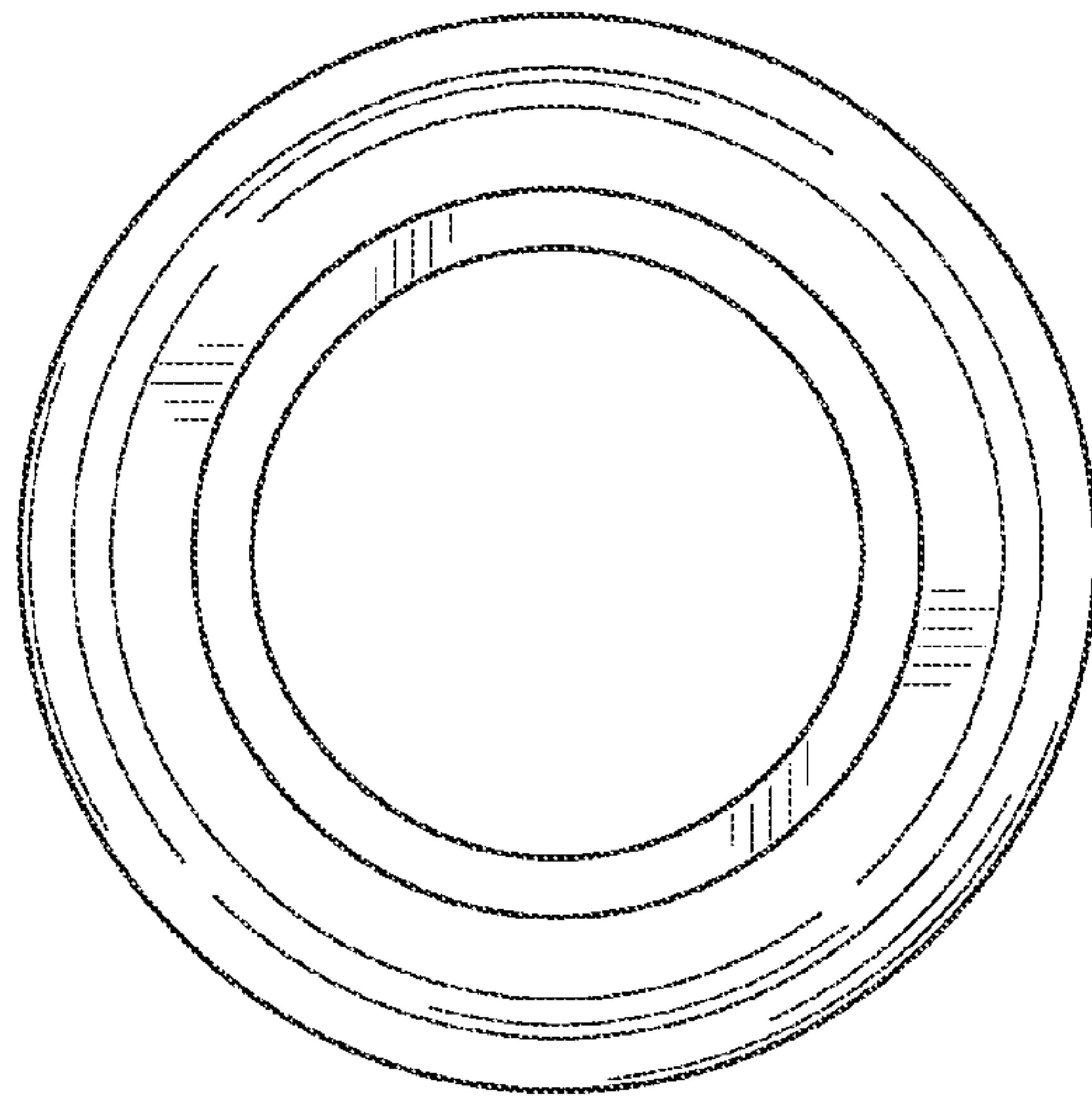


FIG. 6