



US00D701765S

(12) **United States Design Patent**  
**Fukumoto et al.**

(10) **Patent No.:** **US D701,765 S**

(45) **Date of Patent:** **\*\* Apr. 1, 2014**

(54) **POUR SPOUT**

(71) Applicant: **Kikkoman Corporation**, Noda (JP)

(72) Inventors: **Masashi Fukumoto**, Noda (JP); **Denmi Kuwagaki**, Noda (JP); **Satoshi Sakamoto**, Koto-ku (JP); **Keisuke Miyairi**, Koto-ku (JP)

(73) Assignee: **Kikkoman Corporation**, Chiba (JP)

(\*\*) Term: **14 Years**

(21) Appl. No.: **29/441,933**

(22) Filed: **Jan. 10, 2013**

(30) **Foreign Application Priority Data**

Jul. 18, 2012 (JP) ..... 2012-017080  
Jul. 18, 2012 (JP) ..... 2012-017081

(51) **LOC (10) Cl.** ..... **09-07**

(52) **U.S. Cl.**  
USPC ..... **D9/447**

(58) **Field of Classification Search**  
USPC ..... D9/453, 449, 447, 440, 436, 435, 434;  
D7/398, 397; 222/570, 569  
See application file for complete search history.

(56) **References Cited**

U.S. PATENT DOCUMENTS

3,926,348 A \* 12/1975 Lutzker ..... 222/189.07  
4,078,700 A \* 3/1978 Hidding ..... 222/109

4,637,530 A \* 1/1987 Jiang ..... 222/564  
D296,524 S \* 7/1988 Schneider ..... D9/439  
D487,227 S \* 3/2004 Haley ..... D9/439  
D678,767 S \* 3/2013 Haley ..... D9/440

\* cited by examiner

*Primary Examiner* — Robert M Spear  
(74) *Attorney, Agent, or Firm* — Sterne, Kessler, Goldstein & Fox P.L.L.C.

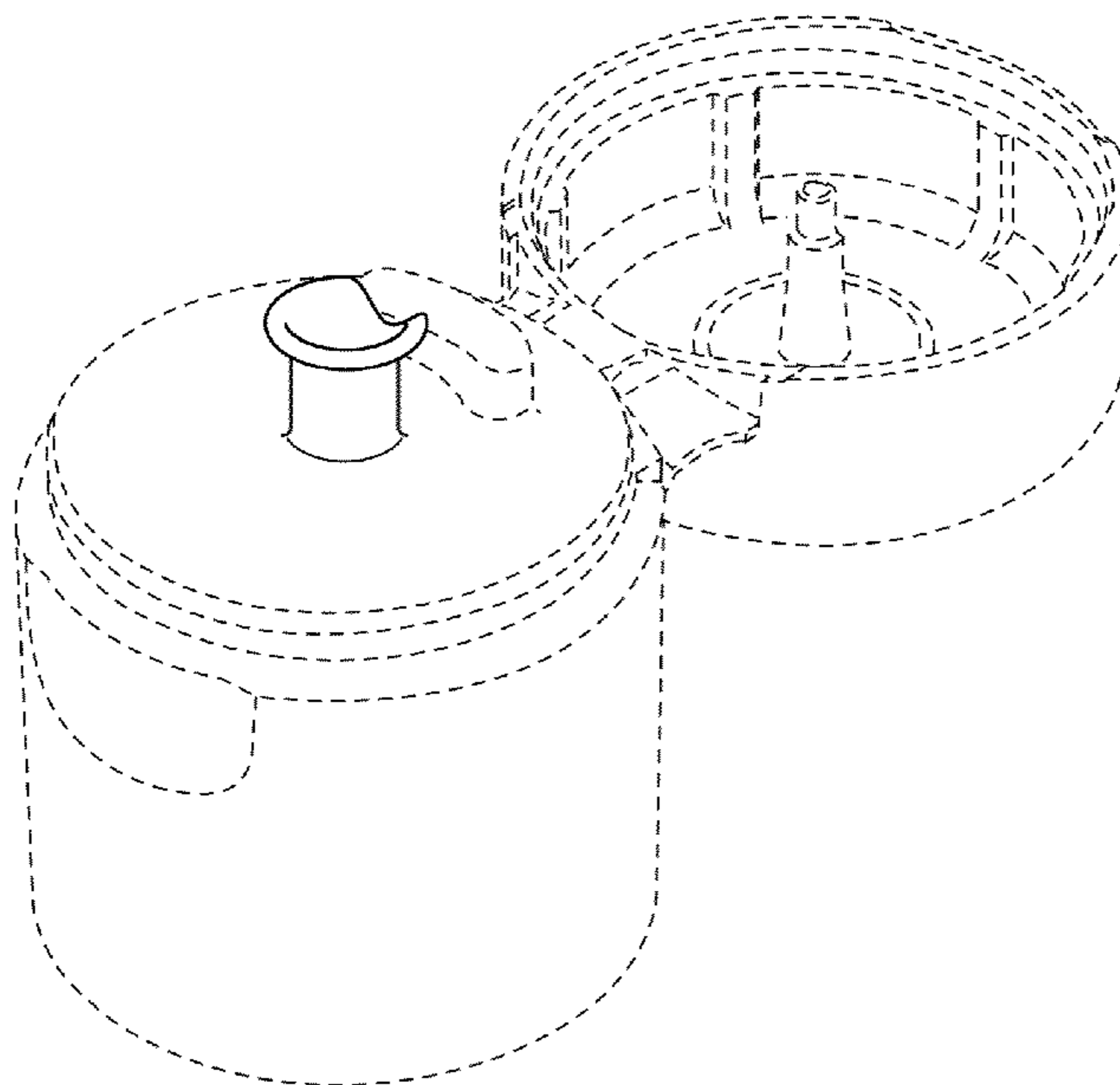
(57) **CLAIM**

The ornamental design for a pour spout, as shown and described.

**DESCRIPTION**

FIG. 1 is a top front perspective view of a pour spout showing our new design;  
FIG. 2 is a front view thereof;  
FIG. 3 is a rear view thereof;  
FIG. 4 is a right side view, the left side being a mirror image thereof;  
FIG. 5 is a top plan view thereof;  
FIG. 6 is a bottom view thereof;  
FIG. 7 is a cross-sectional view thereof, taken along the line 7-7' in FIG. 2;  
FIG. 8 is a reference view showing the pour spout of the present invention in an environment in which it may be used; and,  
FIG. 9 is another right side view thereof, showing the pour spout cap in a closed position.  
The broken lines in the Figures show portions of the pour spout and cap, which form no part of the claimed design.

**1 Claim, 5 Drawing Sheets**



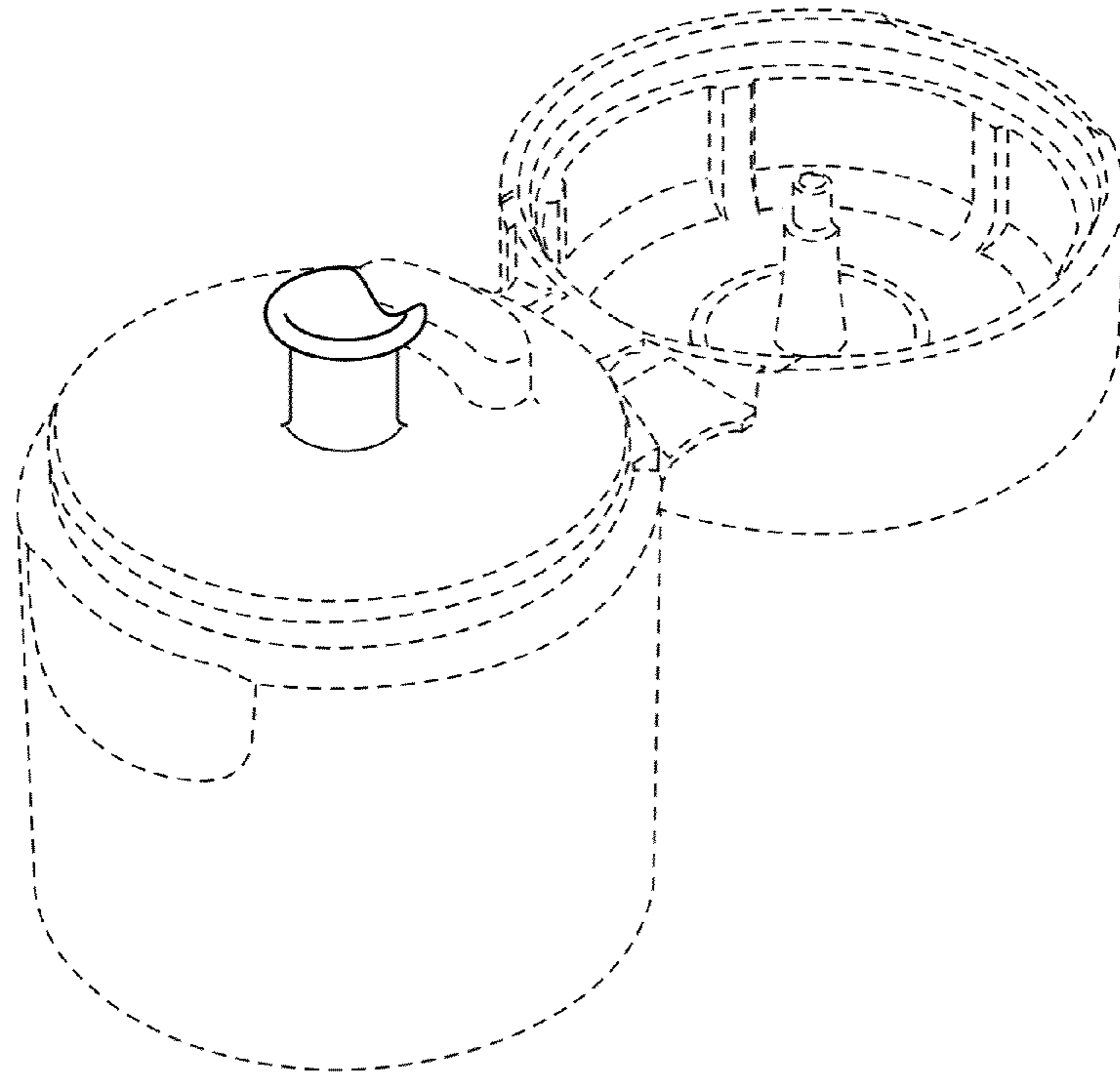


FIG. 1

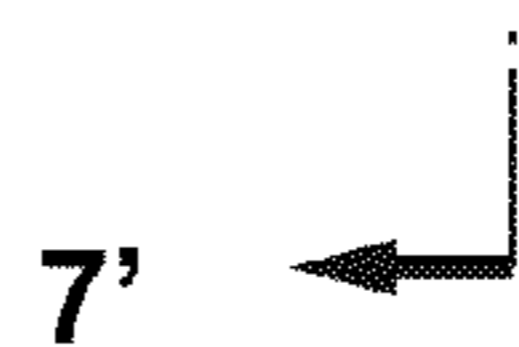
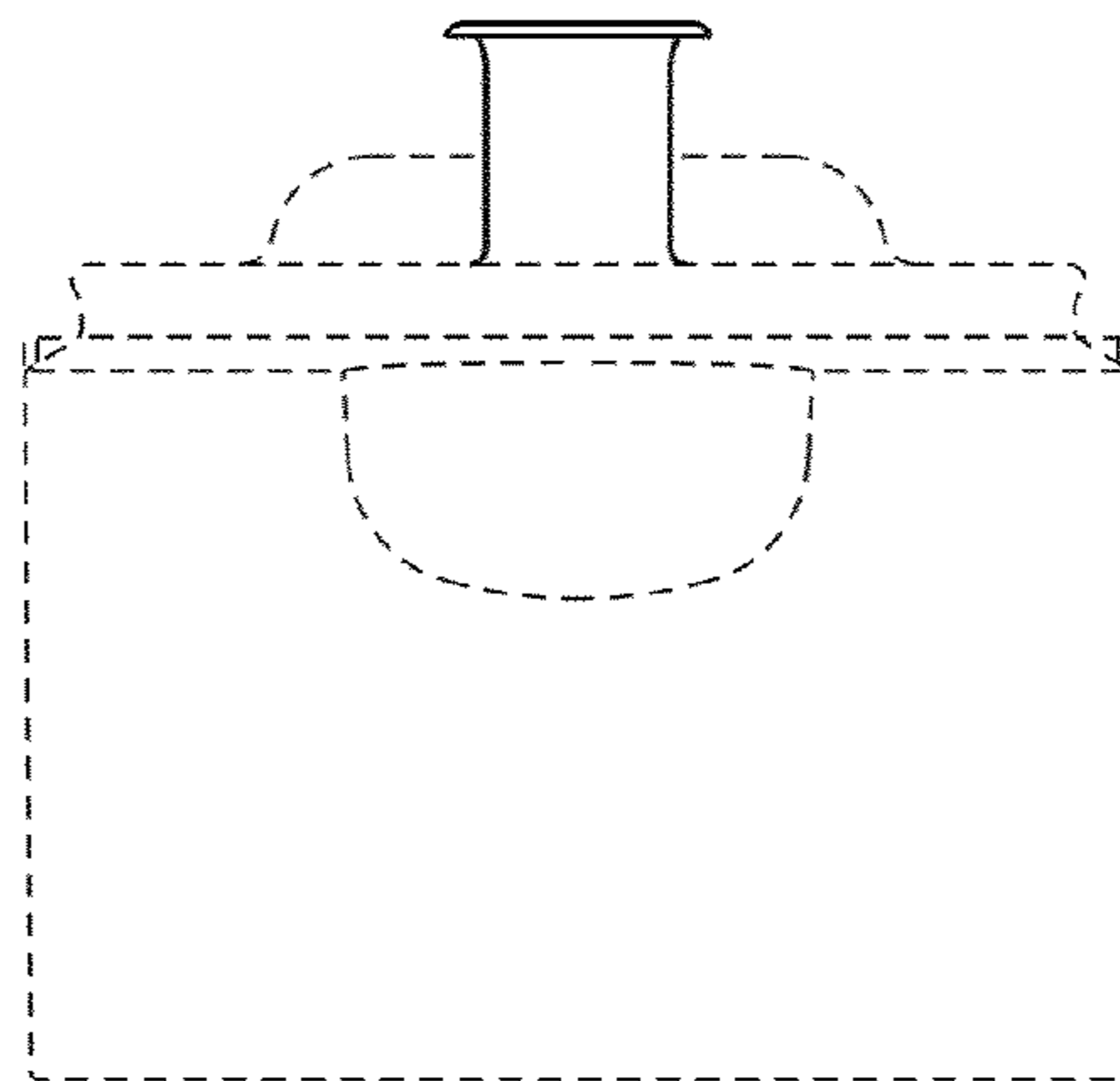
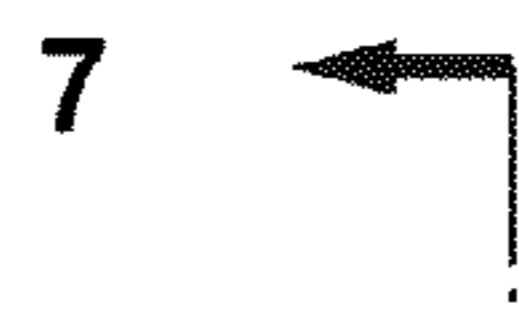


FIG. 2

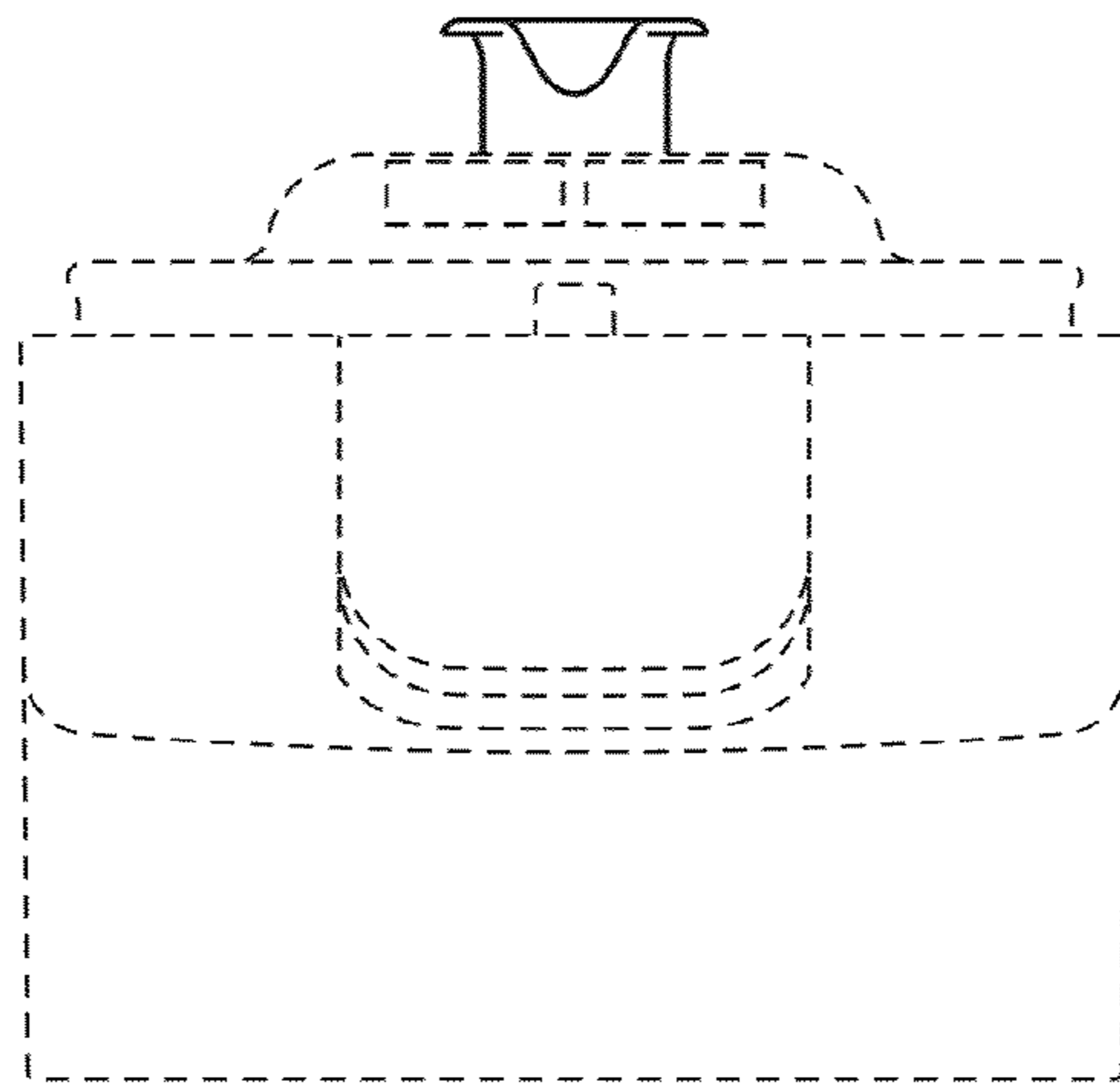


FIG. 3

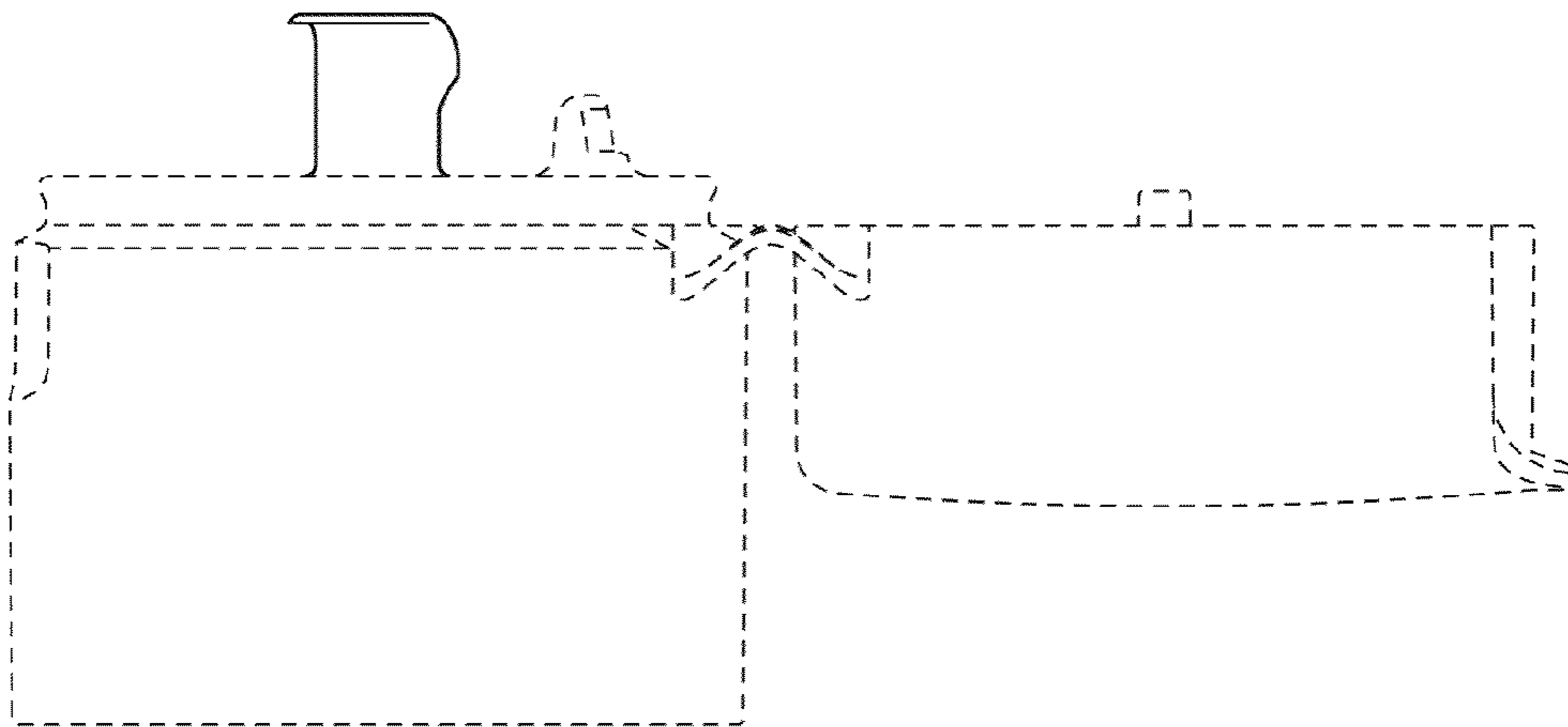


FIG. 4

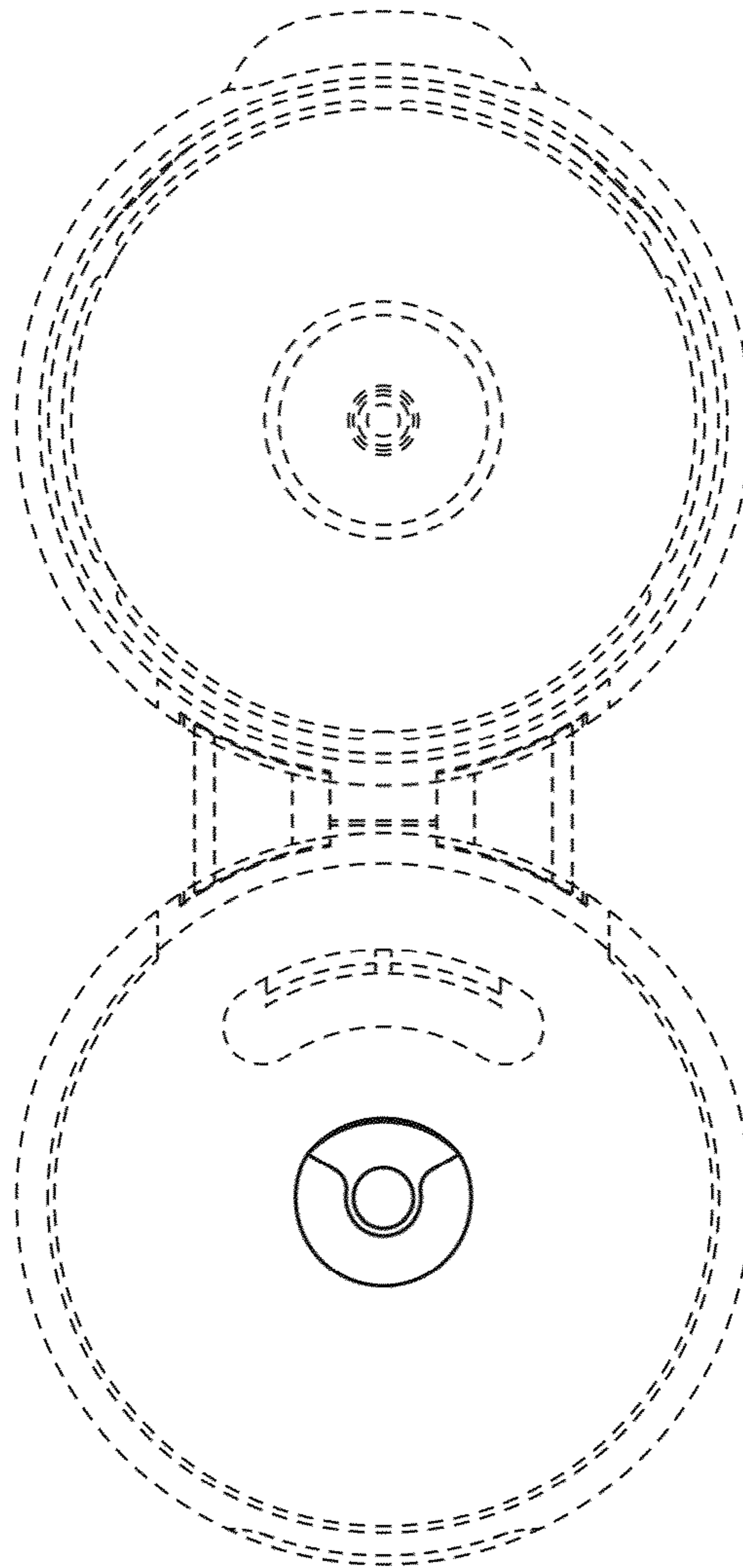


FIG. 5

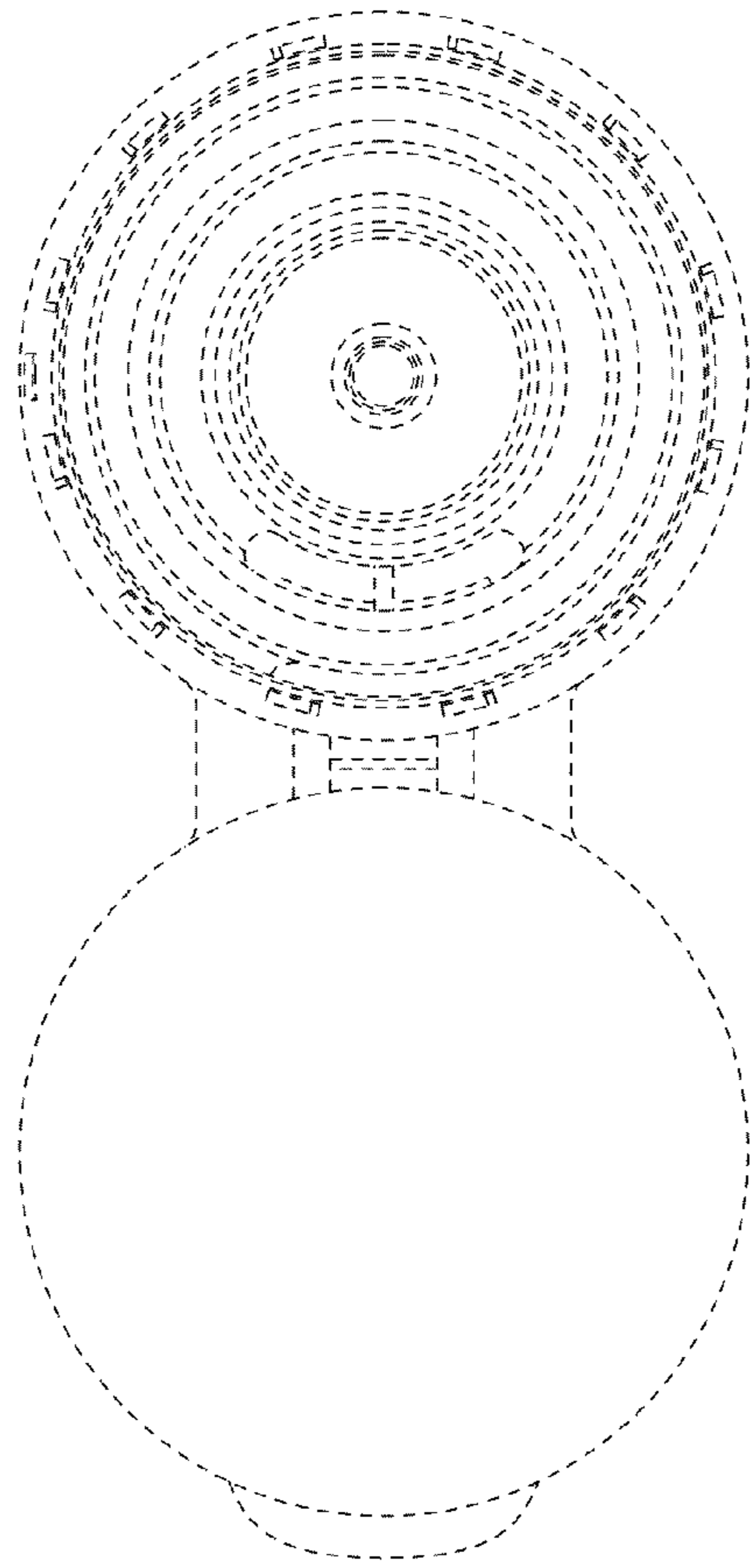


FIG. 6

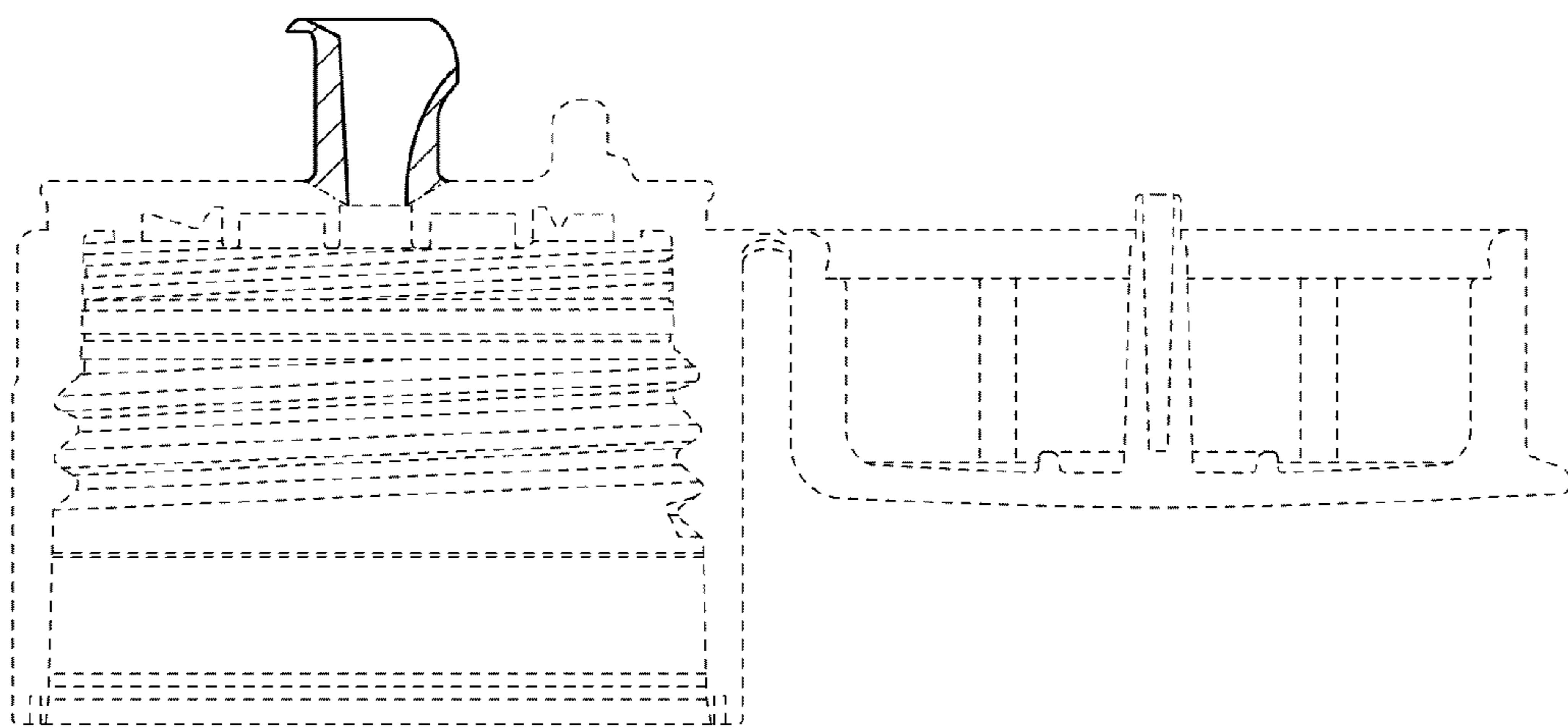


FIG. 7

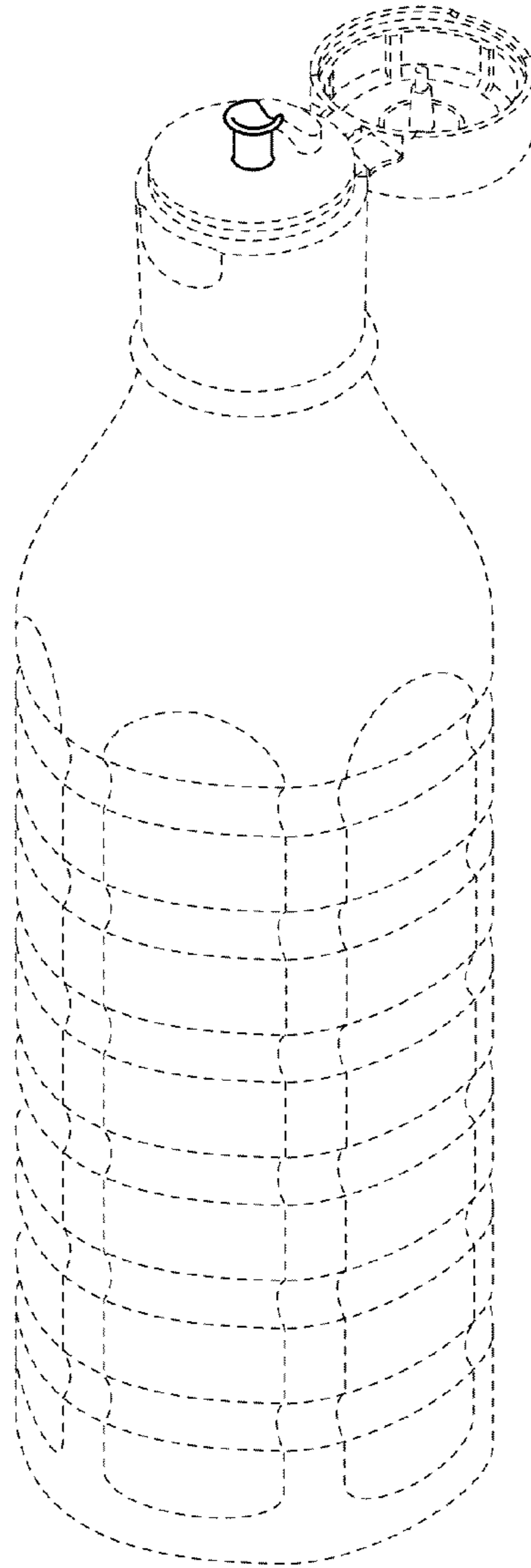


FIG. 8

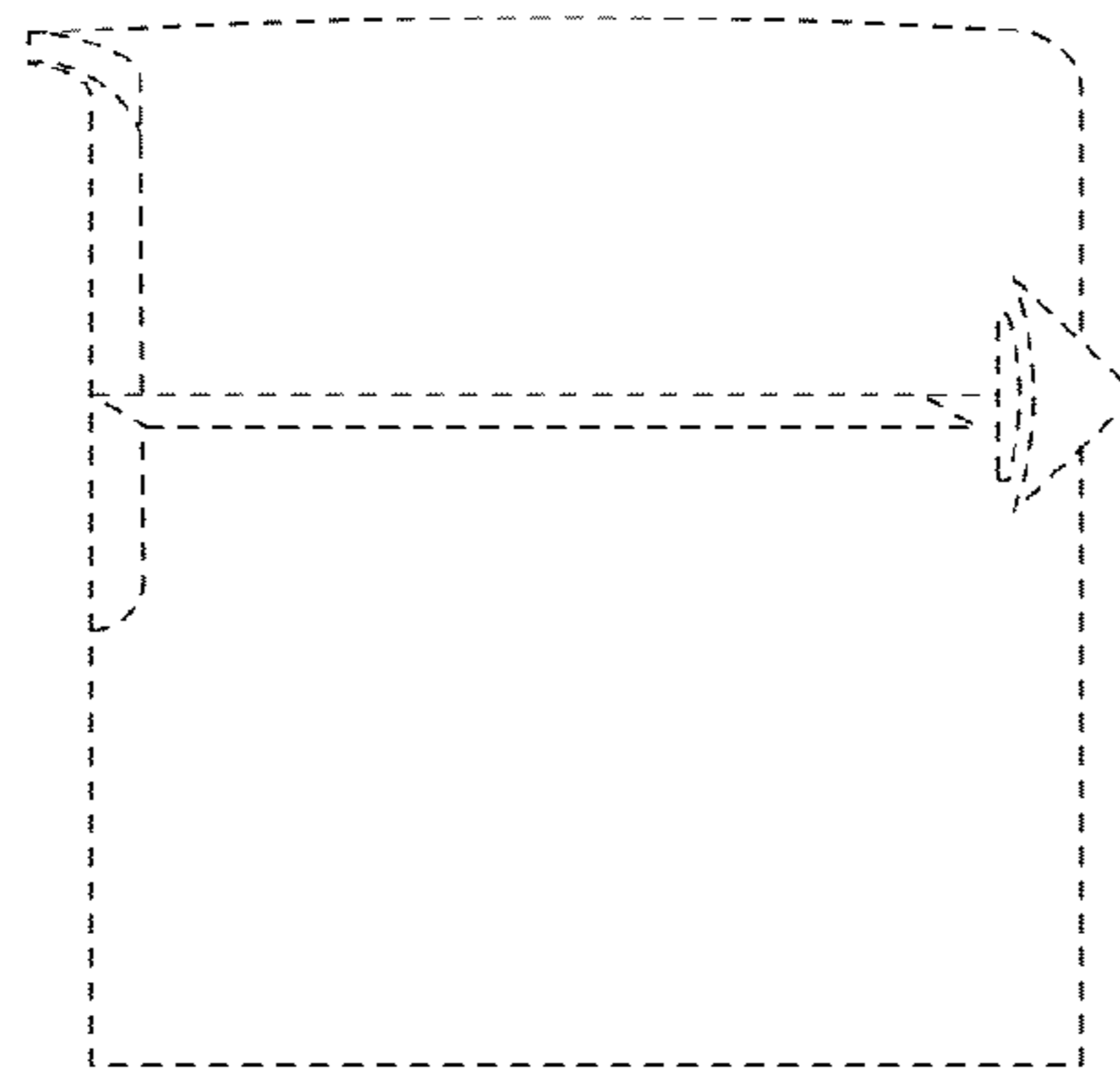


FIG. 9