

US00D701764S

(12) **United States Design Patent**
Brower et al.

(10) **Patent No.:** **US D701,764 S**

(45) **Date of Patent:** **** Apr. 1, 2014**

(54) **SPOUT ASSEMBLY**

(71) Applicant: **Capton, Inc.**, Irvine, CA (US)

(72) Inventors: **Charles Brower**, Irvine, CA (US);
Charles Hohman, Mission Viejo, CA (US)

(73) Assignee: **Capton, Inc.**, Irvine, CA (US)

(**) Term: **14 Years**

(21) Appl. No.: **29/453,154**

(22) Filed: **Apr. 25, 2013**

(51) **LOC (10) Cl.** **09-07**

(52) **U.S. Cl.**
USPC **D9/440; D9/447**

(58) **Field of Classification Search**
USPC D9/434, 440, 447, 707-710, 435,
D9/452-453; D7/387, 392, 392.1;
220/711, 714, 717
See application file for complete search history.

(56) **References Cited**

U.S. PATENT DOCUMENTS

3,966,099	A *	6/1976	Sanford et al.	222/567
D279,169	S *	6/1985	Banasik	D9/447
D468,205	S *	1/2003	Pierce	D9/440
D484,801	S *	1/2004	Pierce	D9/440

D533,776	S *	12/2006	Allen et al.	D9/440
D542,354	S *	5/2007	Morrison	D20/22
D587,571	S *	3/2009	Gonzales, Jr.	D9/440
D591,594	S *	5/2009	Jalet	D9/440
D605,037	S *	12/2009	Schrimpf	D9/447
D643,721	S *	8/2011	Blinn	D9/440
8,245,891	B2 *	8/2012	Eriksen	222/567
D688,127	S *	8/2013	Agassi et al.	D9/440
2008/0073383	A1 *	3/2008	McDonald	222/567

* cited by examiner

Primary Examiner — Eric Goodman

Assistant Examiner — Brett Miller

(74) *Attorney, Agent, or Firm* — Fish & Associates, PC

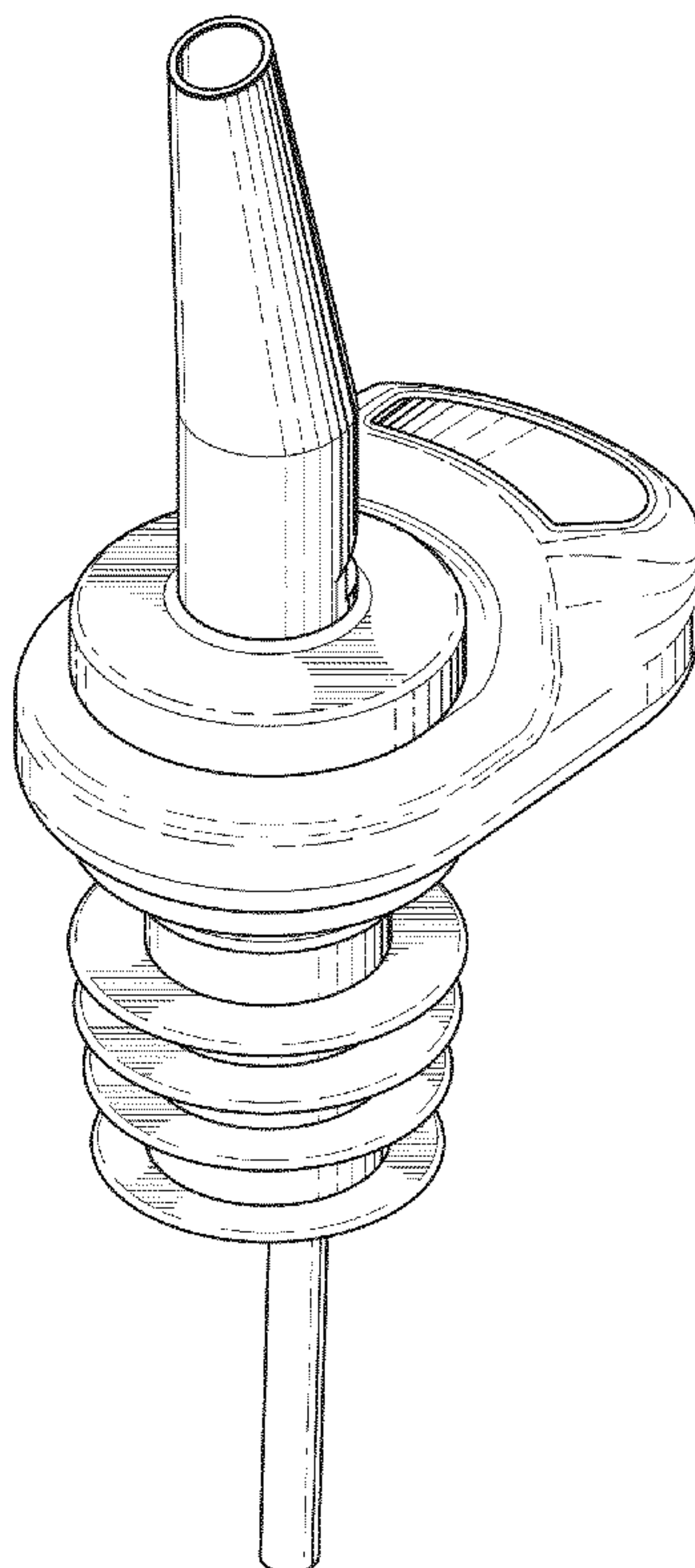
(57) **CLAIM**

The ornamental design of a spout assembly, as shown and described.

DESCRIPTION

FIG. 1 is a top, front, right side perspective view of a spout assembly and the like, showing my new design; FIG. 2 is a top rear, left side perspective view thereof; FIG. 3 is a front elevation view thereof; FIG. 4 is a right side elevation view thereof; FIG. 5 is a rear elevation view thereof; FIG. 6 is a top plan view thereof; and, FIG. 7 is a bottom plan view thereof. The corresponding view for the left side elevation view is a minor image of FIG. 4.

1 Claim, 3 Drawing Sheets



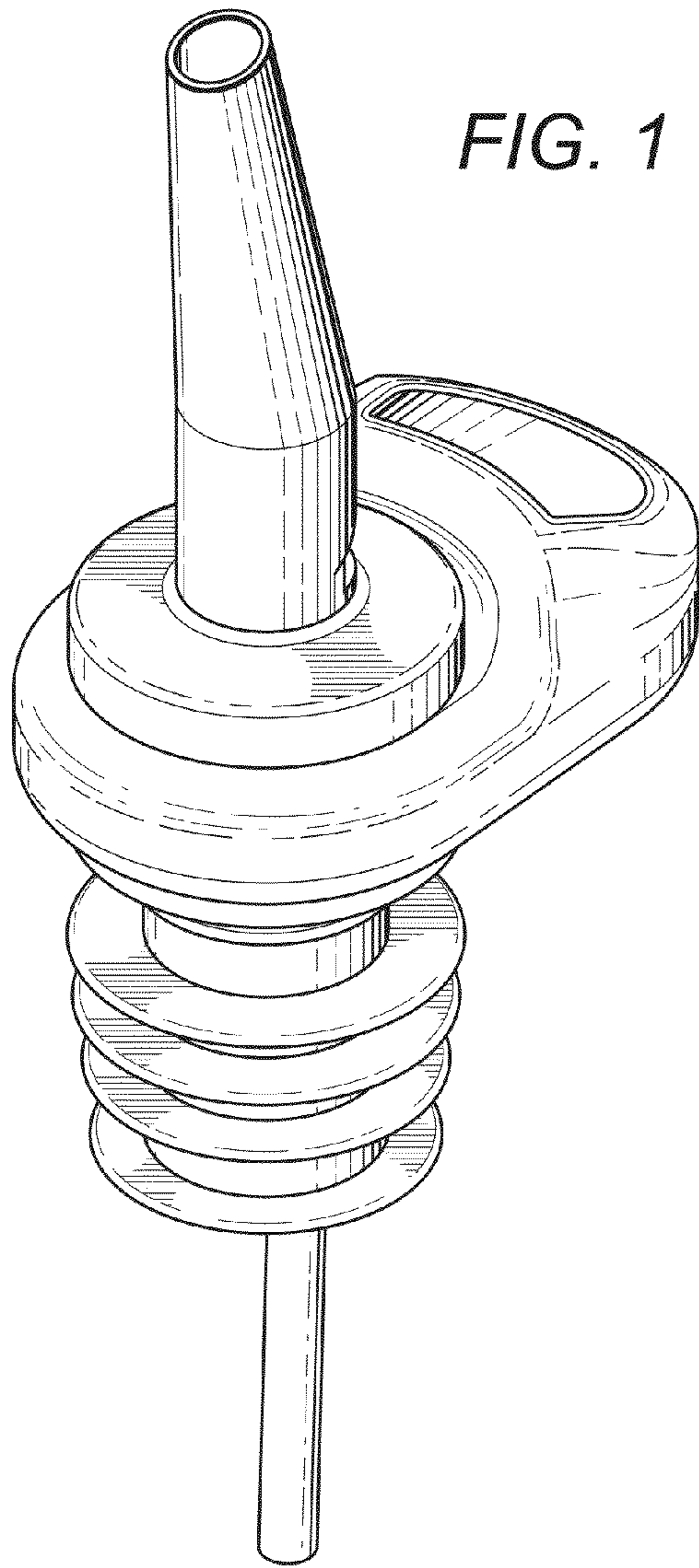


FIG. 1

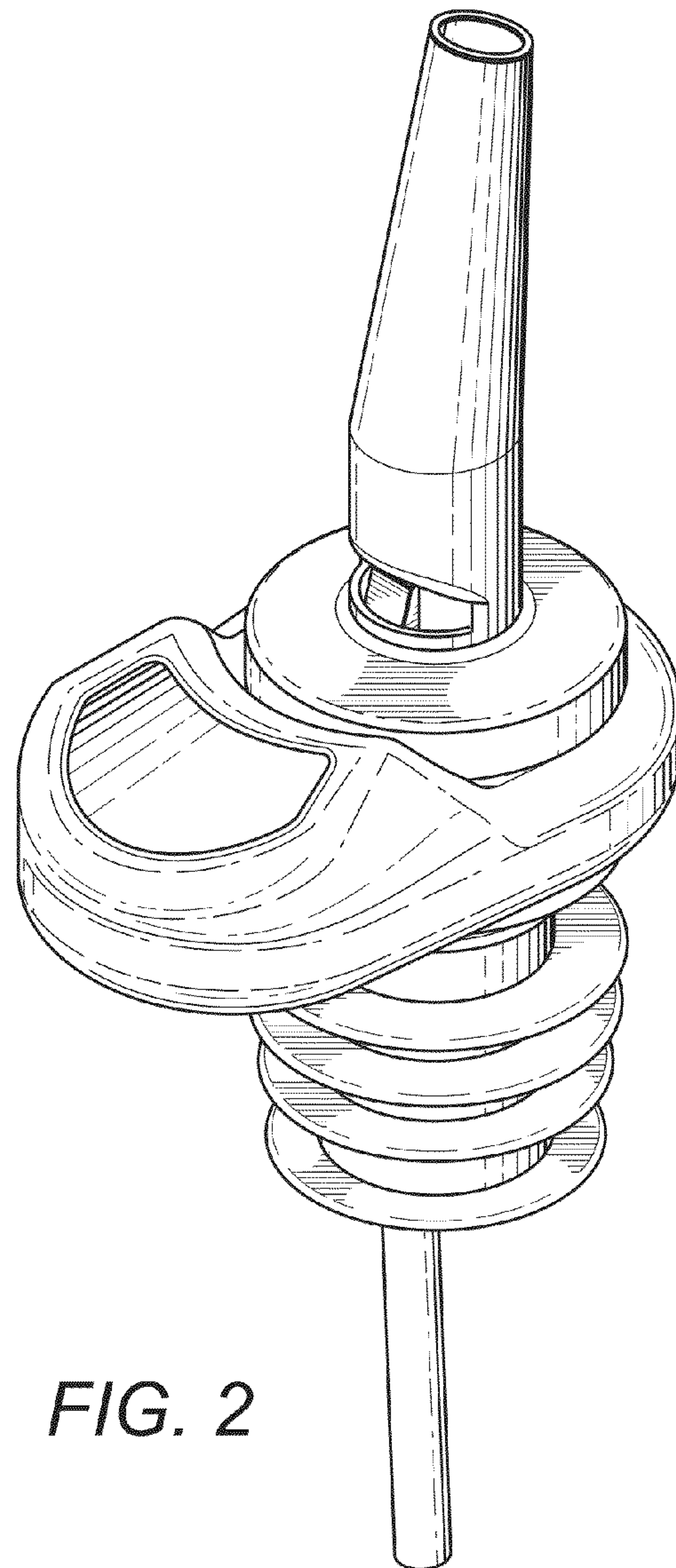


FIG. 2

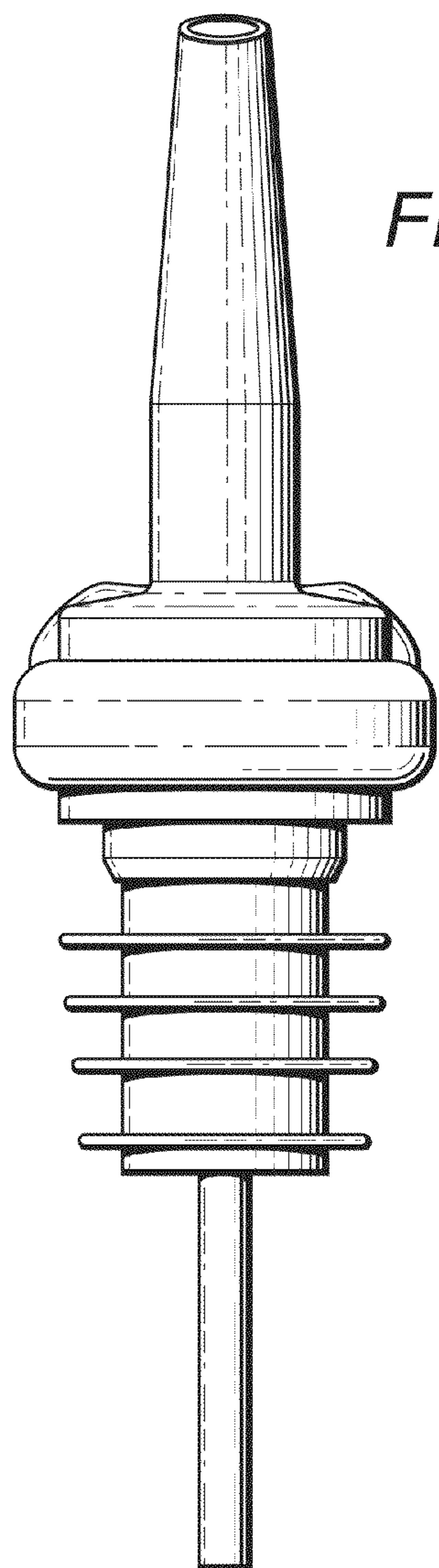


FIG. 3

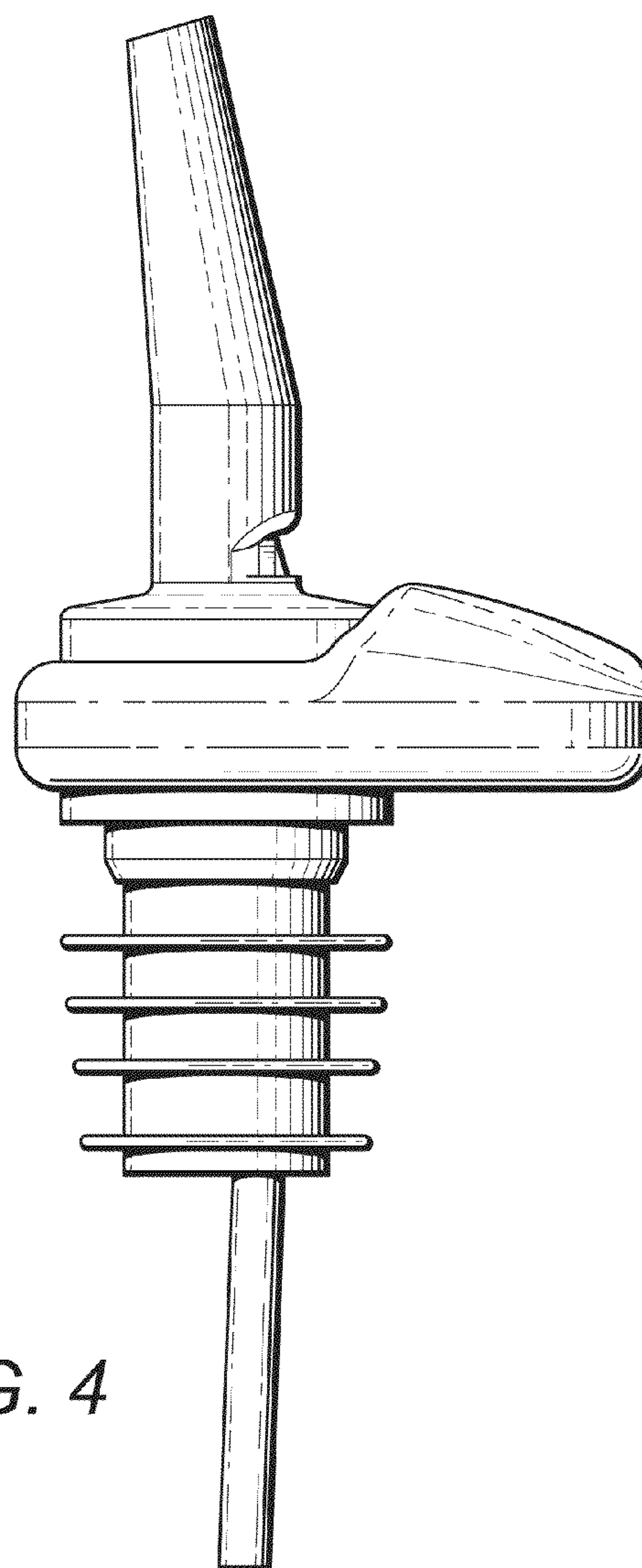


FIG. 4

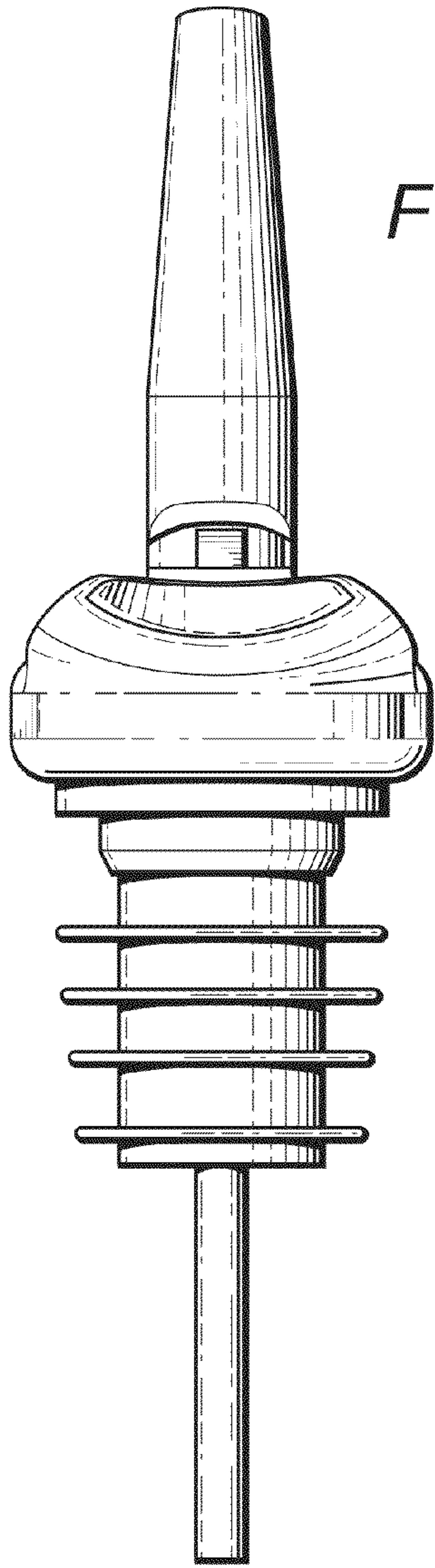


FIG. 5

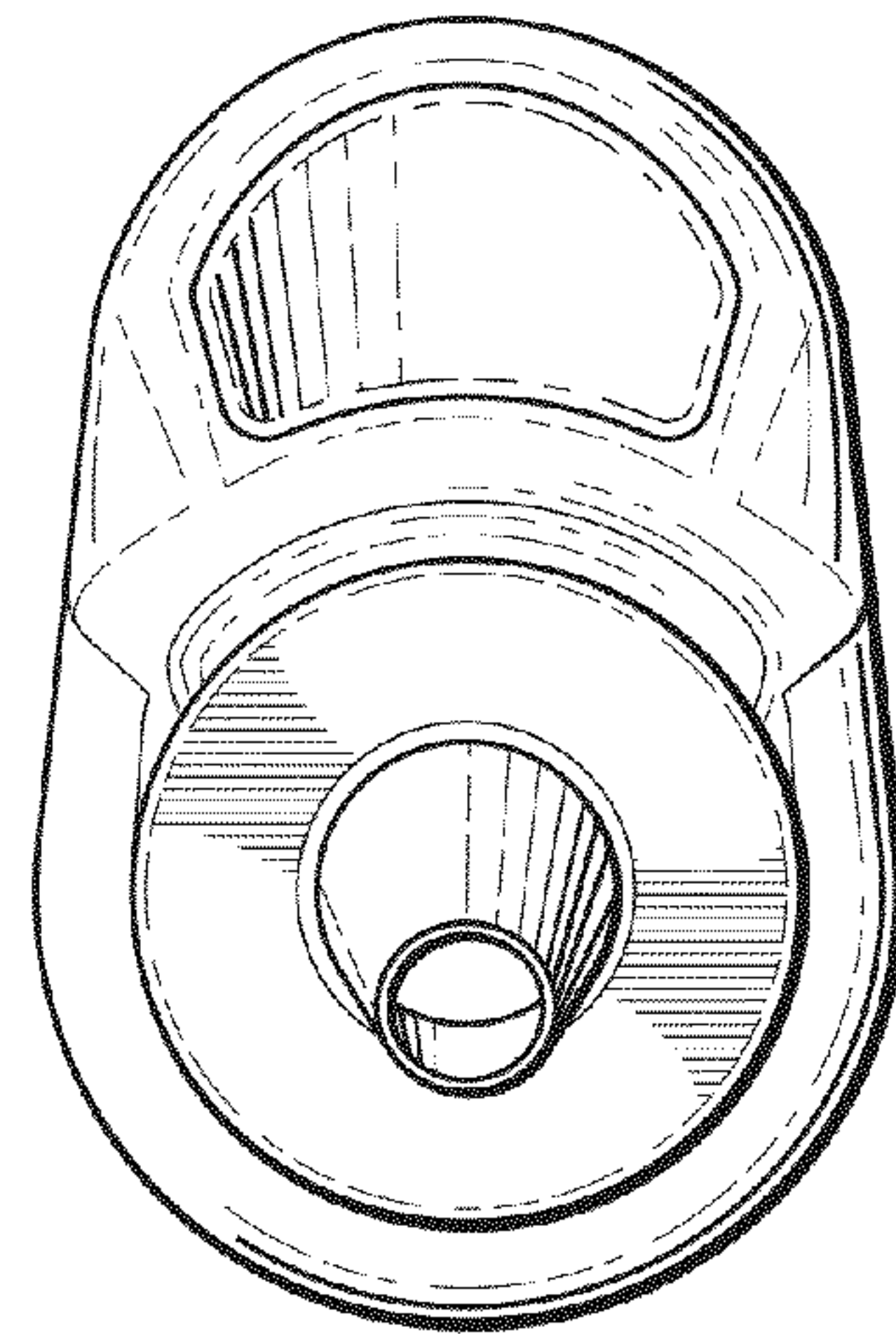


FIG. 6

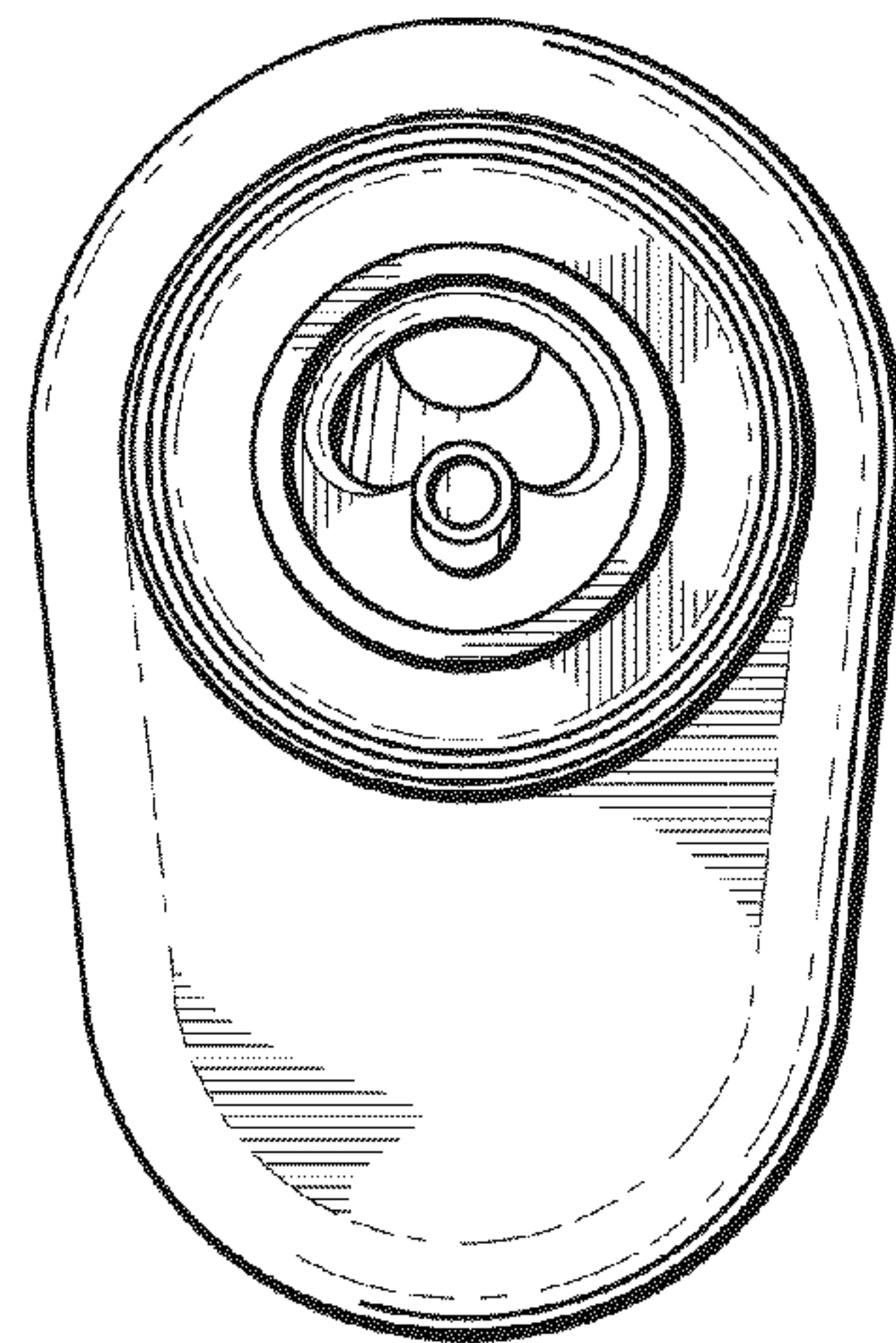


FIG. 7