



US00D701762S

(12) **United States Design Patent**
Gortot et al.

(10) **Patent No.:** **US D701,762 S**

(45) **Date of Patent:** **** Apr. 1, 2014**

(54) **MEDICINE DOSING INDICATOR**

(71) Applicants: **Alexandrea Christine Gortot**, Valrico, FL (US); **LaQuita Michelle Barnhart**, St Johns, FL (US)

(72) Inventors: **Alexandrea Christine Gortot**, Valrico, FL (US); **LaQuita Michelle Barnhart**, St Johns, FL (US)

(**) Term: **14 Years**

(21) Appl. No.: **29/456,664**

(22) Filed: **Jun. 2, 2013**

(51) **LOC (10) Cl.** **09-07**

(52) **U.S. Cl.**
USPC **D9/434**

(58) **Field of Classification Search**
USPC D9/434-436, 440, 454, 455; D7/398;
D20/22, 28, 40; 40/310; 116/308, 309
See application file for complete search history.

(56) **References Cited**

U.S. PATENT DOCUMENTS

1,353,531	A *	9/1920	Heard	40/310
1,659,325	A *	2/1928	Merrell	40/310
2,340,719	A *	2/1944	Walter	40/310
D365,024	S *	12/1995	DuBow	D9/434
D421,849	S *	3/2000	Willardson	D20/28
D426,267	S *	6/2000	Bush	D20/28
6,321,473	B1 *	11/2001	Klabunde	40/310
D505,588	S *	5/2005	Wax	D7/396.2
7,621,231	B2 *	11/2009	McNeely	116/308

D606,861	S *	12/2009	Pavlinac	D9/434
D631,515	S *	1/2011	Wilkinson et al.	D20/28
D640,327	S *	6/2011	Gorzo	D20/22
D653,107	S *	1/2012	Margan	D9/434

* cited by examiner

Primary Examiner — Susan Bennett Hattan

Assistant Examiner — Brett Miller

(74) *Attorney, Agent, or Firm* — Steven N Fox, Esq.

(57) **CLAIM**

The ornamental design for a medicine dosing indicator, as shown and described.

DESCRIPTION

FIG. 1 is a perspective view of a medicine dosing indicator according to the present invention shown mounted to a neck of a container;

FIG. 2 is a top view of the medicine dosing indicator according to the present invention;

FIG. 3 is a front thereof;

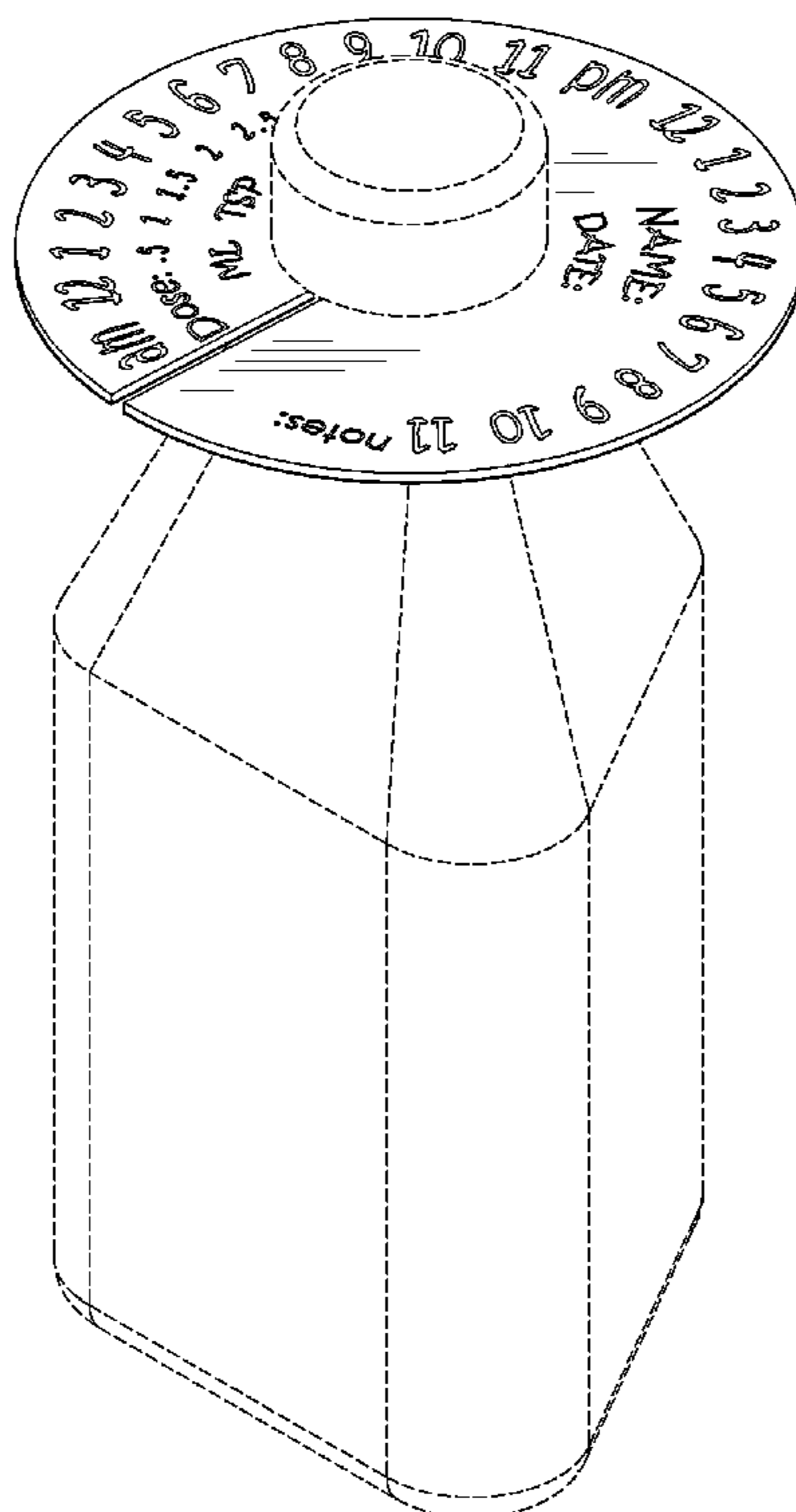
FIG. 4 is a rear view thereof; and,

FIG. 5 is a left side view thereof; the right side view being a mirror image thereof.

The bottom view of the medicine dosing indicator forms no part of the claimed design.

The broken lines in the drawings illustrate environmental structure and form no part of the claimed design.

1 Claim, 2 Drawing Sheets



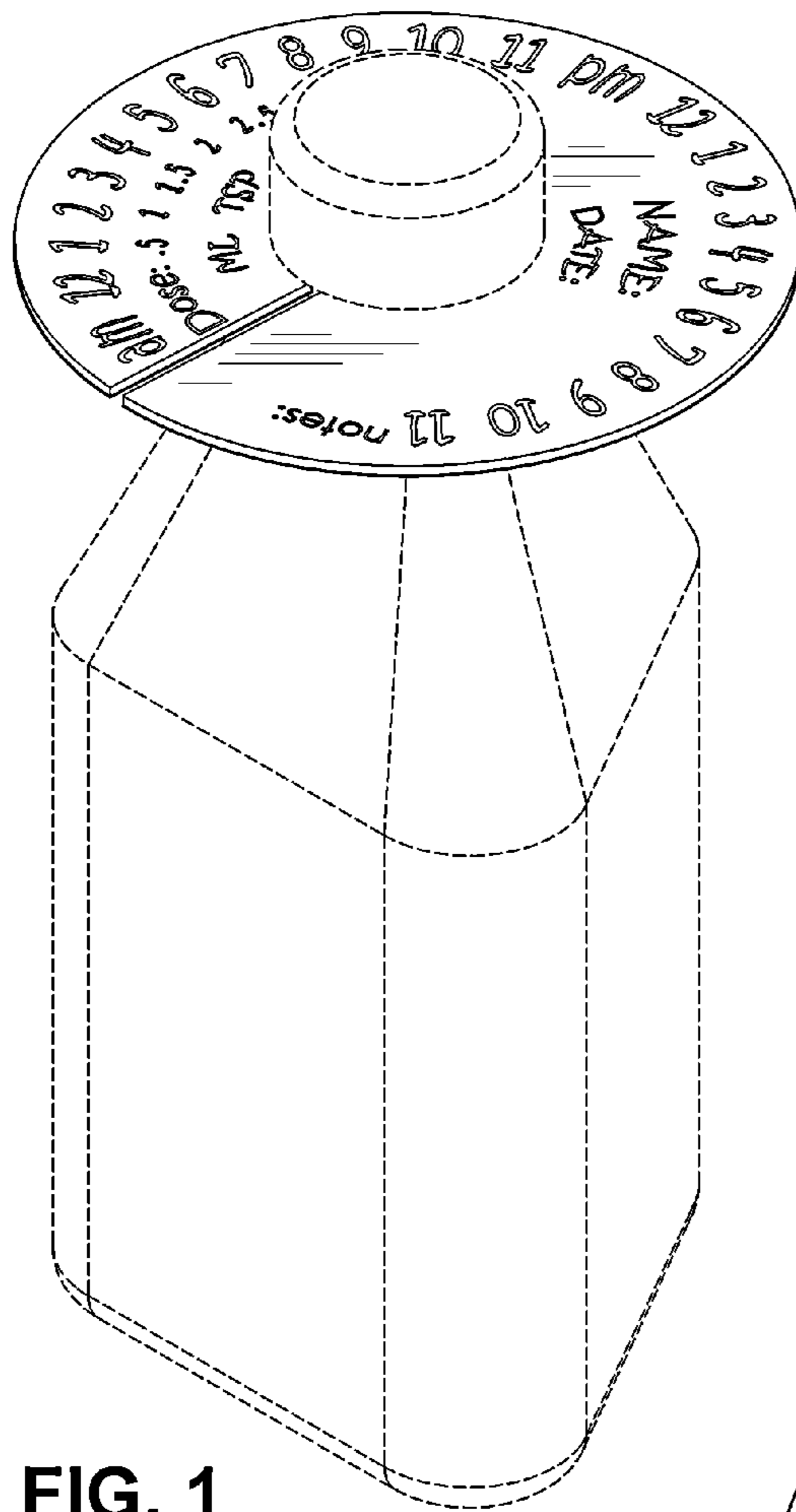


FIG. 1

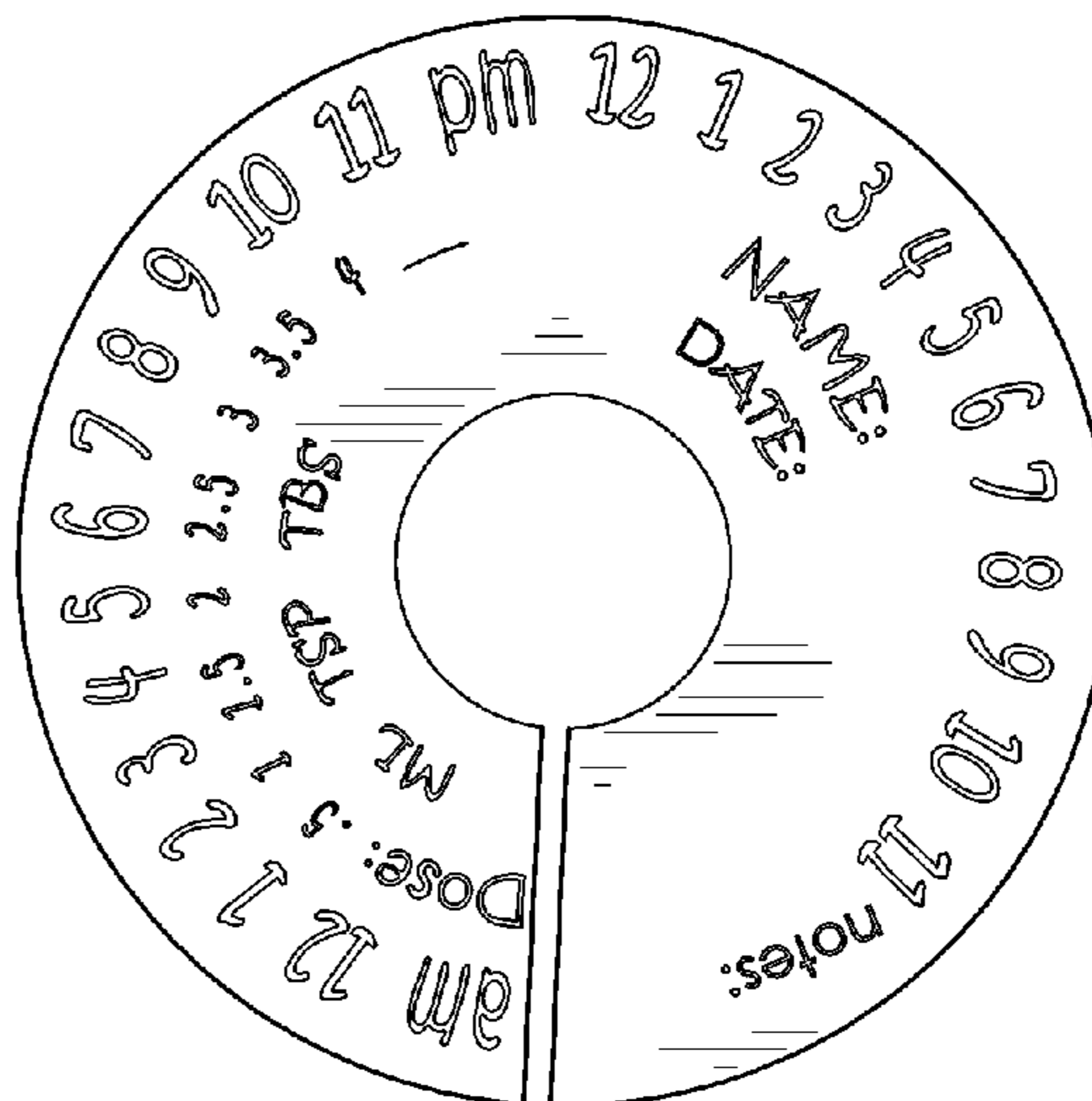


FIG. 2

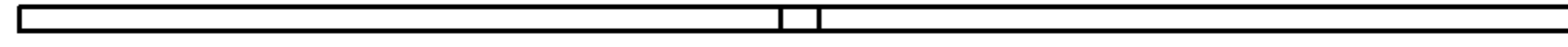


FIG. 3

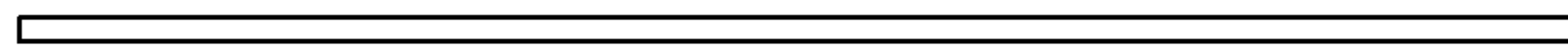


FIG. 4

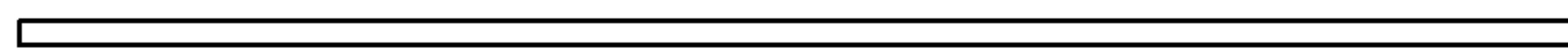


FIG. 5