



US00D701757S

(12) **United States Design Patent**
Andre et al.

(10) **Patent No.:** **US D701,757 S**

(45) **Date of Patent:** **** Apr. 1, 2014**

(54) **PACKAGING**

(71) Applicant: **Apple Inc.**, Cupertino, CA (US)

(72) Inventors: **Bartley K. Andre**, Menlo Park, CA (US); **Daniel J. Coster**, San Francisco, CA (US); **Daniele De Iuliis**, San Francisco, CA (US); **Richard P. Howarth**, San Francisco, CA (US); **Jonathan P. Ive**, San Francisco, CA (US); **Steve Jobs**, Palo Alto, CA (US); **Duncan Robert Kerr**, San Francisco, CA (US); **Shin Nishibori**, Portola Valley, CA (US); **Matthew Dean Rohrbach**, San Francisco, CA (US); **Peter Russell-Clarke**, San Francisco, CA (US); **Douglas B. Satzger**, Menlo Park, CA (US); **Calvin Q. Seid**, Palo Alto, CA (US); **Christopher J. Stringer**, Woodside, CA (US); **Eugene Antony Whang**, San Francisco, CA (US); **Rico Zörkendörfer**, San Francisco, CA (US)

(73) Assignee: **Apple Inc.**, Cupertino, CA (US)

(**) Term: **14 Years**

(21) Appl. No.: **29/446,118**

(22) Filed: **Feb. 20, 2013**

Related U.S. Application Data

(60) Continuation of application No. 29/406,057, filed on Nov. 9, 2011, now Pat. No. Des. 677,563, which is a continuation of application No. 29/384,961, filed on Feb. 7, 2011, now Pat. No. Des. 649,450, which is a continuation of application No. 29/363,450, filed on Jun. 9, 2010, now Pat. No. Des. 633,388, which is a continuation of application No. 29/340,508, filed on Jul. 20, 2009, now Pat. No. Des. 620,795, which is a division of application No. 29/281,505, filed on Jun. 25, 2007, now Pat. No. Des. 596,485.

(51) **LOC (10) Cl.** **09-03**

(52) **U.S. Cl.**

USPC **D9/432**

(58) **Field of Classification Search**

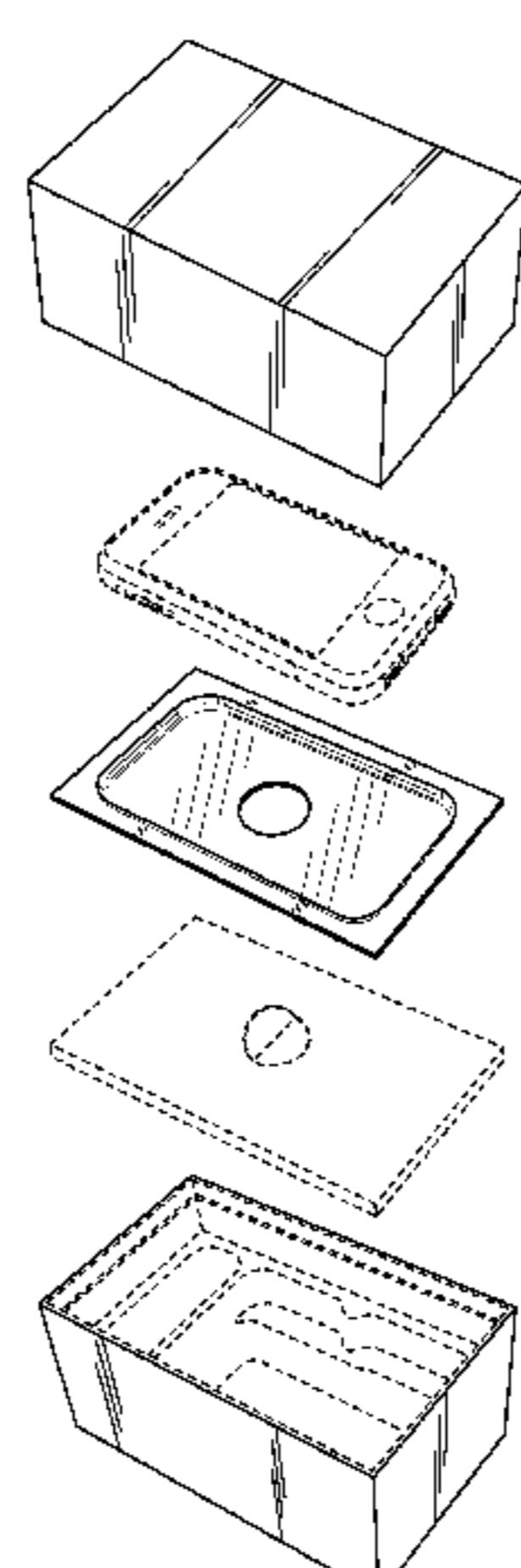
USPC D9/414, 416, 418, 420-424, 430-434, D9/455-456; D3/272, 273, 294-296, 302; 206/267, 269, 270, 273, 299, 737, 740, 206/822; 229/100, 101, 101.3, 106, 229/108-122; D7/601-603

See application file for complete search history.

(56) **References Cited**

U.S. PATENT DOCUMENTS

| | | |
|-------------|---------|---------------------|
| 1,315,593 A | 9/1919 | Binder |
| 1,518,219 A | 12/1924 | Peter |
| 1,650,039 A | 11/1927 | Price |
| D111,649 S | 10/1938 | Di Domenico |
| D114,891 S | 5/1939 | Fogel |
| 2,316,384 A | 4/1943 | Abramson |
| 2,606,708 A | 8/1952 | Irvan |
| 2,722,719 A | 11/1955 | Altstadter |
| 3,463,309 A | 8/1969 | Szostek |
| 3,487,921 A | 1/1970 | Barth et al. |
| 3,850,333 A | 11/1974 | Reichert |
| D246,349 S | 11/1977 | Klupt |
| D246,439 S | 11/1977 | Lynn et al. |
| 4,085,845 A | 4/1978 | Perfect |
| D248,621 S | 7/1978 | Hay et al. |
| 4,106,597 A | 8/1978 | Shook et al. |
| D257,585 S | 12/1980 | Neuwirth |
| 4,293,074 A | 10/1981 | Dunsky |
| D268,646 S | 4/1983 | Hudson, Jr. |
| D280,290 S | 8/1985 | Bakus |
| 4,542,822 A | 9/1985 | Kennedy, Jr. et al. |
| 4,606,459 A | 8/1986 | Luray |
| 4,606,460 A | 8/1986 | Luray |
| 4,739,353 A | 4/1988 | Heuer et al. |
| 4,876,136 A | 10/1989 | Chang et al. |
| 4,953,705 A | 9/1990 | Evamy |
| D312,358 S | 11/1990 | Horne |
| 5,040,678 A | 8/1991 | Lenmark, Sr. et al. |
| 5,092,354 A | 3/1992 | Pacelli, Jr. |
| 5,105,941 A | 4/1992 | Dolan et al. |
| D331,191 S | 11/1992 | Ventola et al. |
| 5,251,760 A | 10/1993 | Smith et al. |
| 5,295,580 A | 3/1994 | Hicks |
| 5,484,063 A | 1/1996 | Cuccio et al. |
| D369,295 S | 4/1996 | Kobari et al. |
| D369,469 S | 5/1996 | Gregory |
| 5,573,119 A | 11/1996 | Luray |



| | | | | |
|--------------|-----|---------|---------------------|--------|
| D382,735 | S | 8/1997 | Zapf | |
| D385,156 | S | 10/1997 | Balari | |
| 5,694,744 | A | 12/1997 | Jones | |
| D397,552 | S | 9/1998 | Rutledge | |
| D406,463 | S | 3/1999 | Rutledge | |
| 5,893,462 | A | 4/1999 | Ridgeway | |
| D411,448 | S | 6/1999 | Baker | |
| 5,950,830 | A | 9/1999 | Trigger | |
| 5,967,327 | A | 10/1999 | Jones | |
| D417,391 | S | 12/1999 | Szczepanski et al. | |
| 6,010,006 | A | 1/2000 | Ridgeway et al. | |
| 6,154,360 | A | 11/2000 | Kaczeus, Sr. et al. | |
| 6,241,090 | B1 | 6/2001 | Kaplinsky | |
| 6,302,274 | B1 | 10/2001 | Ridgeway | |
| 6,305,539 | B1 | 10/2001 | Sanders, Jr. | |
| 6,367,624 | B1 | 4/2002 | Szczepanski et al. | |
| 6,400,247 | B1 | 6/2002 | King | |
| D490,977 | S | 6/2004 | Freeman | |
| D506,744 | S | 6/2005 | Andre et al. | |
| 6,920,981 | B2 | 7/2005 | Lofgren et al. | |
| 7,086,534 | B2 | 8/2006 | Roesel et al. | |
| 7,117,993 | B2 | 10/2006 | Koike | |
| D541,045 | S | 4/2007 | Peart et al. | |
| 7,296,681 | B2 | 11/2007 | McDonald et al. | |
| D558,571 | S | 1/2008 | Andre et al. | |
| D558,572 | S | 1/2008 | Andre et al. | |
| D572,588 | S | 7/2008 | Osborn et al. | |
| D580,752 | S | 11/2008 | Andre et al. | |
| D582,267 | S | 12/2008 | Andre et al. | |
| D584,141 | S | 1/2009 | Smith et al. | |
| D584,142 | S | 1/2009 | Andre et al. | |
| 7,494,015 | B2 | 2/2009 | Bacon et al. | |
| 7,506,758 | B2 | 3/2009 | Davis-Garrison | |
| 7,520,389 | B2 | 4/2009 | Lalouette | |
| D596,485 | S | 7/2009 | Andre et al. | |
| D607,317 | S | 1/2010 | Collins | |
| D614,023 | S | 4/2010 | Amos et al. | |
| D616,741 | S | 6/2010 | Andre et al. | |
| D620,795 | S * | 8/2010 | Andre et al. | D9/432 |
| D621,256 | S | 8/2010 | Andre et al. | |
| D624,403 | S | 9/2010 | Hansen et al. | |
| 7,878,326 | B2 | 2/2011 | Andre et al. | |
| D633,388 | S * | 3/2011 | Andre et al. | D9/456 |
| D649,450 | S * | 11/2011 | Andre et al. | D9/432 |
| D676,323 | S * | 2/2013 | Sugden et al. | D9/456 |
| D677,563 | S * | 3/2013 | Andre et al. | D9/418 |
| 2006/0266672 | A1 | 11/2006 | Young | |
| 2010/0025278 | A1 | 2/2010 | Tilton | |

FOREIGN PATENT DOCUMENTS

| | | |
|----|---------------|--------|
| EM | 00056403 0001 | 8/2006 |
| JP | 61-40925 | 3/1986 |
| JP | D1066280 | 4/2000 |
| JP | D1079431 | 7/2000 |
| KR | 30-0253042 | 2/2000 |

| | | |
|----|---------------|---------|
| KR | 30-0267299 | 12/2000 |
| KR | 3004262930000 | 9/2006 |
| TW | 0488766 | 9/1989 |
| TW | D105819 | 8/2005 |

OTHER PUBLICATIONS

Search Report for Taiwanese Design Application No. 096306629, dated Jan. 16, 2009.

Search Report for Taiwanese Design Application No. 097306924, dated Sep. 10, 2009.

* cited by examiner

Primary Examiner — Susan Bennett Hattan

Assistant Examiner — Vy Koenig

(74) *Attorney, Agent, or Firm* — Sterne, Kessler, Goldstein & Fox P.L.L.C.

(57) **CLAIM**

The ornamental design for packaging, as shown and described.

DESCRIPTION

FIG. 1 is an exploded perspective view of packaging showing our new design;
 FIG. 2 is a front perspective view of FIG. 1 assembled and in a condition of use;
 FIG. 3 is a top view of FIG. 2;
 FIG. 4 is a bottom view thereof;
 FIG. 5 is a side view thereof;
 FIG. 6 is another side view thereof;
 FIG. 7 is a front view thereof;
 FIG. 8 is a front perspective view of the packaging of FIG. 1 partially assembled and in a condition of use; and,
 FIG. 9 is a front perspective view of the packaging of FIG. 1 partially assembled and in a condition of use.
 The broken lines in the Figures show portions of the packaging and environment which form no part of the claimed design.

1 Claim, 7 Drawing Sheets

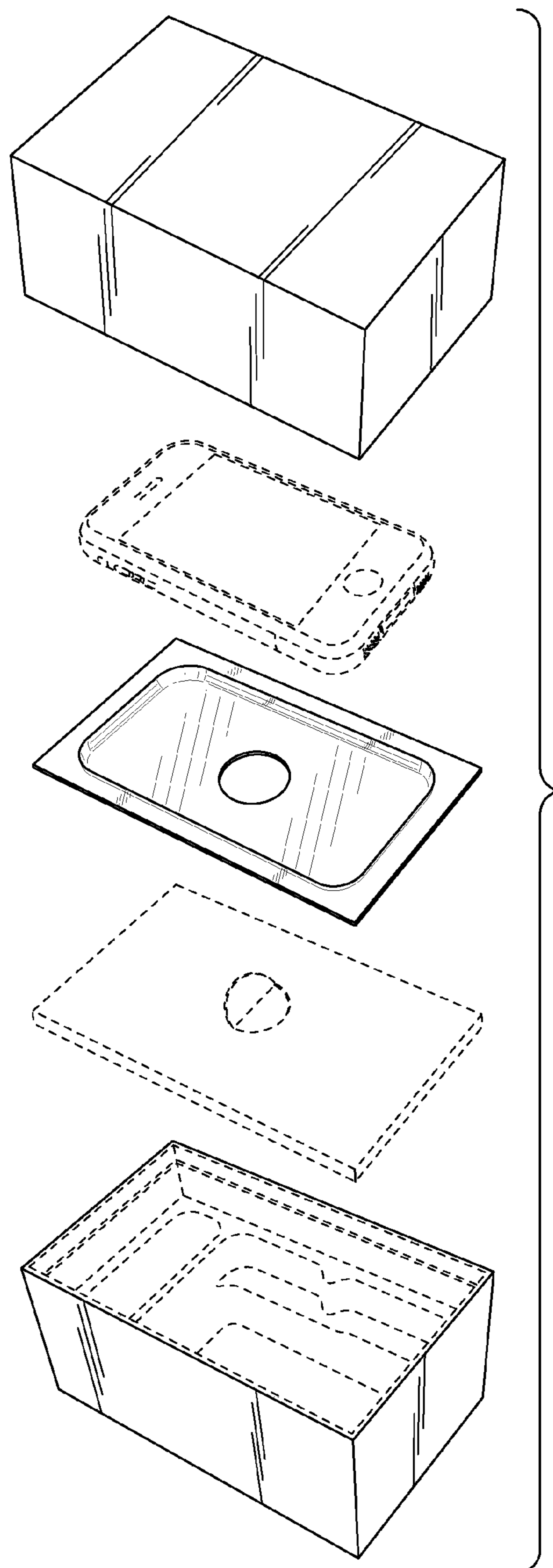


FIG. 1

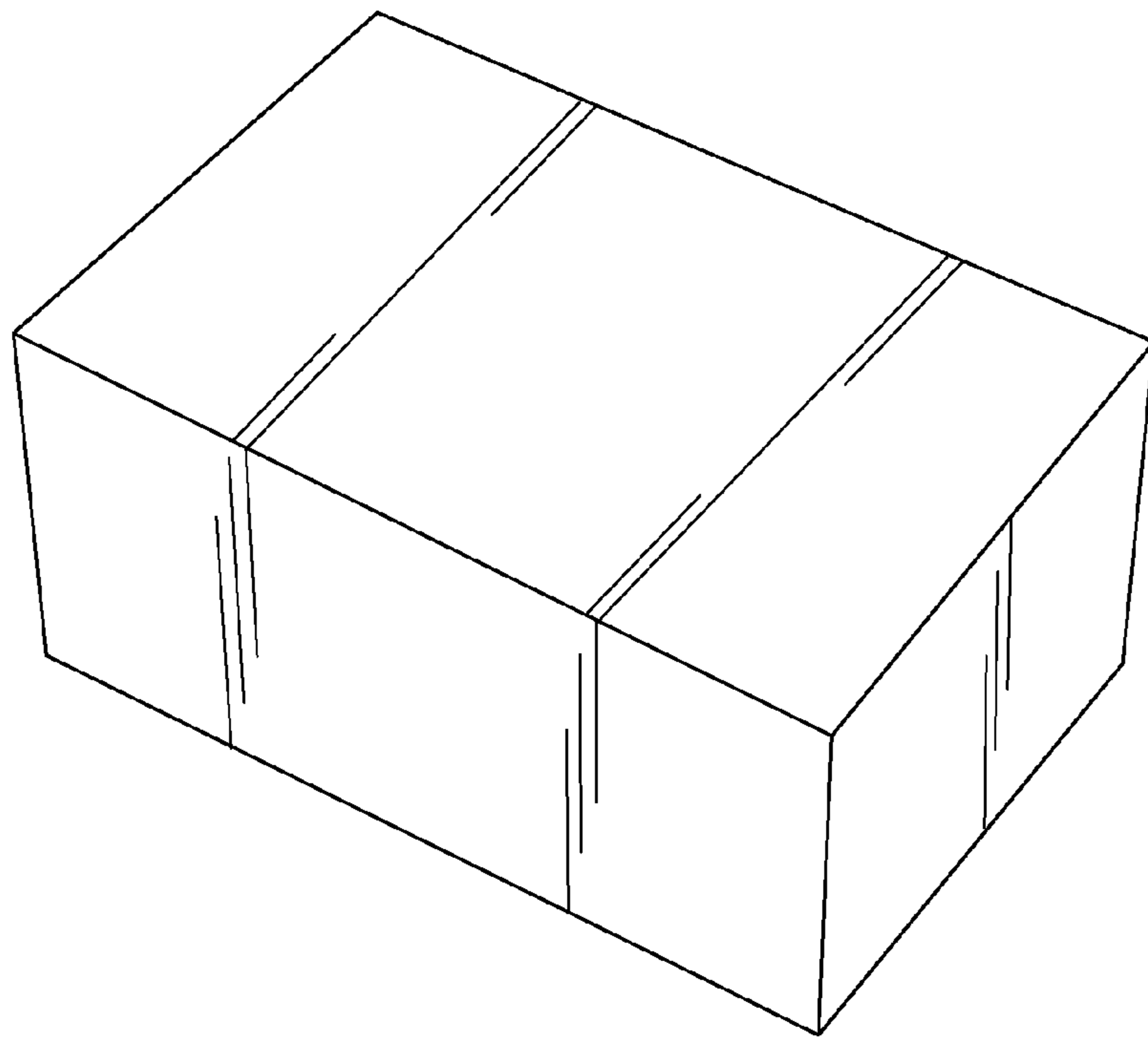


FIG. 2

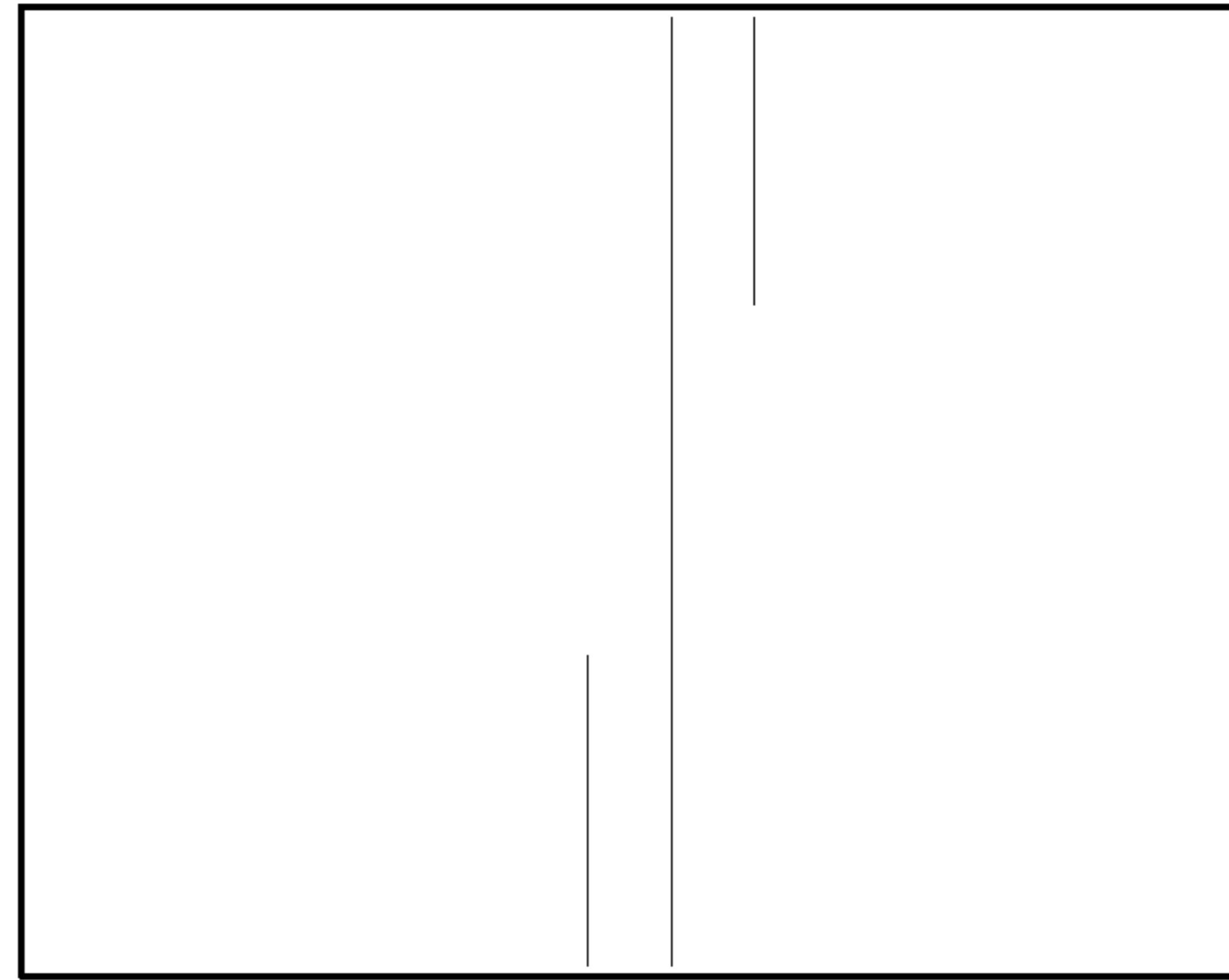


FIG. 3

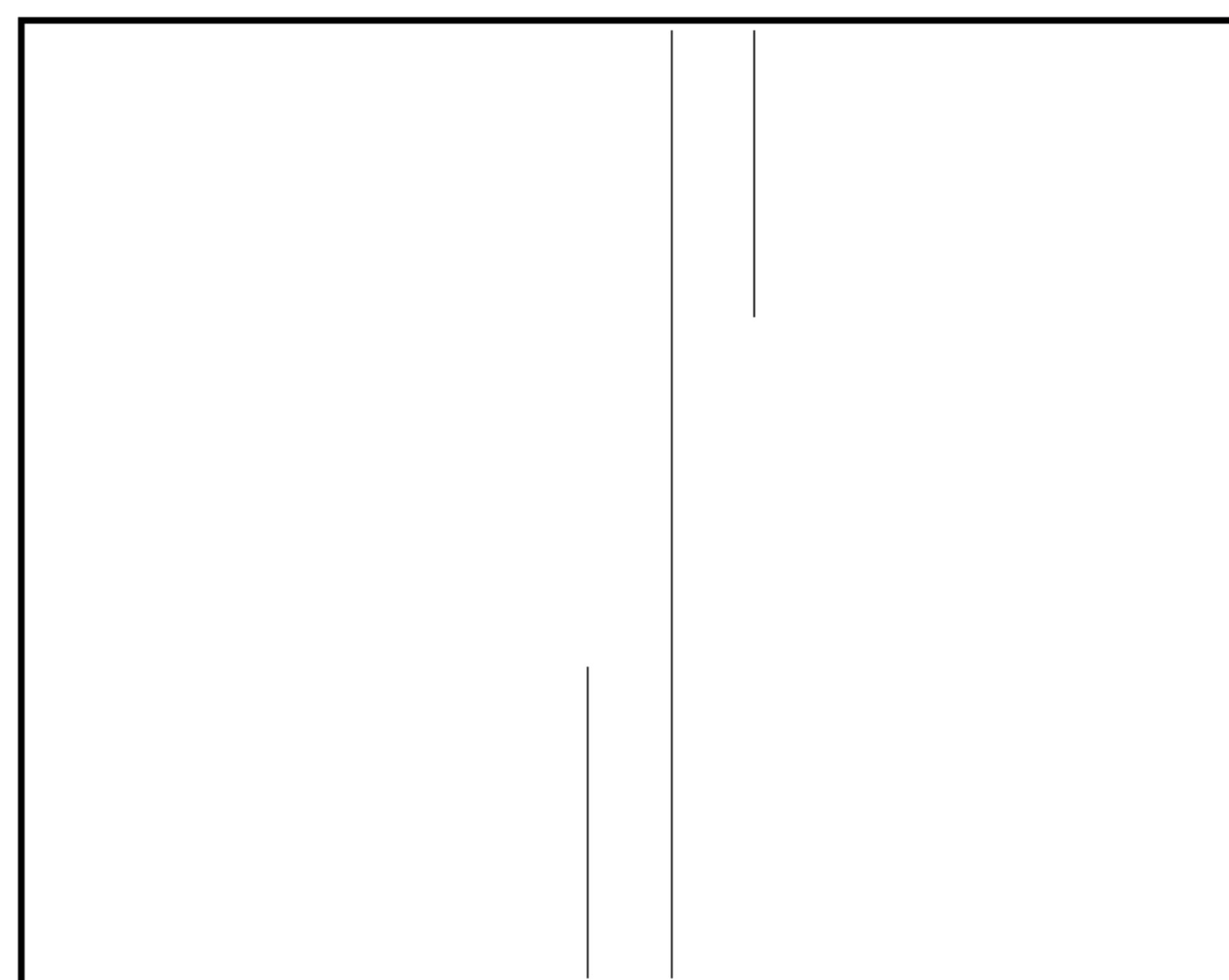


FIG. 4

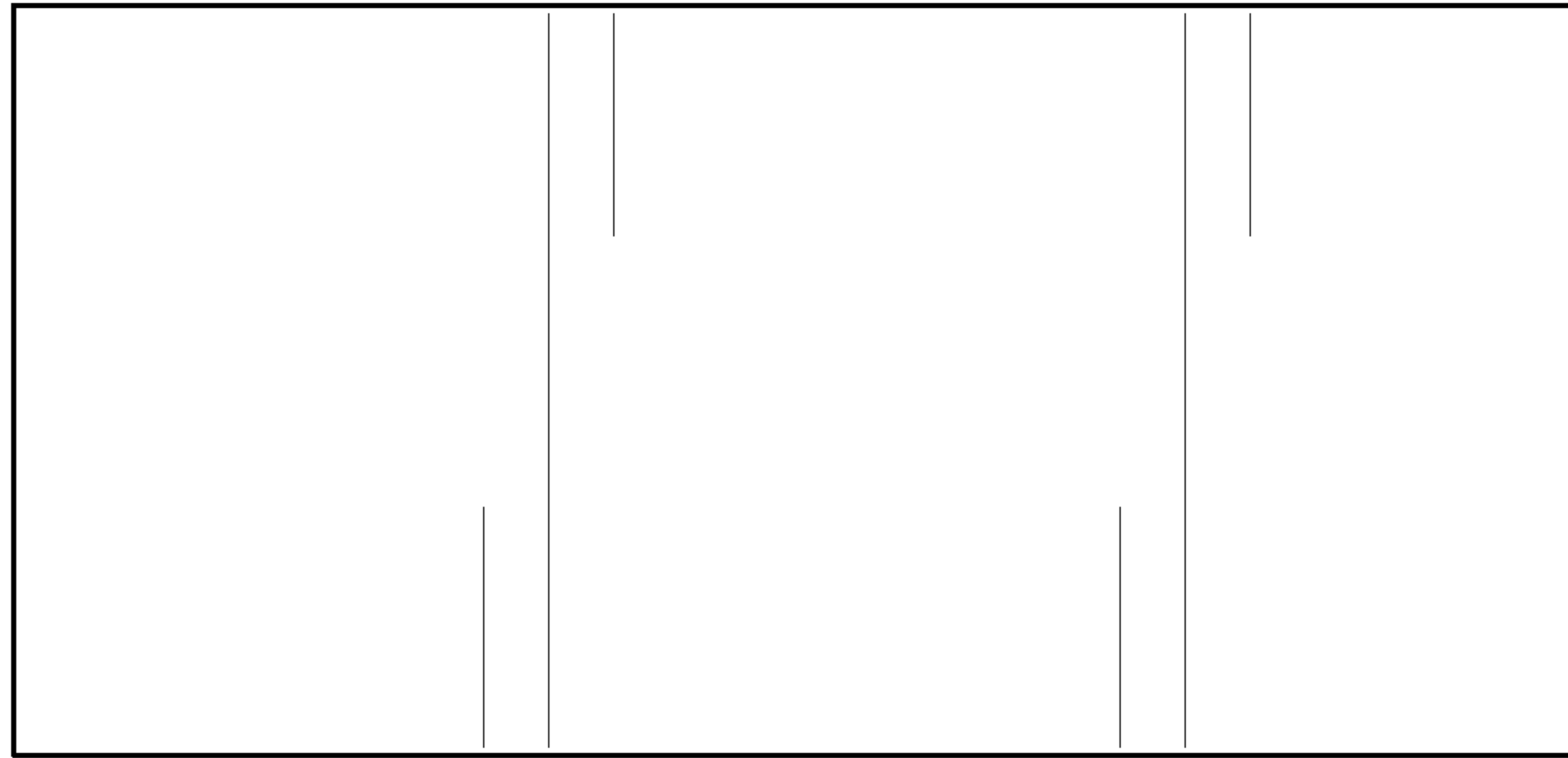


FIG. 5

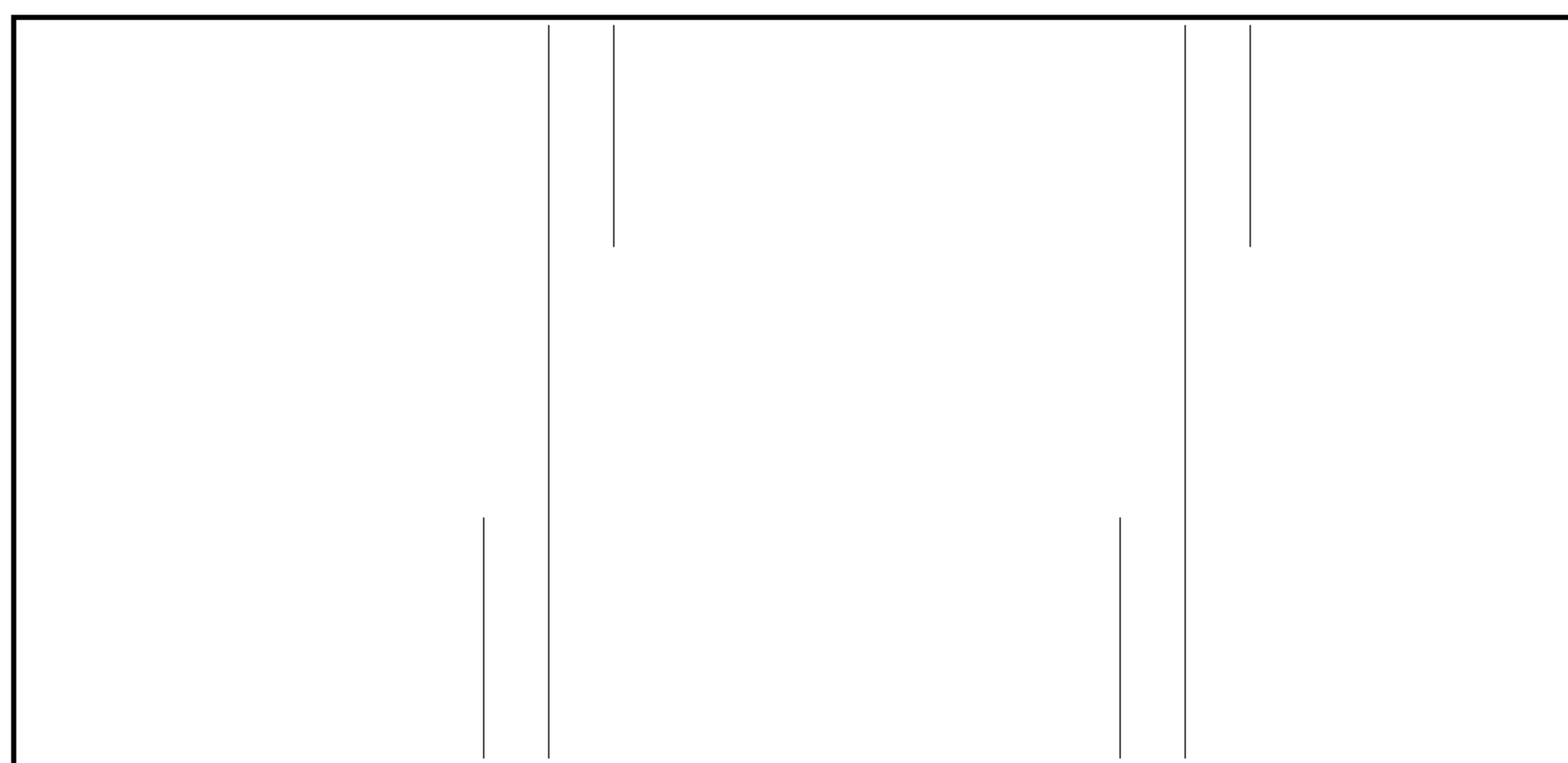


FIG. 6

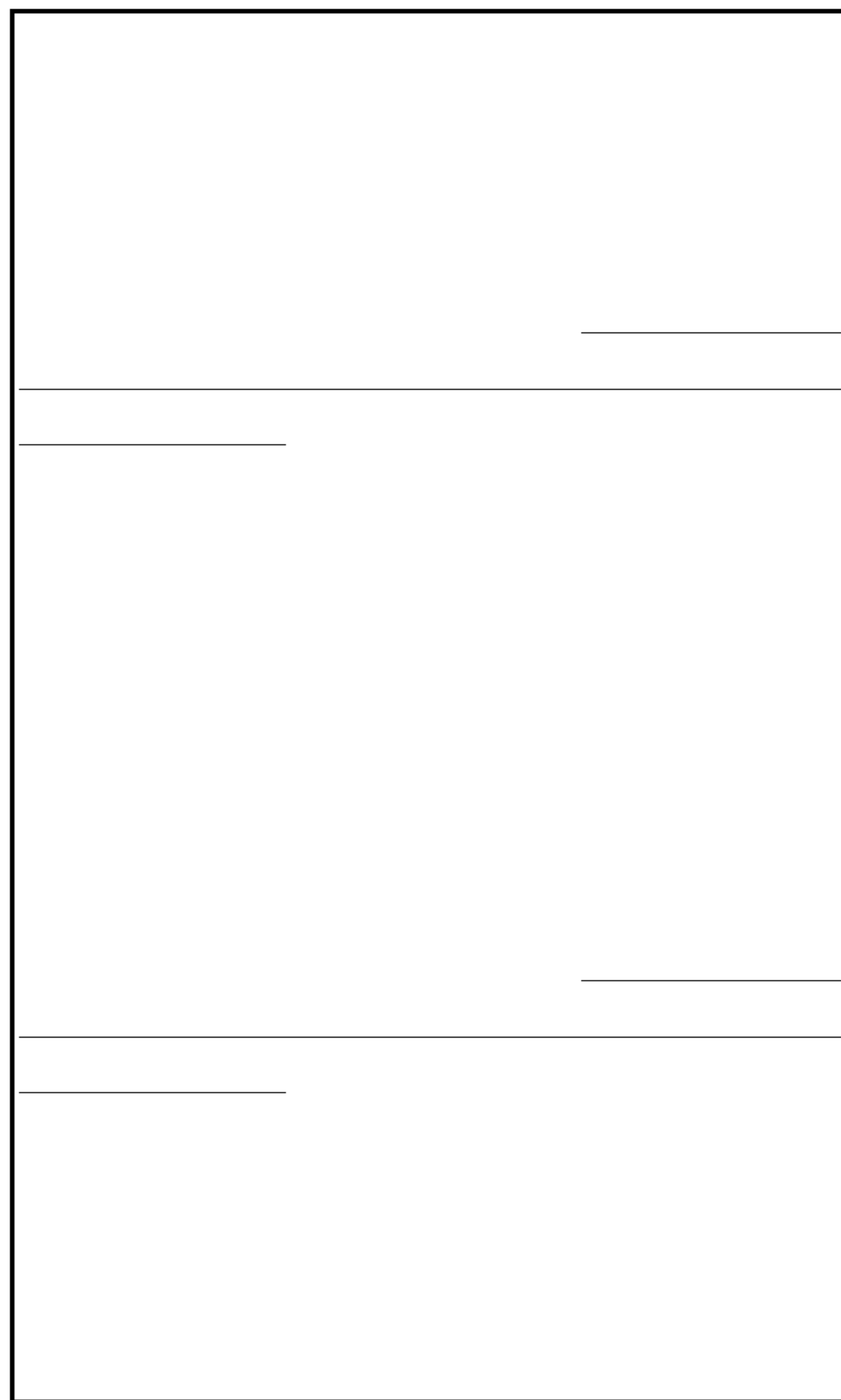


FIG. 7

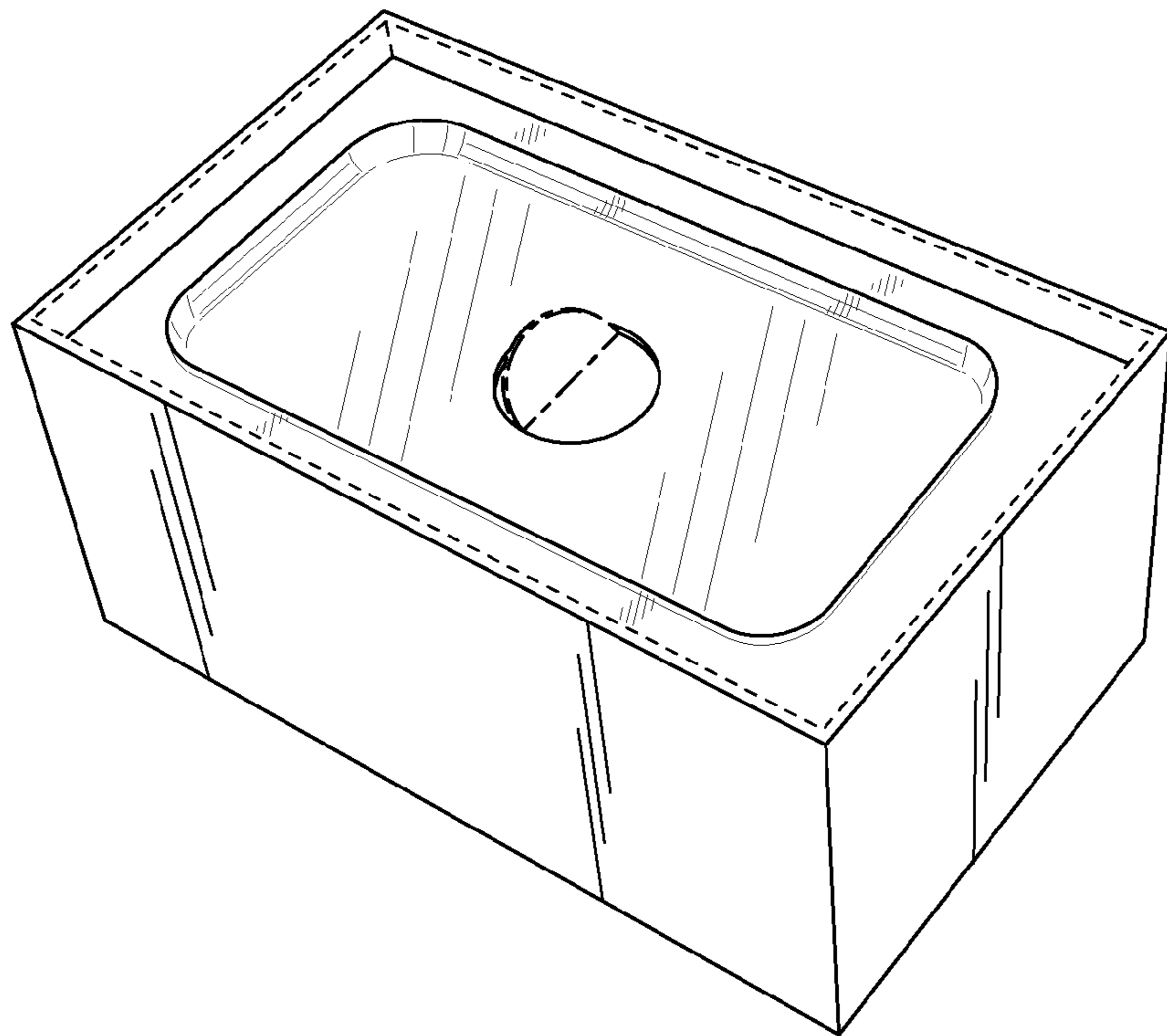


FIG. 8

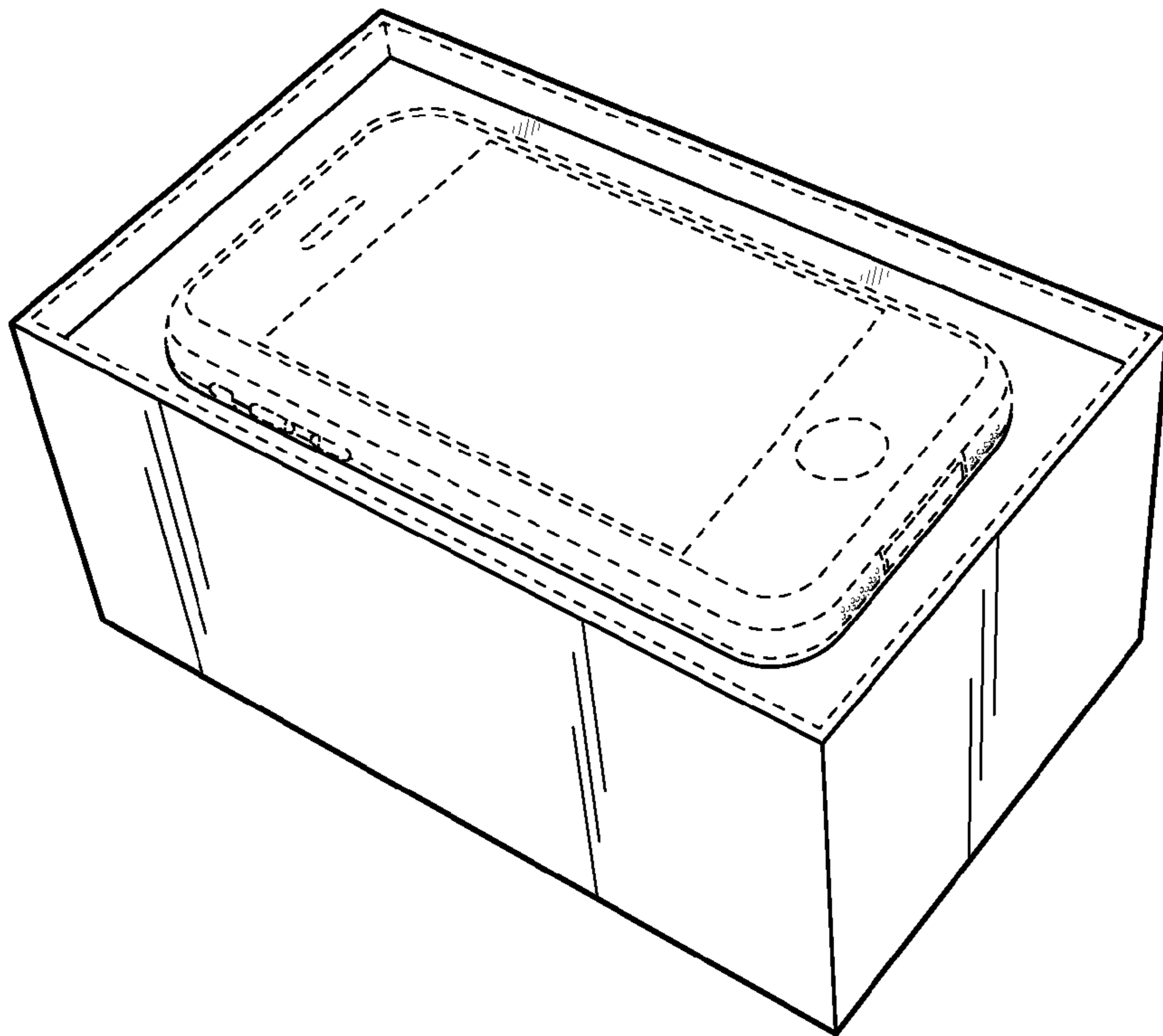


FIG. 9