



US00D701756S

(12) **United States Design Patent**
Chen

(10) **Patent No.:** **US D701,756 S**

(45) **Date of Patent:** **** Apr. 1, 2014**

(54) **PACKAGING BOX**

(75) Inventor: **Xia Chen**, Beijing (CN)

(73) Assignee: **Mars, Incorporated**, McLean, VA (US)

(**) Term: **14 Years**

(21) Appl. No.: **29/411,769**

(22) Filed: **Jan. 25, 2012**

(30) **Foreign Application Priority Data**

Jul. 25, 2011 (CN) 2011 3 0238845

(51) **LOC (10) Cl.** **09-03**

(52) **U.S. Cl.**
USPC **D9/432**

(58) **Field of Classification Search**
USPC D9/430-433, 414, 418, 420-424;
D3/272, 273, 302; 206/267, 269, 270,
206/273, 299, 737, 740, 822; 229/100, 101,
229/101.3, 106, 108-112
See application file for complete search history.

(56) **References Cited**

U.S. PATENT DOCUMENTS

414,538 A * 11/1889 Hoen 229/131
1,818,247 A * 8/1931 Grennan 206/740
1,954,060 A * 4/1934 Powers 206/740

2,301,310 A * 11/1942 Messer 206/766
2,675,166 A * 4/1954 Main 229/117.17
3,308,934 A * 3/1967 Reiner 206/740
4,382,504 A * 5/1983 Vesborg 206/766
5,249,669 A * 10/1993 Resnick et al. 206/740
D461,125 S * 8/2002 Decello et al. D9/432

* cited by examiner

Primary Examiner — Susan Bennett Hattan

Assistant Examiner — Vy Koenig

(74) *Attorney, Agent, or Firm* — Arent Fox LLP

(57) **CLAIM**

The ornamental design for a packaging box, as shown and described.

DESCRIPTION

FIG. 1 is a perspective view of a packaging box showing my new design in an open configuration;
FIG. 2 is a front view thereof, showing the box in a closed configuration;
FIG. 3 is a rear view of the design shown in FIG. 2;
FIG. 4 is a top view of the design shown in FIG. 2;
FIG. 5 is a left side view of the design shown in FIG. 2;
FIG. 6 is a right side view of the design shown in FIG. 2; and,
FIG. 7 is a perspective view thereof.
The broken lines in FIG. 1 illustrate environmental features and form no part of the claimed design.
The broken line in FIG. 4 illustrates a perforation in the top of the box and forms no part of the claimed design.

1 Claim, 5 Drawing Sheets

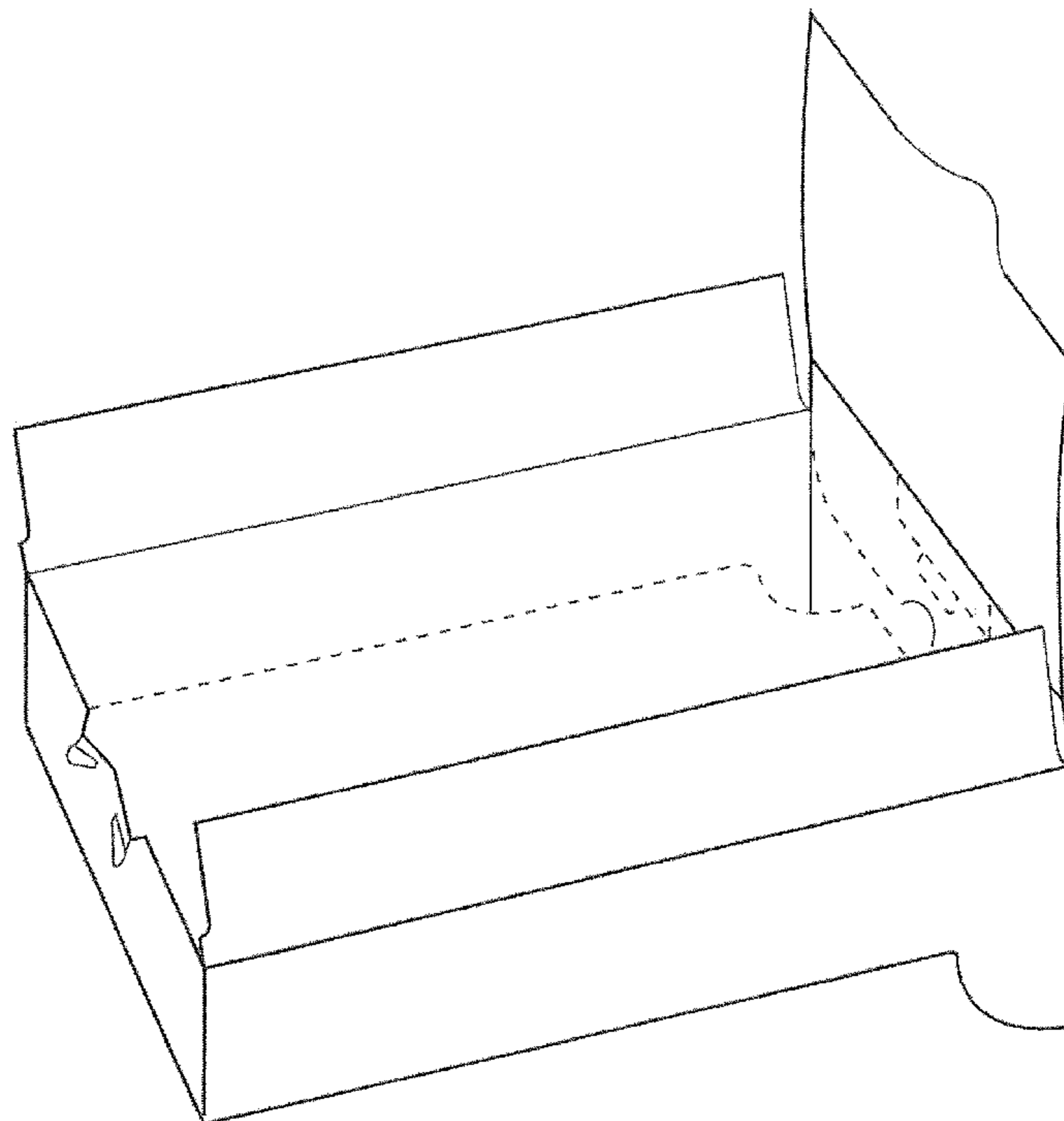


Fig. 1

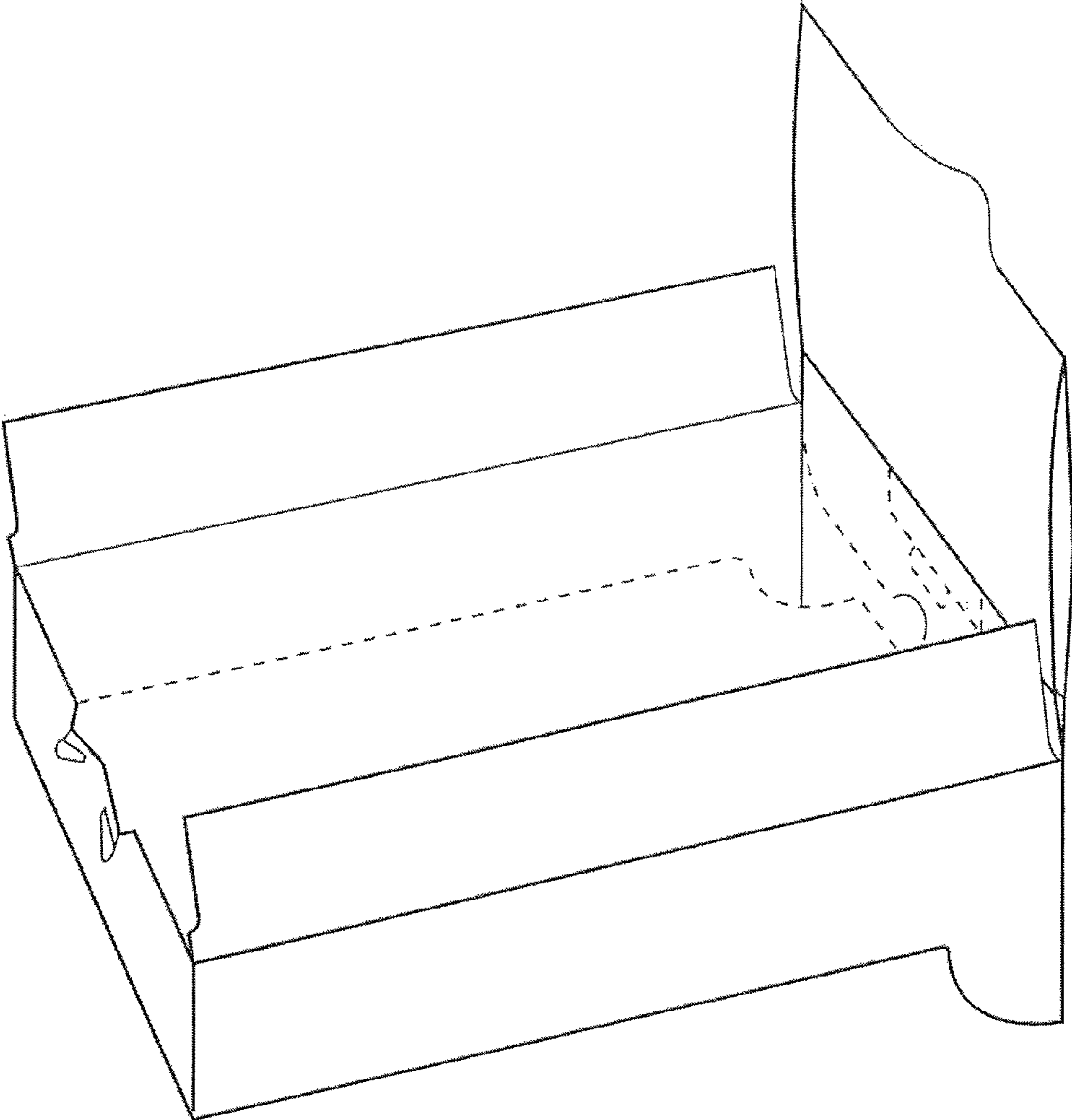


Fig. 2

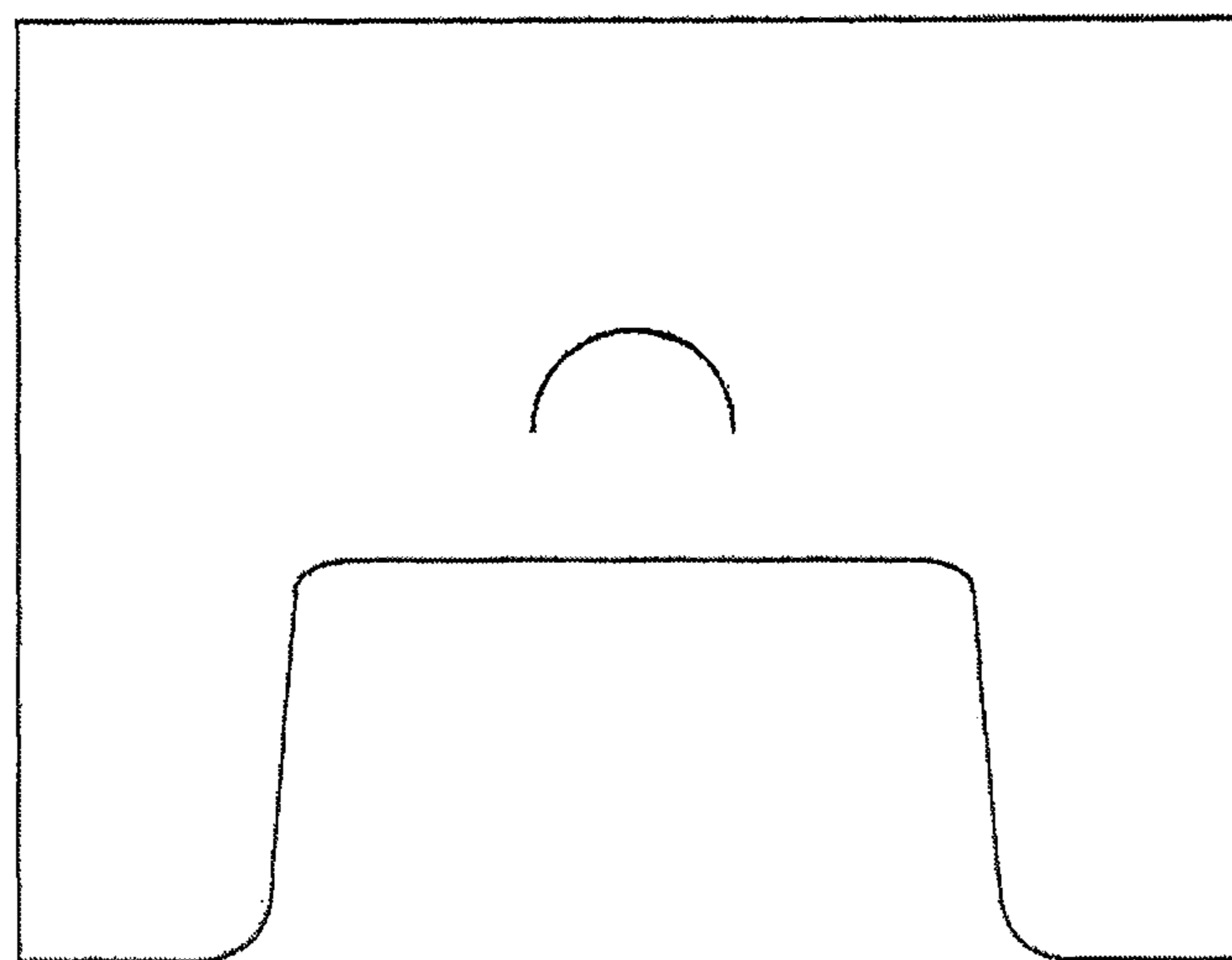
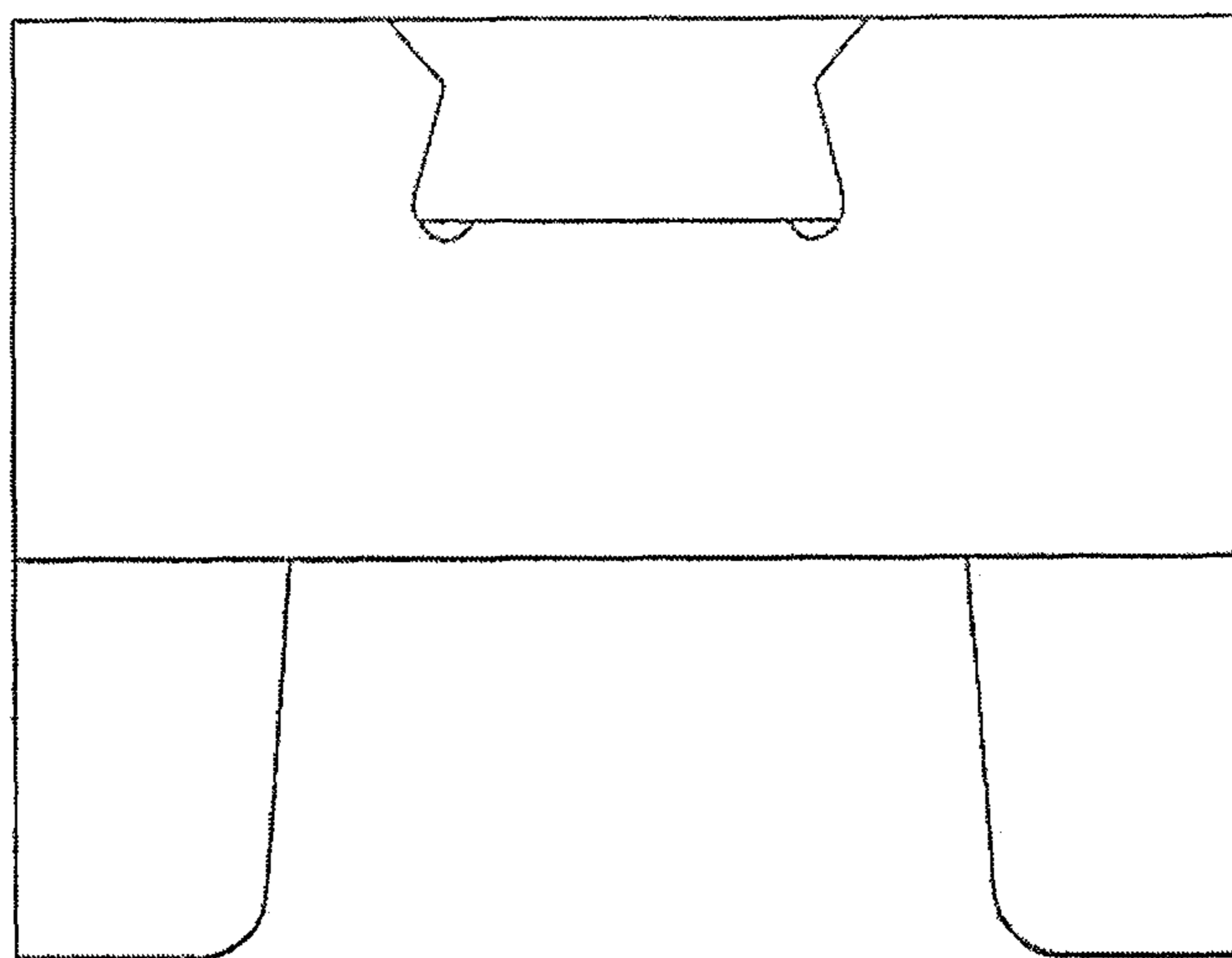


Fig. 3

Fig. 4

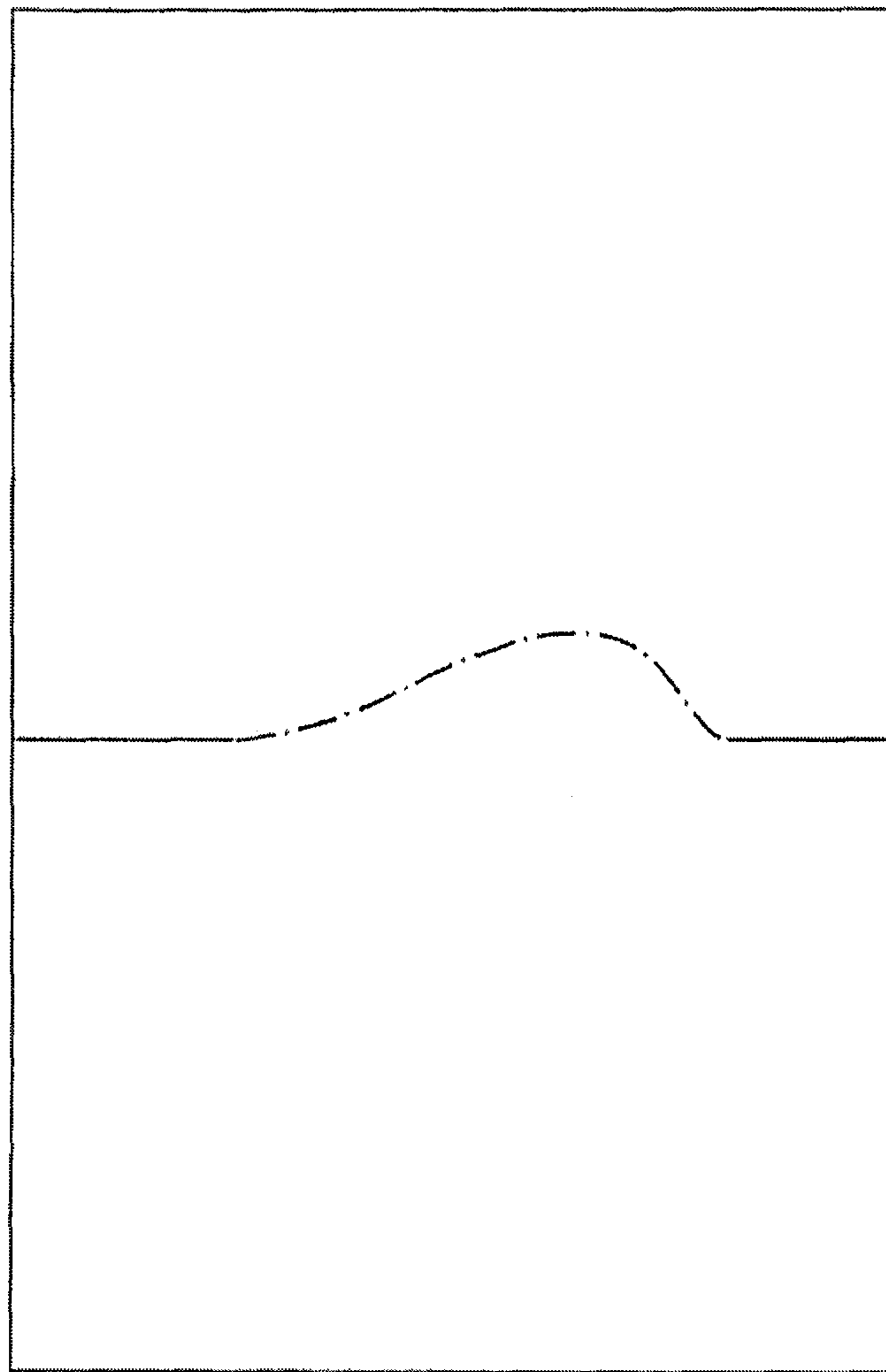


Fig. 5

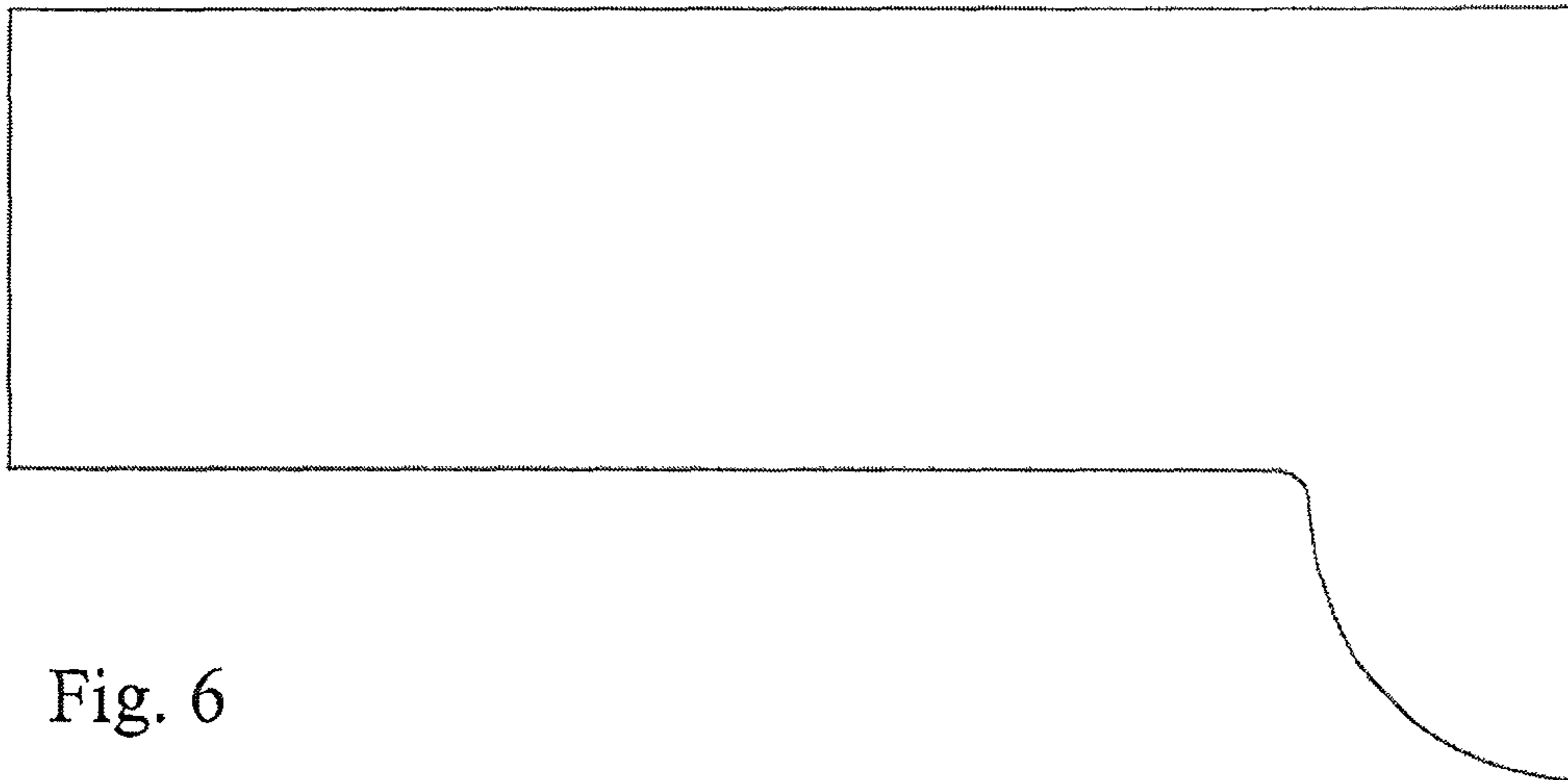
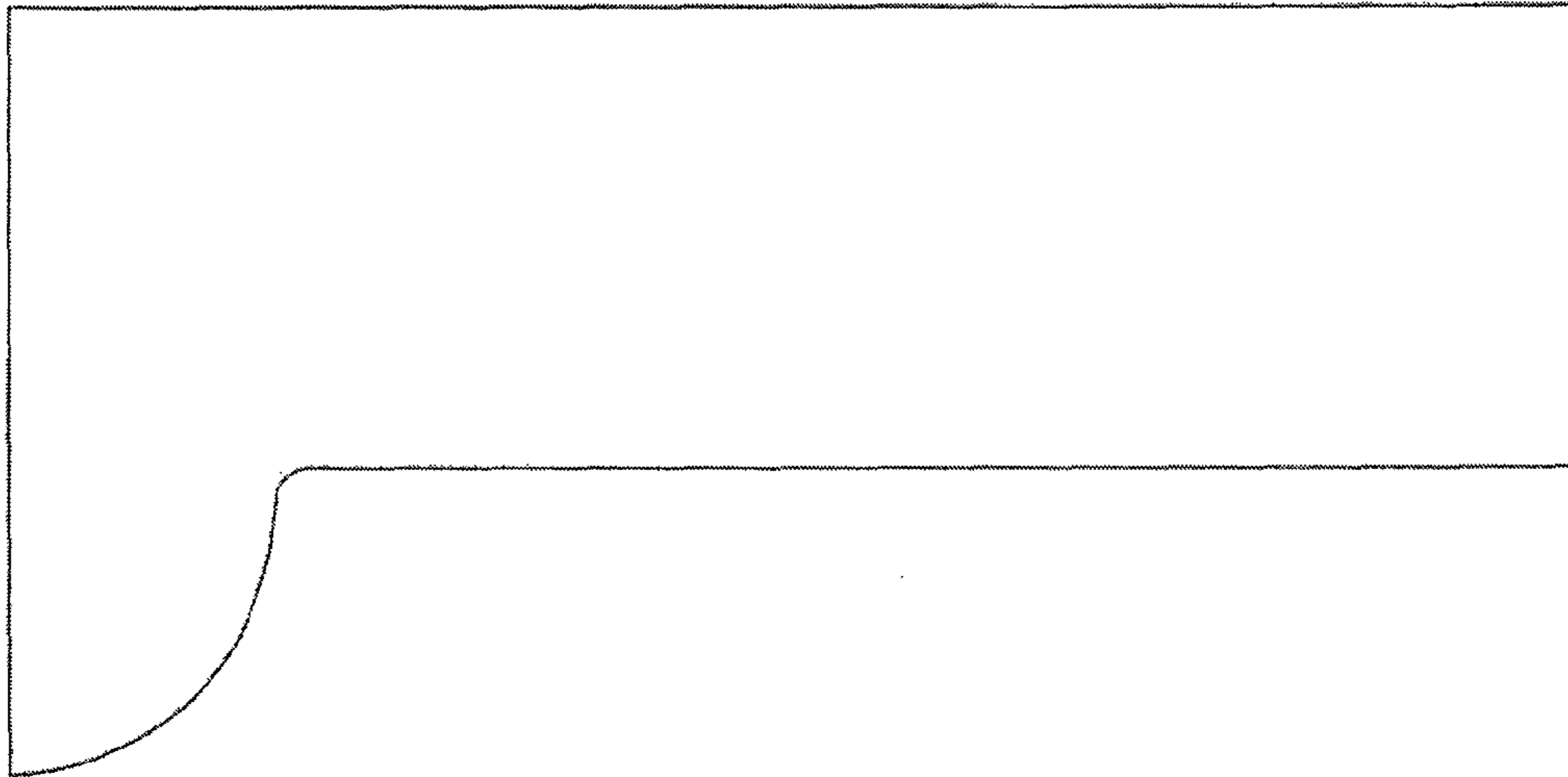


Fig. 6

Fig. 7

