



US00D701754S

(12) **United States Design Patent**
Belyea et al.

(10) **Patent No.:** **US D701,754 S**
(45) **Date of Patent:** **** Apr. 1, 2014**

(54) **FINGER GUARD FOR USE OVER DOOR HINGE**

(75) Inventors: **Vianka P. Belyea**, Boston, MA (US);
Tavinder Phull, Newton, MA (US)

(73) Assignee: **Rhoost, LLC.**, Newton, MA (US)

(**) Term: **14 Years**

(21) Appl. No.: **29/427,470**

(22) Filed: **Jul. 18, 2012**

(51) **LOC (10) Cl.** **08-09**

(52) **U.S. Cl.**
USPC **D8/402**

(58) **Field of Classification Search**
USPC D8/402; D29/113, 114, 116.1, 116.2,
D29/117.1, 117.2, 120.1, 123; 2/16, 21;
49/381, 383; 16/82, 83, 86 A, 86 B, 86 R
See application file for complete search history.

(56) **References Cited**

U.S. PATENT DOCUMENTS

4,611,429	A *	9/1986	Kanies	49/70
D286,015	S *	10/1986	Johnson	D8/402
5,027,471	A *	7/1991	Barnes	16/86 R
D323,976	S *	2/1992	Barnes	D8/402
D611,804	S *	3/2010	Davidson	D8/402
8,201,796	B2 *	6/2012	Belyea et al.	248/345.1
D682,081	S *	5/2013	Crawford	D8/402
2011/0214355	A1 *	9/2011	Kim	49/383
2013/0037643	A1 *	2/2013	Belyea et al.	242/118
2013/0118087	A1 *	5/2013	Belyea et al.	49/383

OTHER PUBLICATIONS

Rhoost finger guard, 2-pack, white [on-line]; retrieved from the Internet on Nov. 4, 2013. URL: >http://www.albeebaby.com/rhoost-finger-guard-2-pk-white.html?utm_medium=shoppingengine&utm_source=pricegrabber<. (1 page).*

* cited by examiner

Primary Examiner — Karen E Eldridge Powers

(74) *Attorney, Agent, or Firm* — Wilmer Cutler Pickering Hale and Dorr LLP

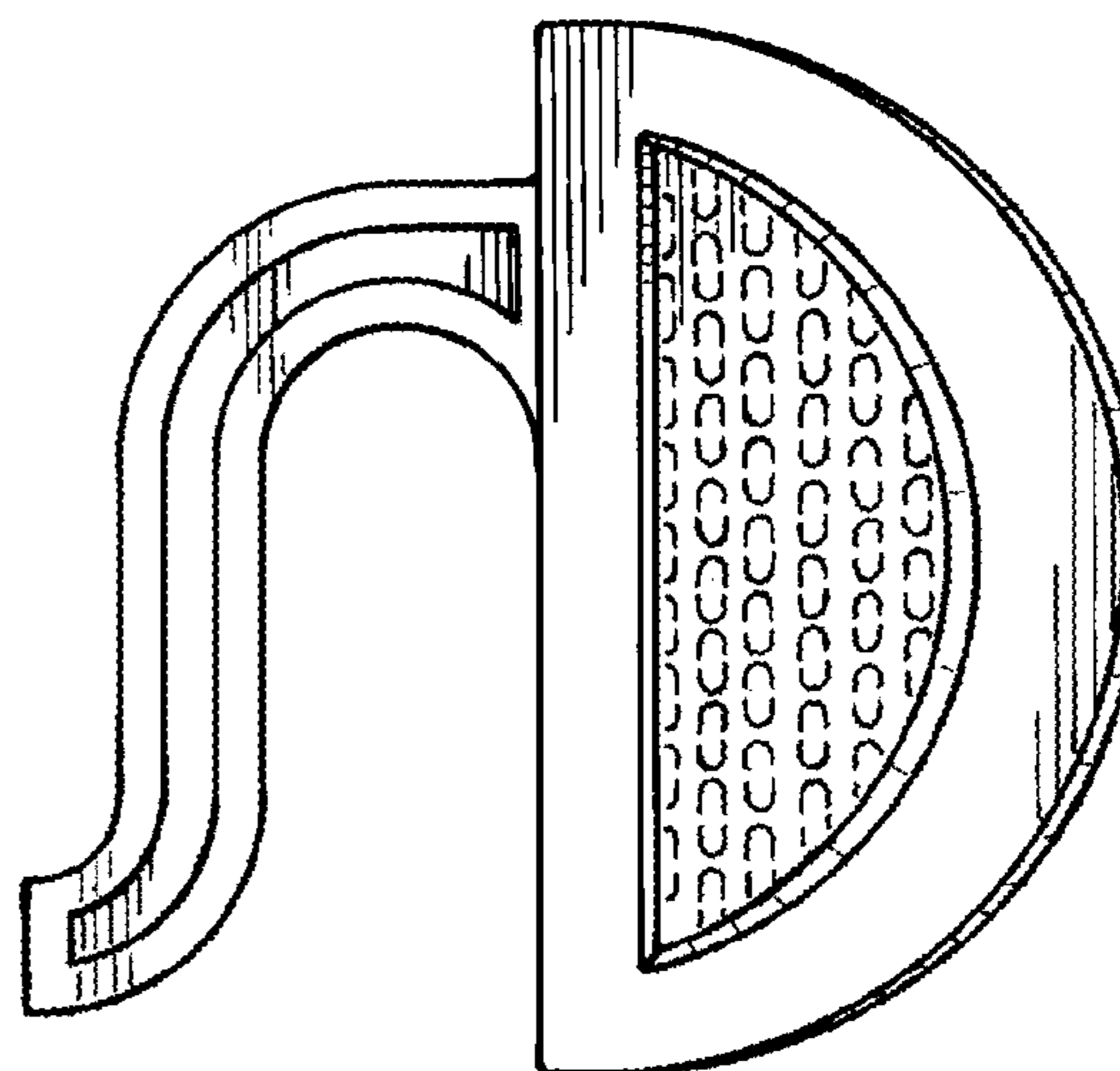
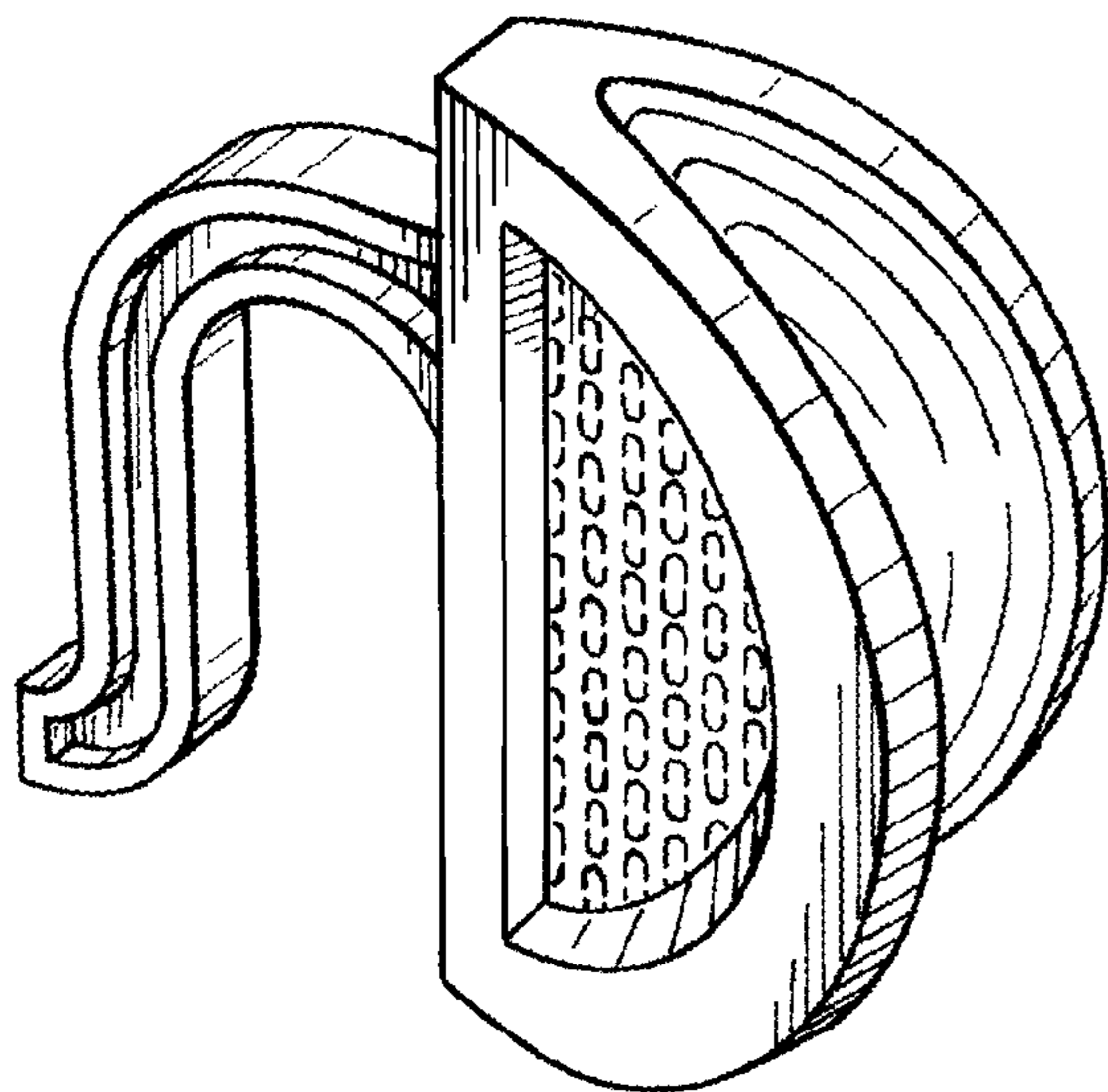
(57) **CLAIM**

The ornamental design for a finger guard for use over door hinge, as shown.

DESCRIPTION

FIG. 1 is a front perspective view of a finger guard for use over door hinge showing our new design; FIG. 2 is a left side elevation view thereof, the right side being a mirror image thereof; FIG. 3 is a rear elevational view thereof; FIG. 4 is a front elevational view thereof; FIG. 5 is a top plan view thereof; and, FIG. 6 is a bottom plan view thereof. The texturing shown in dashed lines (specifically the pattern formed by paired elliptically-shaped line segments) forms no part of the design herein.

1 Claim, 2 Drawing Sheets



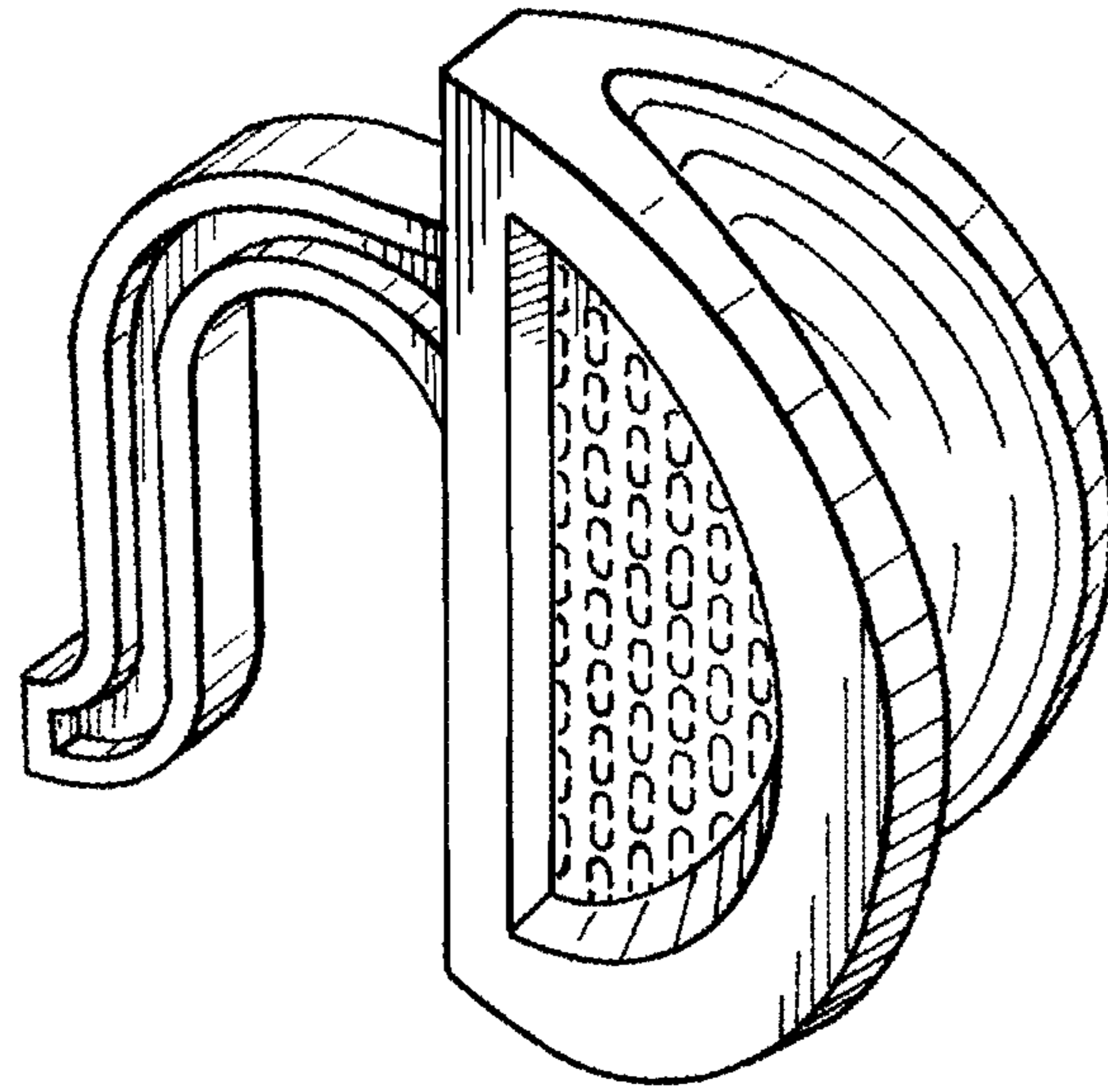


Fig. 1

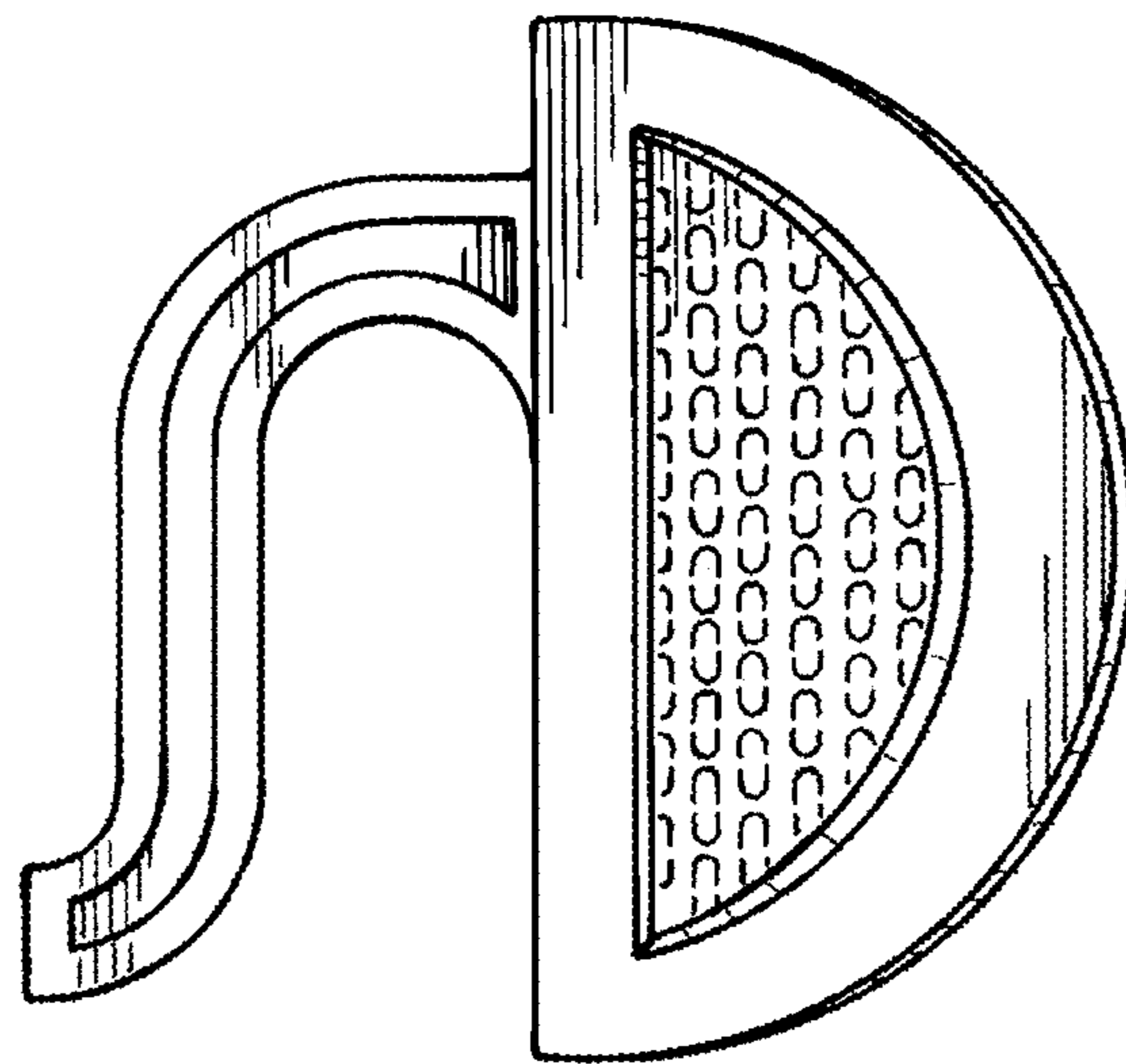


Fig. 2

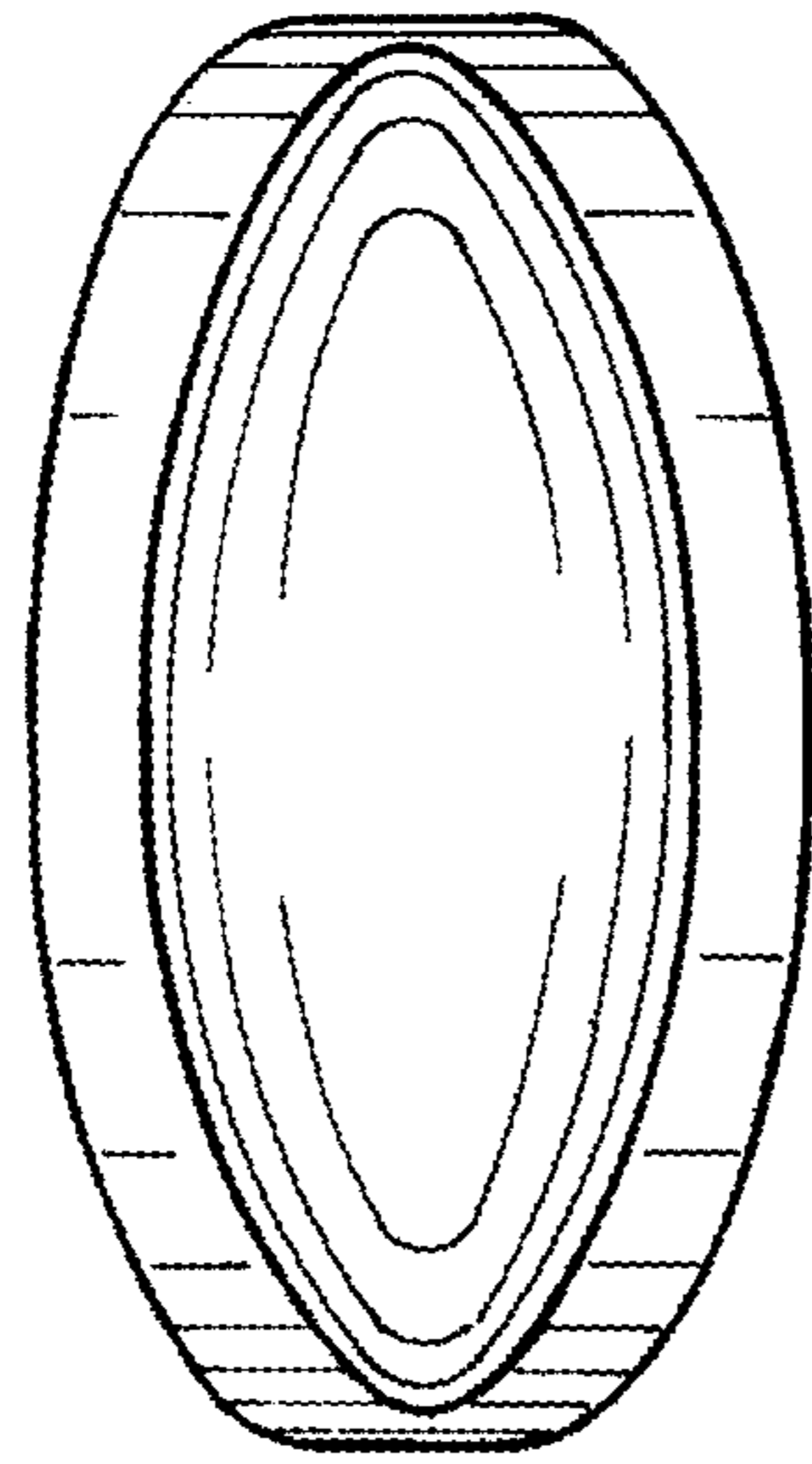


Fig. 3

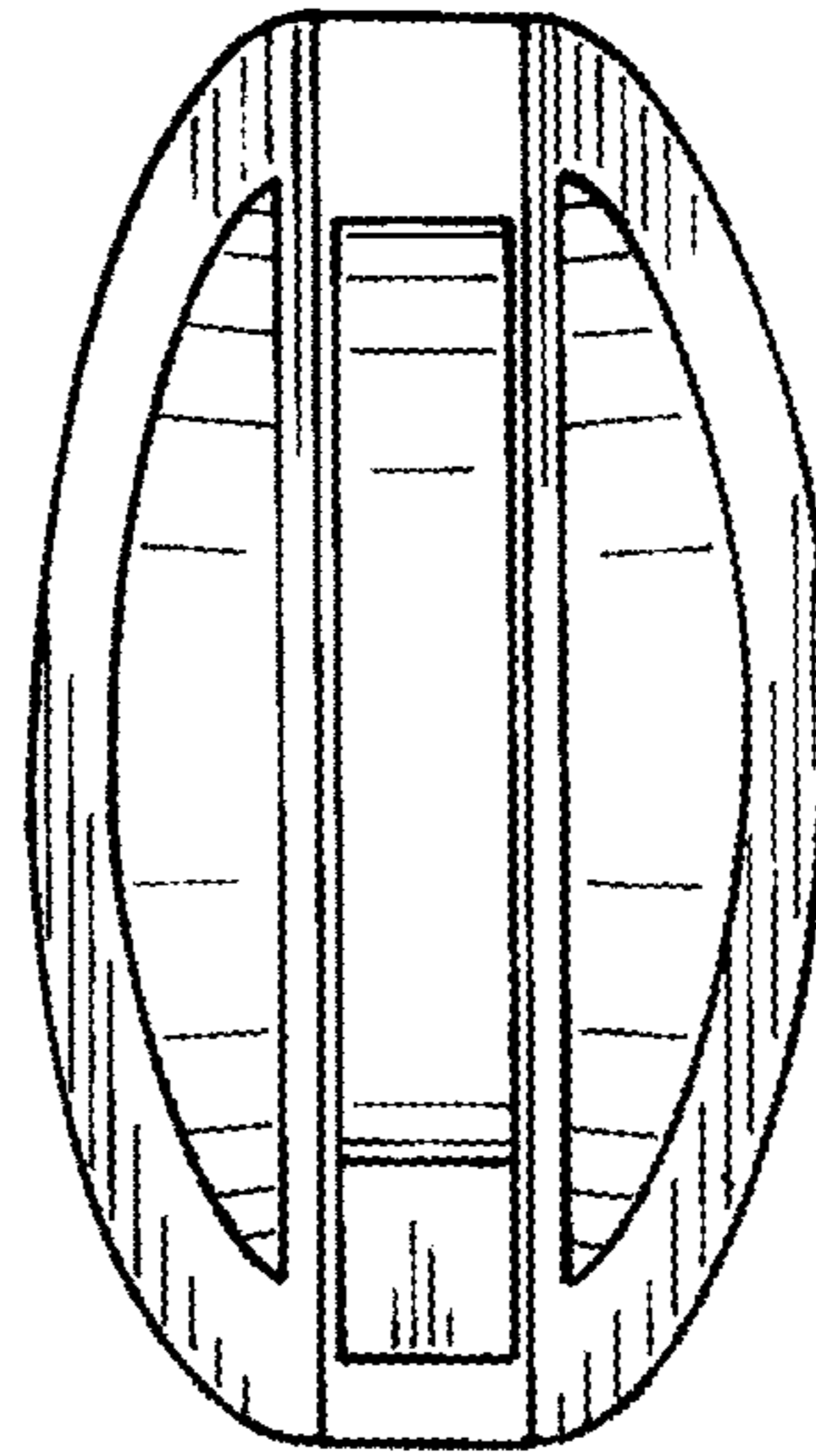


Fig. 4

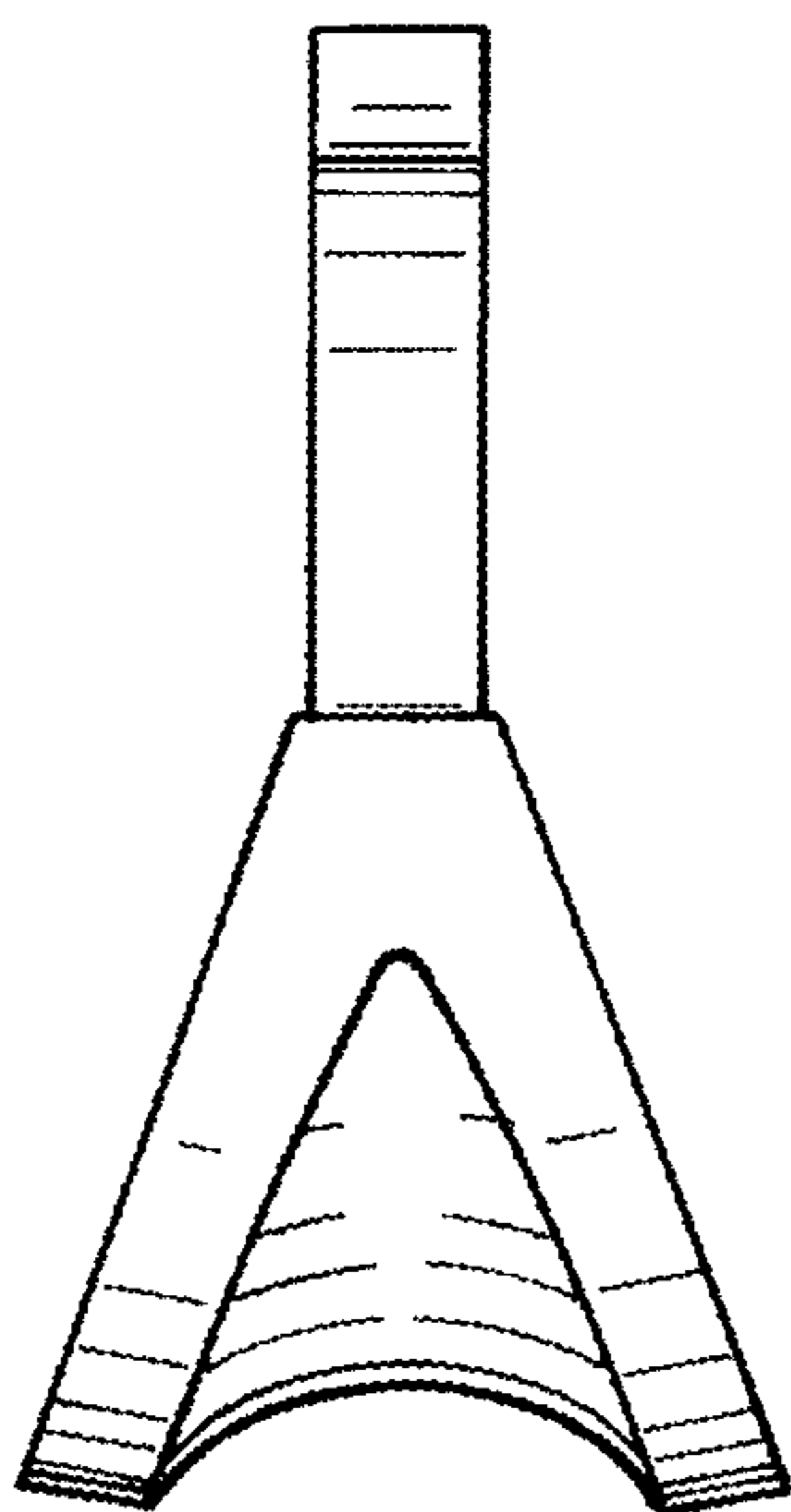


Fig. 5

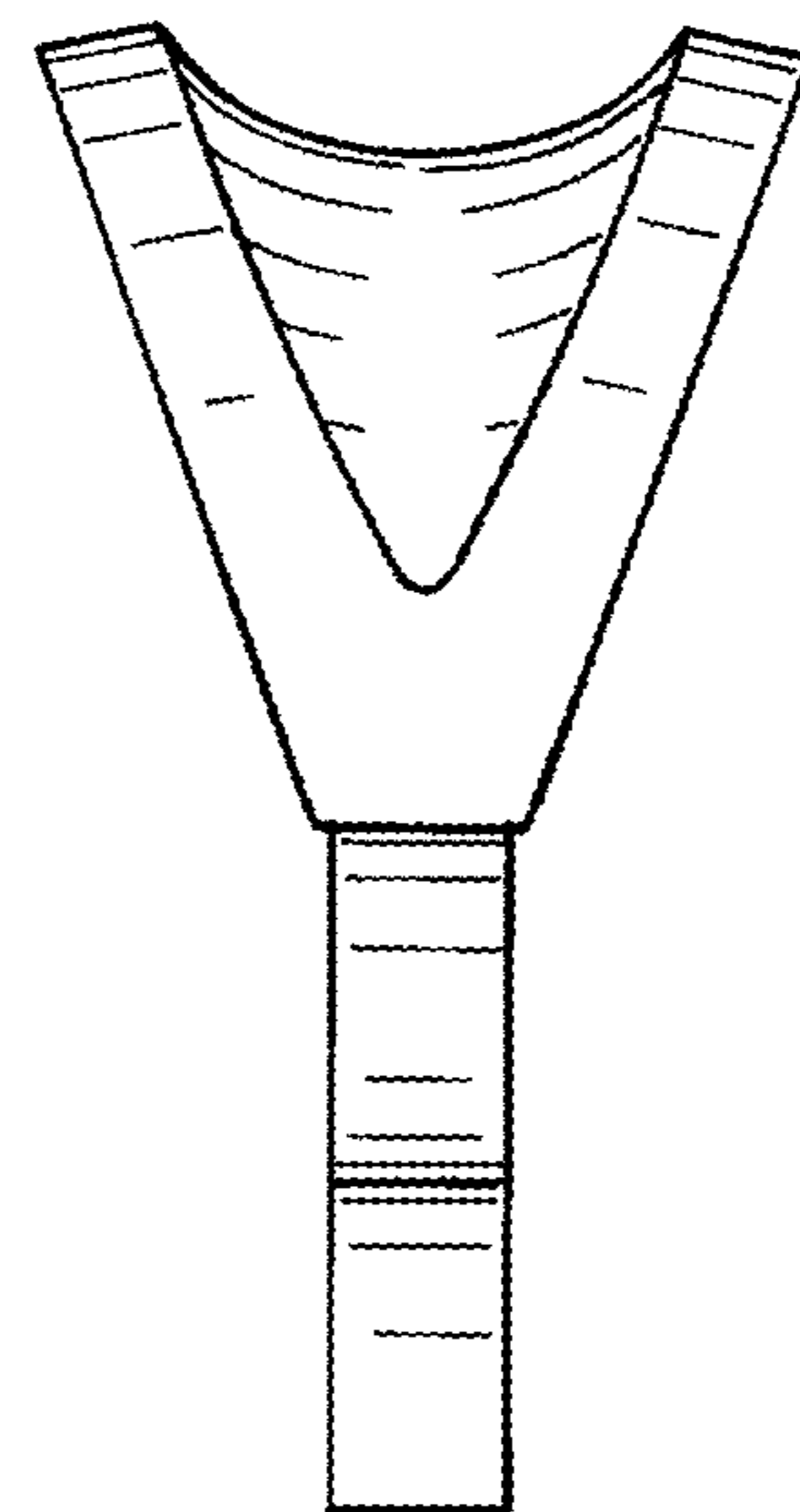


Fig. 6