



US00D701753S

(12) **United States Design Patent**
Kubota

(10) **Patent No.:** **US D701,753 S**

(45) **Date of Patent:** **** Apr. 1, 2014**

(54) **CASTER**

FOREIGN PATENT DOCUMENTS

(71) Applicant: **Harunobu Kubota**, Chiyoda-ku (JP)

JP D450214 6/1977

(72) Inventor: **Harunobu Kubota**, Chiyoda-ku (JP)

JP D480186 7/1978

JP D480186 8/1978

(73) Assignee: **Sugatsune Kogyo Co., Ltd.**,
Chiyoda-Ku (JP)

* cited by examiner

(**) Term: **14 Years**

Primary Examiner — Robert M Spear

Assistant Examiner — Eliza Bennett-Hattan

(21) Appl. No.: **29/434,102**

(74) *Attorney, Agent, or Firm* — Masuvalley & Partners

(22) Filed: **Oct. 9, 2012**

(57) **CLAIM**

The ornamental design for a caster, as shown and described.

(30) **Foreign Application Priority Data**

DESCRIPTION

Apr. 11, 2012 (JP) 2012-008532

(51) **LOC (10) Cl.** **08-05**

(52) **U.S. Cl.**
USPC **D8/375**

(58) **Field of Classification Search**
USPC D8/354, 375; 16/35 R, 18 R, 35 D, 45,
16/46, 29; D3/318; D34/27
See application file for complete search history.

FIG. 1 is a perspective view of the caster according to the invention;

FIG. 2 is a right side elevation view of the caster of FIG. 1;

FIG. 3 is a left side elevation view of the caster of FIG. 1;

FIG. 4 is a front elevation view of the caster according of FIG. 1;

FIG. 5 is a rear elevation view of the caster of FIG. 1;

FIG. 6 is a top plan view of the caster of FIG. 1;

FIG. 7 is a bottom plan view of the caster of FIG. 1; and,

FIG. 8 is a cross-sectional view of the caster through line 8-8 shown in FIG. 4.

The broken line disclosure depicts environmental subject matter only and forms no part of the claimed invention.

(56) **References Cited**

U.S. PATENT DOCUMENTS

D239,433 S * 4/1976 Sugawara D8/375
3,977,040 A * 8/1976 Sugawara 16/45

1 Claim, 3 Drawing Sheets

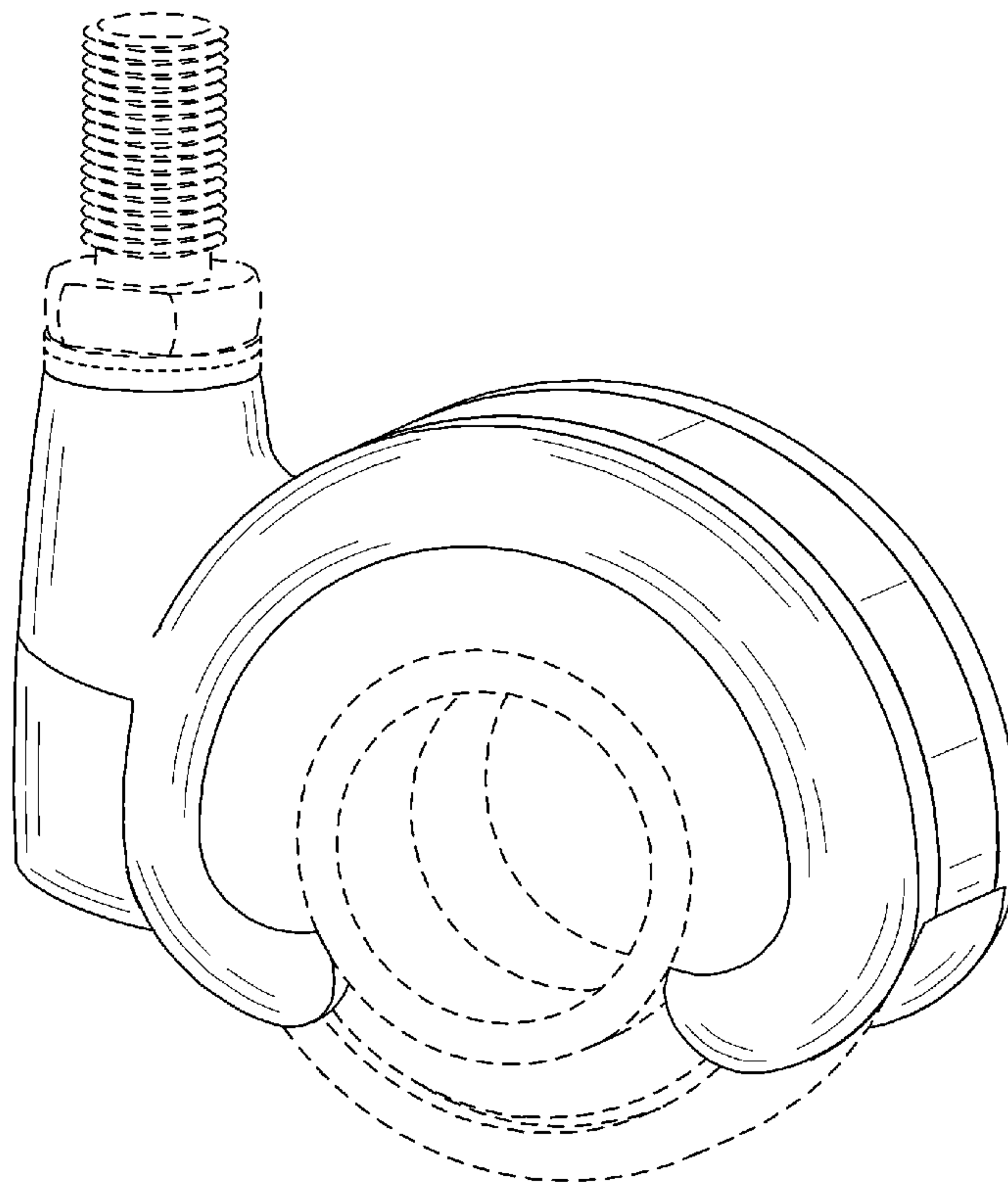


FIG. 1

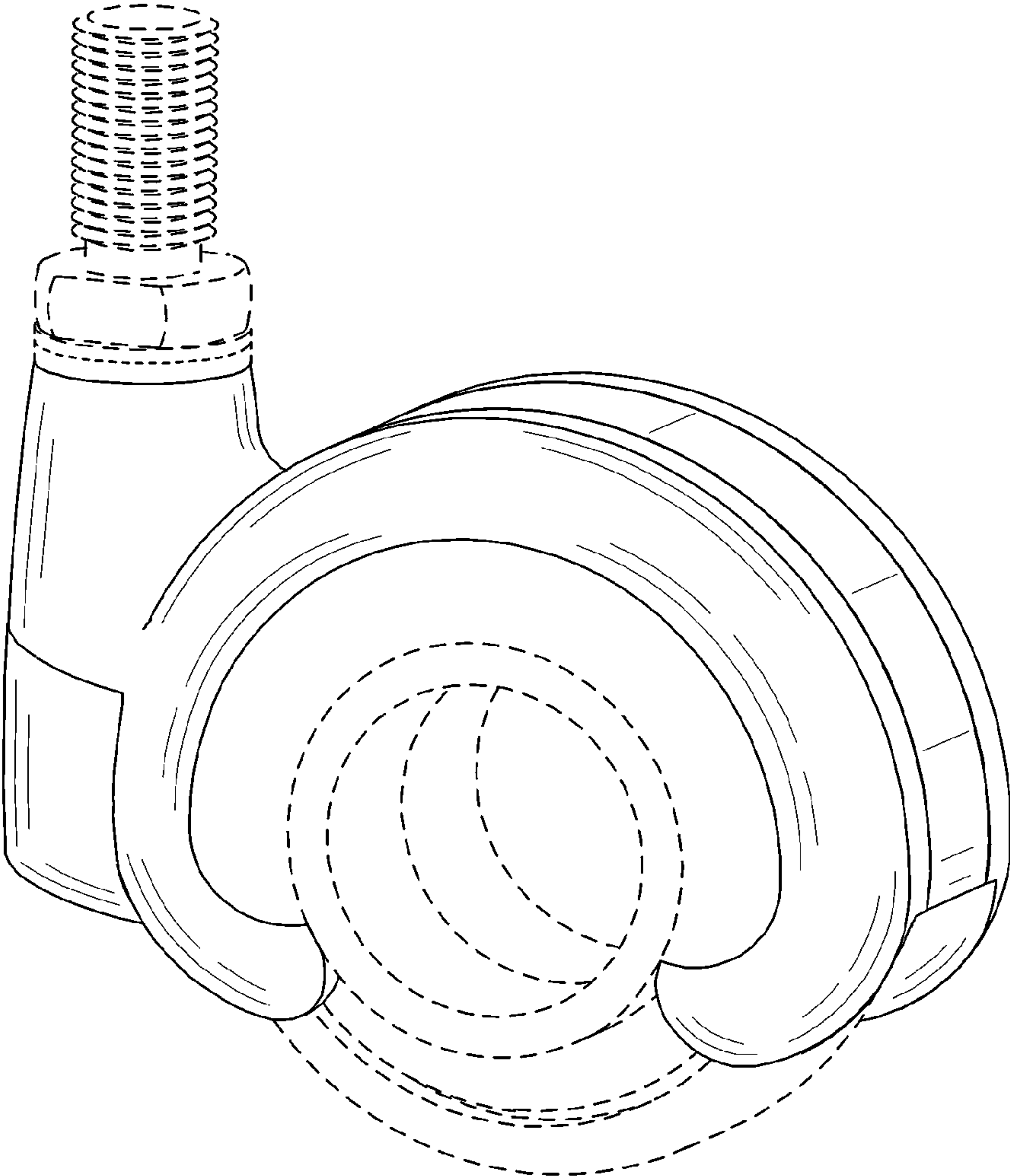


FIG. 2

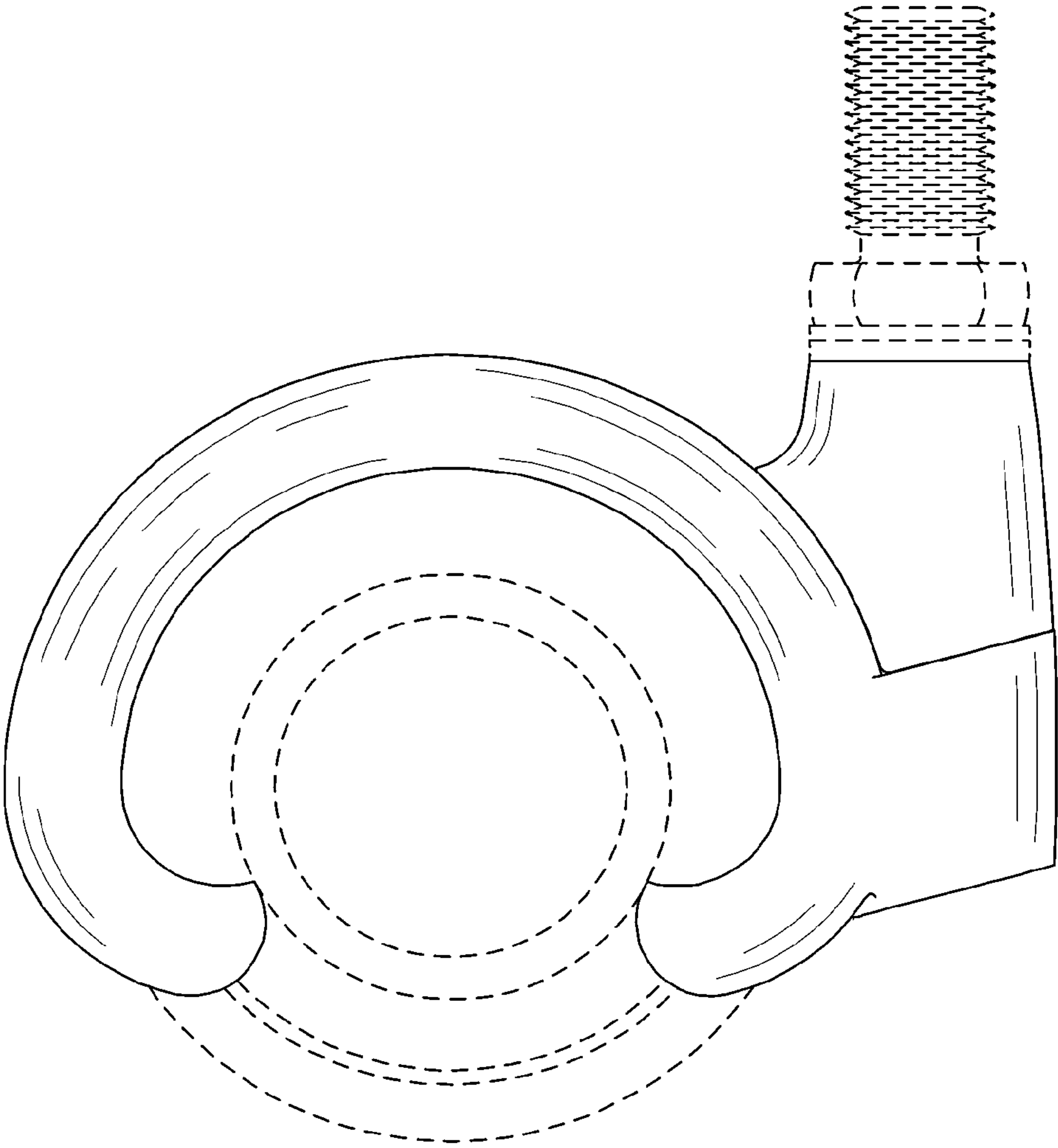
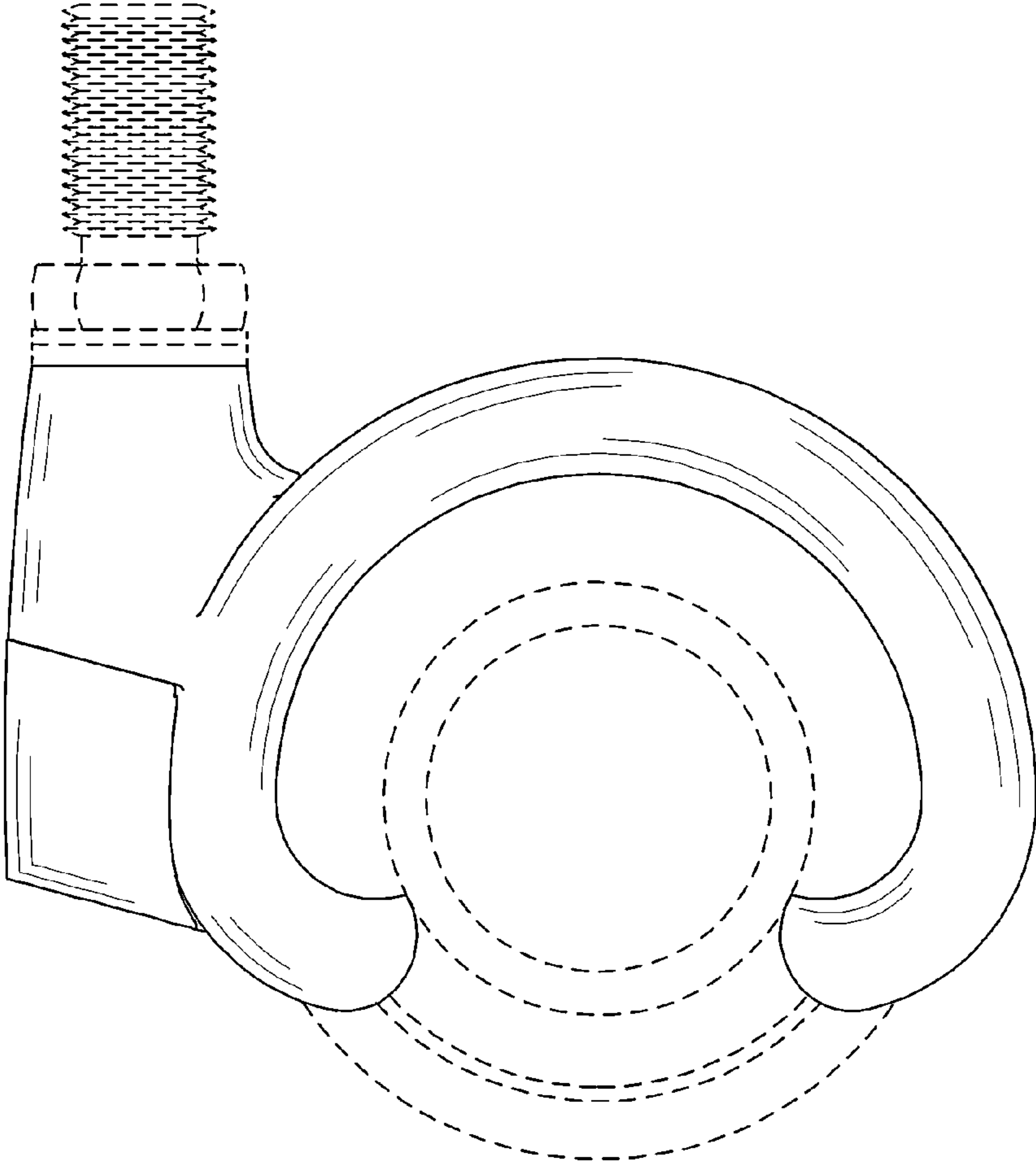


FIG. 3



UNITED STATES PATENT AND TRADEMARK OFFICE
CERTIFICATE OF CORRECTION

PATENT NO. : D701,753 S
APPLICATION NO. : 29/434102
DATED : April 1, 2014
INVENTOR(S) : Kubota

Page 1 of 10

It is certified that error appears in the above-identified patent and that said Letters Patent is hereby corrected as shown below:

Please delete patent D701753 in its entirety and insert patent D701753 in its entirety as shown on the attached pages.

Signed and Sealed this
Twenty-sixth Day of May, 2015



Michelle K. Lee
Director of the United States Patent and Trademark Office

(12) **United States Design Patent**
Kubota

(10) **Patent No.:** **US D701,753 S**
(45) **Date of Patent:** **** Apr. 1, 2014**

(54) **CASTER**

FOREIGN PATENT DOCUMENTS

(71) Applicant: **Harunobu Kubota**, Chiyoda-ku (JP)

JP D450214 6/1977

(72) Inventor: **Harunobu Kubota**, Chiyoda-ku (JP)

JP D480186 7/1978

JP D480186 8/1978

(73) Assignee: **Sugatsune Kogyo Co., Ltd.**,
Chiyoda-Ku (JP)

* cited by examiner

(**) Term: **14 Years**

Primary Examiner — Robert M Spear

Assistant Examiner — Eliza Bennett-Hattan

(21) Appl. No.: **29/434,102**

(74) *Attorney, Agent, or Firm* — Masuvalley & Partners

(22) Filed: **Oct. 9, 2012**

(57) **CLAIM**

The ornamental design for a caster, as shown and described.

(30) **Foreign Application Priority Data**

DESCRIPTION

Apr. 11, 2012 (JP) 2012-008532

(51) **LOC (10) Cl.** **08-05**

(52) **U.S. Cl.**

USPC **D8/375**

(58) **Field of Classification Search**

USPC D8/354, 375; 16/35 R, 18 R, 35 D, 45,
16/46, 29; D3/318; D34/27

See application file for complete search history.

FIG. 1 is a perspective view of the caster according to the invention;

FIG. 2 is a right side elevation view of the caster of FIG. 1;

FIG. 3 is a left side elevation view of the caster of FIG. 1;

FIG. 4 is a front elevation view of the caster according of FIG. 1;

FIG. 5 is a rear elevation view of the caster of FIG. 1;

FIG. 6 is a top plan view of the caster of FIG. 1;

FIG. 7 is a bottom plan view of the caster of FIG. 1; and,

FIG. 8 is a cross-sectional view of the caster through line 8-8 shown in FIG. 4.

The broken line disclosure depicts environmental subject matter only and forms no part of the claimed invention.

(56) **References Cited**

U.S. PATENT DOCUMENTS

D239,433 S * 4/1976 Sugawara D8/375
3,977,040 A * 8/1976 Sugawara 16/45

1 Claim, 8 Drawing Sheets

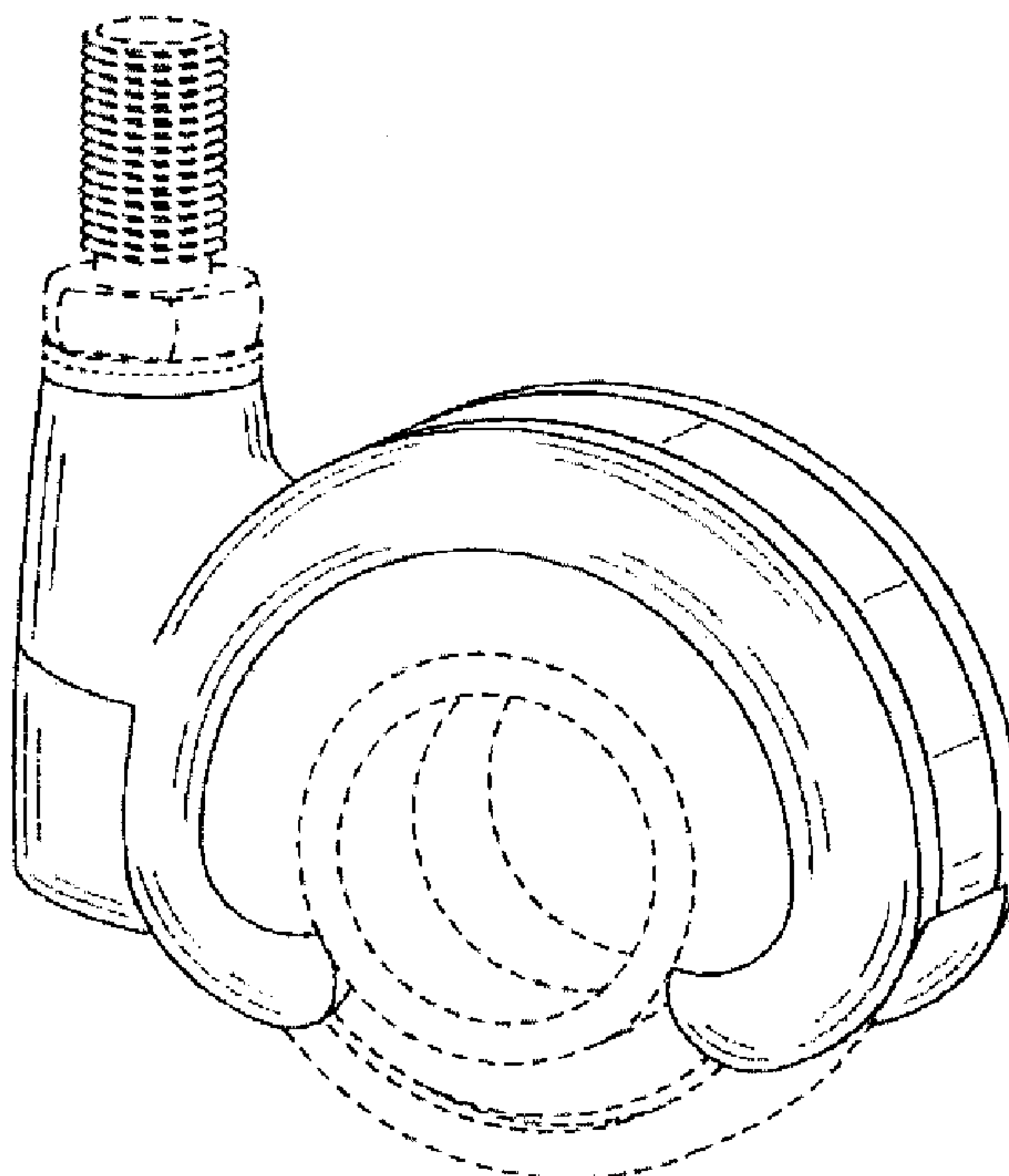


FIG. 1

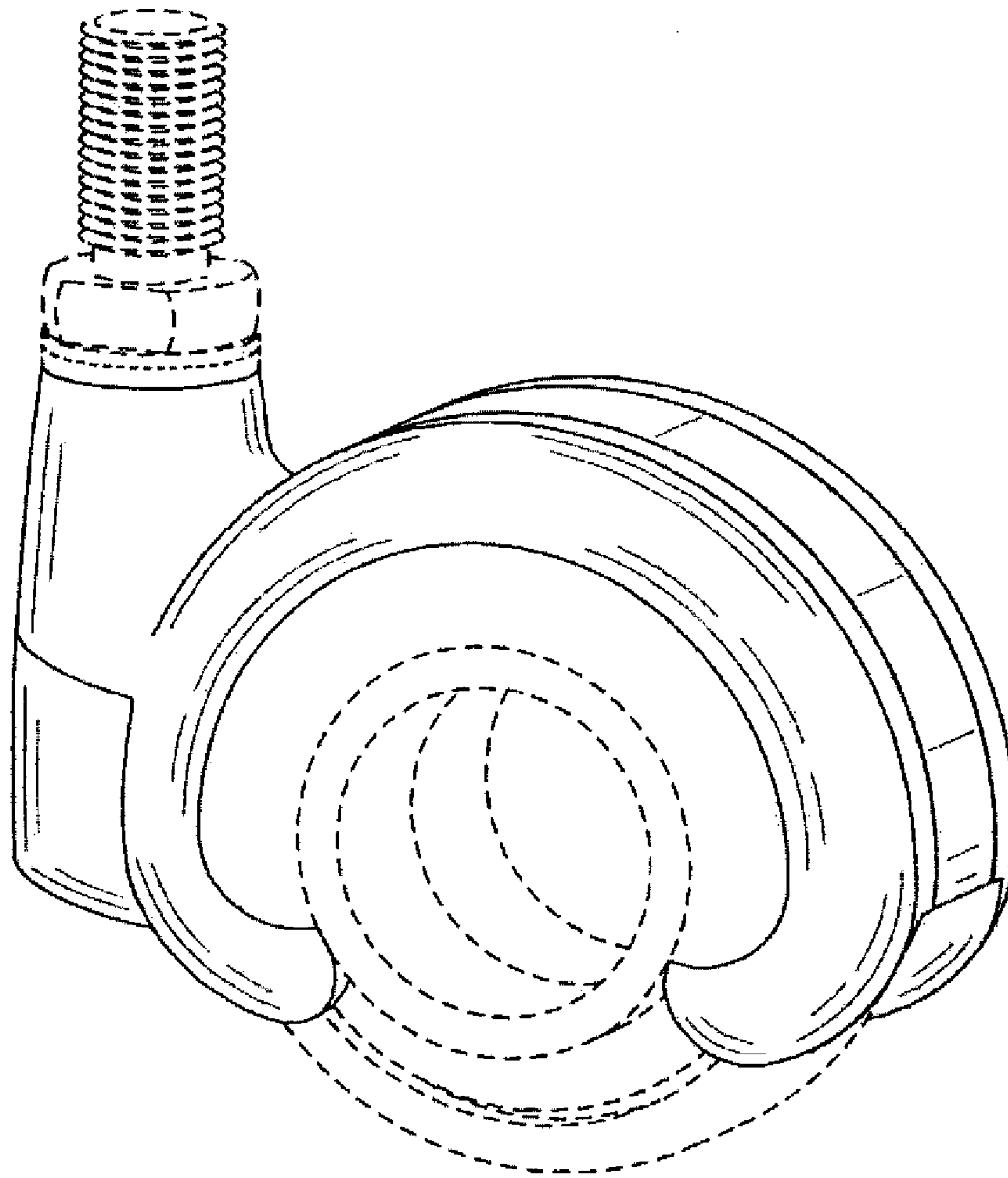


FIG. 2

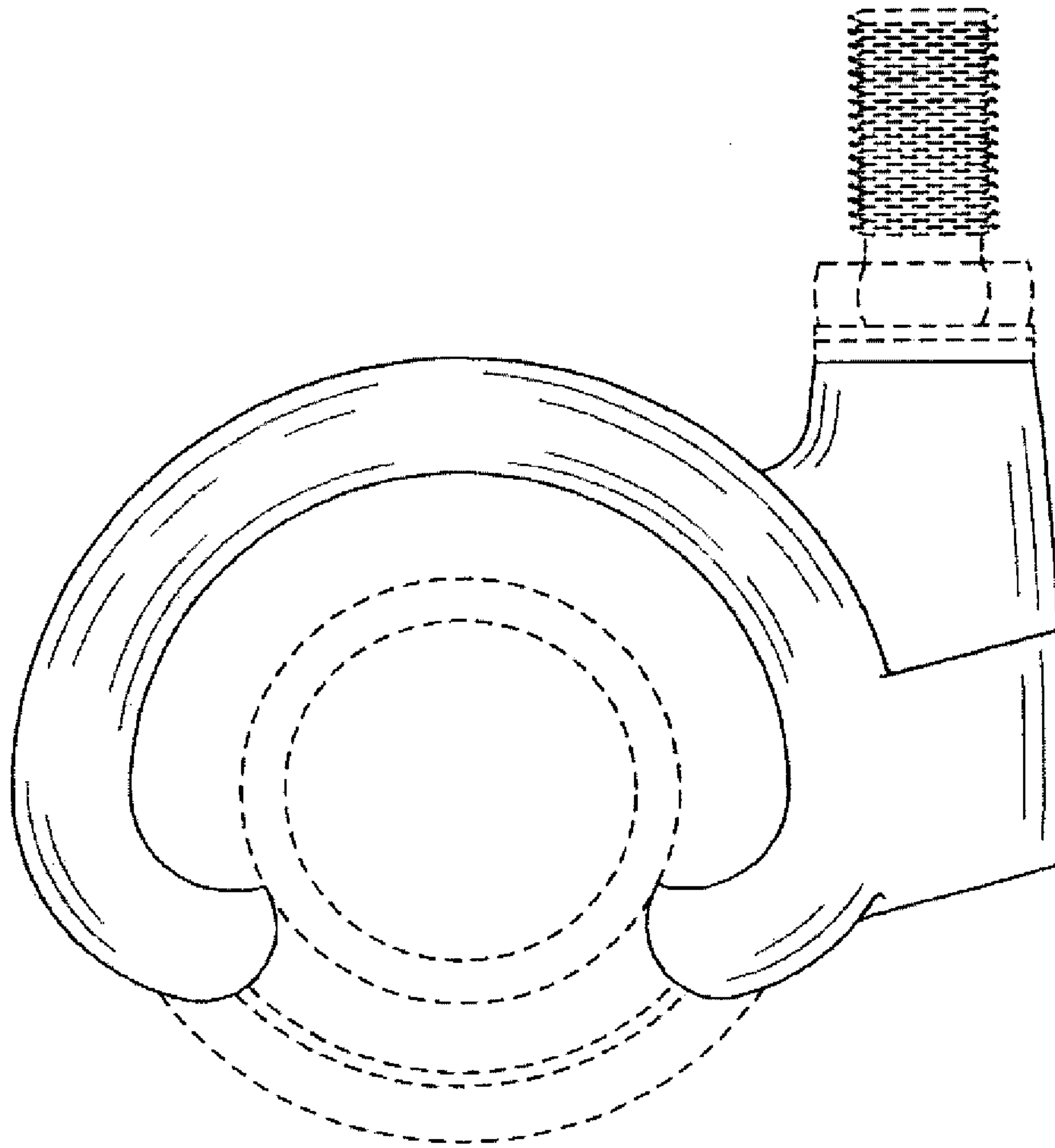


FIG. 3

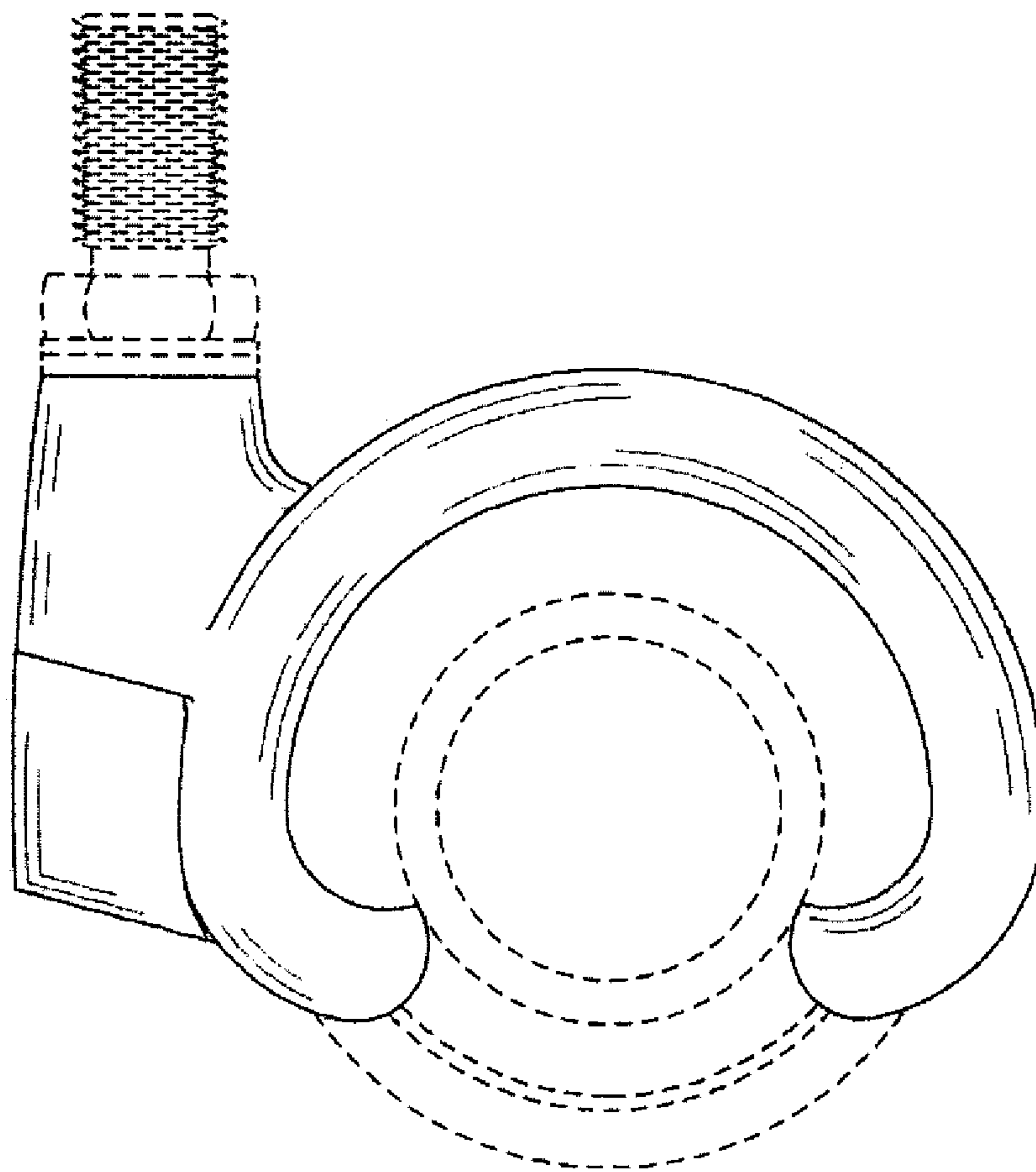


FIG. 4

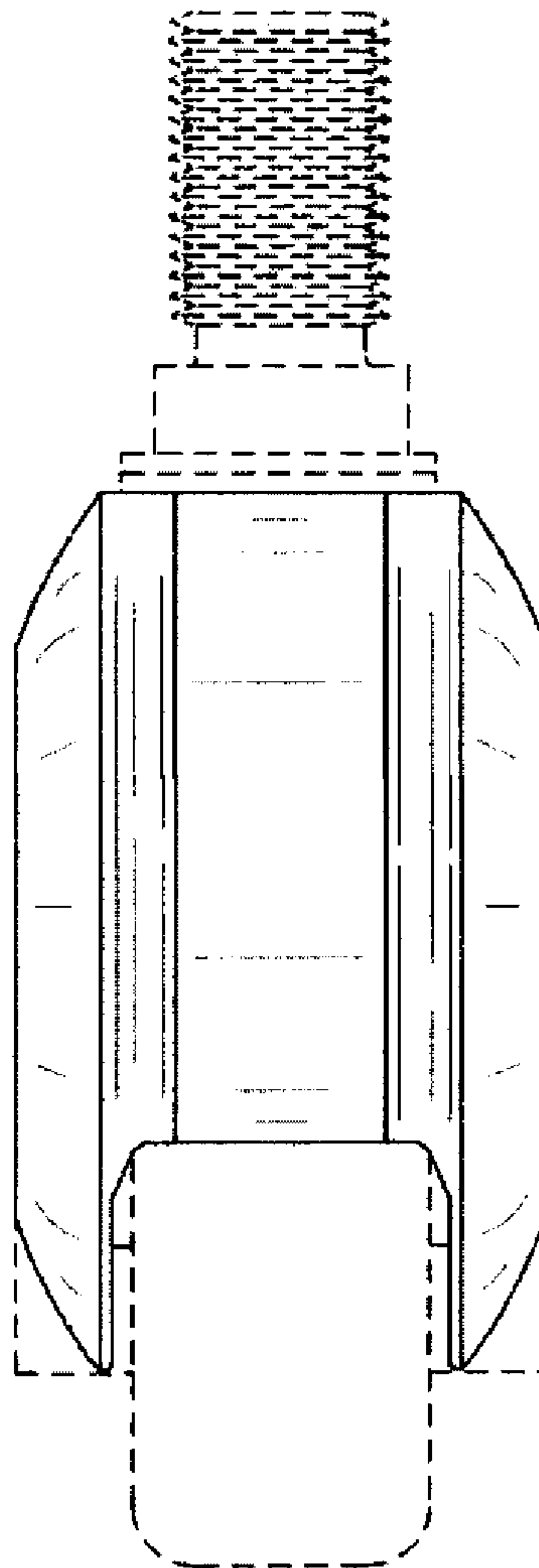


FIG. 5

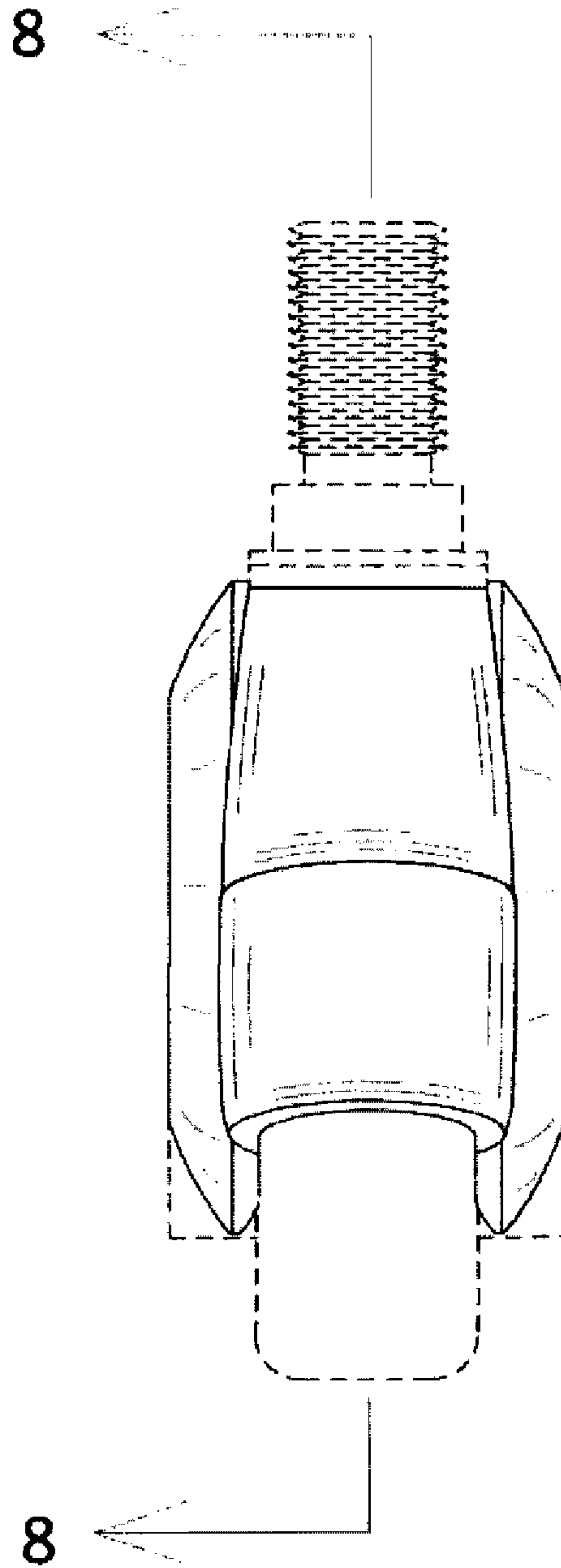


FIG. 6

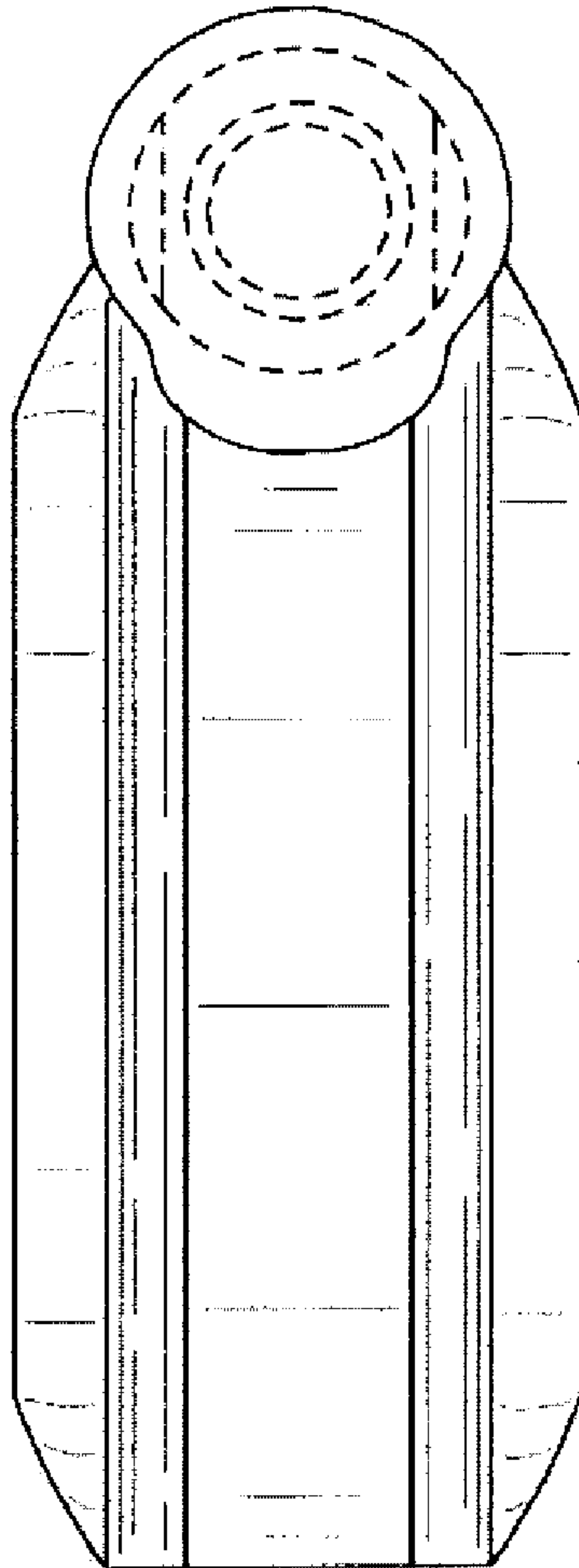


FIG. 7

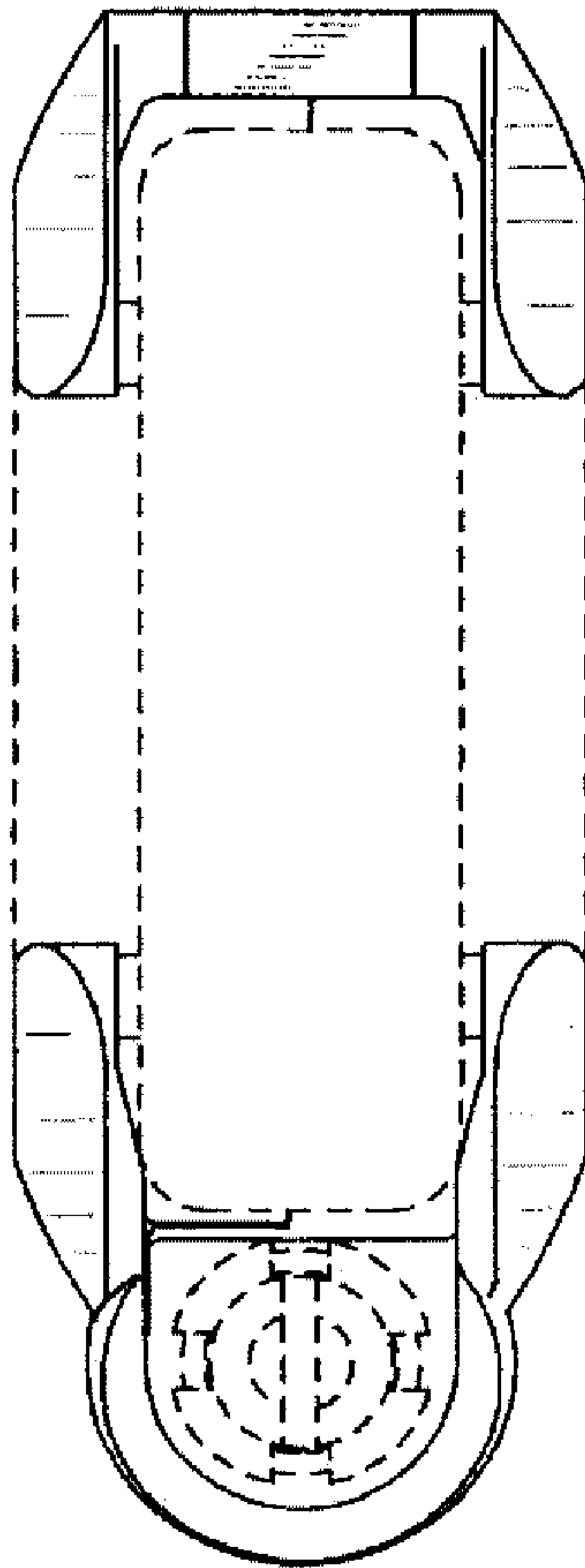


FIG. 8

