



US00D701752S

(12) **United States Design Patent**
Lozano

(10) **Patent No.:** **US D701,752 S**
(45) **Date of Patent:** **** Apr. 1, 2014**

- (54) **HOOK**
- (75) Inventor: **Michael Lozano**, Chicago, IL (US)
- (73) Assignee: **Liberty Hardware Mfg. Corp.**,
Winston-Salem, NC (US)
- (**) Term: **14 Years**
- (21) Appl. No.: **29/420,944**
- (22) Filed: **May 15, 2012**
- (51) **LOC (10) Cl.** **08-05**
- (52) **U.S. Cl.**
USPC **D8/370**
- (58) **Field of Classification Search**
USPC D8/370; 24/67.3; 248/302–303
See application file for complete search history.

- D385,303 S * 10/1997 Anders D19/65
- D388,462 S * 12/1997 Shyu D19/65
- D649,441 S * 11/2011 Griffin D8/370
- D668,529 S * 10/2012 Harris D8/370

* cited by examiner

Primary Examiner — Holly Baynham

(74) *Attorney, Agent, or Firm* — Lora J. Graentzdoerffer

(57) **CLAIM**

The ornamental design for a hook, as shown and described.

DESCRIPTION

FIG. 1 is a perspective view of a hook showing my design;
FIG. 2 is a right side elevational view;
FIG. 3 is a left side elevational view;
FIG. 4 is a top plan view;
FIG. 5 is a bottom plan view;
FIG. 6 is a front elevational view; and,
FIG. 7 is a rear elevational view.

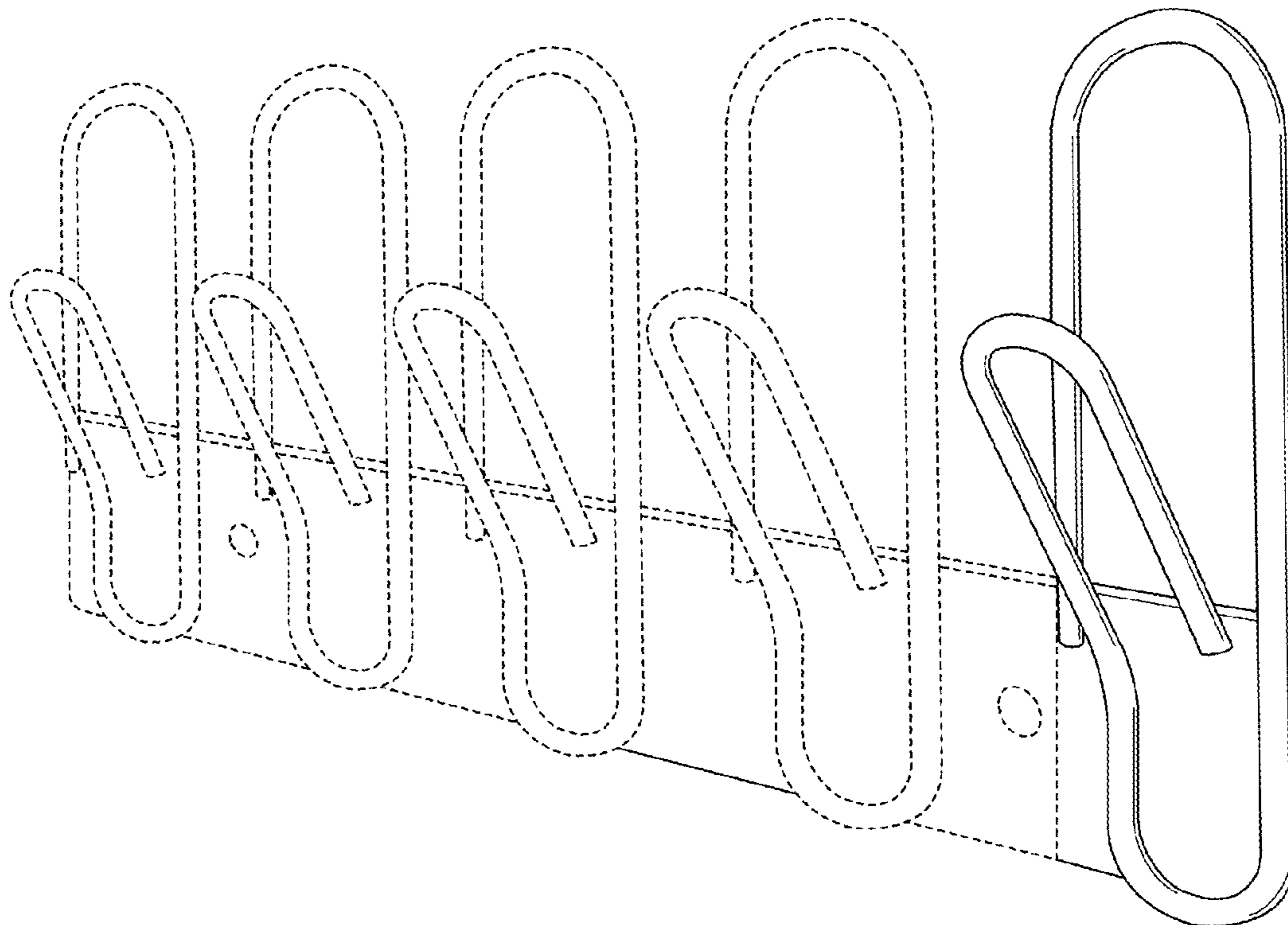
The broken lines showing multiple hooks, openings and a portion of the support plate are for the purposes of illustrating environment and form no part of the claimed design.

1 Claim, 7 Drawing Sheets

(56) **References Cited**

U.S. PATENT DOCUMENTS

- 1,565,501 A * 12/1925 Robinson, Jr. 24/546
- 3,408,700 A * 11/1968 Chase 24/67.3
- D304,958 S * 12/1989 Gutierrez D19/65
- D383,788 S * 9/1997 Shyu D19/65



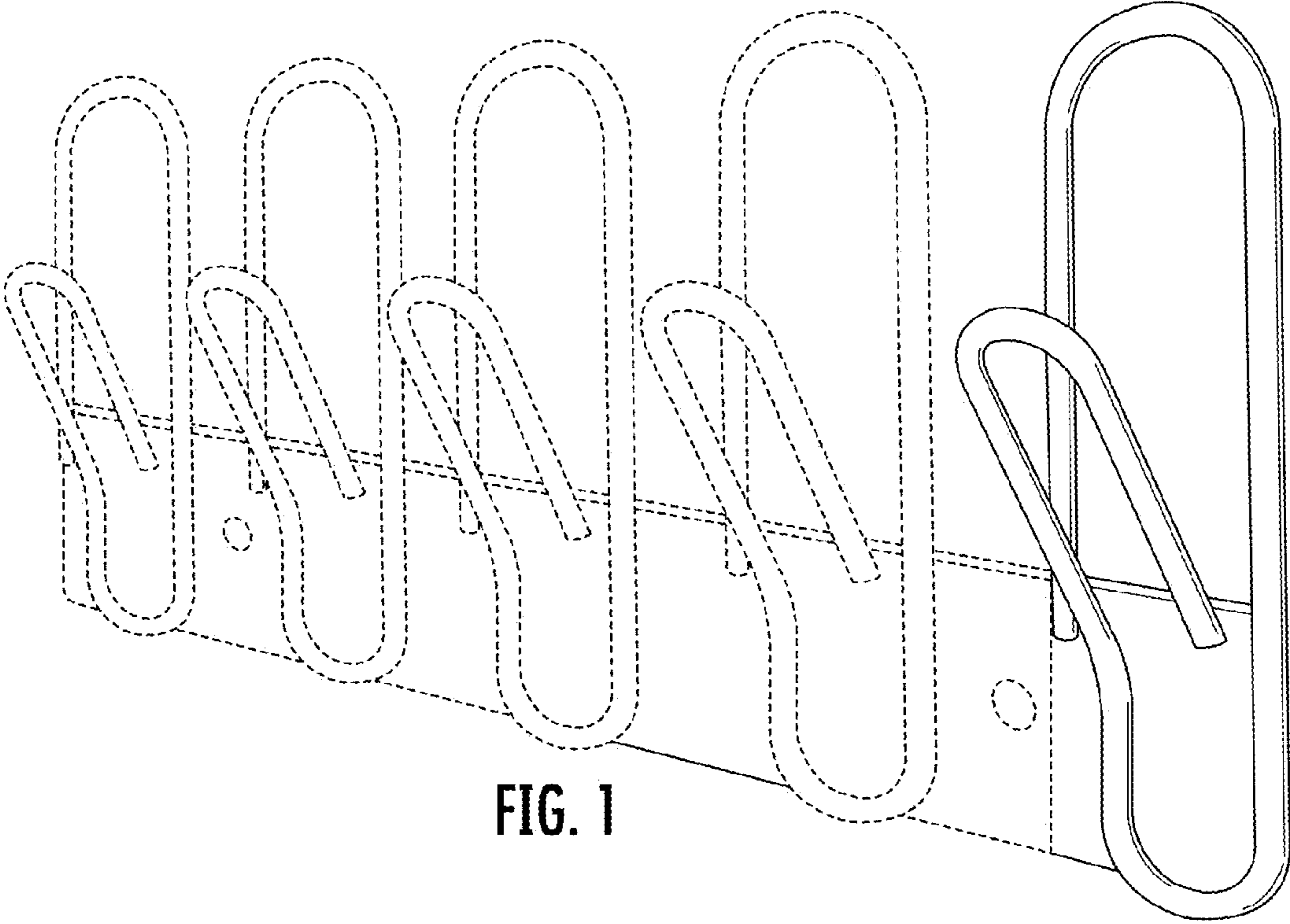


FIG. 1

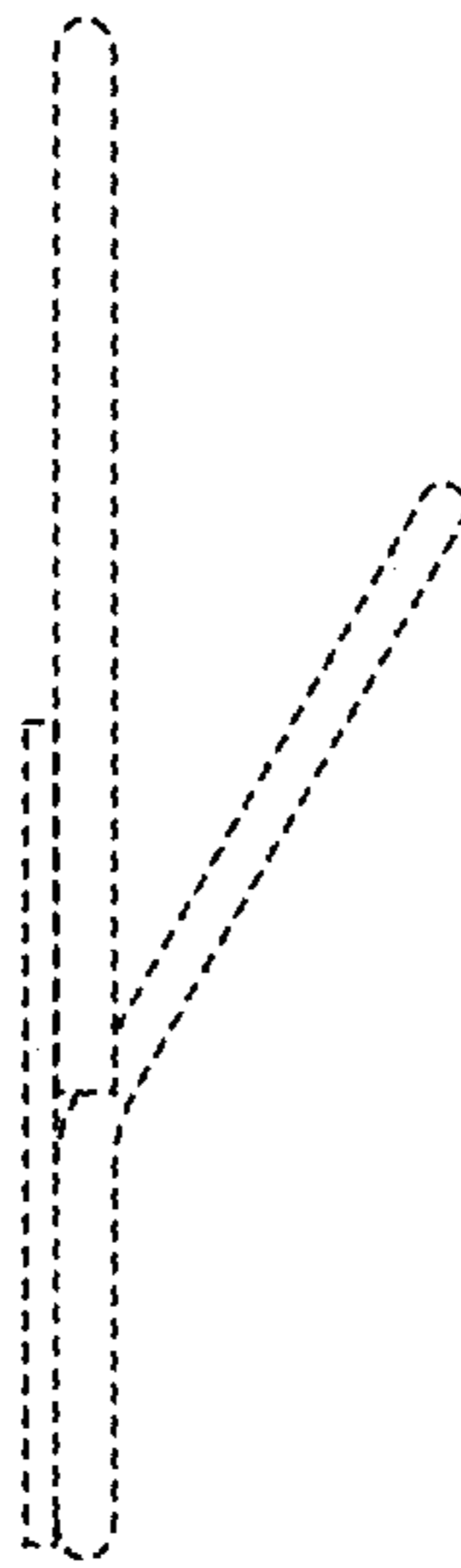


FIG. 2

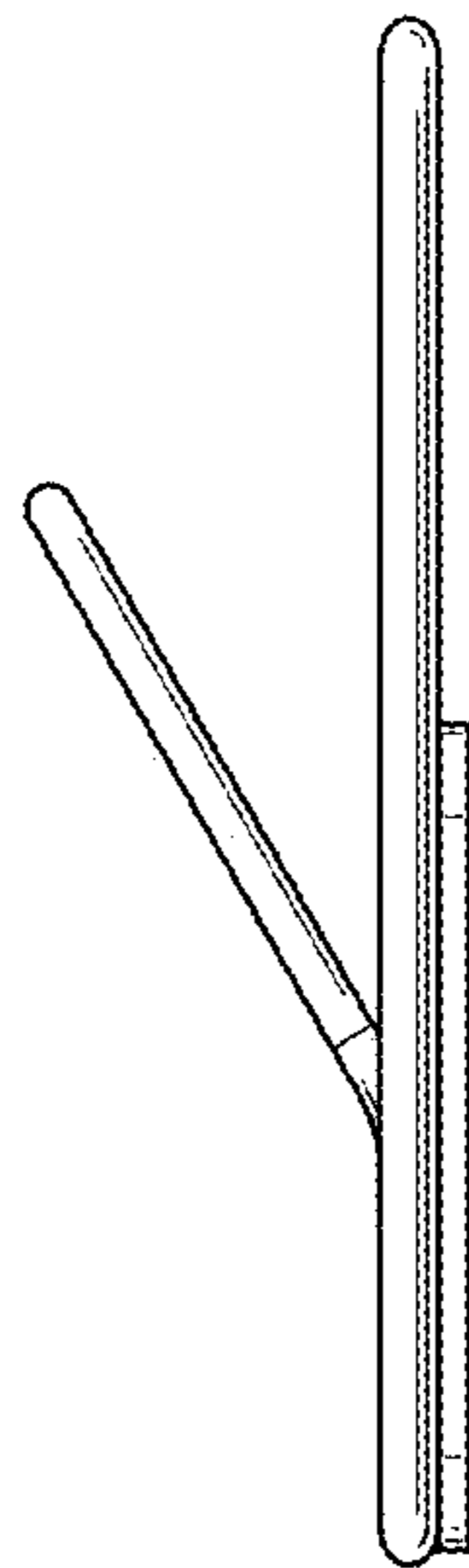


FIG. 3

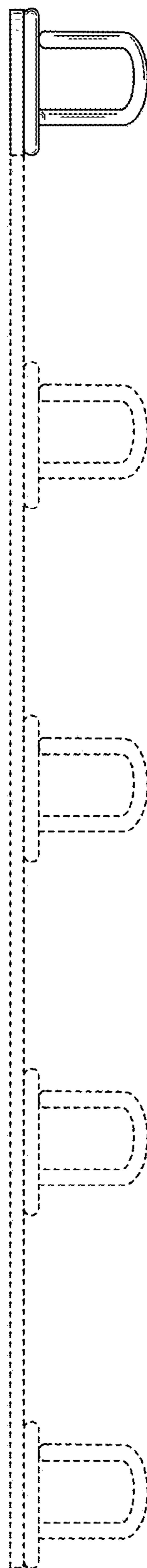


FIG. 4

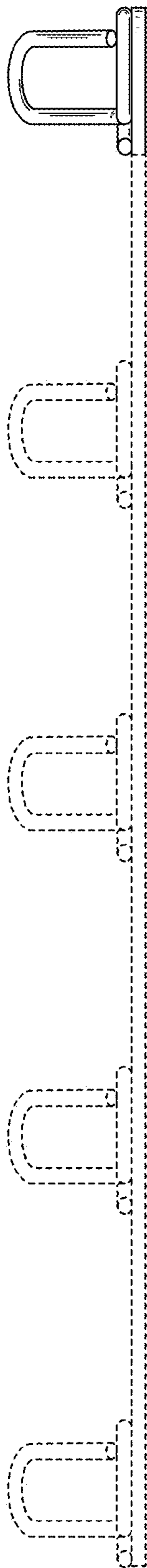


FIG. 5

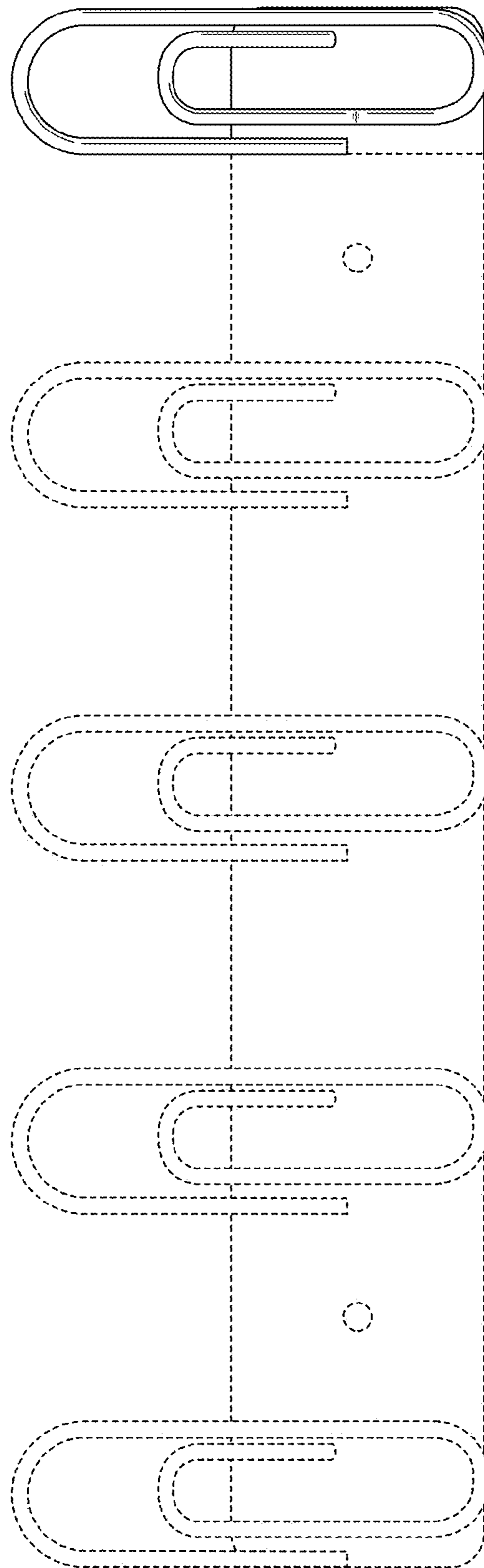


FIG. 6

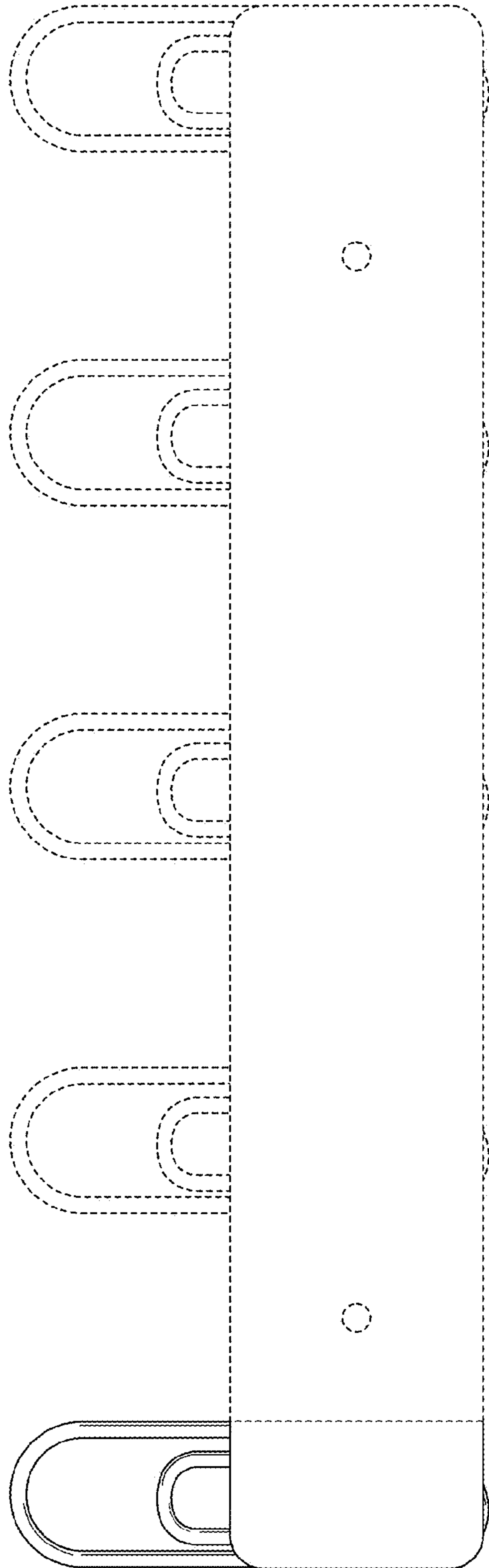


FIG. 7