



US00D701750S

(12) **United States Design Patent**  
**Weinberg**

(10) **Patent No.:** **US D701,750 S**  
(45) **Date of Patent:** **\*\* Apr. 1, 2014**

- (54) **CORD MANAGEMENT CLIP**
- (75) Inventor: **Robert Weinberg**, Spring Grove, IL (US)
- (73) Assignee: **Allegiance Corporation**, McGaw Park, IL (US)
- (\*\*) Term: **14 Years**
- (21) Appl. No.: **29/427,132**
- (22) Filed: **Jul. 13, 2012**
- (51) **LOC (10) Cl.** ..... **08-05**
- (52) **U.S. Cl.**  
USPC ..... **D8/356**
- (58) **Field of Classification Search**  
USPC ..... 24/592.11, 599.1, 588.1, 601.5, 601, 24/599.9, 598.1, 599.6, 452, 599.129 R, 24/600.9; D8/356, 354, 372, 367, 1, 382, D8/395, 360.1; 63/8, 7, 12, 15, 1.14; D12/317; D6/323; 248/301-304, 175, 248/63; 70/59; 402/35; 114/218, 114; 294/137, 158, 82.19; 410/101; 182/3; D11/210; D9/752; D19/32; D3/207  
See application file for complete search history.

(56) **References Cited**

**U.S. PATENT DOCUMENTS**

- 437,380 A \* 9/1890 Lundborg ..... 24/600.9
- 2,064,133 A \* 12/1936 Von Schroeder ..... 248/214

(Continued)

*Primary Examiner* — Cynthia Underwood

(74) *Attorney, Agent, or Firm* — Arent Fox LLP

(57) **CLAIM**

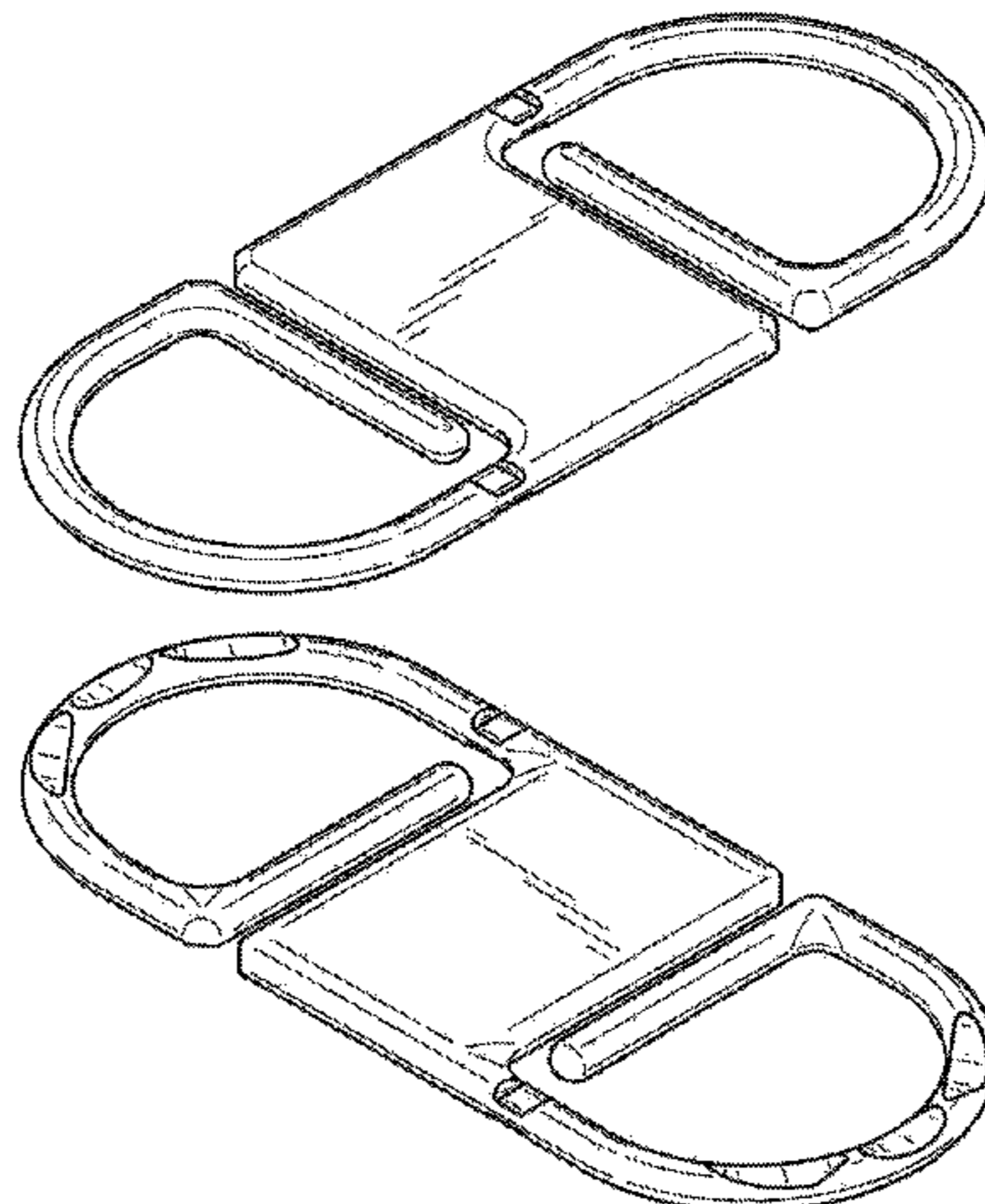
The ornamental design for a cord management clip, as shown and described.

**DESCRIPTION**

FIG. 1 is a top perspective view of a cord management clip showing my new design, according to a first embodiment;

FIG. 2 is a bottom perspective view of the design shown in FIG. 1;  
 FIG. 3 is a front view of the design shown in FIG. 1;  
 FIG. 4 is a back view of the design shown in FIG. 1;  
 FIG. 5 is a left side view of the design shown in FIG. 1;  
 FIG. 6 is a right side view of the design shown in FIG. 1;  
 FIG. 7 is a top view of the design shown in FIG. 1;  
 FIG. 8 is a bottom view of the design shown in FIG. 1;  
 FIG. 9 is a top perspective view of a cord management clip showing my new design, according to a second embodiment;  
 FIG. 10 is a bottom perspective view of the design shown in FIG. 9;  
 FIG. 11 is a front view of the design shown in FIG. 9;  
 FIG. 12 is a back view of the design shown in FIG. 9;  
 FIG. 13 is a left side view of the design shown in FIG. 9;  
 FIG. 14 is a right side view of the design shown in FIG. 9;  
 FIG. 15 is a top view of the design shown in FIG. 9;  
 FIG. 16 is a bottom view of the design shown in FIG. 9;  
 FIG. 17 is a top perspective view of a cord management clip showing my new design, according to a third embodiment;  
 FIG. 18 is a bottom perspective view of the design shown in FIG. 17;  
 FIG. 19 is a front view of the design shown in FIG. 17;  
 FIG. 20 is a back view of the design shown in FIG. 17;  
 FIG. 21 is a left side view of the design shown in FIG. 17;  
 FIG. 22 is a right side view of the design shown in FIG. 17;  
 FIG. 23 is a top view of the design shown in FIG. 17;  
 FIG. 24 is a bottom view of the design shown in FIG. 17;  
 FIG. 25 is a top perspective view of a cord management clip showing my new design, according to a fourth embodiment;  
 FIG. 26 is a bottom perspective view of the design shown in FIG. 25;  
 FIG. 27 is a front view of the design shown in FIG. 25;  
 FIG. 28 is a back view of the design shown in FIG. 25;  
 FIG. 29 is a left side view of the design shown in FIG. 25;  
 FIG. 30 is a right side view of the design shown in FIG. 25;  
 FIG. 31 is a top view of the design shown in FIG. 25; and,  
 FIG. 32 is a bottom view of the design shown in FIG. 25.

**1 Claim, 12 Drawing Sheets**



(56)

**References Cited**

U.S. PATENT DOCUMENTS

3,630,475 A \* 12/1971 Barry ..... 248/215  
 D244,910 S \* 7/1977 Chasen et al. .... D8/367  
 D271,466 S \* 11/1983 Boissonnet ..... D8/367  
 D292,385 S \* 10/1987 Udelhofen ..... D11/210  
 D323,104 S \* 1/1992 Russell et al. .... D8/370  
 D425,781 S \* 5/2000 Hopper ..... D8/382  
 D466,791 S \* 12/2002 Kelleghan ..... D8/356  
 D468,997 S \* 1/2003 Chang ..... D8/356  
 D493,092 S \* 7/2004 Kalat ..... D8/367  
 7,214,171 B2 \* 5/2007 Thelen et al. .... 482/124  
 D577,574 S \* 9/2008 Liang ..... D8/367  
 D594,738 S \* 6/2009 Kelleghan ..... D8/356

D603,293 S \* 11/2009 Merriam-Smith ..... D11/200  
 D607,712 S \* 1/2010 Kelleghan ..... D8/356  
 D612,710 S \* 3/2010 Kelleghan ..... D8/356  
 D626,393 S \* 11/2010 Ormsbee ..... D8/34  
 D631,332 S \* 1/2011 Bauer et al. .... D8/367  
 D631,333 S \* 1/2011 Bauer et al. .... D8/367  
 D637,473 S \* 5/2011 Mitchell ..... D8/336  
 D646,556 S \* 10/2011 Kelleghan ..... D8/356  
 D669,764 S \* 10/2012 Kelleghan ..... D8/356  
 D684,845 S \* 6/2013 Wood ..... D8/356  
 D686,058 S \* 7/2013 Paik et al. .... D8/356  
 D688,118 S \* 8/2013 Hobson ..... D8/356  
 2005/0087662 A1 \* 4/2005 Jacobs ..... 248/339  
 2007/0119891 A1 \* 5/2007 Lawrence ..... 224/669  
 2009/0000086 A1 \* 1/2009 Bing ..... 24/592.11

\* cited by examiner

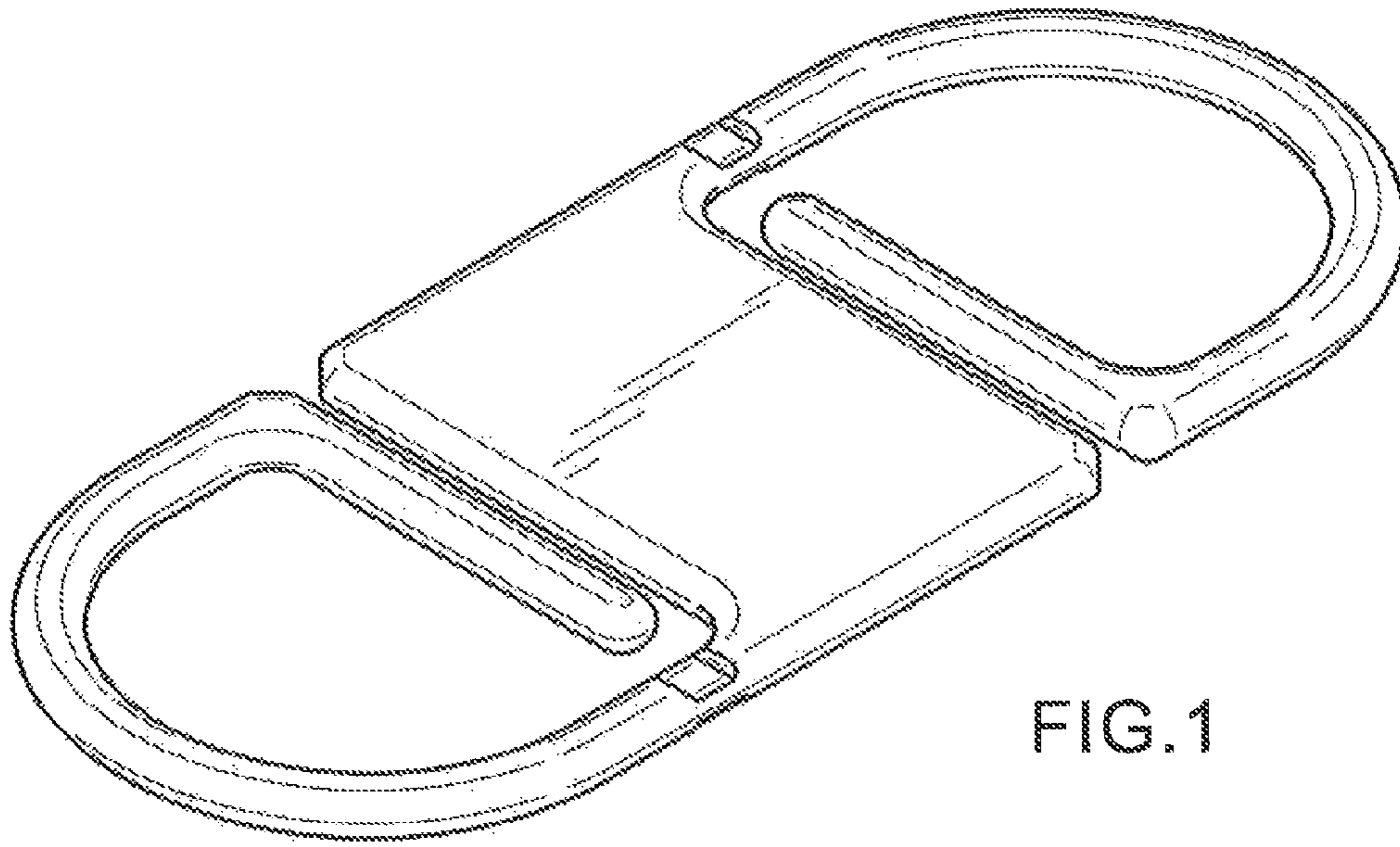


FIG. 1

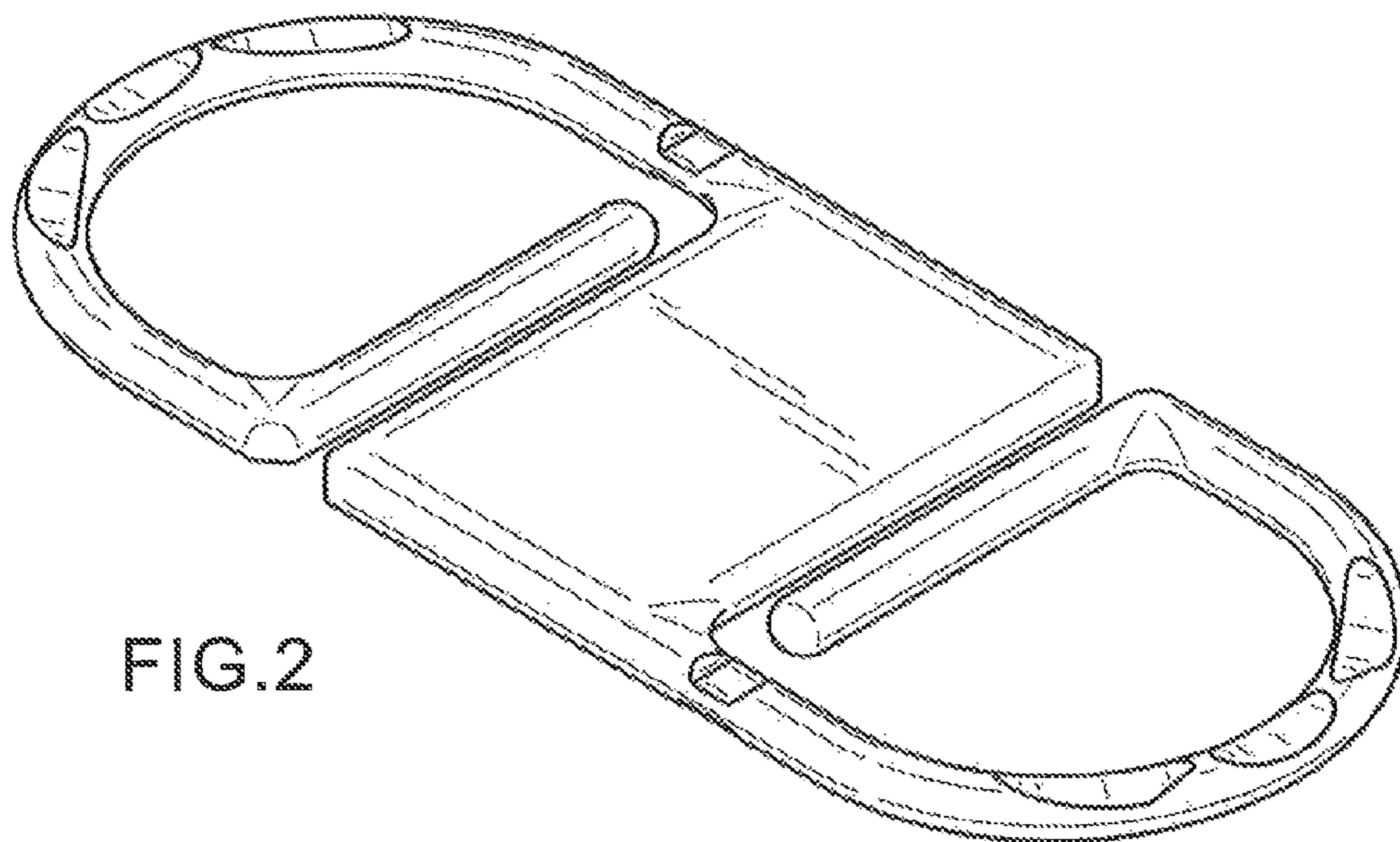


FIG. 2



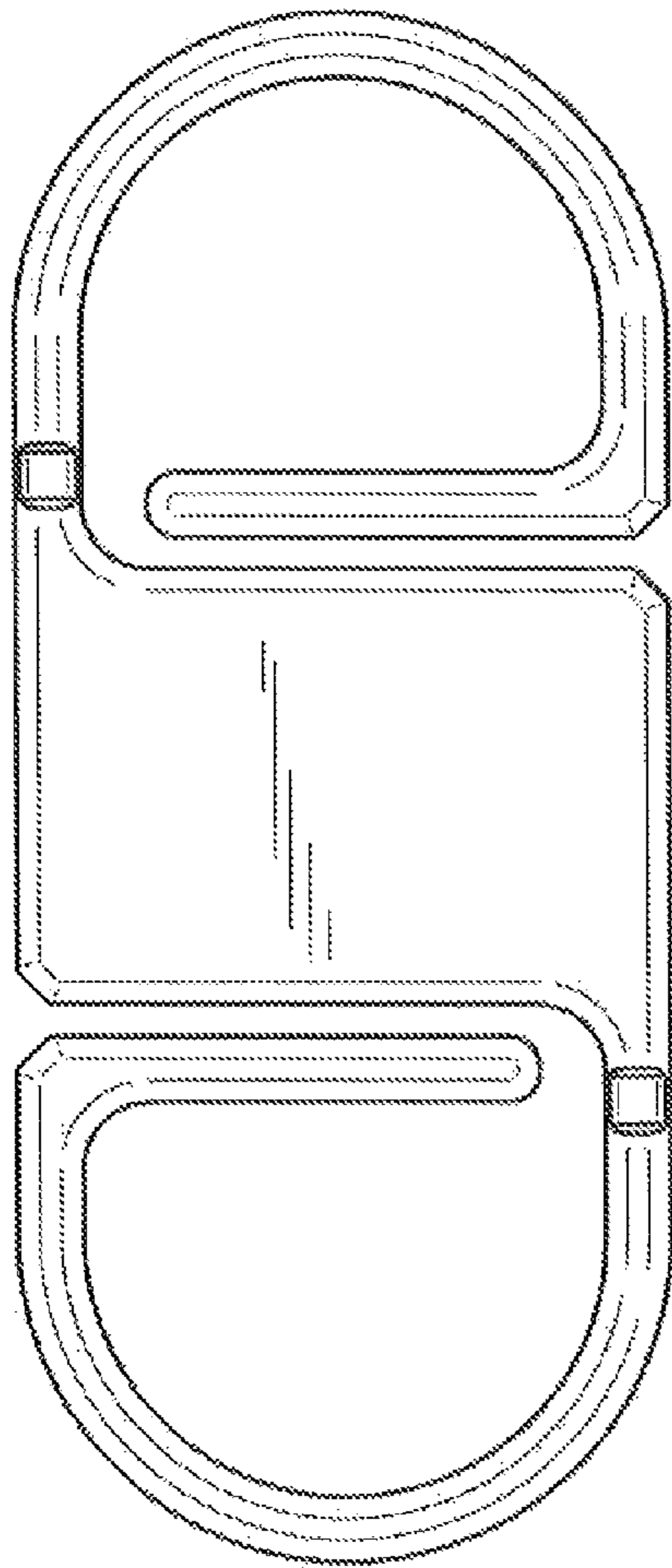


FIG.3

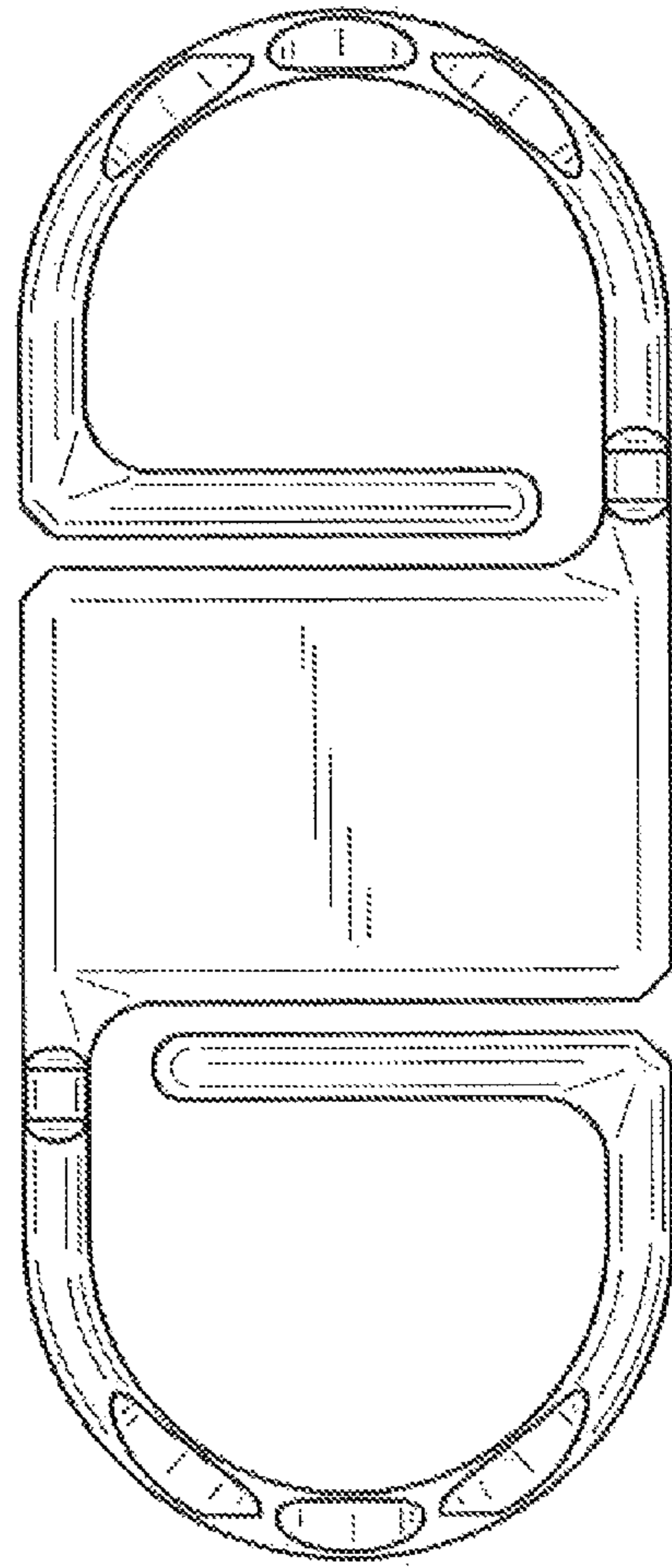


FIG.4

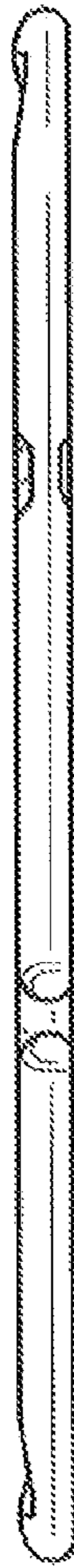


FIG. 5

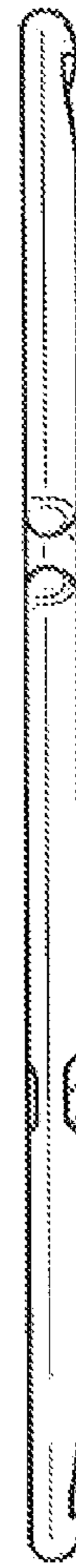


FIG. 6

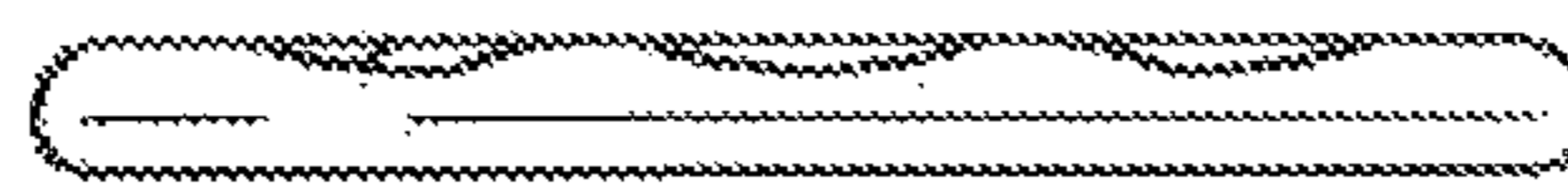


FIG. 7

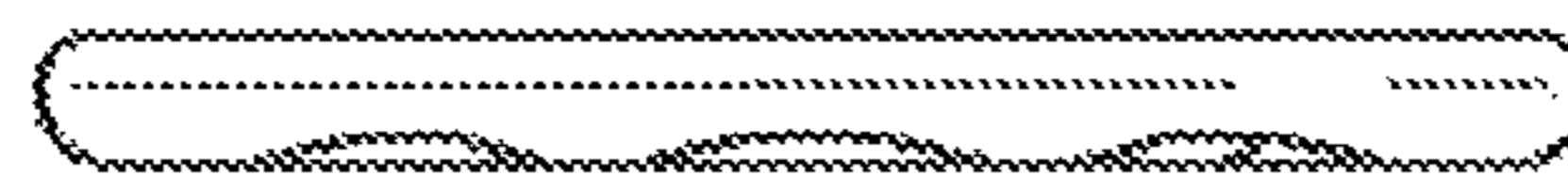
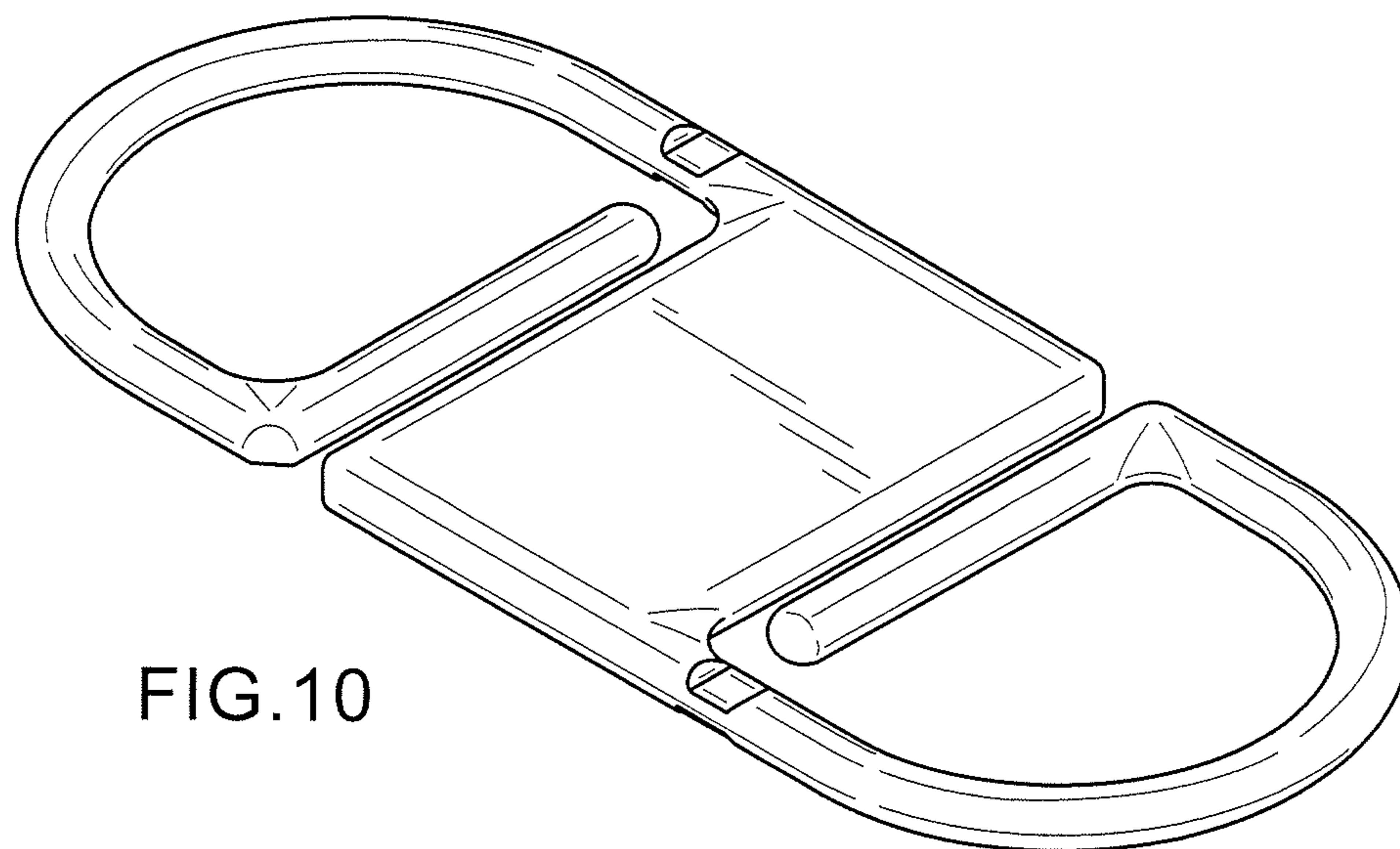
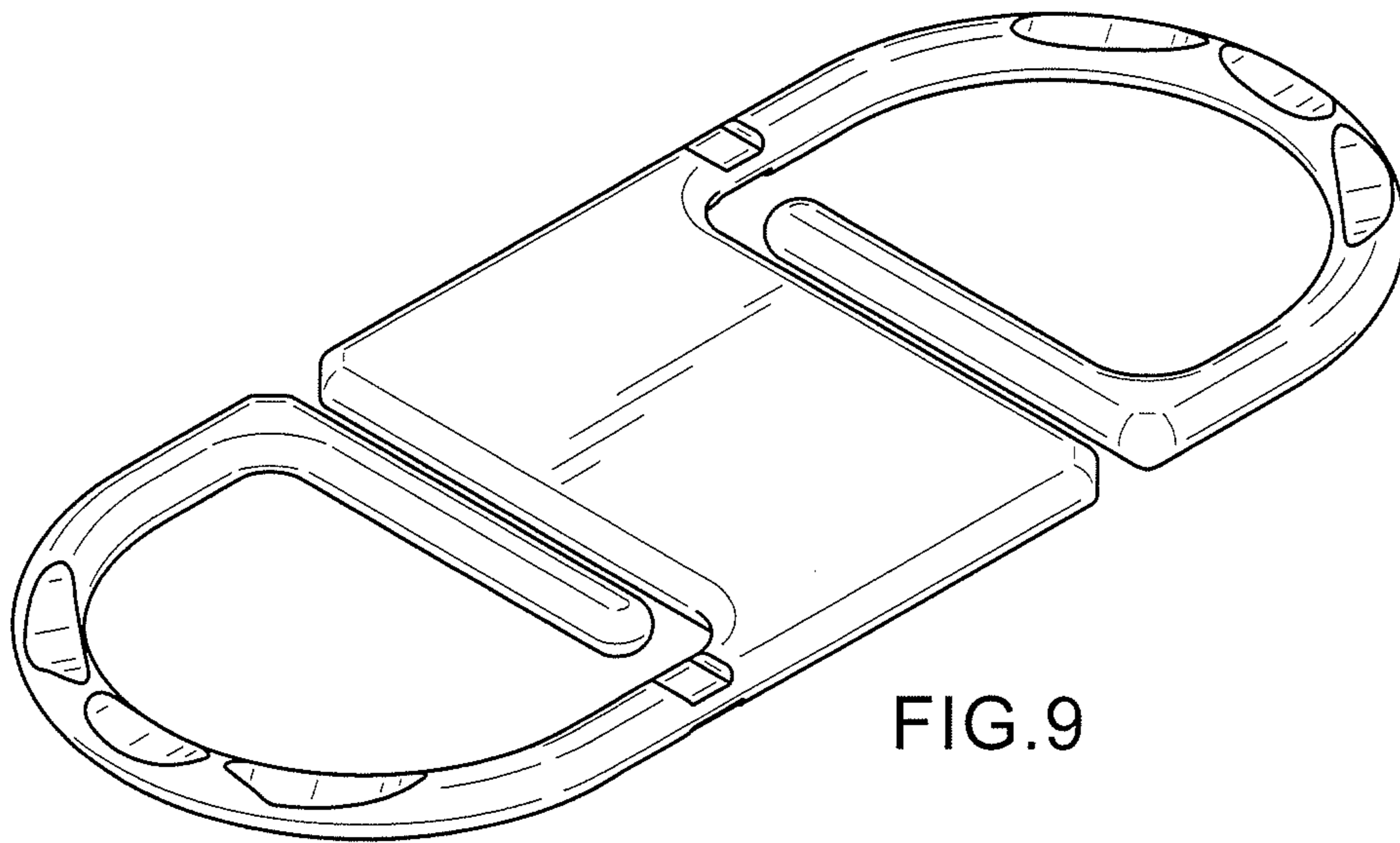


FIG. 8



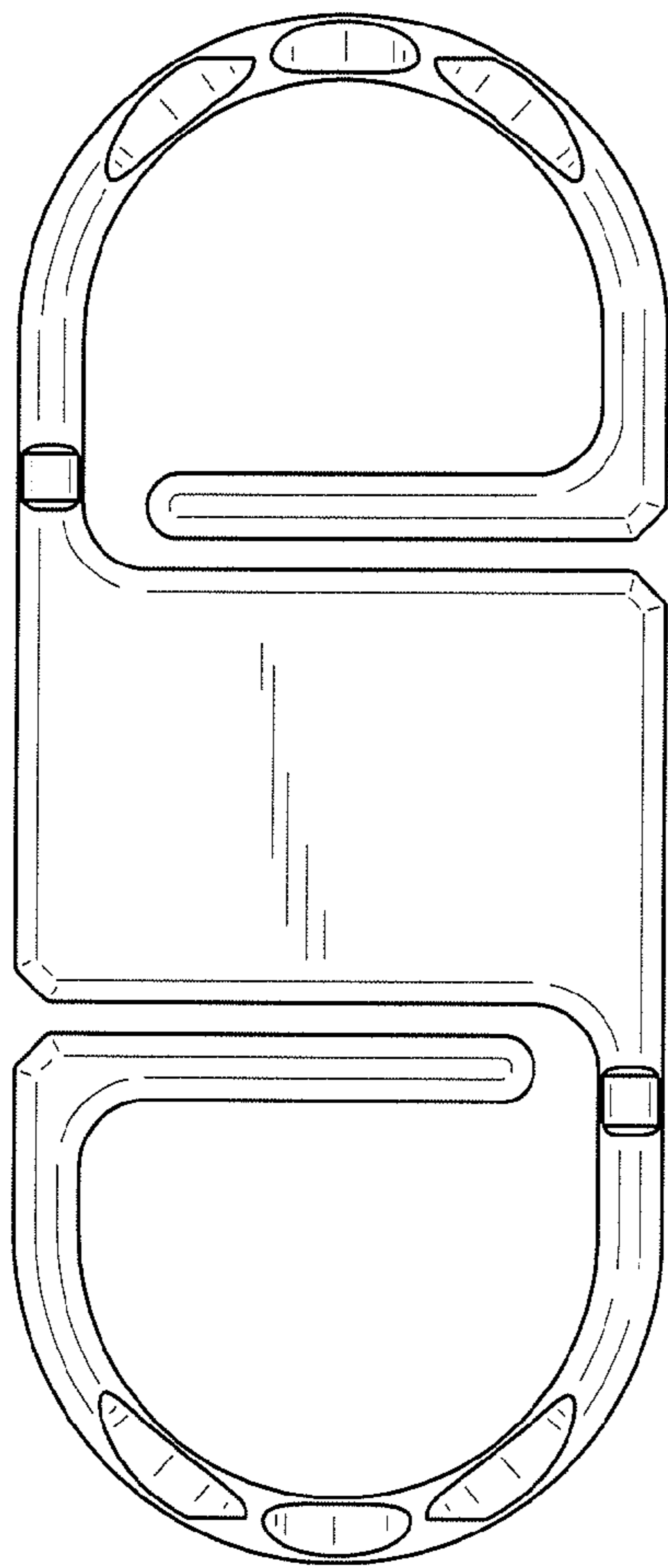


FIG. 11

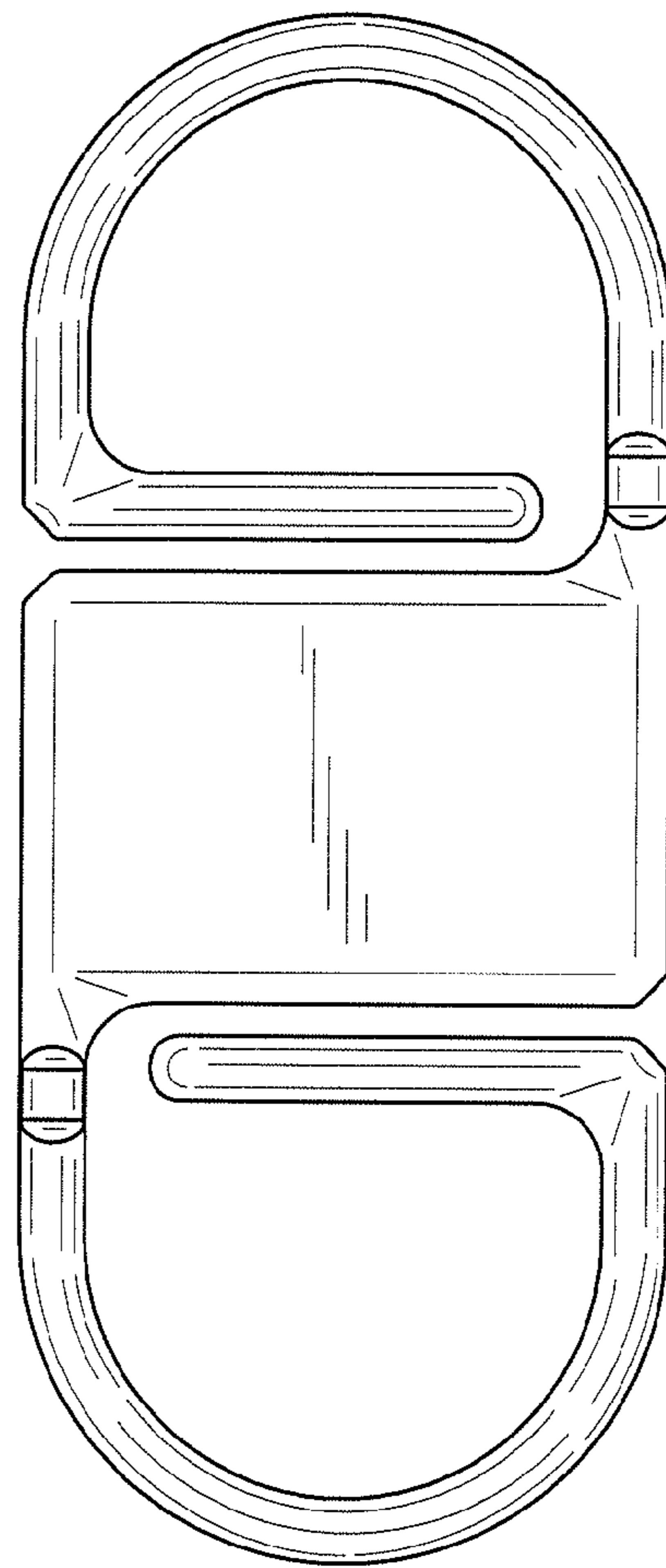


FIG. 12



FIG. 13



FIG. 14

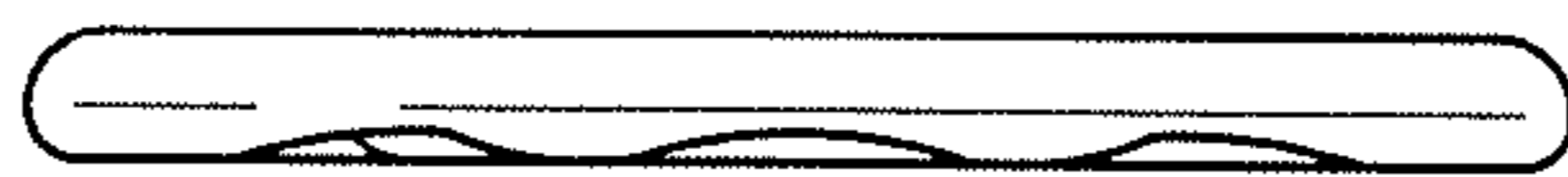
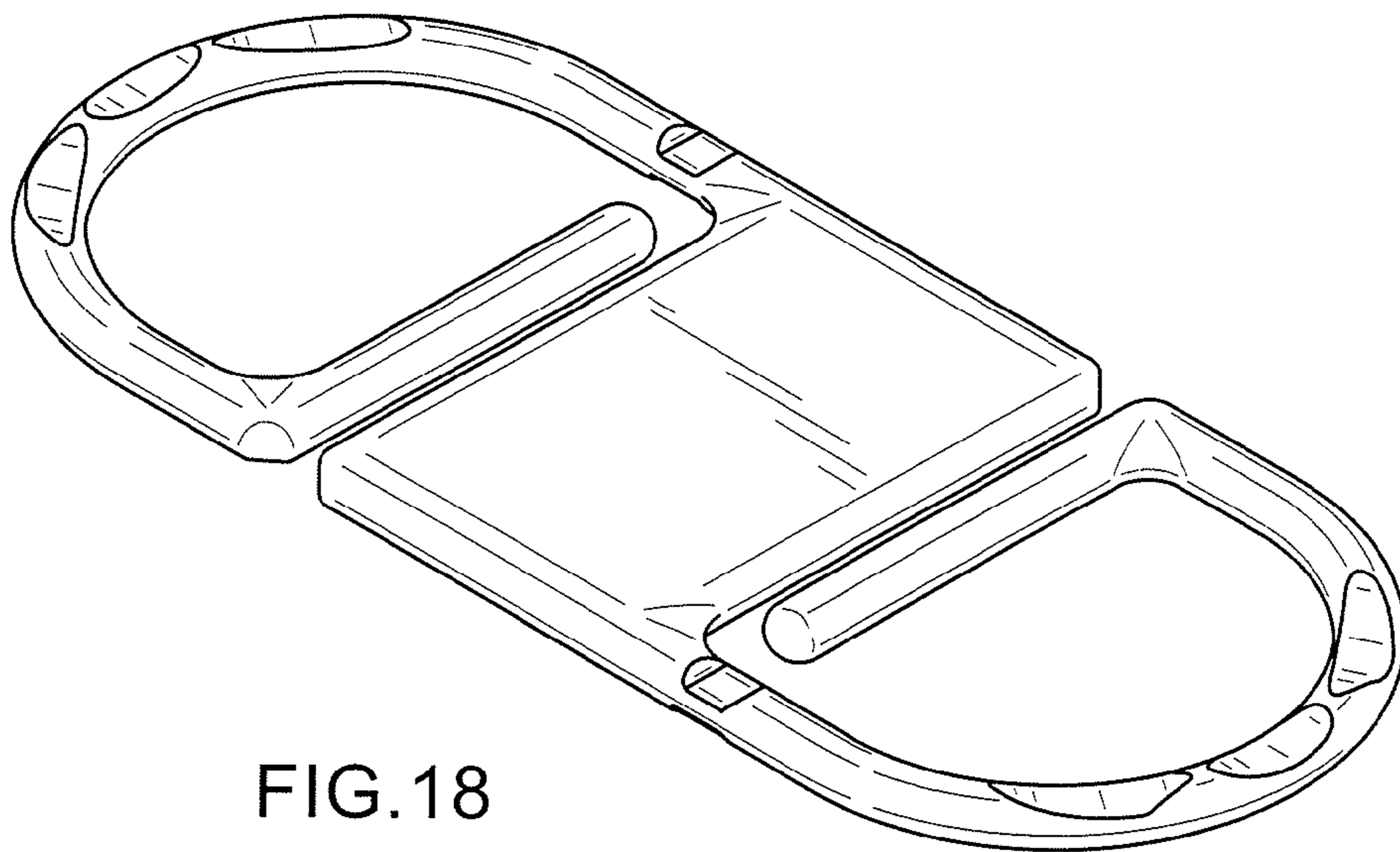
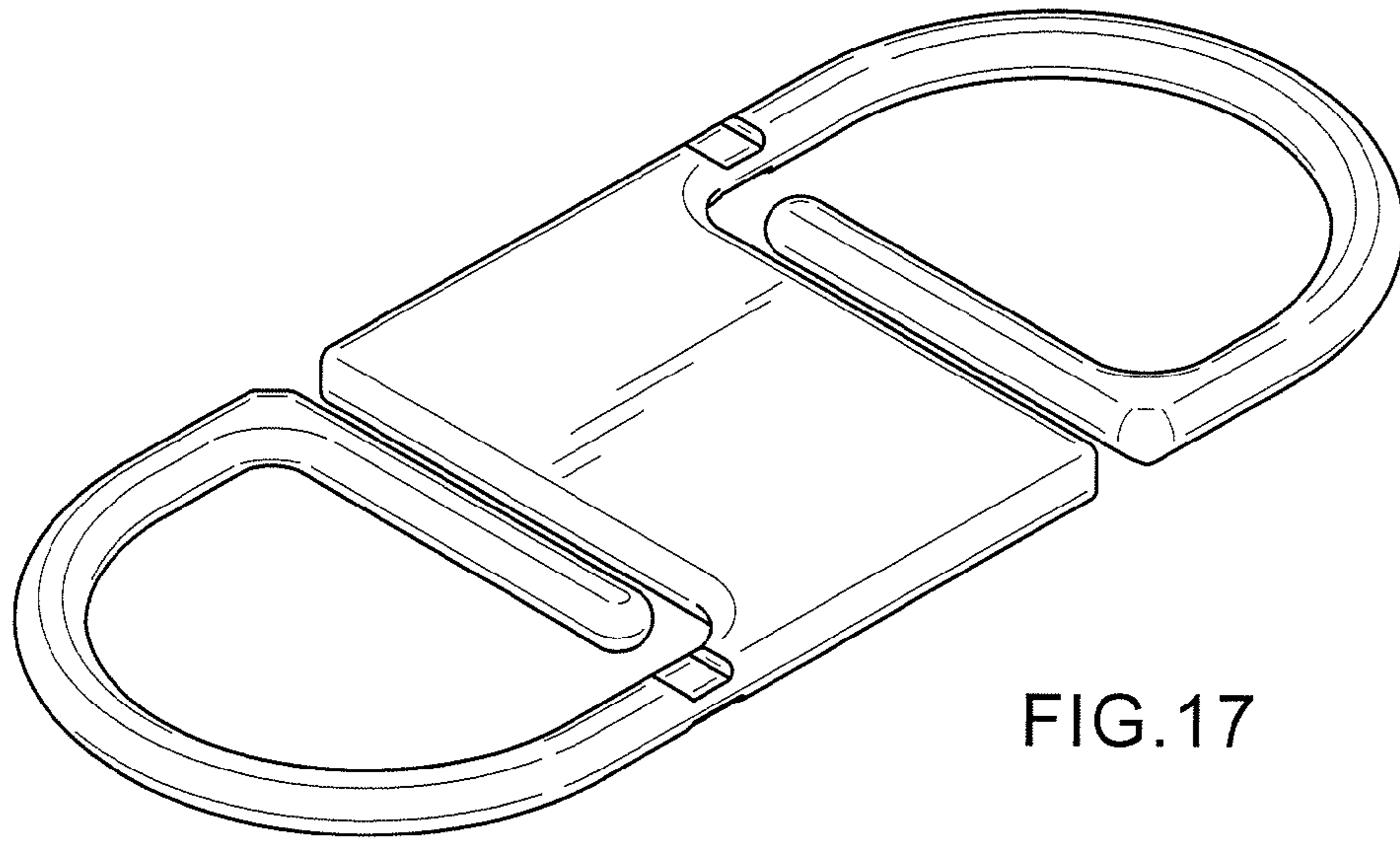


FIG. 15



FIG. 16





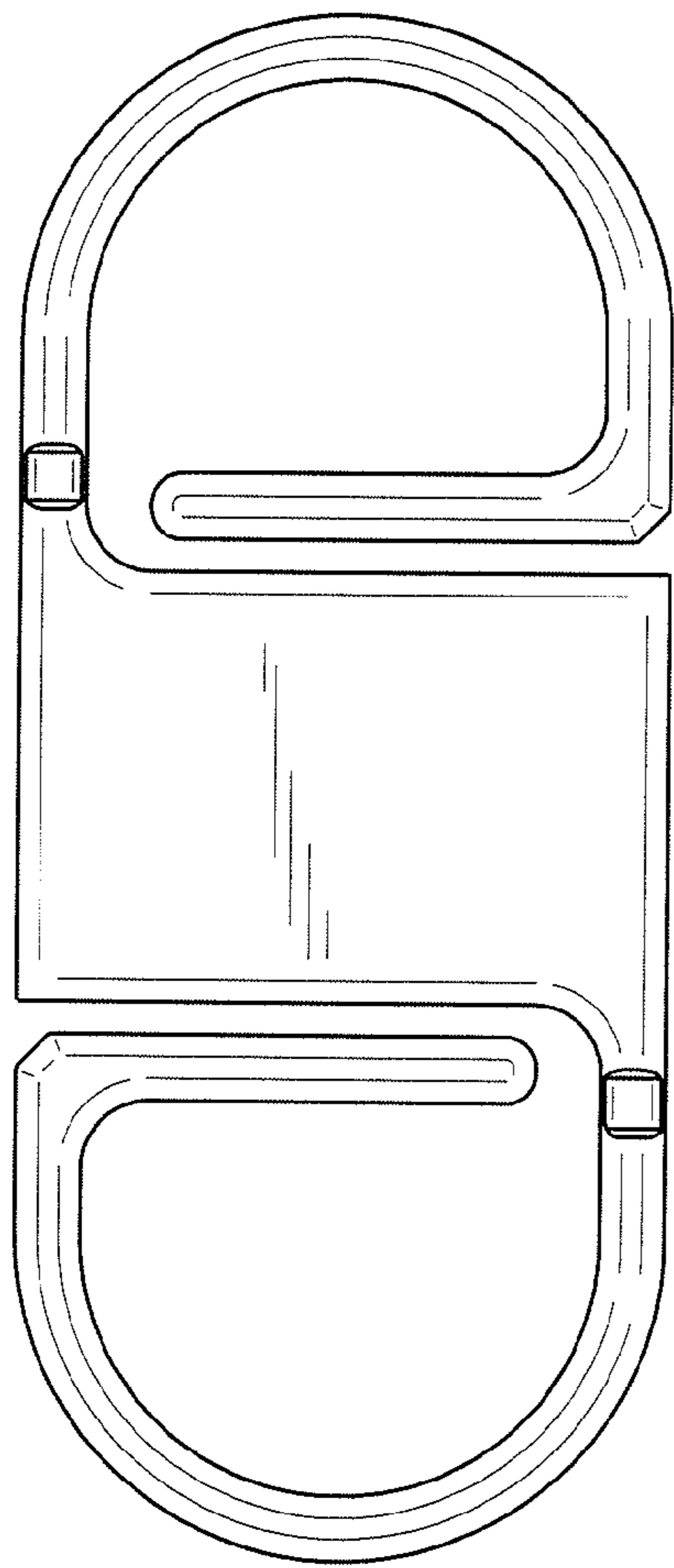


FIG. 19

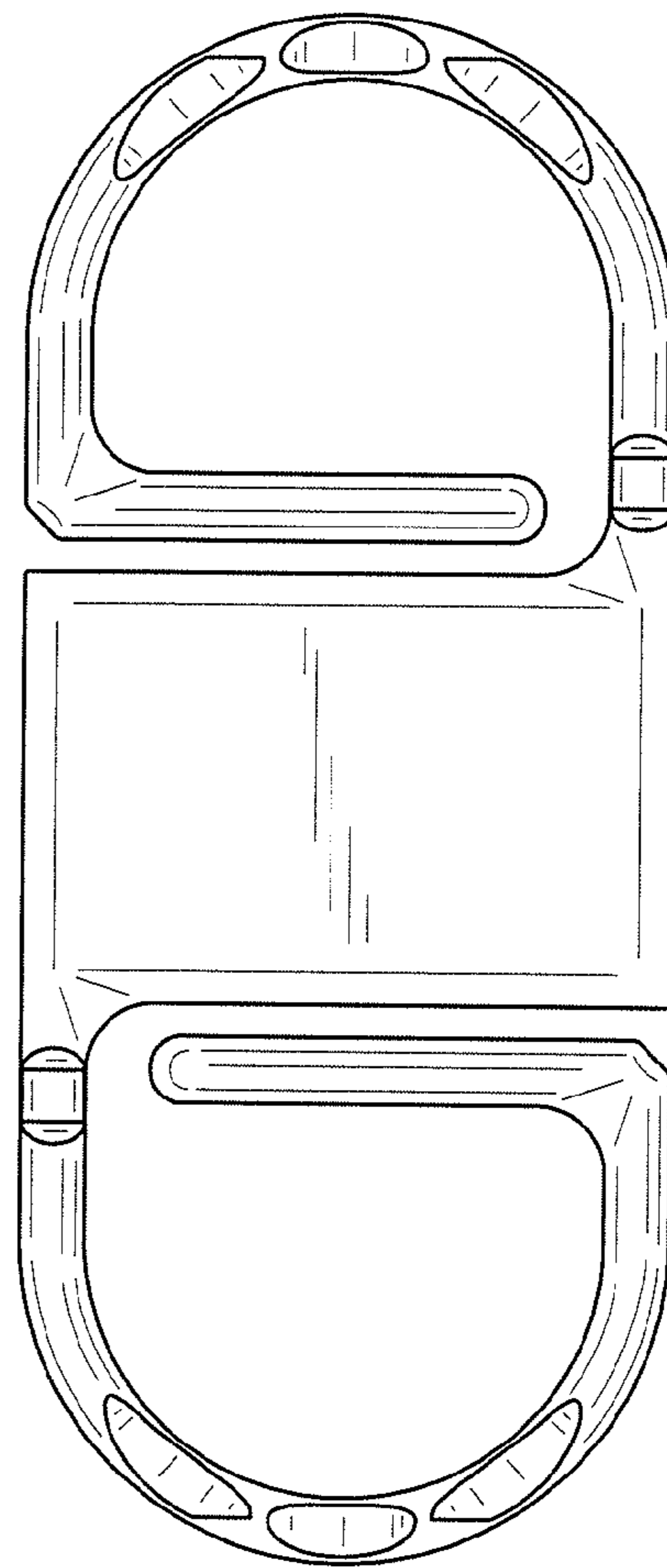


FIG. 20



FIG. 21



FIG. 22

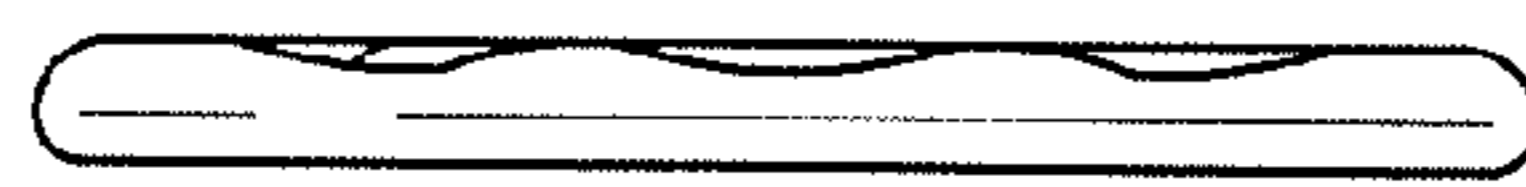
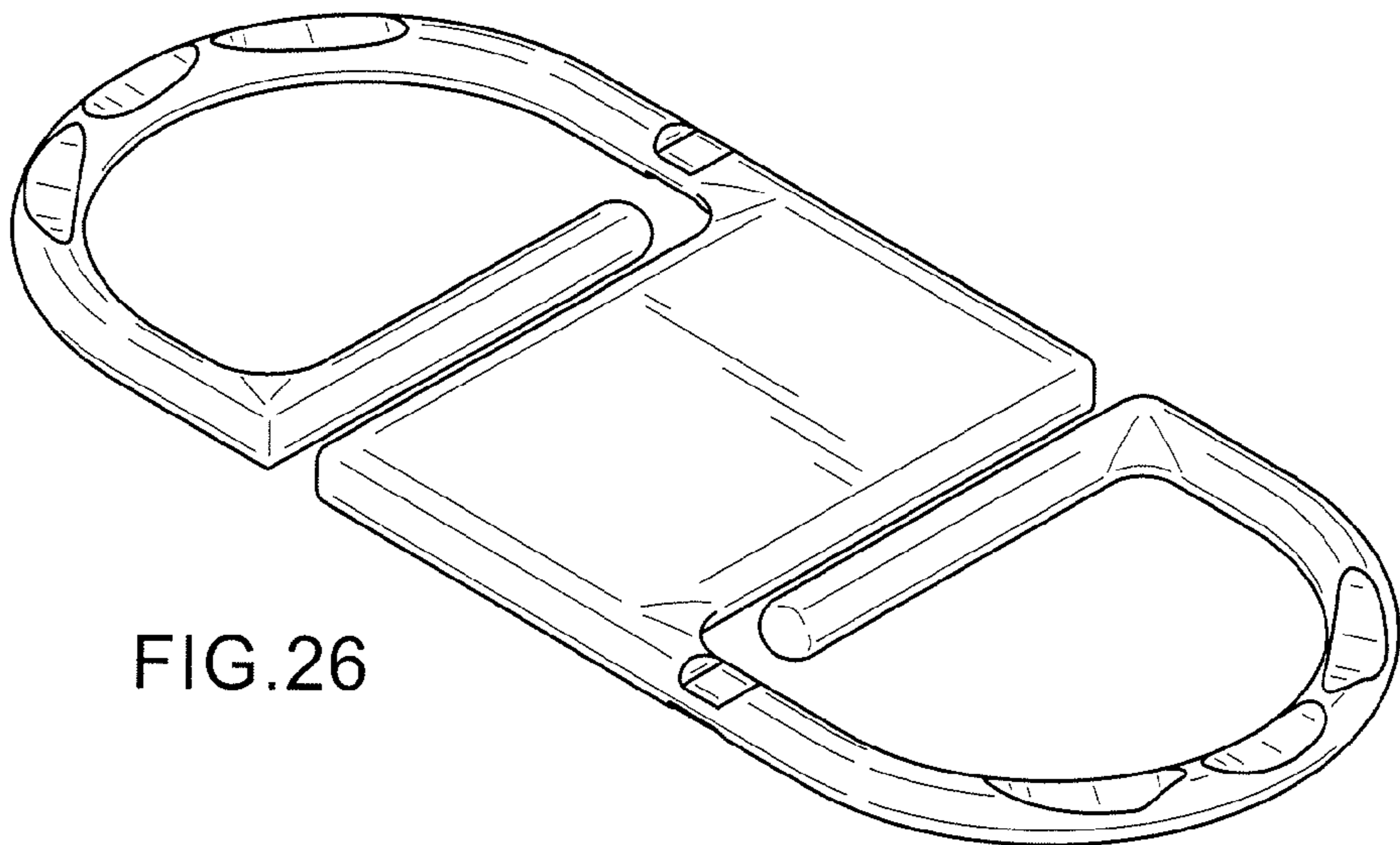
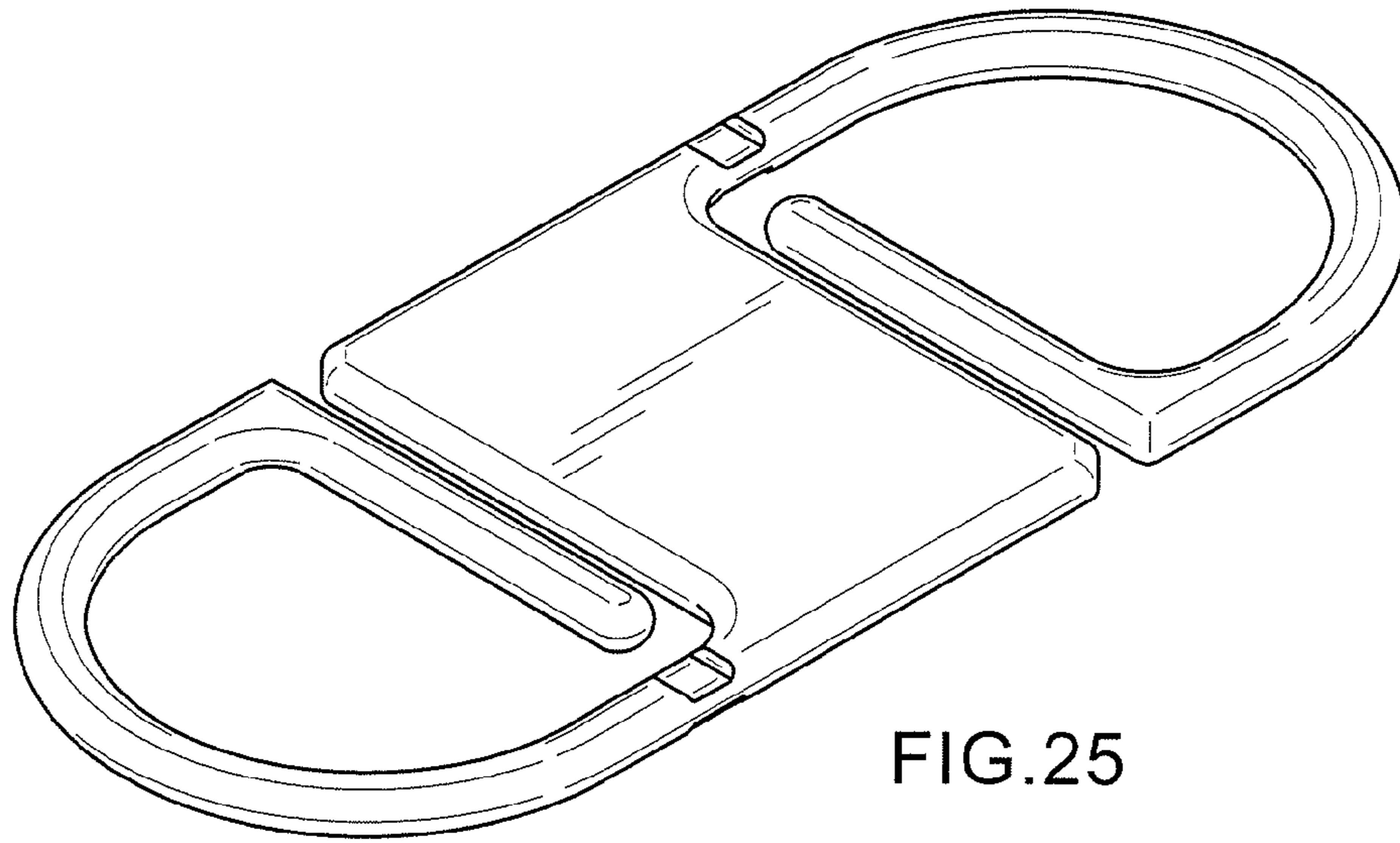


FIG. 23



FIG. 24





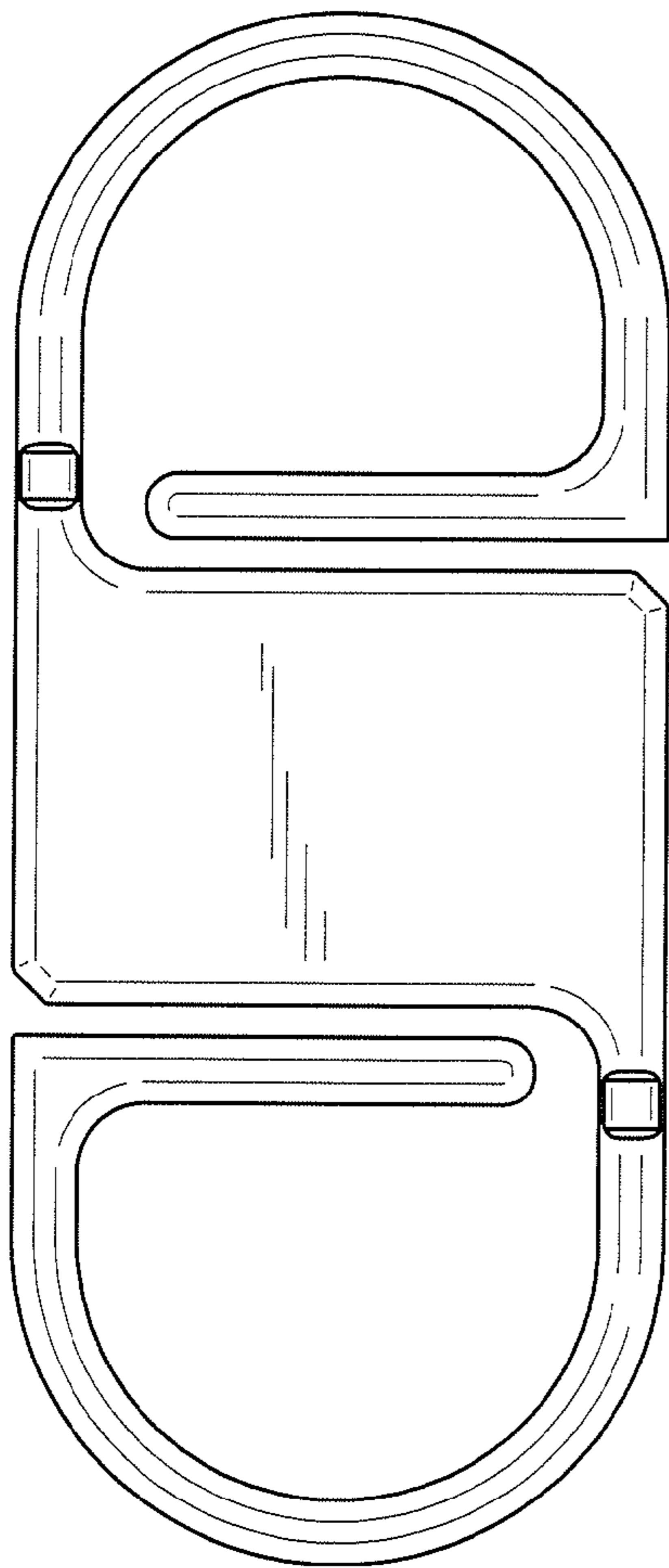


FIG.27

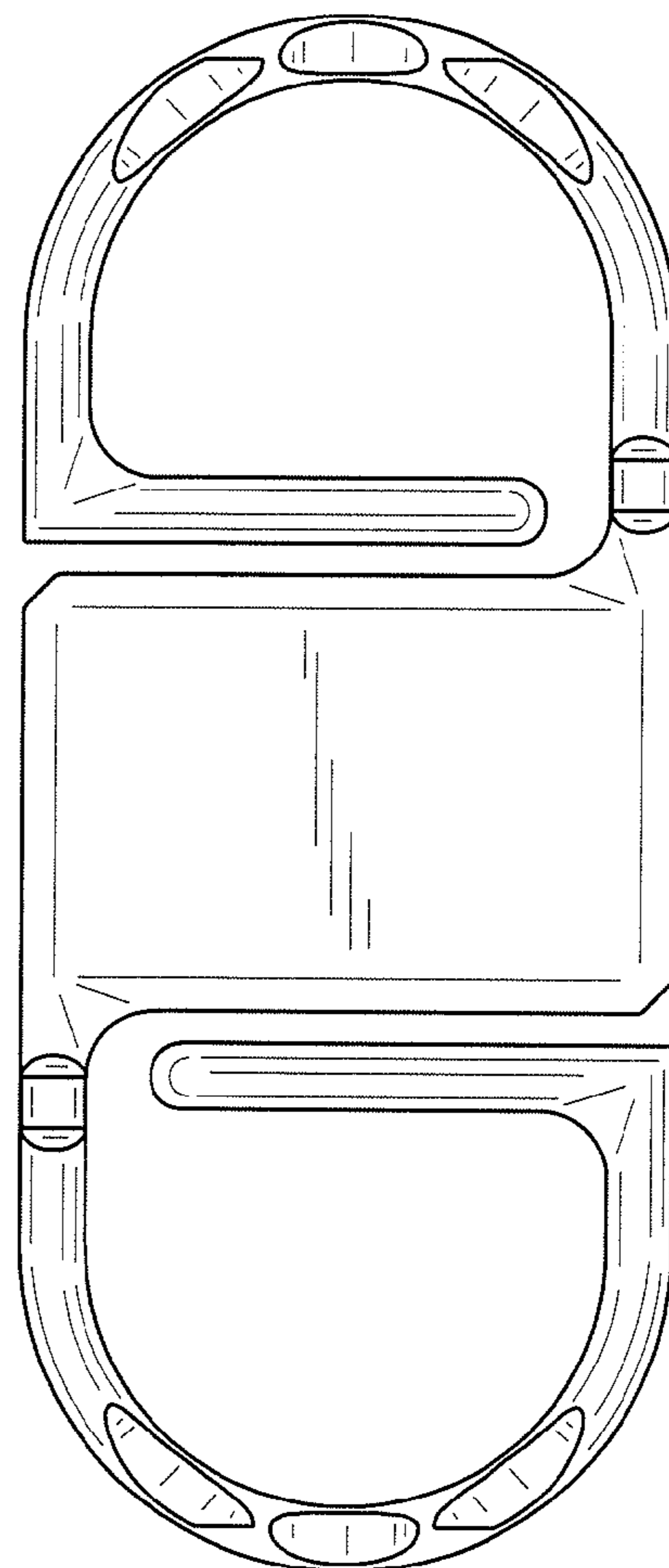


FIG.28



FIG.29



FIG.30

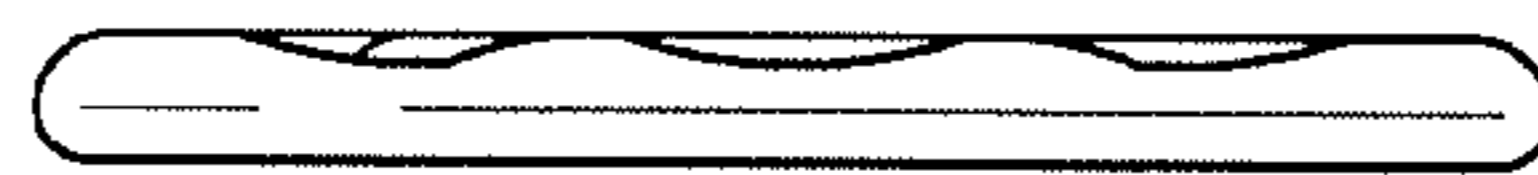


FIG.31

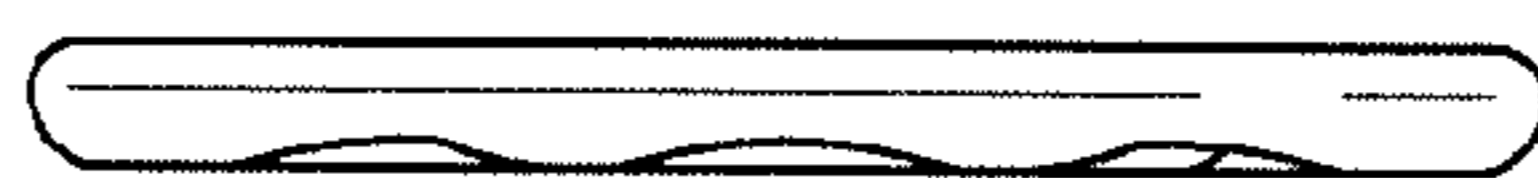


FIG.32