



US00D701749S

(12) **United States Design Patent**
Walchle et al.

(10) **Patent No.:** **US D701,749 S**
(45) **Date of Patent:** **** Apr. 1, 2014**

(54) **SHACKLE AND TONGUE**

(75) Inventors: **Kurt Walchle**, Ponte Vedra Beach, FL (US); **Matthew Bridgewater**, Saint Johns, FL (US); **Jason Sarnowski**, Jacksonville, FL (US); **Cole Coker**, Jacksonville, FL (US)

(73) Assignee: **Tough Gear, Inc.**, Ponte Vedra Beach, FL (US)

(**) Term: **14 Years**

(21) Appl. No.: **29/413,538**

(22) Filed: **Feb. 16, 2012**

(51) **LOC (10) Cl.** **08-05**

(52) **U.S. Cl.**
USPC **D8/356**

(58) **Field of Classification Search**
USPC D8/367, 356, 371, 373, 354, 355, 349; D6/323; D3/24; 248/215, 301, 339, 248/349.1; 160/349.2; 24/265 H, 265 R, 24/599.1, 599.8, 113 R, 573.5, 115 R; 294/82.18, 82.35; 29/525.1, 45.3; 223/106; D14/432, 140, 217; 59/35.1, 59/86; 403/24; 114/249

See application file for complete search history.

(56) **References Cited**

U.S. PATENT DOCUMENTS

1,719,673	A *	7/1929	Rottmer	59/86
2,449,593	A *	9/1948	Drake	24/115 R
3,958,411	A *	5/1976	Bernt	59/86
4,079,584	A *	3/1978	Shahan	59/35.1
4,216,987	A *	8/1980	Ely	294/82.35
4,307,567	A *	12/1981	Archer	59/86
D265,173	S *	6/1982	Brooks	D8/356
4,788,927	A *	12/1988	Casey	114/249

5,046,881	A *	9/1991	Swager	403/154
5,114,260	A *	5/1992	Hart et al.	403/24
RE34,046	E *	9/1992	Shahan	59/35.1
5,433,547	A *	7/1995	Hart et al.	403/24
6,023,927	A *	2/2000	Epstein	59/86
D433,617	S *	11/2000	Gray, Jr.	D8/356
6,145,293	A *	11/2000	Jenkins, Jr.	59/86
7,393,033	B1 *	7/2008	Bisso, IV	294/82.1
7,654,594	B2 *	2/2010	Bisso, IV	294/82.35
D625,987	S *	10/2010	Barrese	D8/367
8,104,988	B2 *	1/2012	Lunn et al.	403/154
8,171,715	B2 *	5/2012	Segura	59/86
8,205,922	B1 *	6/2012	Ohman, Jr.	294/82.11
8,376,434	B2 *	2/2013	Gaibler et al.	294/74
D687,699	S *	8/2013	Hollis et al.	D8/356

* cited by examiner

Primary Examiner — Cynthia Underwood

(74) *Attorney, Agent, or Firm* — Seyfarth Shaw LLP

(57) **CLAIM**

The ornamental design for the shackle and tongue, as shown and described.

DESCRIPTION

FIG. 1 is perspective view of an embodiment of a shackle and tongue showing my new design;

FIG. 2 is a front side view of the shackle and tongue shown in FIG. 1;

FIG. 3 is a rear view of the shackle and tongue shown in FIG. 1;

FIG. 4 is a front view of the shackle and tongue shown in FIG. 1;

FIG. 5 is a bottom side view of the shackle and tongue shown in FIG. 1;

FIG. 6 is a side view of one side of the shackle and tongue shown in FIG. 1; and,

FIG. 7 is a side view of the other side of the shackle and tongue shown in FIG. 1.

1 Claim, 2 Drawing Sheets

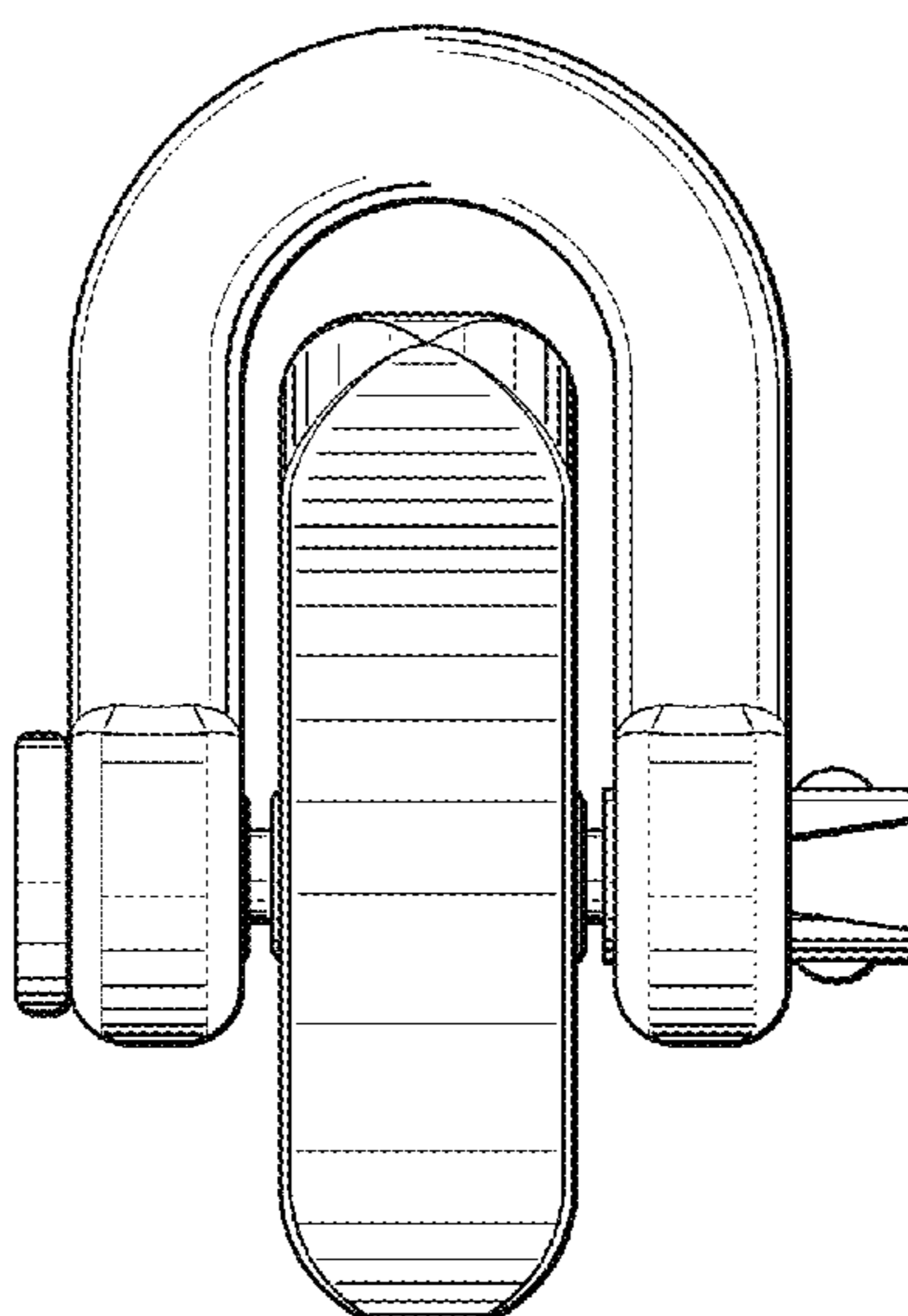
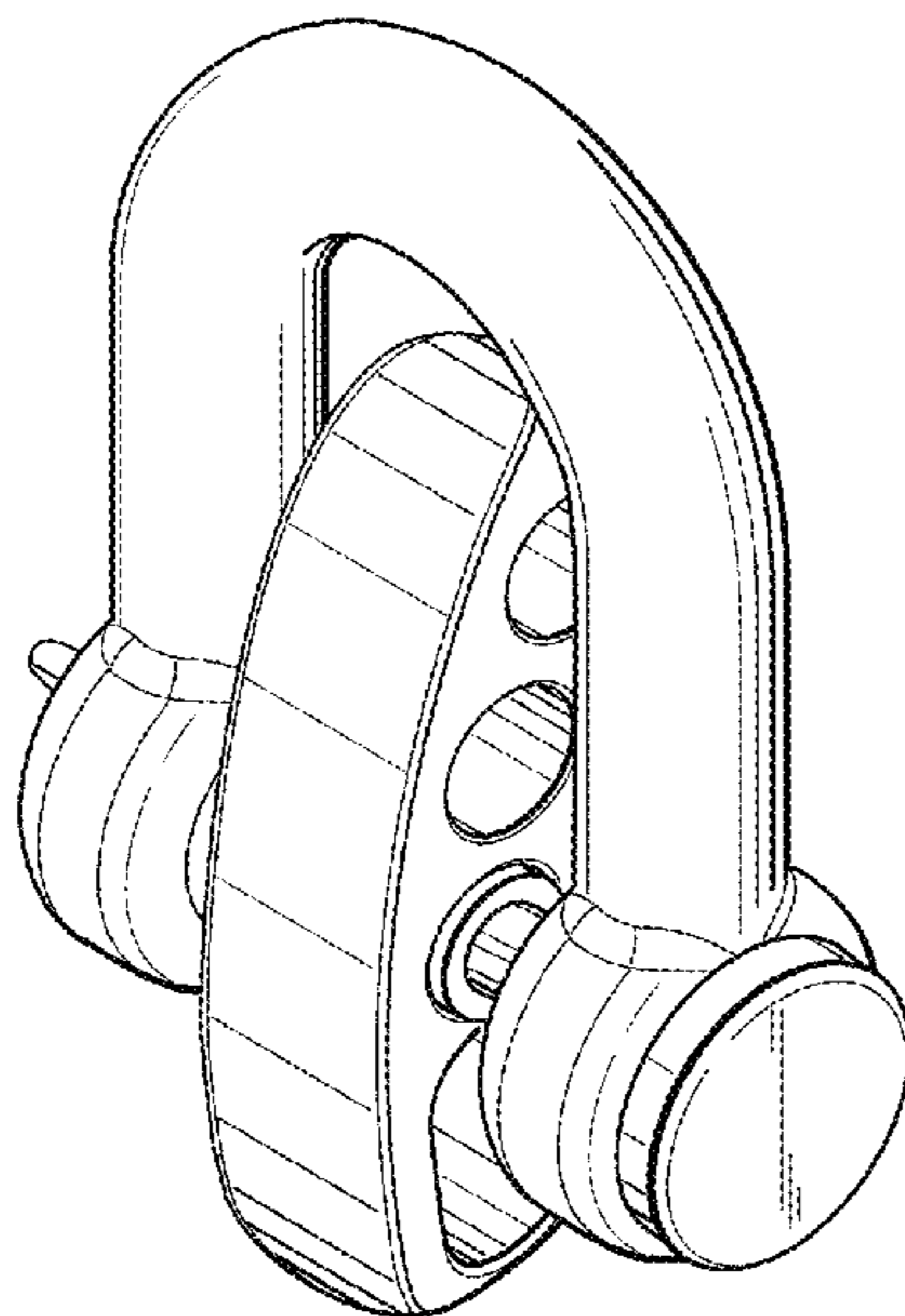


Fig. 1

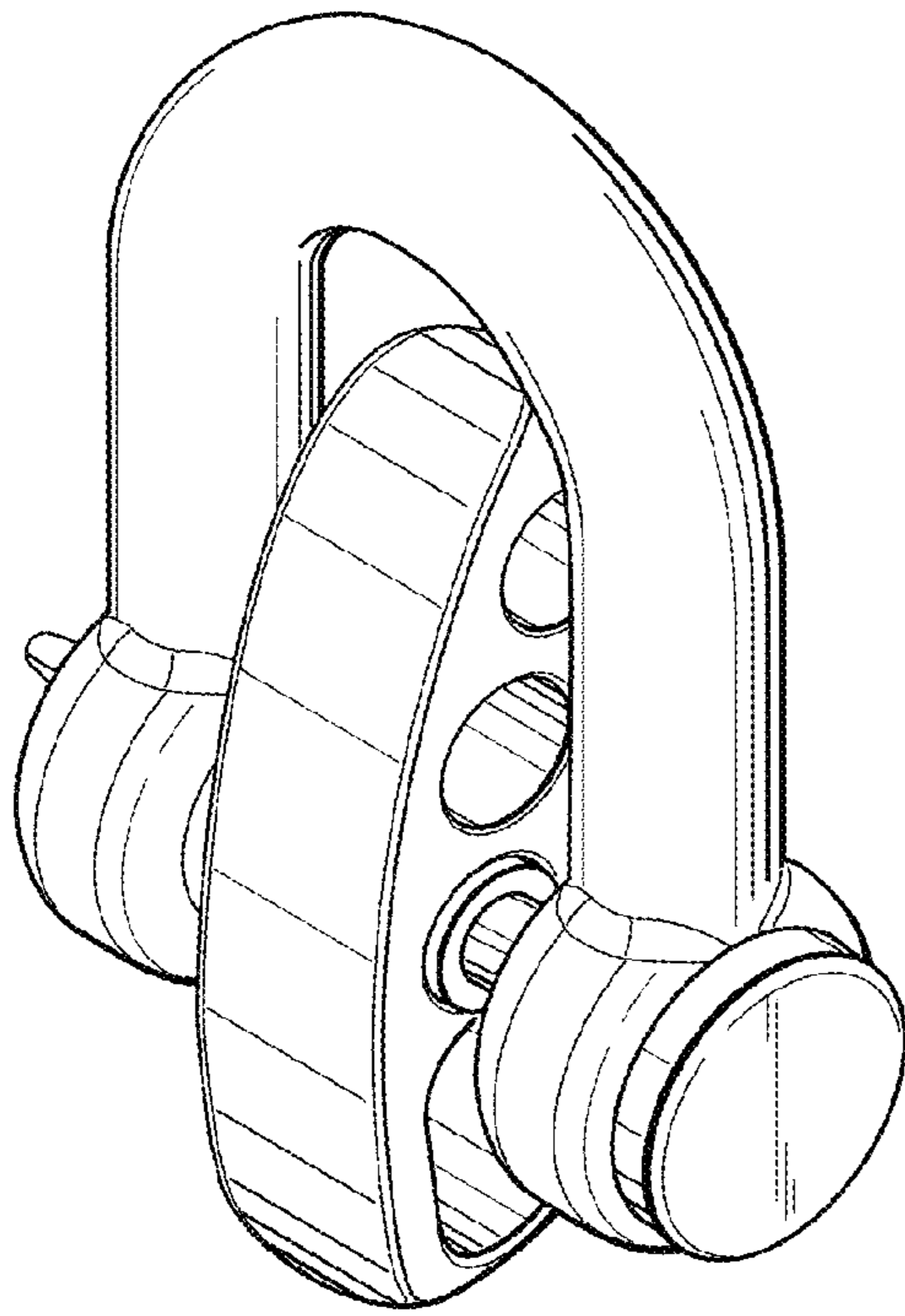


Fig. 3

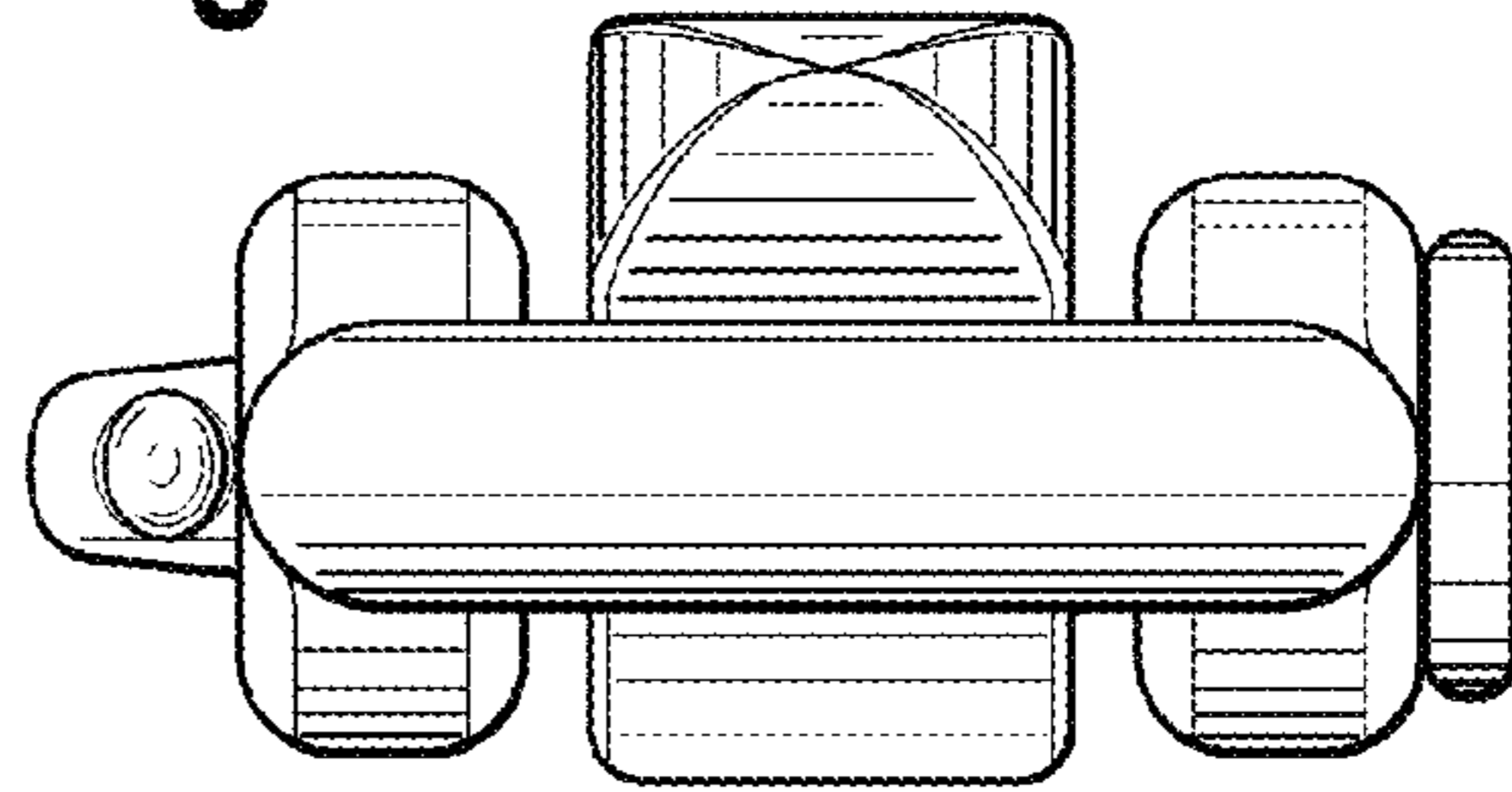


Fig. 2

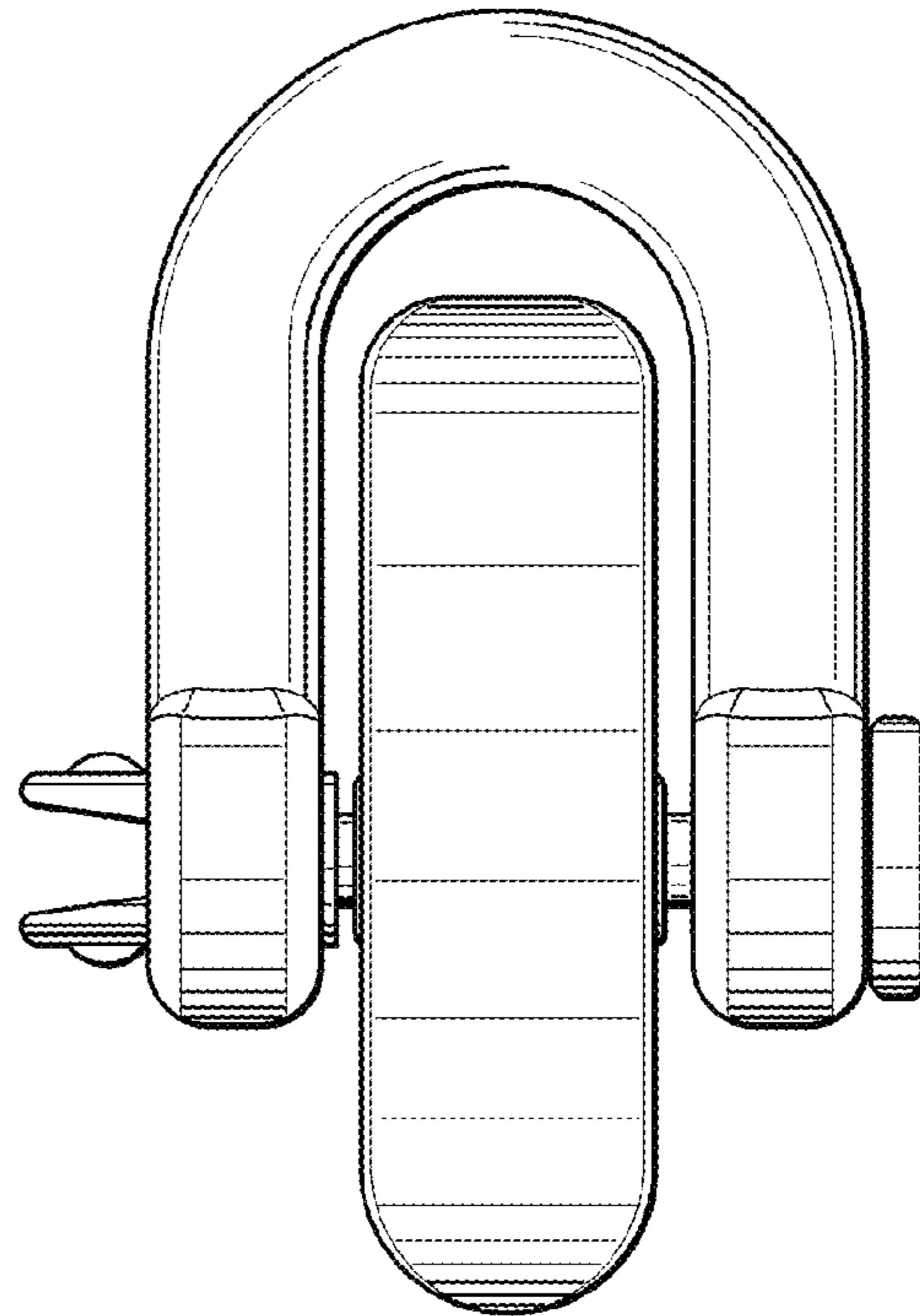


Fig. 4

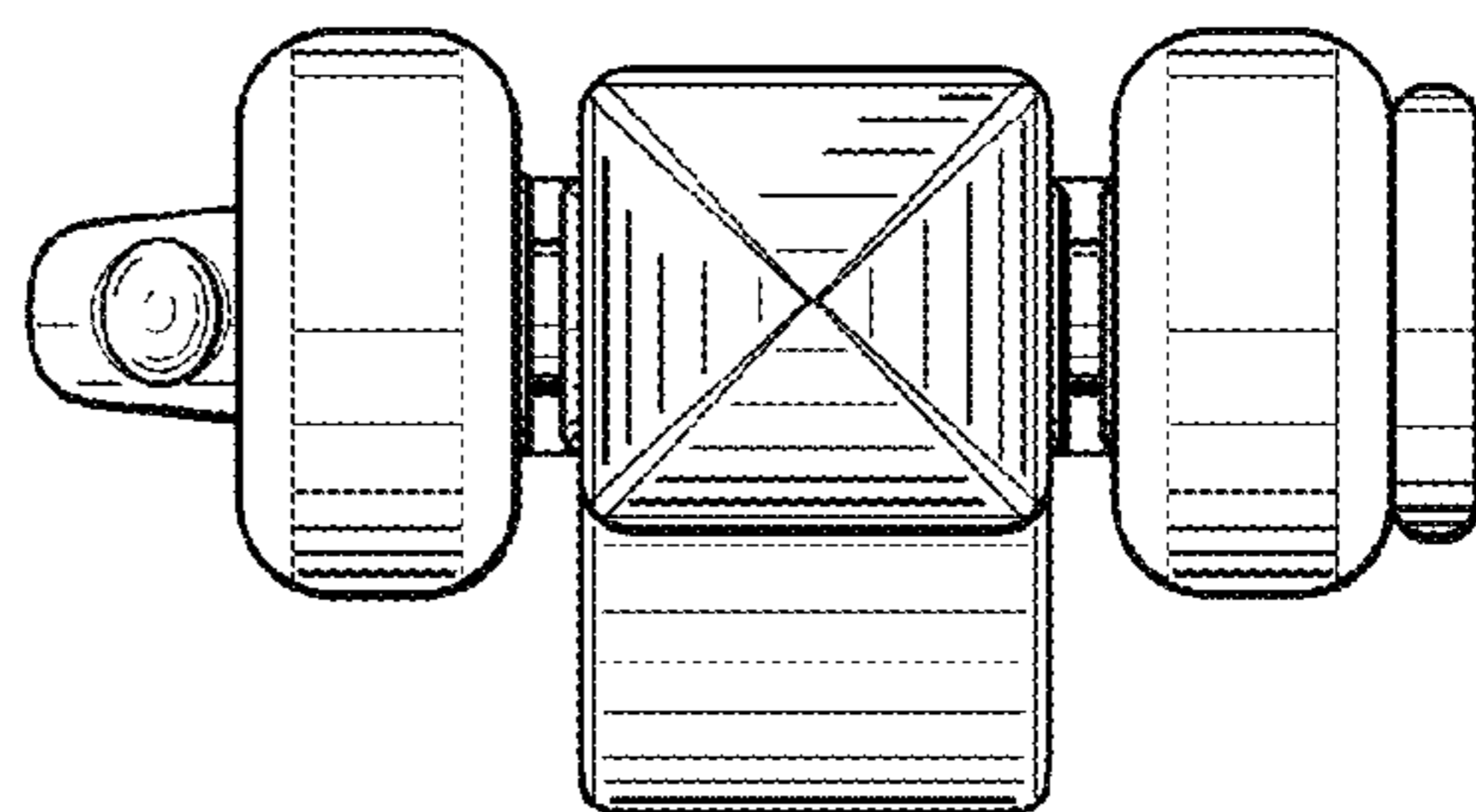


Fig. 6

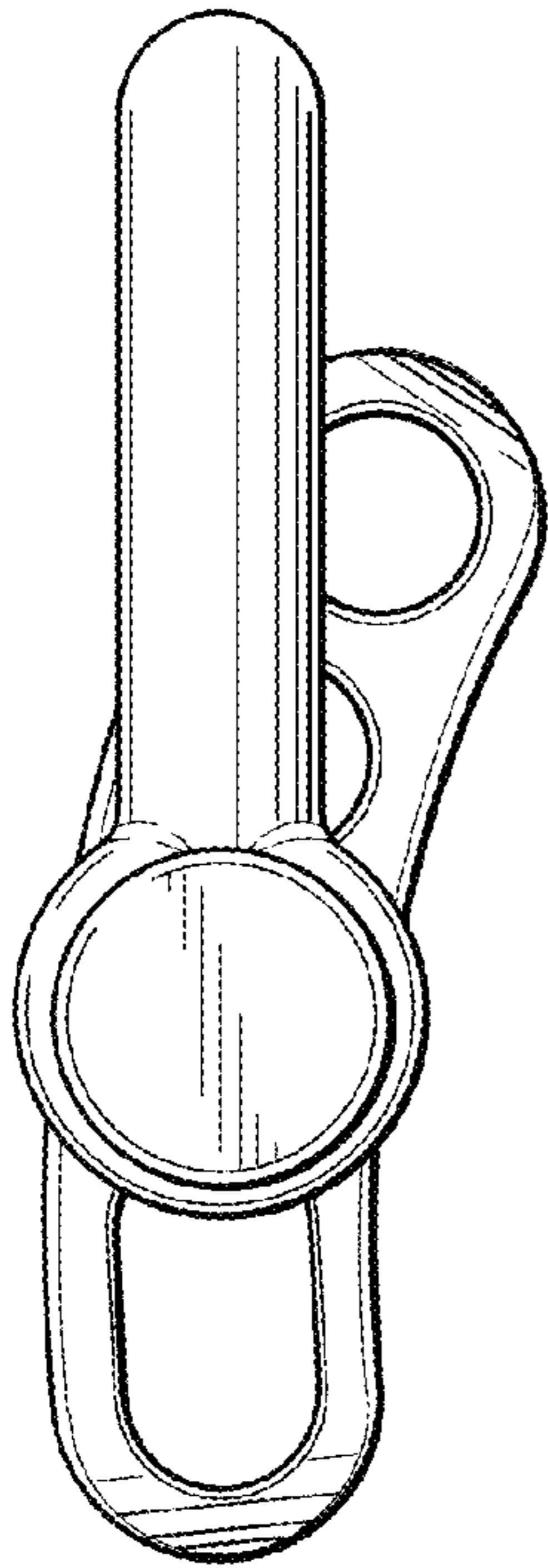


Fig. 5

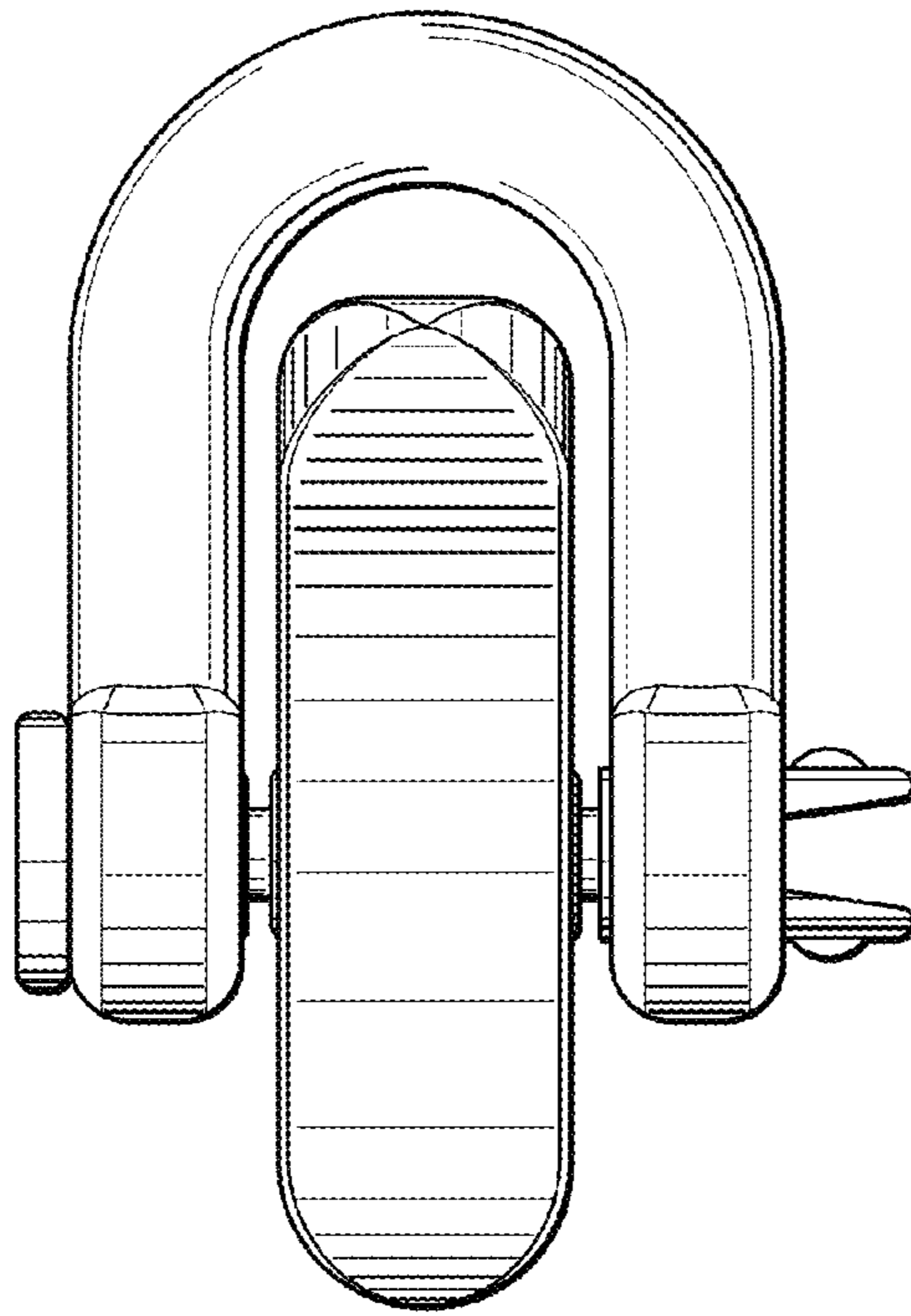


Fig. 7

