



US00D701748S

(12) **United States Design Patent**
Weathersby et al.

(10) **Patent No.:** **US D701,748 S**

(45) **Date of Patent:** **** Apr. 1, 2014**

(54) **LOCK PLATE FOR A DOOR**

(71) Applicant: **Hampton Products International Corporation**, Foothill Ranch, CA (US)

(72) Inventors: **Steven T. Weathersby**, Lake Forest, CA (US); **John Kiechel**, Oakland, CA (US); **Sean Murphy**, San Francisco, CA (US); **Nasahn Adam Sheppard**, Mill Valley, CA (US); **James Sloss**, Cambridge, MA (US); **Andy Ward**, San Francisco, CA (US)

(73) Assignee: **Hampton Products International Corporation**, Foothill Ranch, CA (US)

(**) Term: **14 Years**

(21) Appl. No.: **29/434,324**

(22) Filed: **Oct. 11, 2012**

(51) **LOC (10) Cl.** **11-05**

(52) **U.S. Cl.**
USPC **D8/350**

(58) **Field of Classification Search**
USPC D8/350, 353, 352, 302; D6/524, 546;
292/357; 70/91, 101, 452; 174/66, 67,
174/53, 55
See application file for complete search history.

(56) **References Cited**

U.S. PATENT DOCUMENTS

D228,061 S *	8/1973	Kartarik	D8/350
D284,687 S *	7/1986	Doman et al.	D23/249
D300,238 S *	3/1989	Kohler et al.	D23/249
D303,566 S *	9/1989	Kohler et al.	D23/249
D372,417 S *	8/1996	Jimenez	D8/343
D373,523 S *	9/1996	Carsello	D8/352

D396,798 S *	8/1998	Adelmeyer et al.	D8/343
D456,689 S *	5/2002	Nakamaru	D8/343
D465,989 S *	11/2002	Carsello et al.	D8/352
D471,423 S *	3/2003	Ellis et al.	D8/301
D552,961 S *	10/2007	Roberts	D8/331
D553,404 S *	10/2007	Rexach	D6/524
D554,974 S *	11/2007	Huang	D8/352
D558,558 S *	1/2008	Lin et al.	D8/352
D578,866 S *	10/2008	Kim	D8/353
D579,760 S *	11/2008	Roberts, III	D8/353
D637,474 S *	5/2011	Schneider et al.	D8/350
D645,727 S *	9/2011	Bergmann	D8/350

* cited by examiner

Primary Examiner — Mark Goodwin

(74) *Attorney, Agent, or Firm* — Klein, O'Neill & Singh, LLP

(57) **CLAIM**

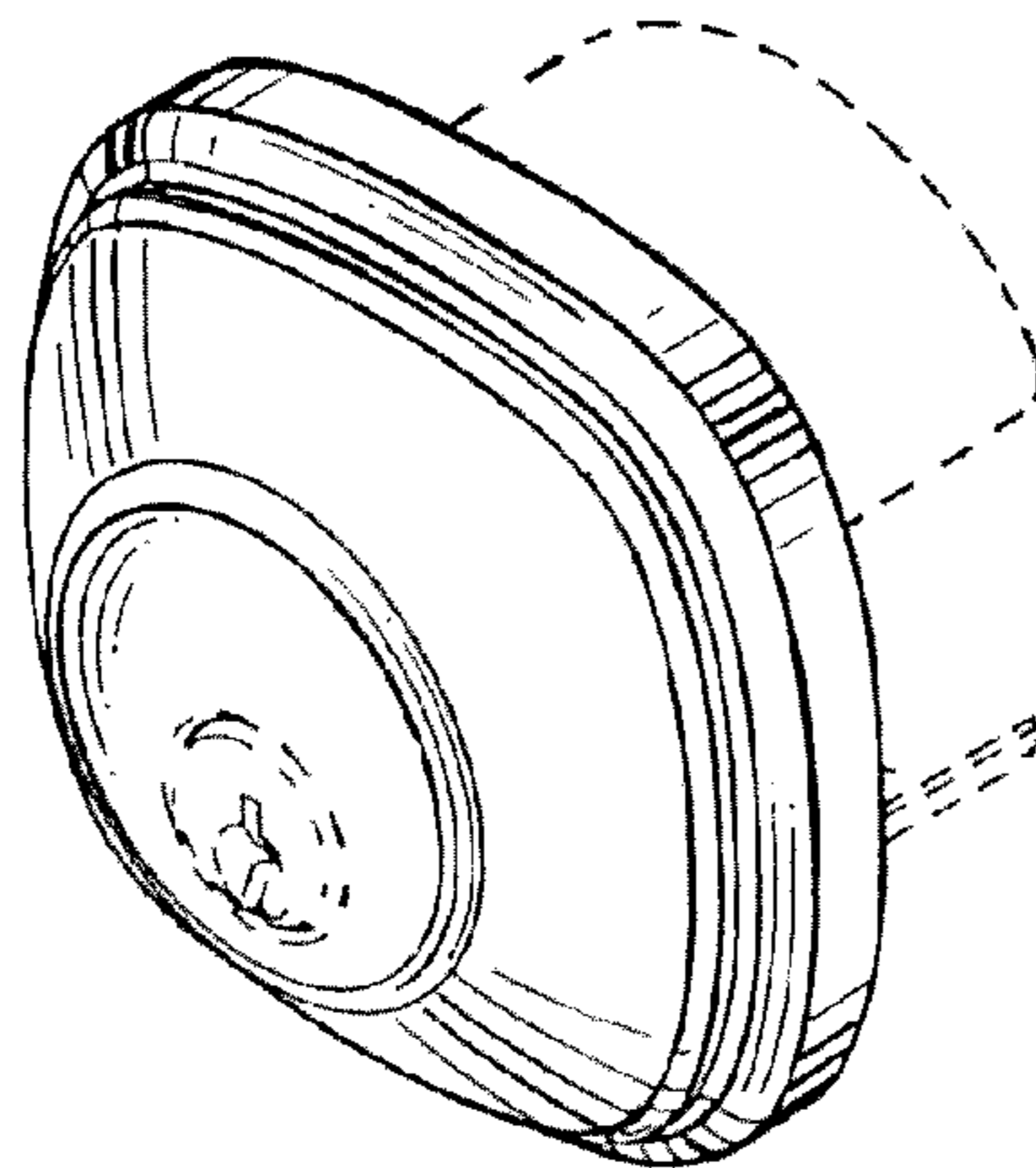
The ornamental design for a lock plate for a door, as shown and described.

DESCRIPTION

FIG. 1 is a front, top, right side perspective view of a lock plate for a door showing our new design;
FIG. 2 is a top plan view of the lock plate for a door shown in FIG. 1, the bottom plan view being identical thereto;
FIG. 3 is a left side elevational view of the lock plate for a door shown in FIG. 1;
FIG. 4 is a right side elevational view of the lock plate for a door shown in FIG. 1;
FIG. 5 is a front elevational view of the lock plate a door shown in FIG. 1; and,
FIG. 6 is a rear elevational view of the lock plate for a door shown in FIG. 1.

The broken lines illustrate environmental structure which forms no part of the claimed design.

1 Claim, 2 Drawing Sheets



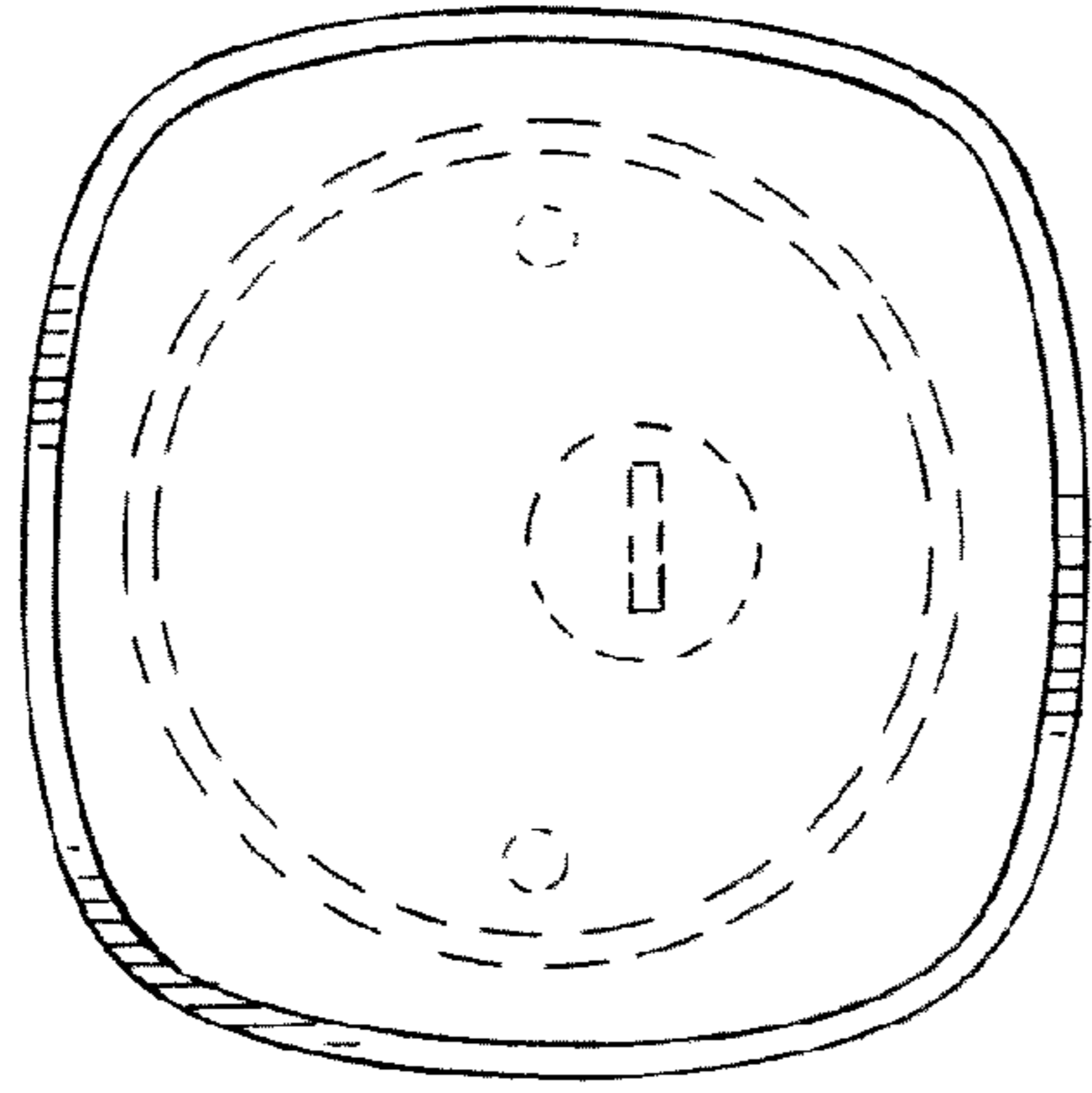


FIG. 6

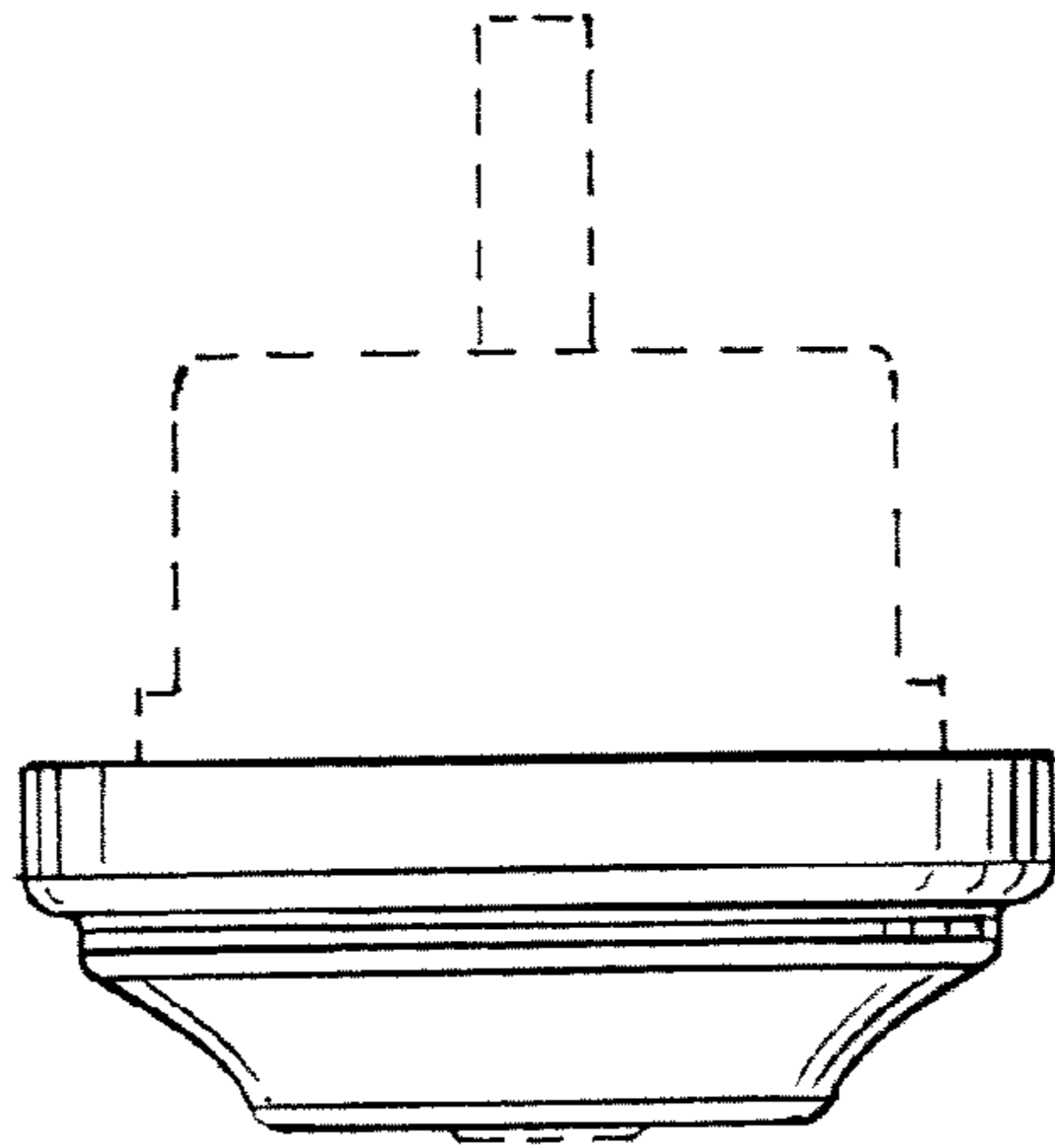


FIG. 2

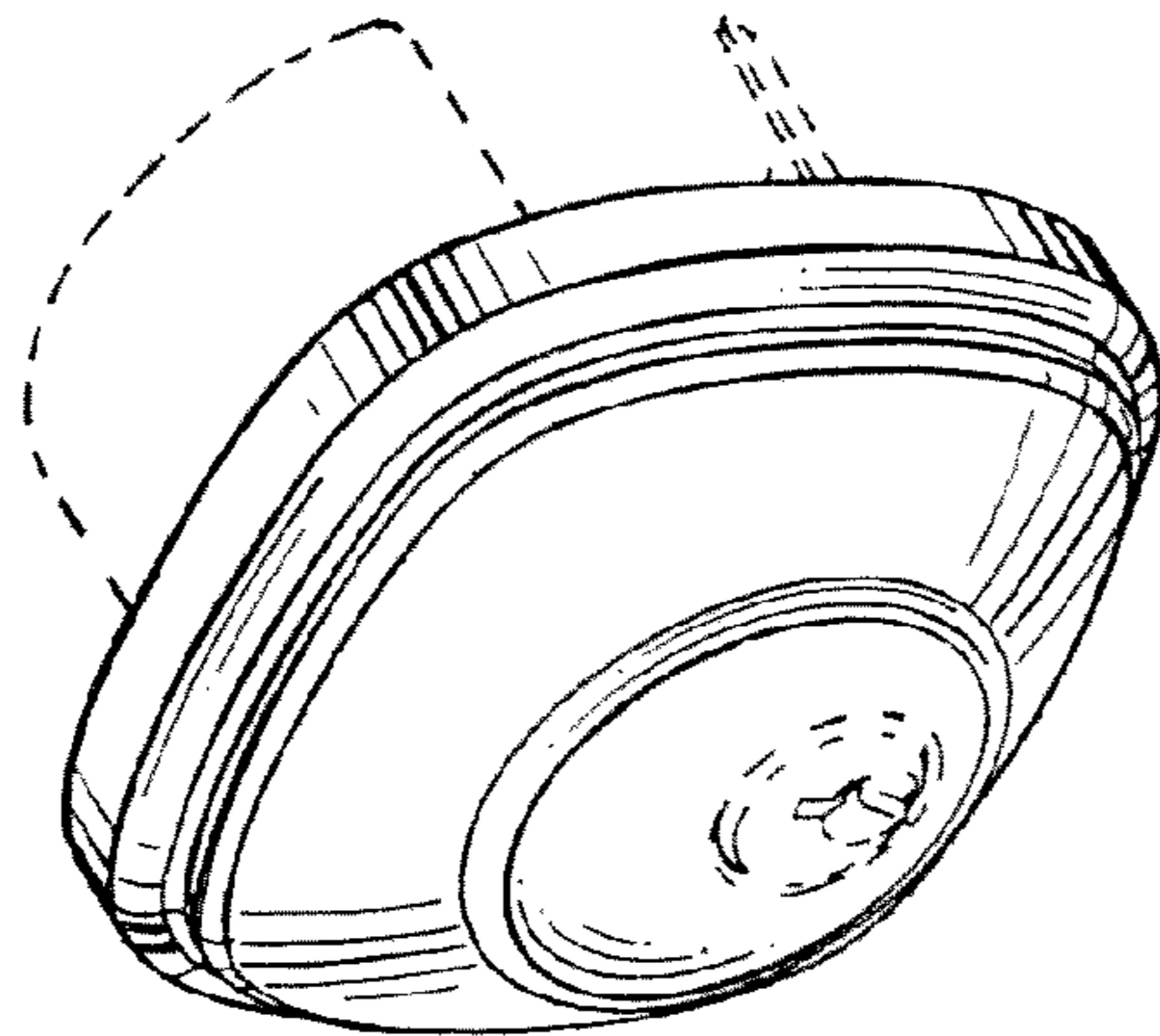


FIG. 1

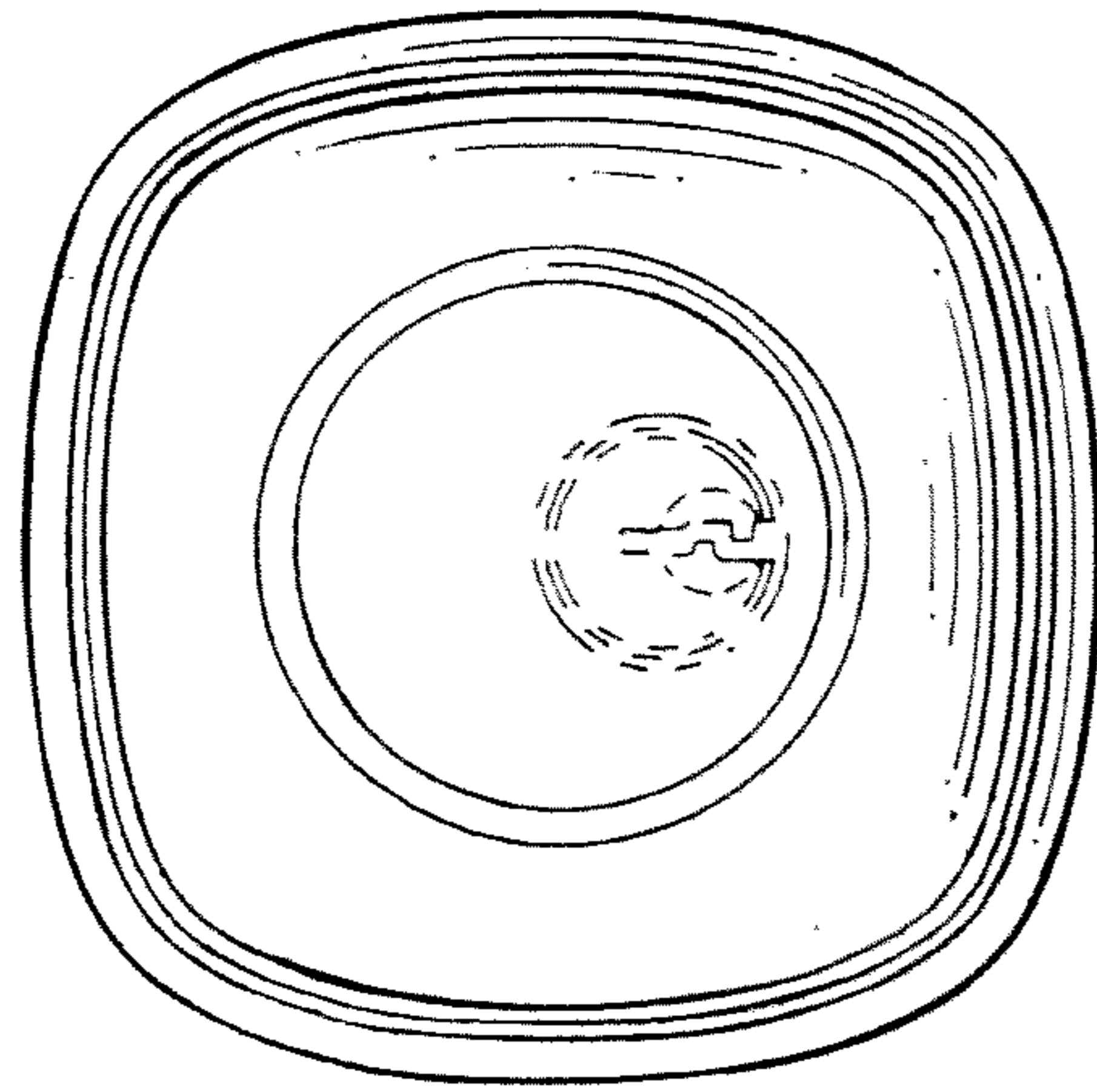


FIG. 5

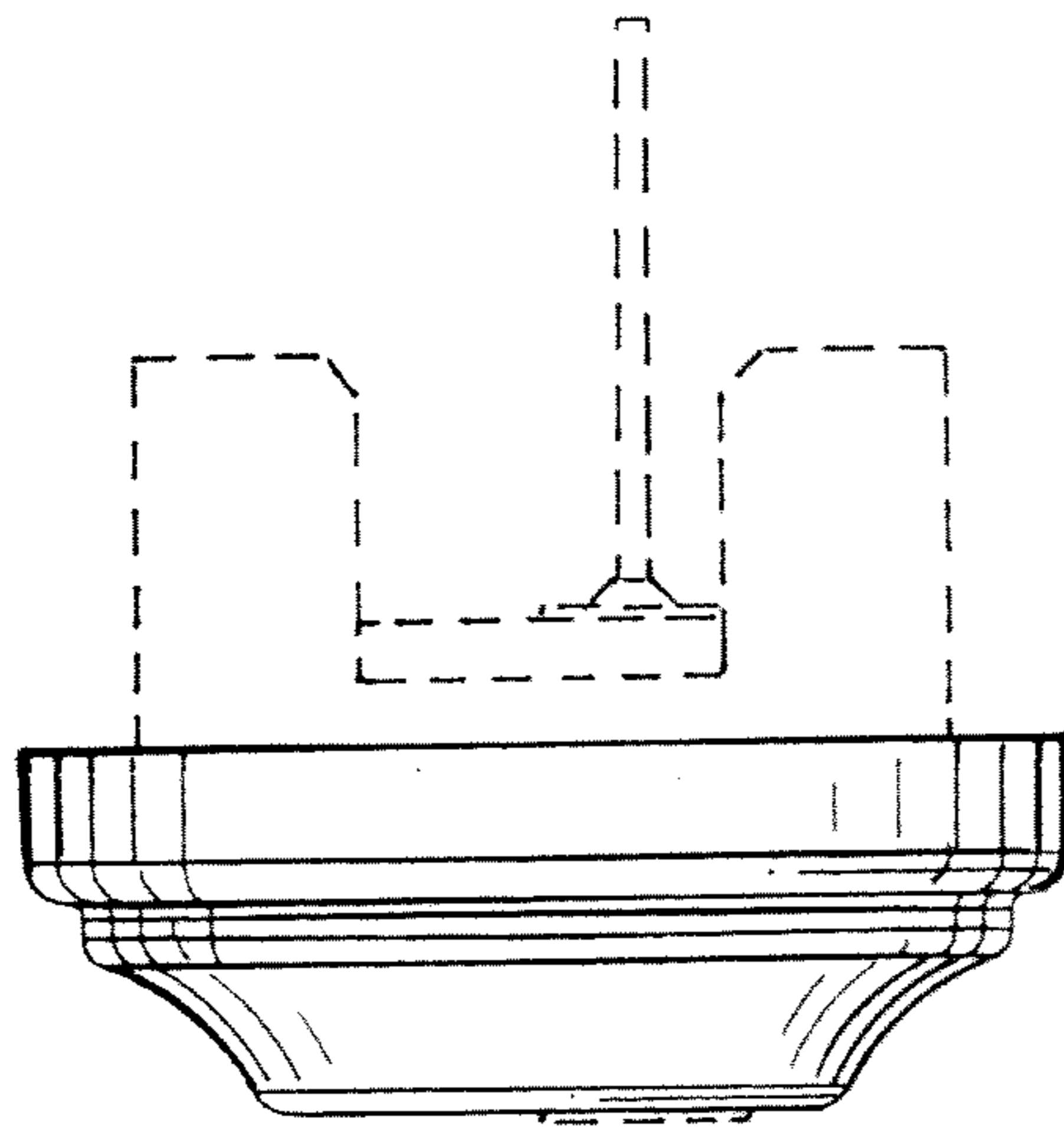


FIG. 4

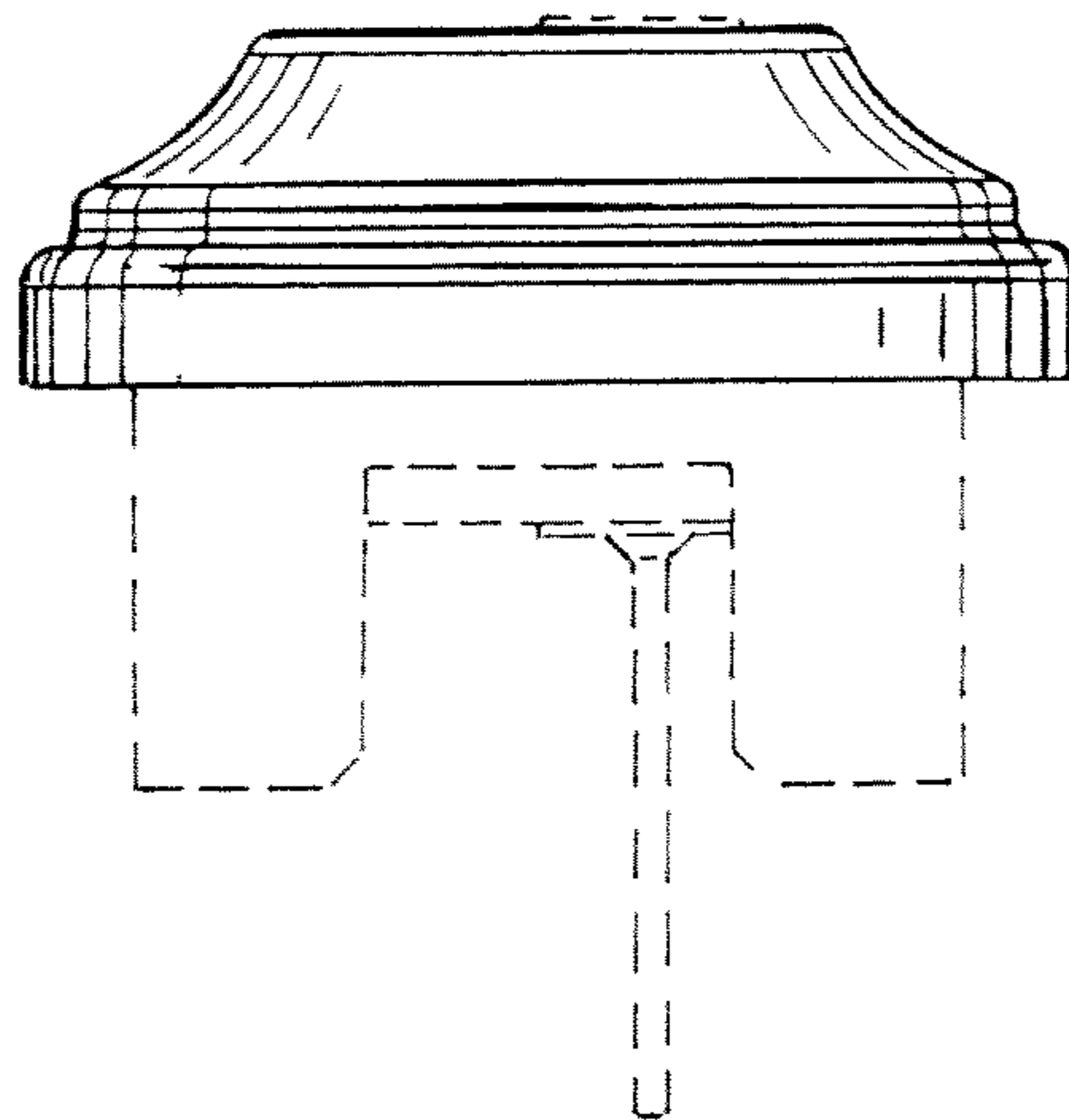


FIG. 3