



US00D701747S

(12) **United States Design Patent**
Eddisford

(10) **Patent No.:** **US D701,747 S**
(45) **Date of Patent:** **** Apr. 1, 2014**

(54) **MOUNT FOR CURVED COMPONENT**

(76) Inventor: **Lucien Eddisford**, Arcata, CA (US)

(**) Term: **14 Years**

(21) Appl. No.: **29/417,925**

(22) Filed: **Apr. 10, 2012**

(51) **LOC (10) Cl.** **08-08**

(52) **U.S. Cl.**
USPC **D8/349**

(58) **Field of Classification Search**
USPC D8/349, 354, 380, 382; D25/133;
248/519, 300, 237, 309.1; 174/45 R,
174/46, 40 R, 45 TD, 40 CCC, 43, 493;
220/251, 284; 362/431; 411/402;
52/188, 182, 191, 702, 712, 745.06,
52/189, 506.5, 586.1; 29/428, 525.01,
29/464; 249/14, 205, 208; 403/167, 169
See application file for complete search history.

(56) **References Cited**

U.S. PATENT DOCUMENTS

D290,349 S *	6/1987	Kasai	D11/218
D303,456 S *	9/1989	Selisky	D11/218
D373,975 S *	9/1996	Anscher	D11/218
D515,406 S *	2/2006	Groff et al.	D8/380
D523,734 S *	6/2006	Calaicone	D8/354

D555,459 S *	11/2007	Goodwin et al.	D8/363
D555,467 S *	11/2007	Pecoraro	D8/380
D556,018 S *	11/2007	Curtas et al.	D8/354
D619,452 S *	7/2010	Ollila	D8/396
D619,877 S *	7/2010	Siebuhr	D8/354
D628,539 S *	12/2010	Tezak et al.	D13/152
D632,609 S *	2/2011	Corrado	D11/208
D632,610 S *	2/2011	Corrado	D11/208
D637,260 S *	5/2011	Swan	D22/109
D647,424 S *	10/2011	Kolasa et al.	D11/218
D647,425 S *	10/2011	Kolasa et al.	D11/218
D662,653 S *	6/2012	Hochman	D26/138

* cited by examiner

Primary Examiner — Mark Goodwin
(74) *Attorney, Agent, or Firm* — Damon M. Thurston

(57) **CLAIM**
The ornamental design for a mount for curved component, as shown and described.

DESCRIPTION

FIG. 1 is a three-quarter perspective view of a mount for curved component showing my new design.
FIG. 2 is a front view thereof.
FIG. 3 is a rear view thereof.
FIG. 4 is a top view thereof.
FIG. 5 is a side view thereof; and,
FIG. 6 is a bottom view thereof.

1 Claim, 3 Drawing Sheets

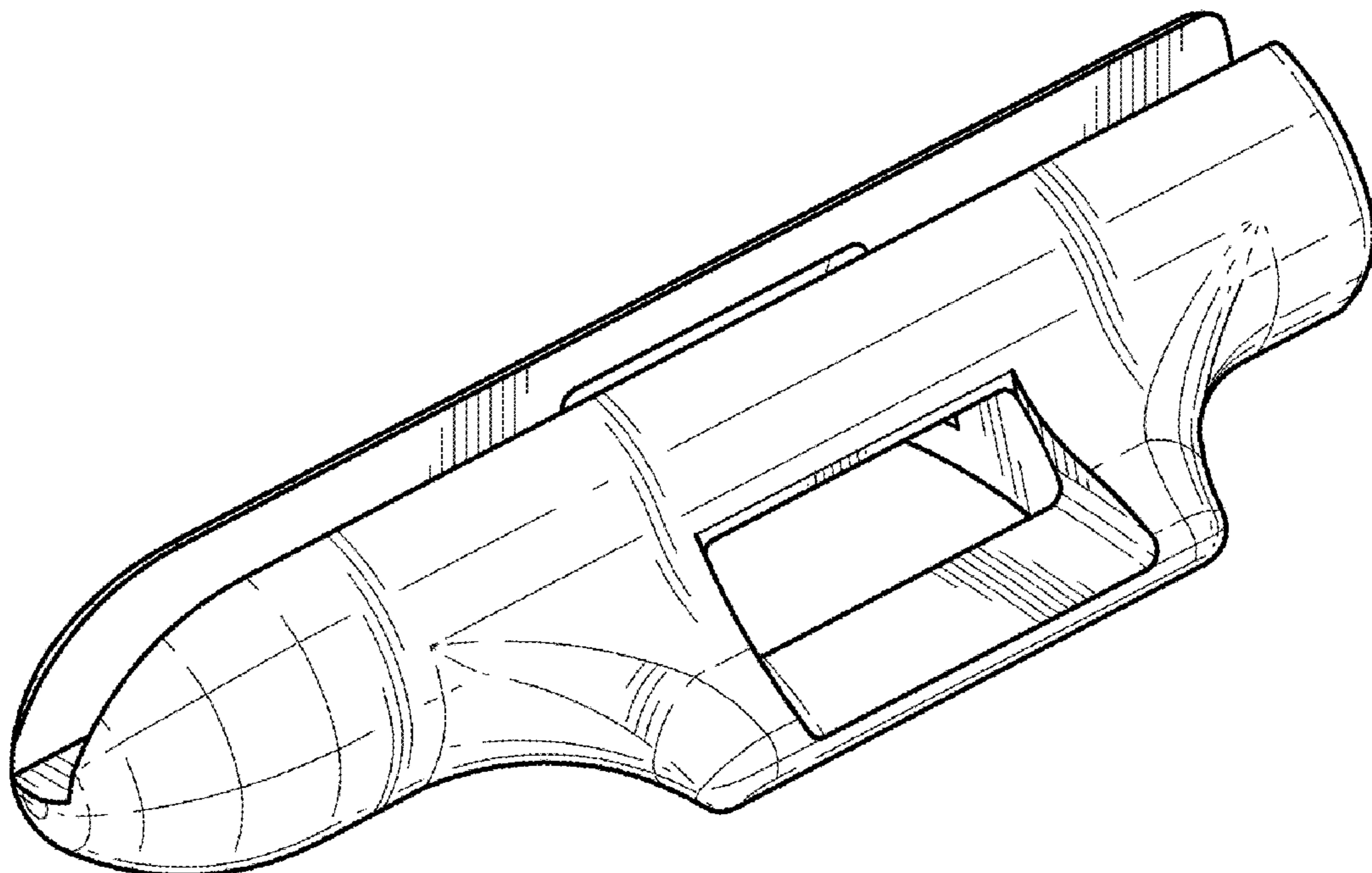


FIG. 1

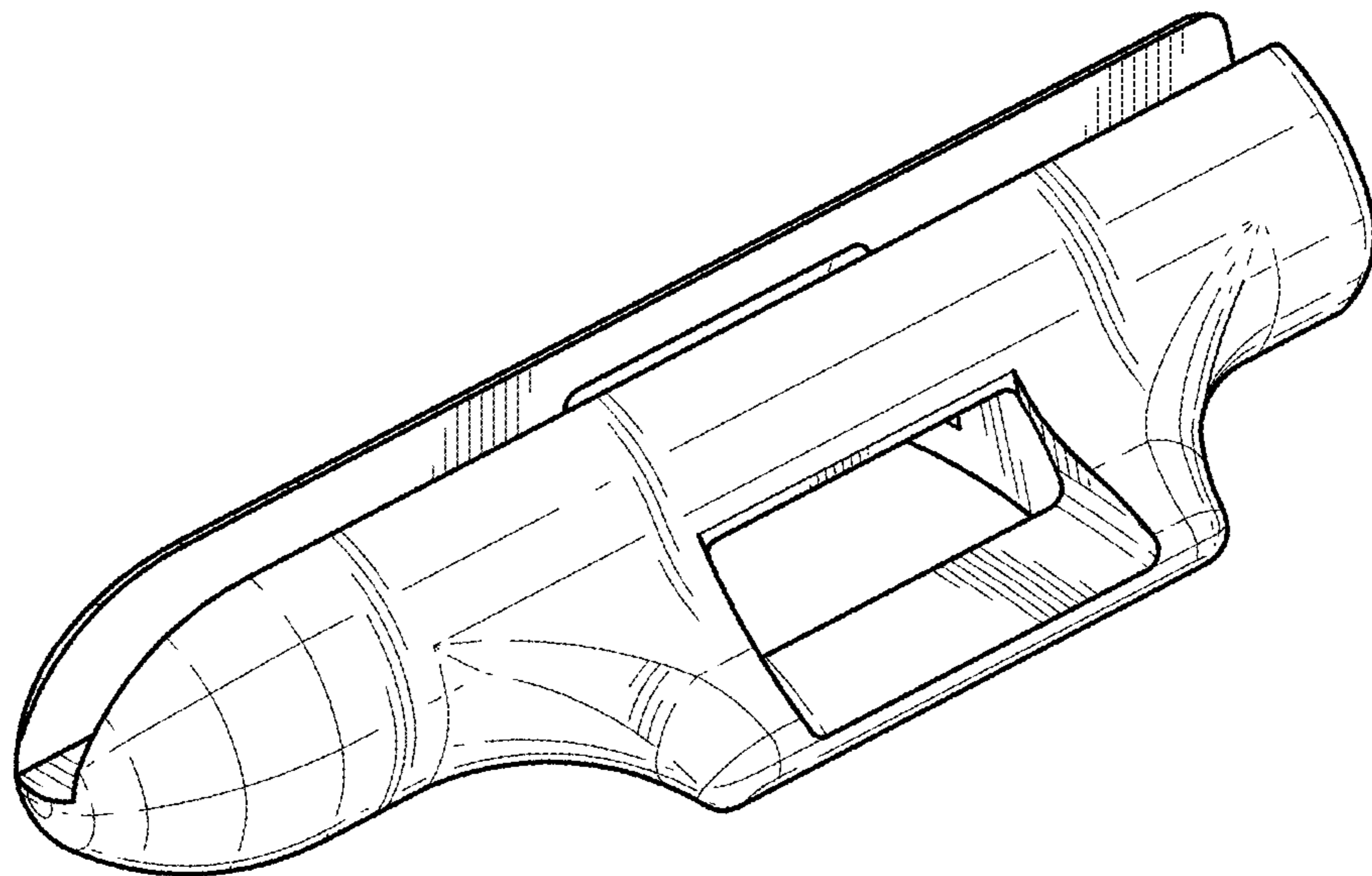


FIG. 2

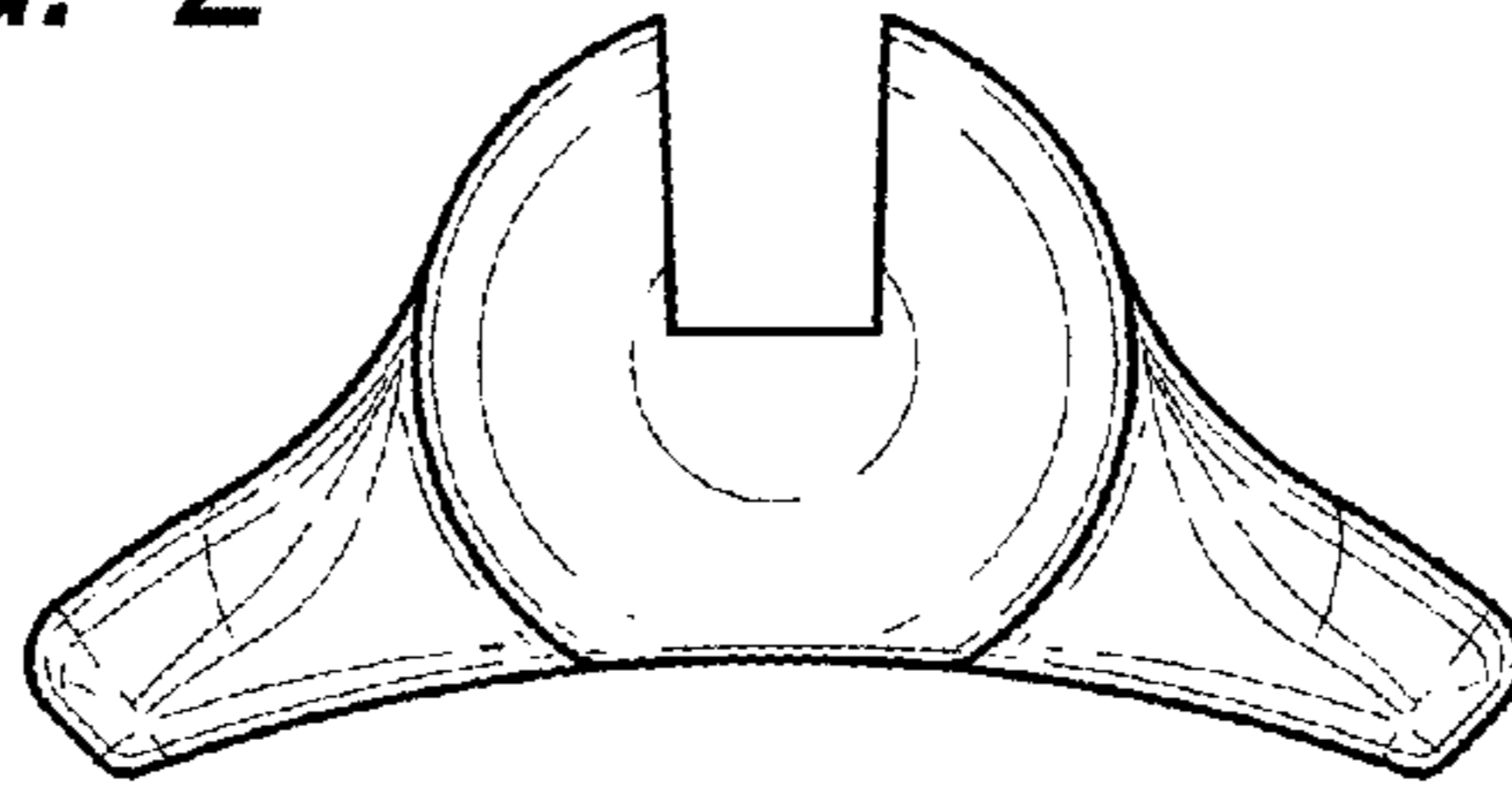


FIG. 3

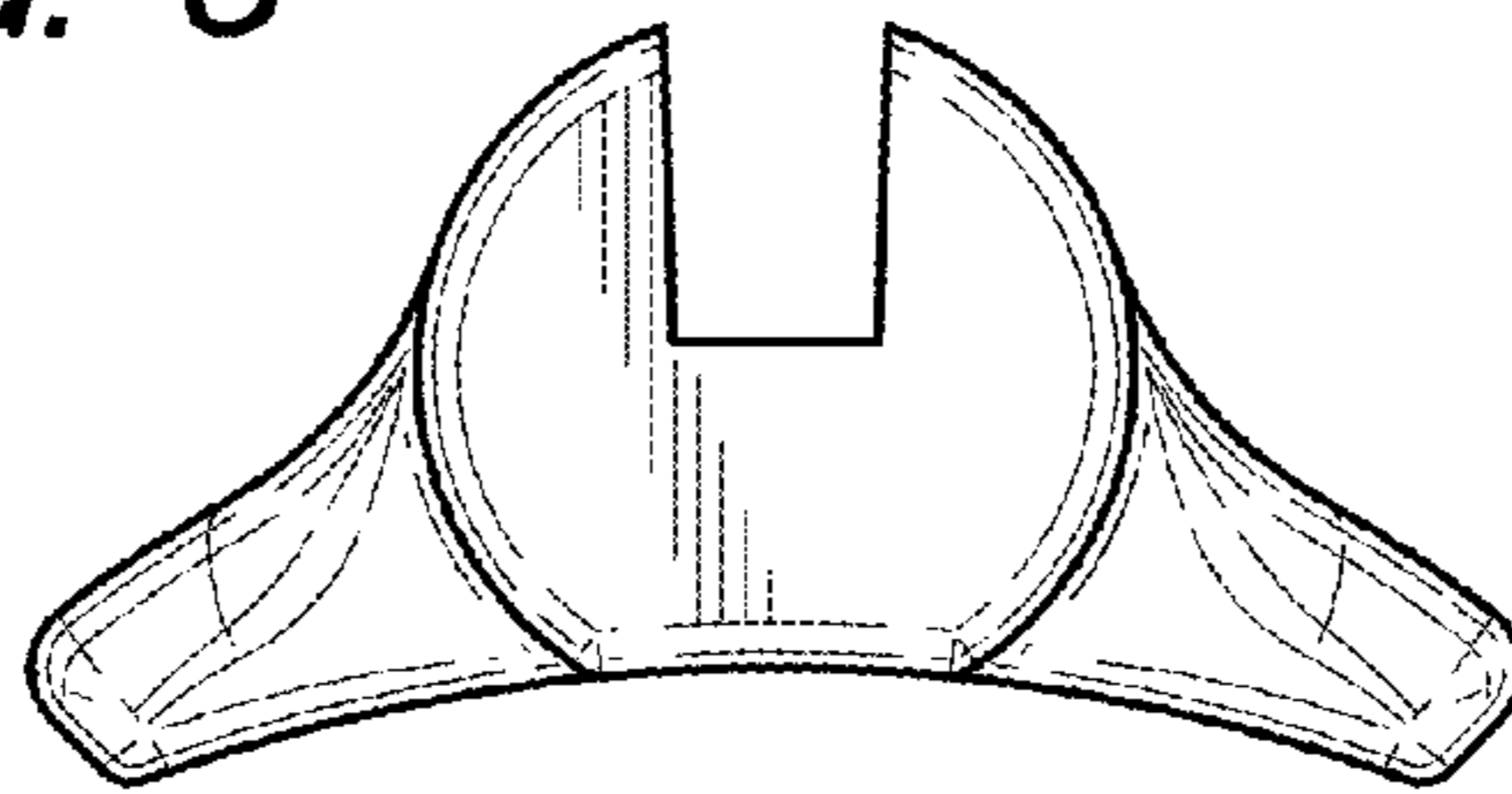


FIG. 4

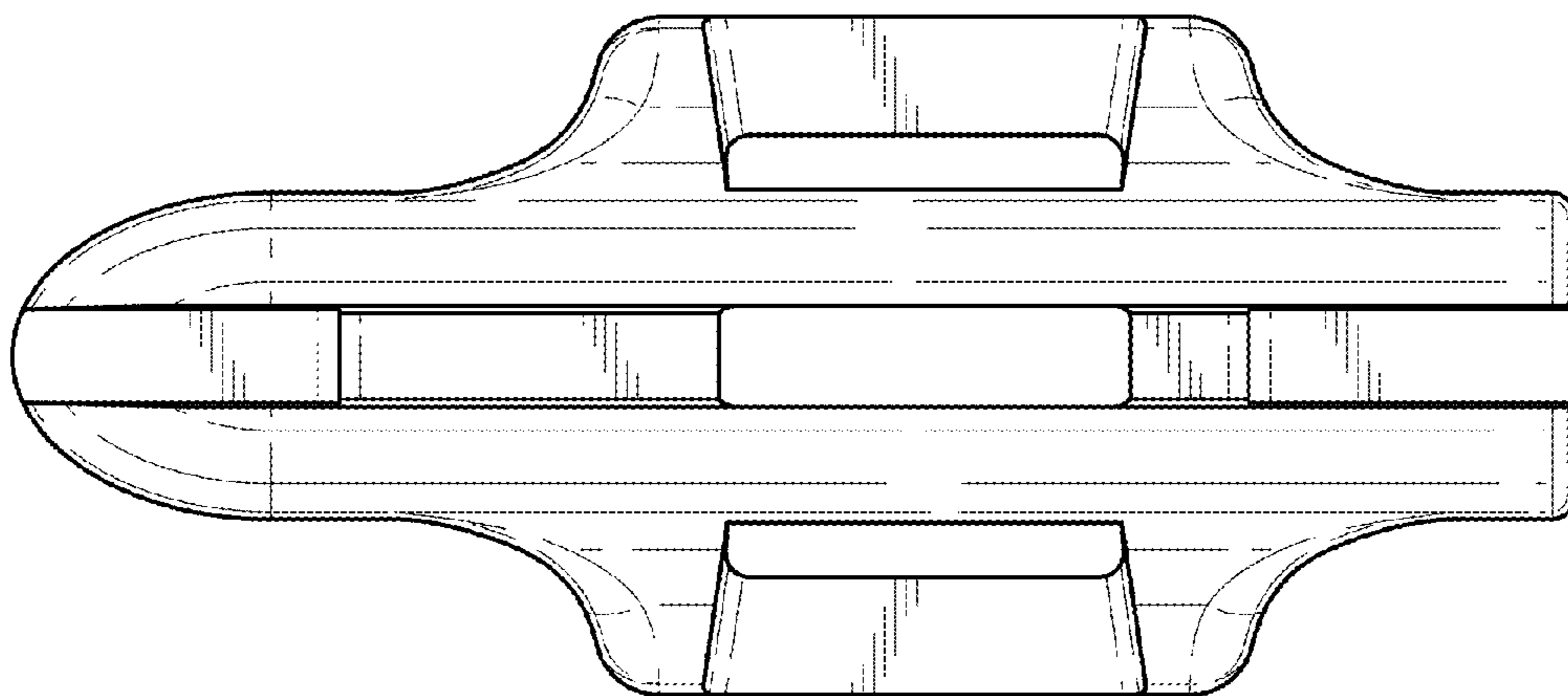


FIG. 5

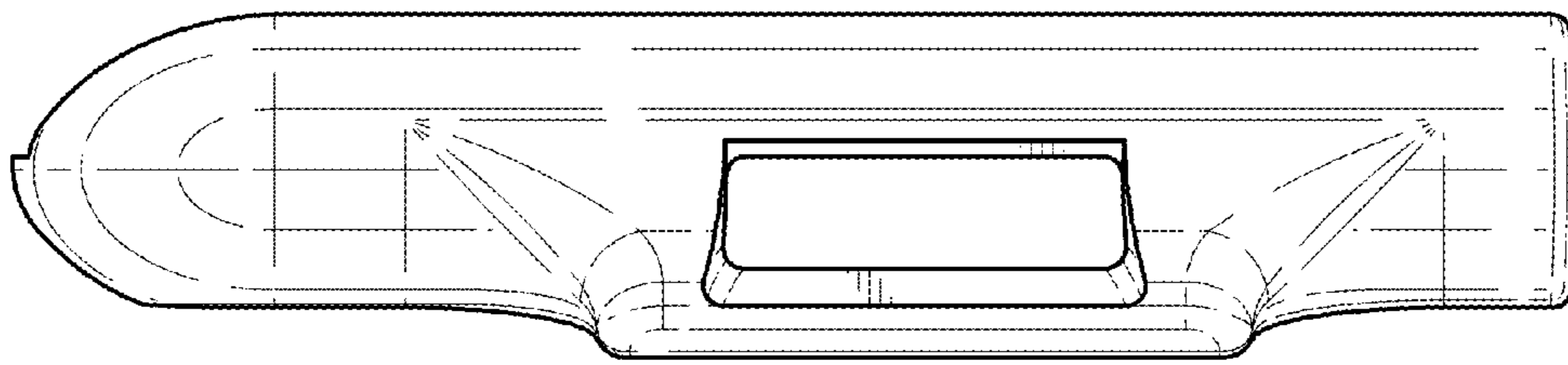


FIG. 6

