



US00D701746S

(12) **United States Design Patent**
Stevens et al.

(10) **Patent No.:** **US D701,746 S**
(45) **Date of Patent:** **** Apr. 1, 2014**

- (54) **LOCK**
- (71) Applicant: **Master Lock Company LLC**, Oak Creek, WI (US)
- (72) Inventors: **Scott B. Stevens**, St. Francis, WI (US); **Justin Matuszek**, Frankville, WI (US)
- (73) Assignee: **Master Lock Company LLC**, Oak Creek, WI (US)

- D80,385 S 1/1930 Maxwell
- D92,117 S 4/1934 Stone
- D92,377 S 5/1934 Stone
- D99,554 S * 5/1936 Slaymaker D8/334
- D137,028 S 1/1944 Papkin
- D143,245 S 12/1945 Soref
- D143,271 S 12/1945 Collura
- 2,904,985 A 9/1959 Murphy
- D197,300 S 1/1964 Maffei

(Continued)

- (**) Term: **14 Years**
- (21) Appl. No.: **29/464,857**
- (22) Filed: **Aug. 21, 2013**

Related U.S. Application Data

- (62) Division of application No. 29/423,247, filed on May 30, 2012.
- (51) **LOC (10) Cl.** **08-07**
- (52) **U.S. Cl.**
USPC **D8/334**
- (58) **Field of Classification Search**
USPC D8/330-347; 70/14, 20-28, 31, 32, 39, 70/41, 52-56, 86, 314, 423, DIG. 43, 70/DIG. 56, 38 A, DIG. 3, DIG. 4
See application file for complete search history.

(56) **References Cited**

U.S. PATENT DOCUMENTS

- D38,960 S * 12/1907 Johnson D8/334
- 1,016,455 A 2/1912 Stone
- 1,106,455 A 8/1914 Stone
- D47,239 S 4/1915 Page
- 1,642,480 A 9/1927 Beard

OTHER PUBLICATIONS

Master Lock, No. 175 Padlocks Product Description, Master Lock web site, copyright 2003.

(Continued)

Primary Examiner — Prabhakar Deshmukh

(74) *Attorney, Agent, or Firm* — Calfee, Halter & Griswold LLP

(57) **CLAIM**

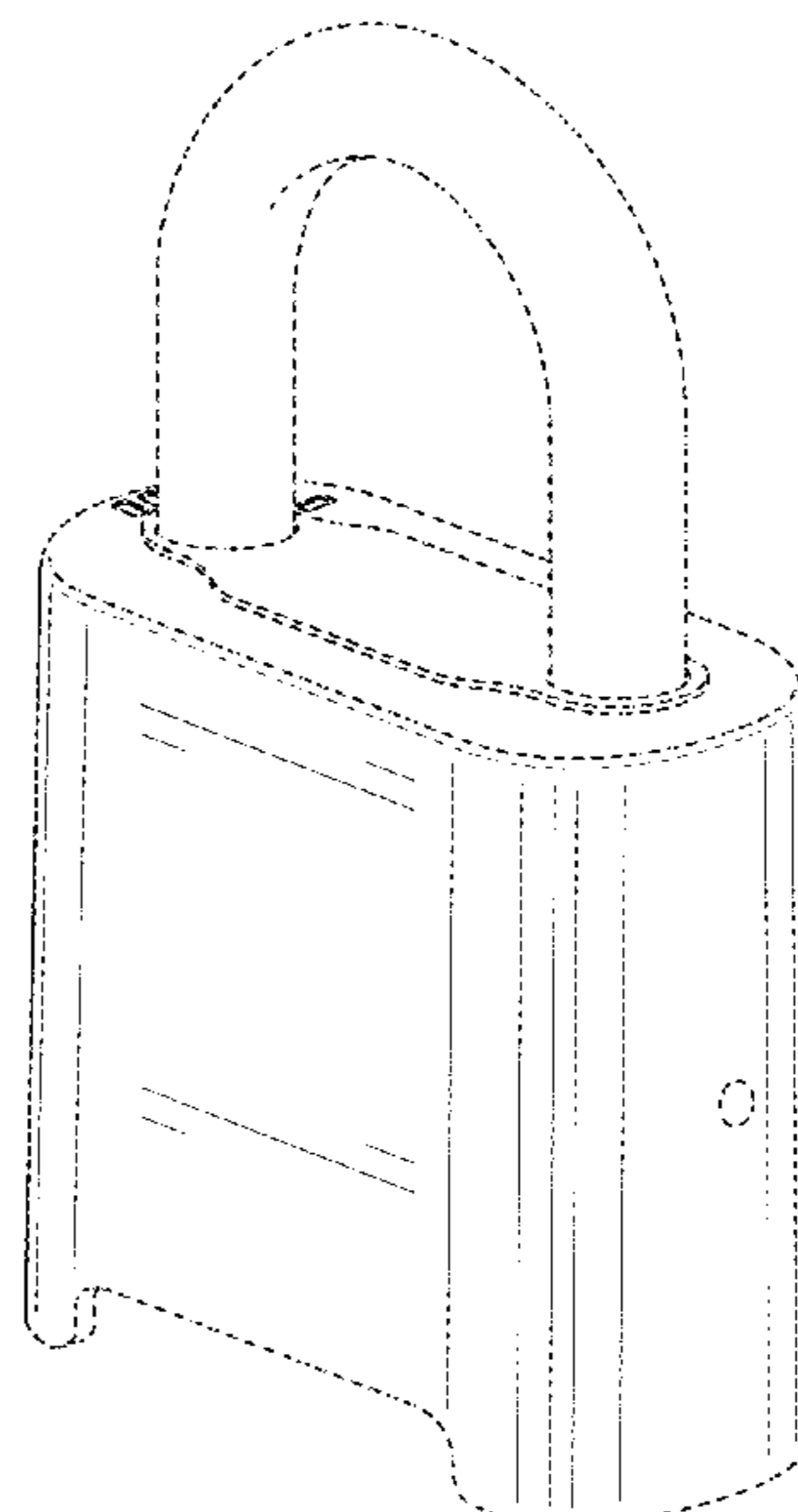
We claim the ornamental design for a lock, as shown and described.

DESCRIPTION

FIG. 1 is a front perspective view of a lock of the new design; FIG. 2 is a front elevational view of the lock of FIG. 1; FIG. 3 is a rear elevational view of the lock of FIG. 1; FIG. 4 is a left side elevational view of the lock of FIG. 1; FIG. 5 is a right side elevational view of the lock of FIG. 1; FIG. 6 is a top plan view of the lock of FIG. 1; and, FIG. 7 is a bottom plan view of the lock of FIG. 1.

The portions of the Figures shown in broken lines are for illustrative purpose only and form no part of the claimed design.

1 Claim, 6 Drawing Sheets



(56)

References Cited

U.S. PATENT DOCUMENTS

3,626,729 A 12/1971 Fane et al.
 3,754,419 A 8/1973 Taylor
 3,835,675 A 9/1974 Lippisch
 3,882,699 A 5/1975 Flack et al.
 D240,590 S 7/1976 Meisner
 D241,306 S 9/1976 Foote
 4,111,014 A 9/1978 Epstein
 4,224,813 A 9/1980 Hampton
 4,226,100 A 10/1980 Hampton et al.
 4,286,445 A 9/1981 Sills
 4,317,344 A 3/1982 Barnard
 4,689,975 A 9/1987 Dunphy et al.
 D294,453 S * 3/1988 Ling D8/334
 D296,519 S 7/1988 Newman et al.
 4,938,039 A 7/1990 Tzung-I
 D314,908 S 2/1991 Pedersen
 D315,090 S 3/1991 Pedersen
 D316,955 S 5/1991 Goida et al.
 5,033,279 A 7/1991 Lebrecht
 5,156,029 A 10/1992 Heald
 D335,813 S 5/1993 Appelbaum
 D341,766 S 11/1993 Zacher et al.
 D342,009 S 12/1993 Lebrecht et al.
 D342,010 S 12/1993 Lebrecht et al.
 D353,531 S 12/1994 Kahonen
 5,664,445 A 9/1997 Chang
 5,761,935 A 6/1998 Adelmeyer
 D398,513 S 9/1998 Turner
 D406,043 S 2/1999 LeClaire
 D408,262 S 4/1999 Liu
 D411,435 S 6/1999 Matyko
 D411,730 S 6/1999 Matyko
 D423,324 S 4/2000 Liu
 D423,908 S 5/2000 Liu
 6,055,832 A 5/2000 Wyers
 D429,993 S 8/2000 Liu
 D432,391 S 10/2000 Heppner
 D449,509 S 10/2001 Liu
 D449,510 S 10/2001 Liu
 D454,293 S 3/2002 Bremicker
 D461,699 S 8/2002 Lavikainen et al.
 6,434,981 B2 * 8/2002 Fantl et al. 70/25
 D470,390 S 2/2003 Ling
 D470,743 S 2/2003 Koy
 6,530,248 B1 * 3/2003 Parker 70/14
 D484,391 S 12/2003 Hackbarth et al.
 D484,776 S 1/2004 Ruan
 D484,777 S 1/2004 Ruan
 6,708,534 B1 3/2004 Ruan
 6,766,673 B2 7/2004 Gast et al.
 6,769,277 B1 8/2004 Chang
 6,813,914 B2 11/2004 Chen

6,877,345 B1 * 4/2005 Misner et al. 70/25
 D515,908 S 2/2006 Kearns et al.
 D516,896 S 3/2006 Kearns et al.
 D518,357 S * 4/2006 Kearns et al. D8/334
 7,155,944 B1 * 1/2007 Lin 70/21
 D537,320 S 2/2007 Kearns et al.
 D537,703 S 3/2007 Kearns et al.
 D537,704 S 3/2007 Van Handel
 D543,832 S * 6/2007 Tsui D8/334
 D547,161 S 7/2007 Blomstrom et al.
 D558,025 S 12/2007 Rohde et al.
 D566,521 S 4/2008 Rohde et al.
 D577,278 S 9/2008 Rohde et al.
 D577,279 S 9/2008 Rohde et al.
 D578,864 S 10/2008 Rohde et al.
 D587,983 S * 3/2009 Zorc et al. D8/343
 D587,985 S 3/2009 Zorc et al.
 D587,986 S 3/2009 Zorc et al.
 D605,928 S 12/2009 Stevens et al.
 D606,382 S 12/2009 Stevens
 D606,841 S 12/2009 Stevens
 D606,842 S 12/2009 Stevens et al.
 D637,888 S 5/2011 Zheng
 D638,684 S 5/2011 Stevens
 D668,929 S 10/2012 Schmidt et al.
 D678,751 S 3/2013 Schmidt et al.
 D683,611 S 6/2013 Walter

OTHER PUBLICATIONS

Master Lock, Solid Brass Padlocks Product No. 6830 Description, Master Lock web site, copyright 2003.
 Master Lock, Solid Brass Padlocks Product No. 6850 Description, Master Lock web site, copyright 2003.
 Master Lock, No. 2050 Padlock Product Description, Master Lock web site, 2003, copyright 2003, copyright 2003.
 Master Lock, No. 911 Padlock Product Description, Master Lock web site, copyright 2003.
 Master Lock, Weather Tough Padlocks No. 6121 Product Description, Master Lock web site, copyright 2003.
 Master Lock, No. 140 Padlocks Product Description, Master Lock web site, copyright 2003.
 Master Lock, No. 150 Padlocks Description, Master Lock web site, copyright 2003.
 Master Lock, Combination Padlocks—No. 175, product details, Master Lock web site, copyright 2012.
 Master Lock, Products No. 175 Combination Padlocks—Product Sub-Categories, Master Lock web site, 2 pages, copyright 2012.
 Master Lock No. 1175 Combination Padlocks, Product Sub-Categories, Master Lock web site, 2 pages, copyright 2012.
 Master Lock Combination Padlocks No. 1175, product details; Master Lock web site, 2 pages, copyright 2012.

* cited by examiner

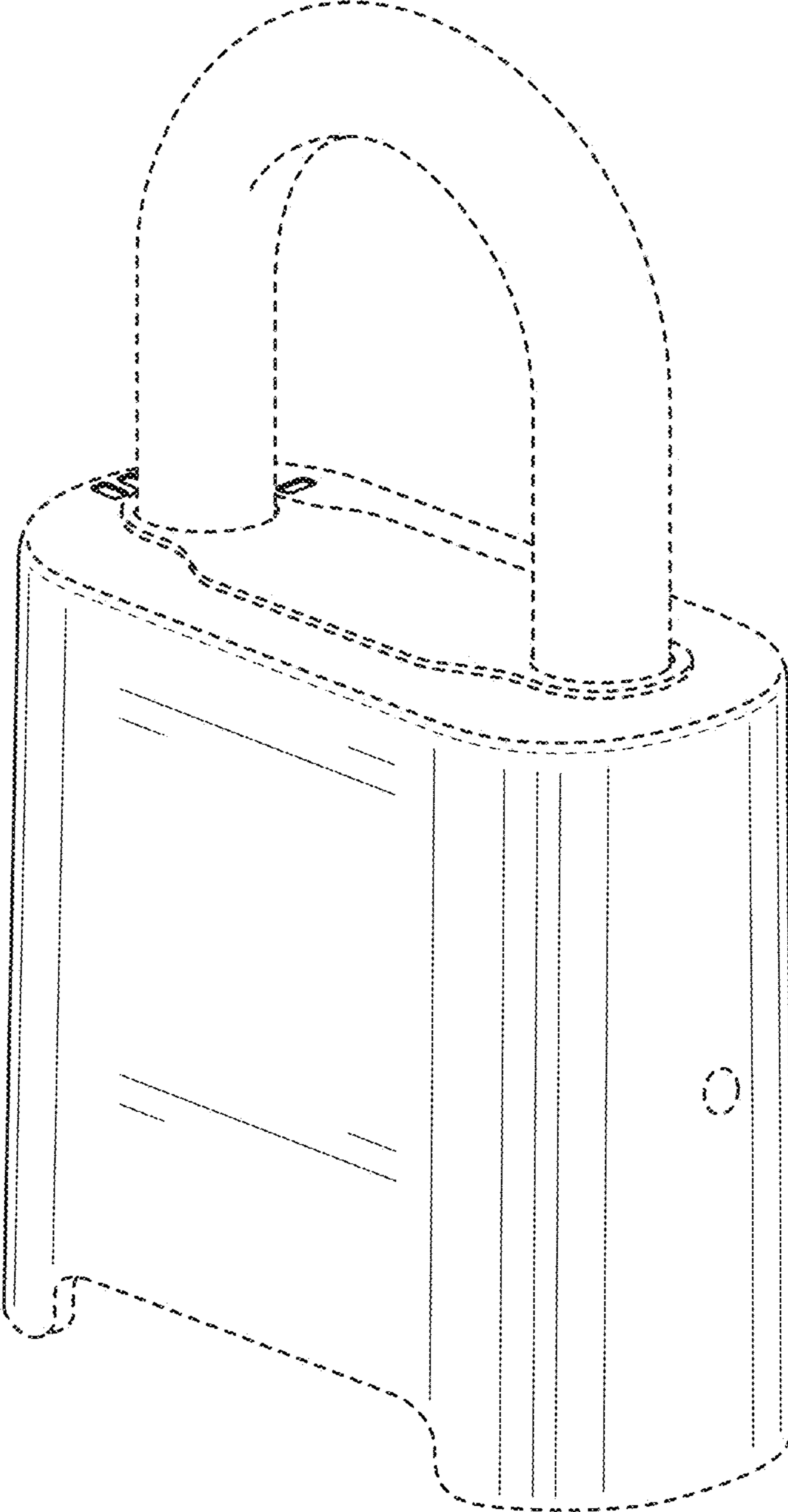


FIG. 1

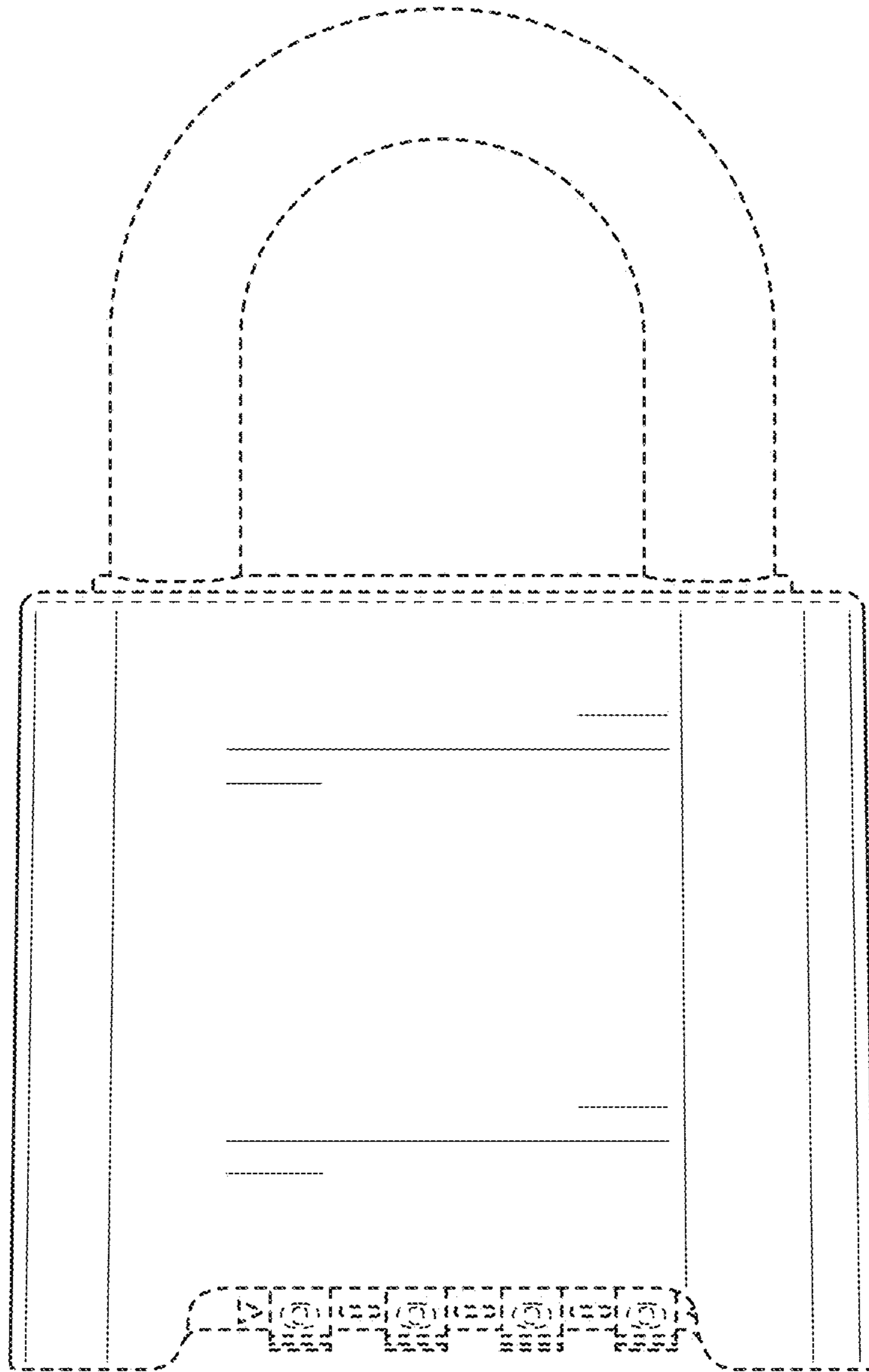


FIG. 2

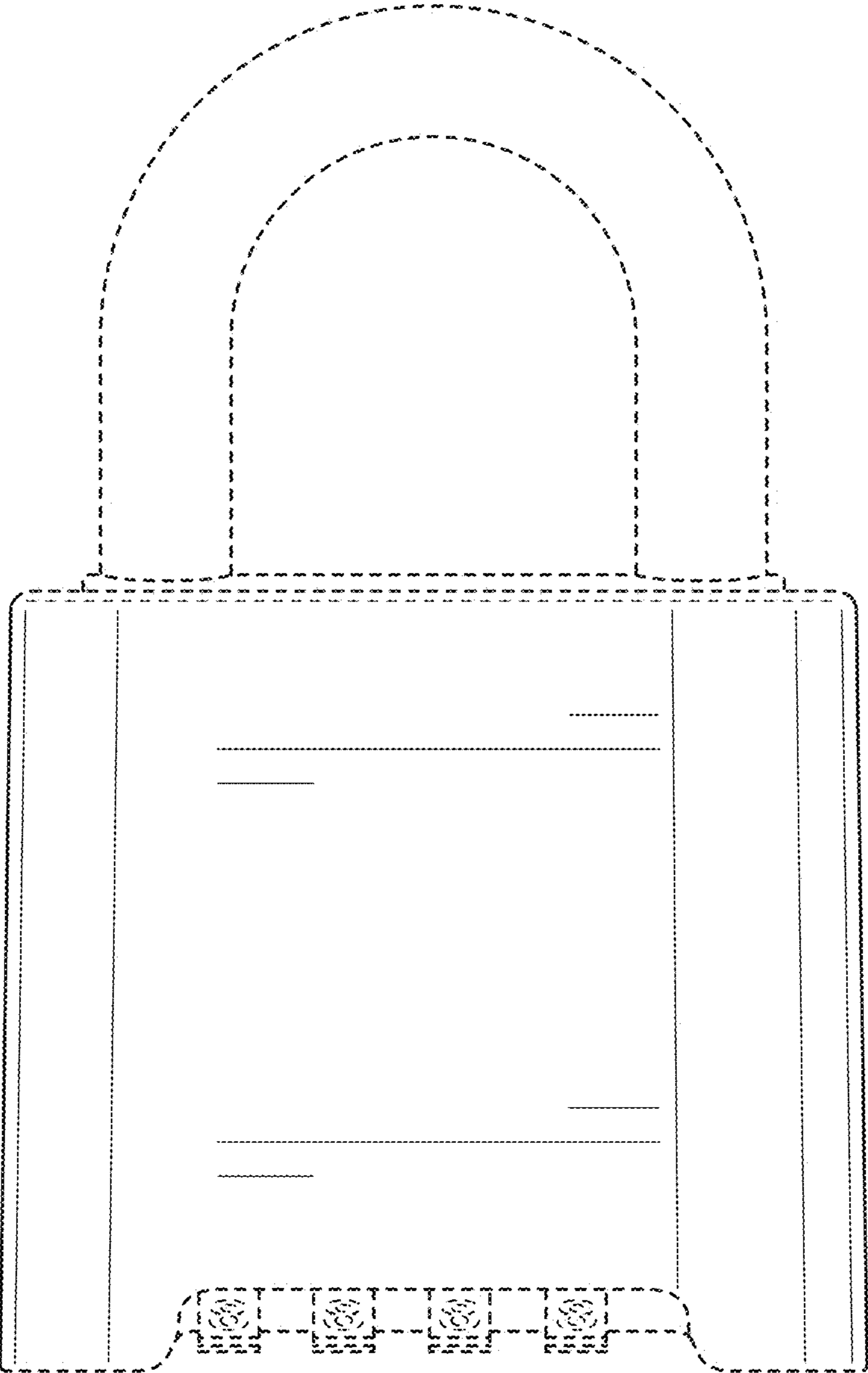


FIG. 3

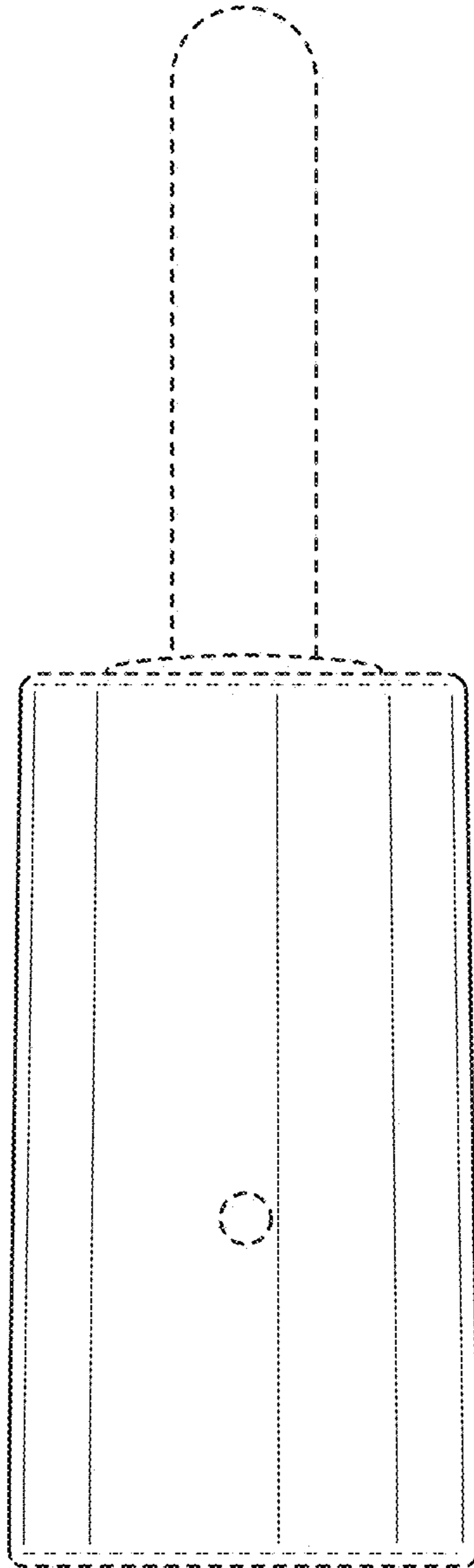


FIG. 4

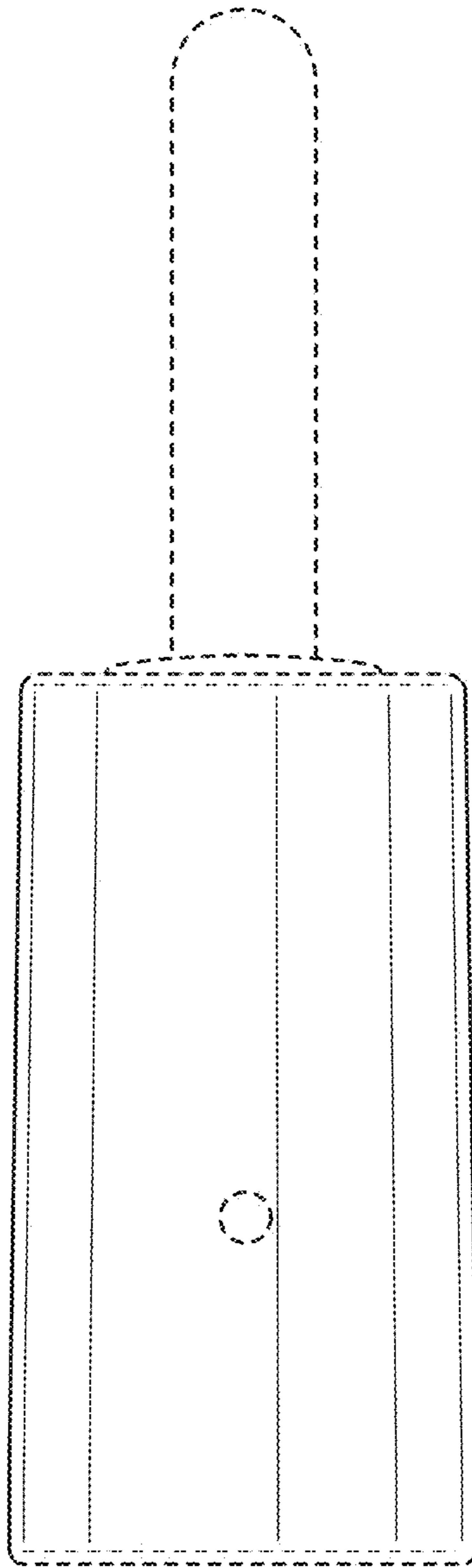


FIG. 5

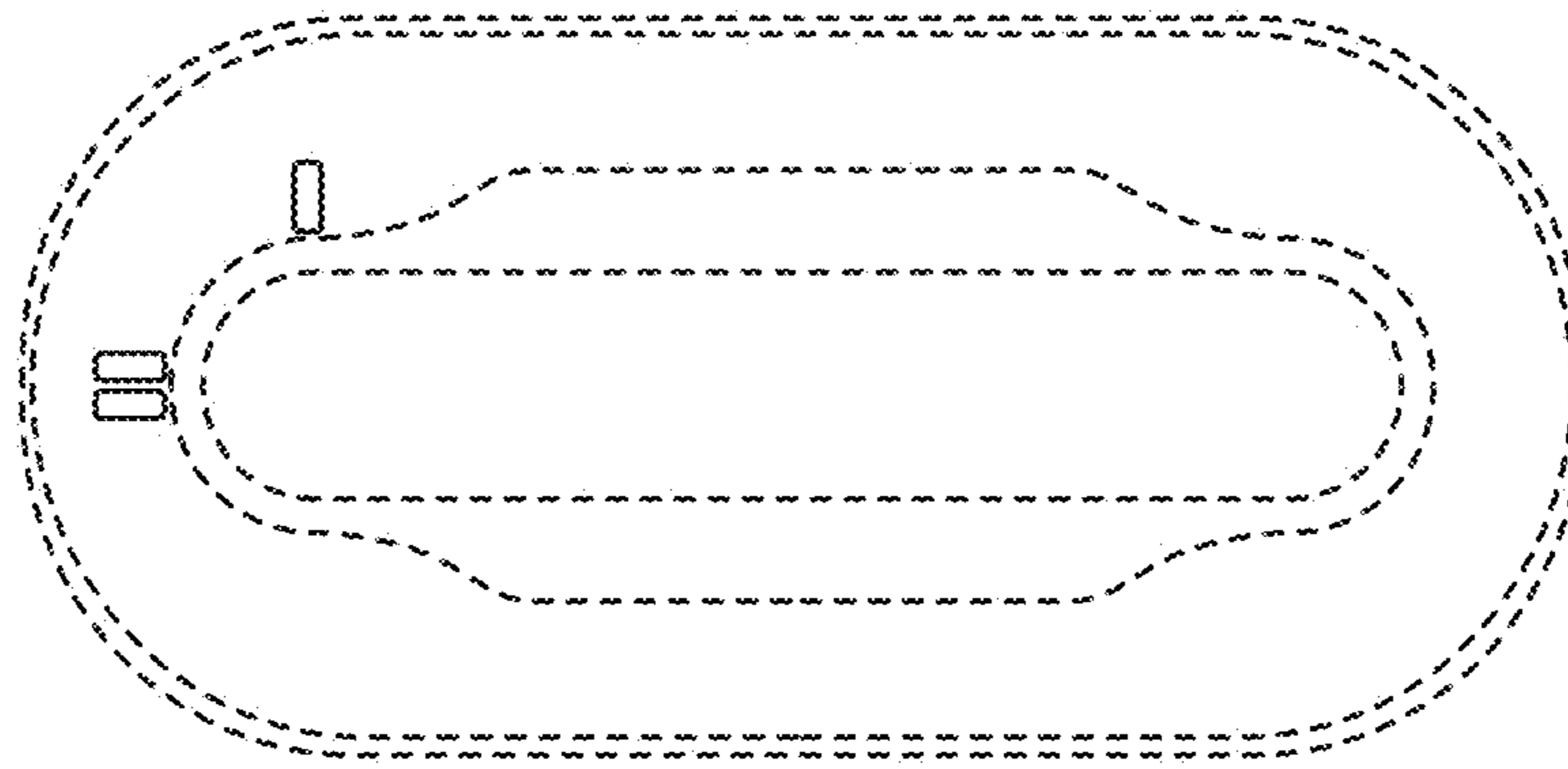


FIG. 6

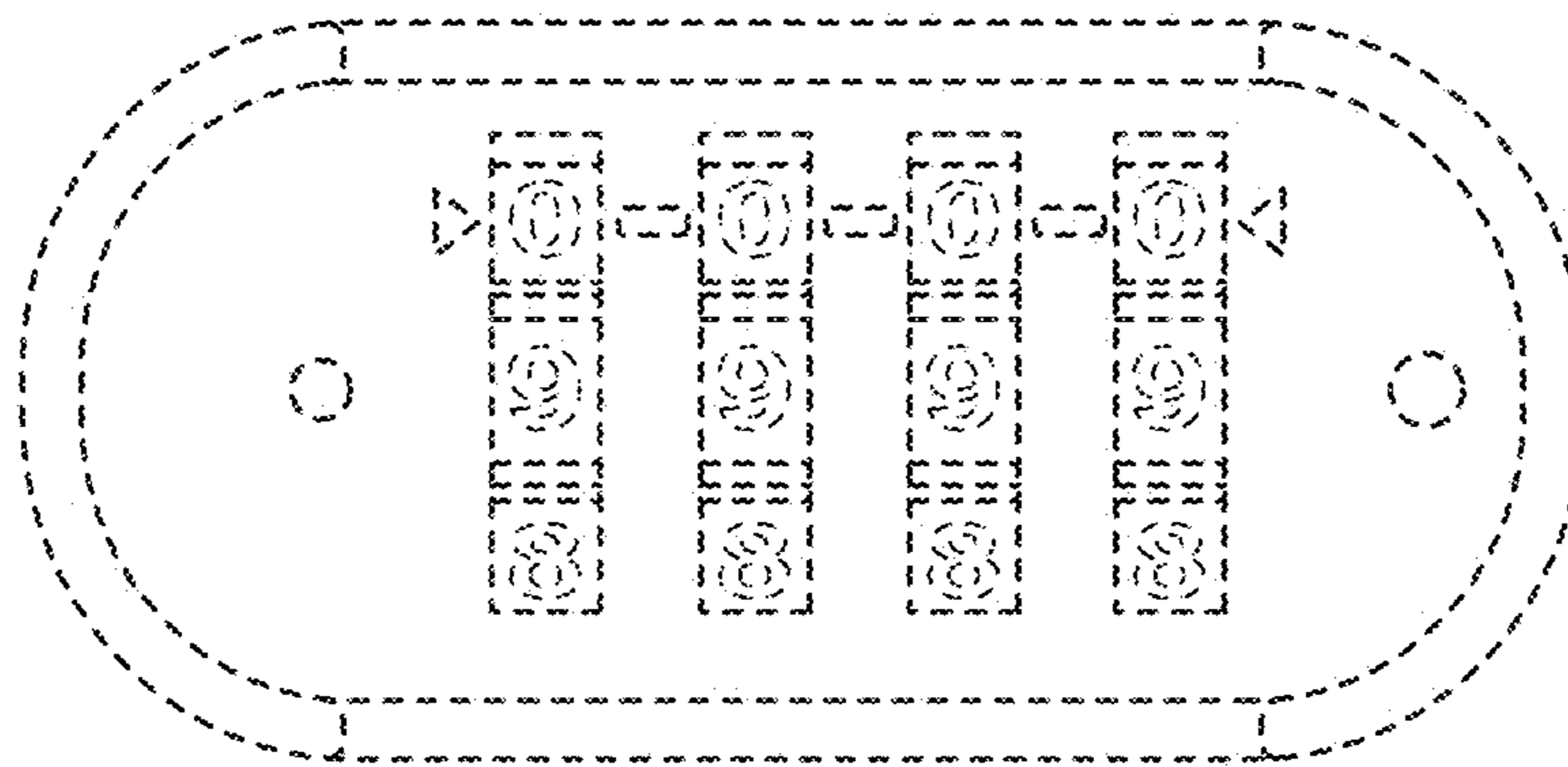


FIG. 7