



US00D701744S

(12) **United States Design Patent**  
**Weinerman et al.**

(10) **Patent No.:** **US D701,744 S**  
(45) **Date of Patent:** **\*\* Apr. 1, 2014**

(54) **HOUSING OF A LATCH ASSEMBLY**

(71) Applicant: **The Eastern Company**, Cleveland, OH (US)

(72) Inventors: **Lee S. Weinerman**, Medina, OH (US);  
**Scott Arthurs**, Brunswick, OH (US)

(73) Assignee: **The Eastern Company**, Cleveland, OH (US)

(\*\*) Term: **14 Years**

(21) Appl. No.: **29/446,218**

(22) Filed: **Feb. 21, 2013**

(51) **LOC (10) Cl.** ..... **08-07**

(52) **U.S. Cl.**  
USPC ..... **D8/331**

(58) **Field of Classification Search**  
USPC ..... D8/330, 331, 335, 339, 302, 343;  
70/141, 208; 292/336.3, 169, 358, 359,  
292/170, 175, 165, 224, 140-145, 240-242,  
292/DIG. 14, DIG. 30, DIG. 31, DIG. 4  
See application file for complete search history.

(56) **References Cited**

**U.S. PATENT DOCUMENTS**

4,706,478	A *	11/1987	Swan et al.	70/28
5,984,383	A *	11/1999	Parikh et al.	292/121
D459,192	S *	6/2002	Weinerman et al.	D8/338
6,418,761	B1 *	7/2002	Wytcherley et al.	70/208
6,513,353	B1	2/2003	Weinerman et al.	

6,623,052	B2 *	9/2003	Hansen	292/336.3
D489,957	S *	5/2004	Lane	D8/306
D533,048	S *	12/2006	Weinerman et al.	D8/331
D590,694	S *	4/2009	Stuckey	D8/331
D624,803	S *	10/2010	Frankham et al.	D8/331
D638,276	S *	5/2011	Tonizzo et al.	D8/331

**OTHER PUBLICATIONS**

Eberhard Manufacturing Company, Division of The Eastern company, "Catalog 114", 2008, p. 88.

\* cited by examiner

*Primary Examiner* — Prabhakar Deshmukh

(74) *Attorney, Agent, or Firm* — Christopher L. Parmelee; Walker & Jocke

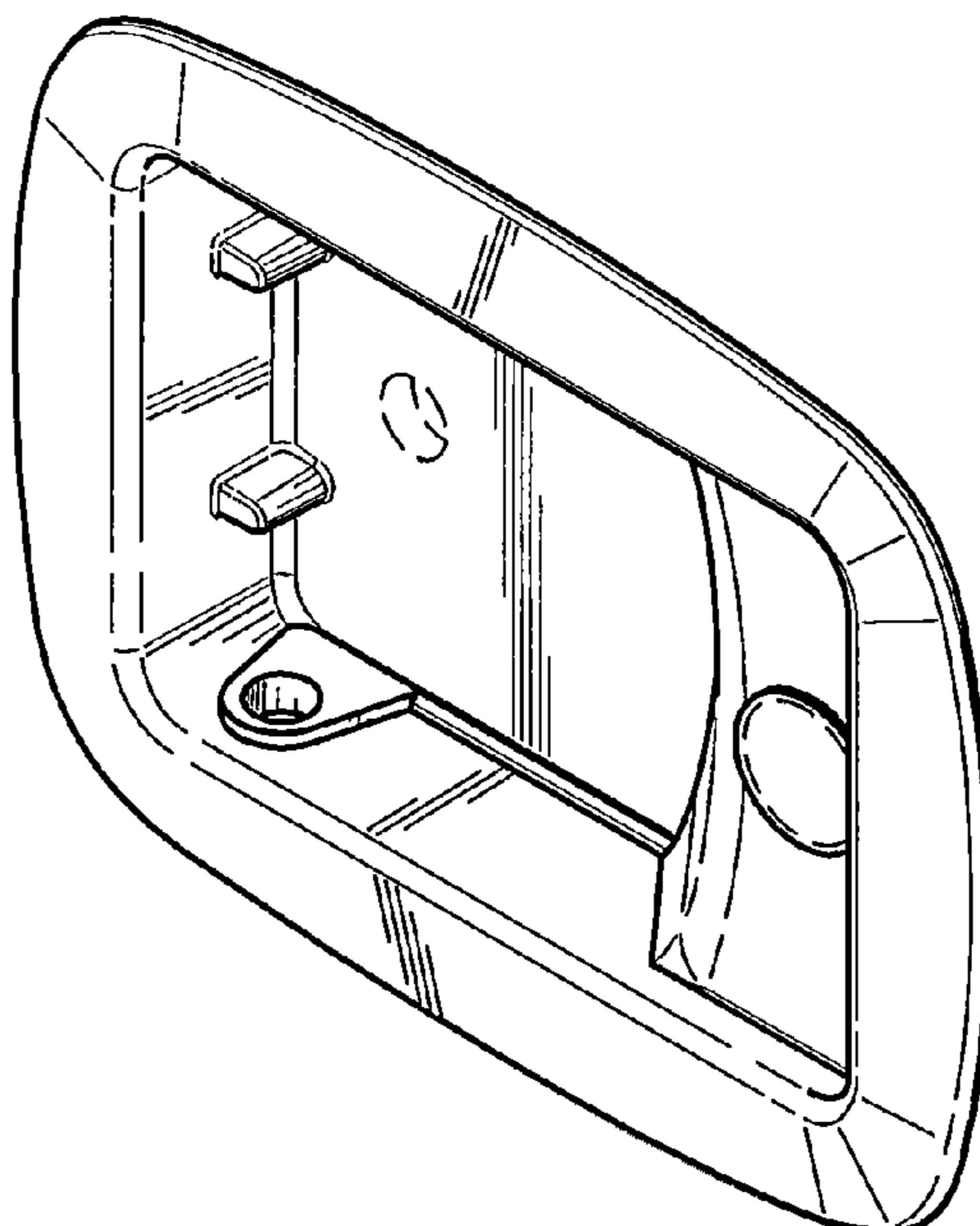
(57) **CLAIM**

The ornamental design for a housing of a latch assembly, as shown and described.

**DESCRIPTION**

FIG. 1 is bottom, front, right side perspective view of a housing of a latch assembly showing our new design. FIG. 2 is a bottom, front, left side perspective view thereof. FIG. 3 is a front view thereof. FIG. 4 is a right side view thereof, the left side thereof being a mirror image. FIG. 5 is a top view thereof; and, FIG. 6 is a bottom view thereof. The broken line disclosure in several views of other features of the housing of the latch assembly is provided for illustrative purposes only and forms no part of the claimed design.

**1 Claim, 2 Drawing Sheets**



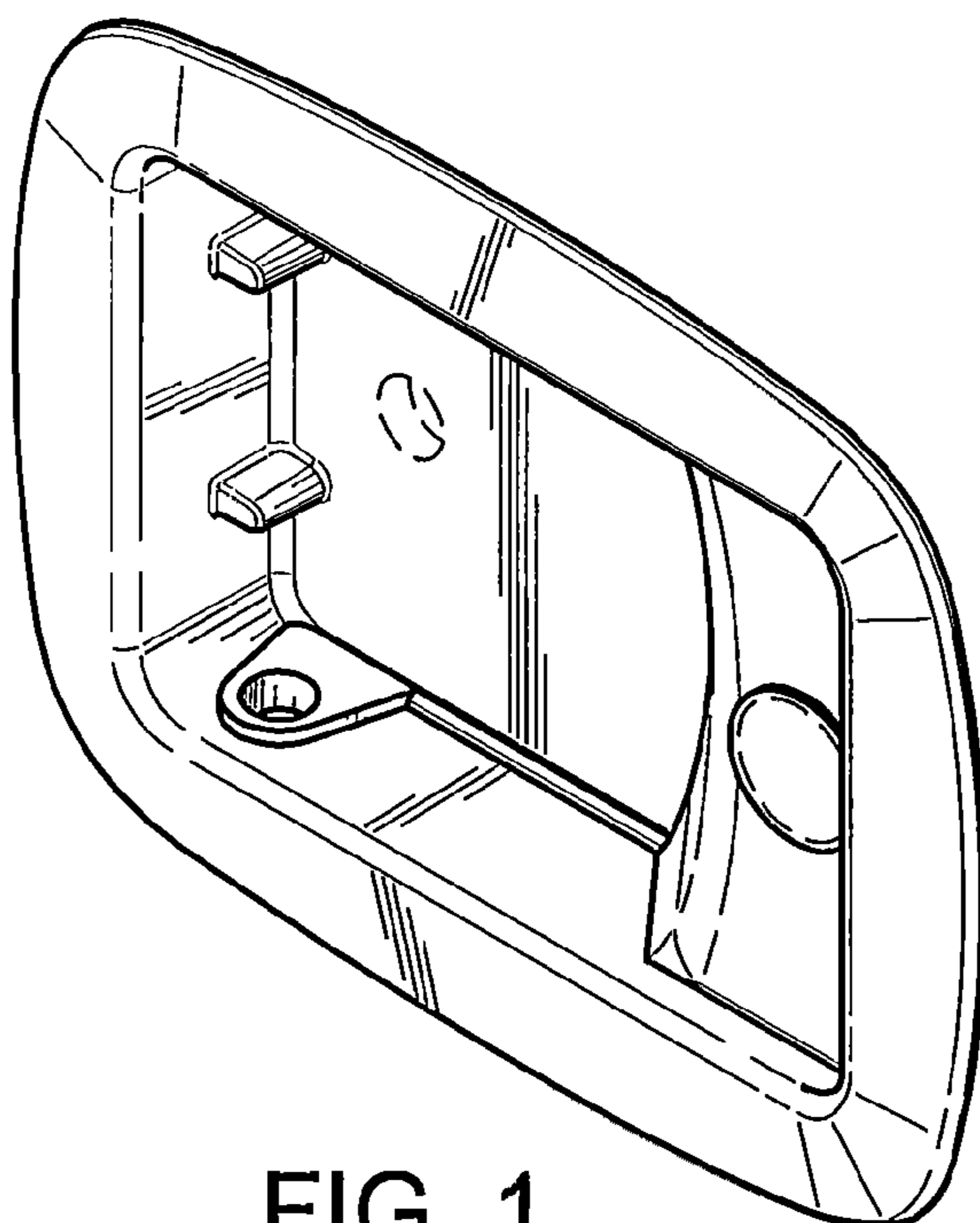


FIG. 1

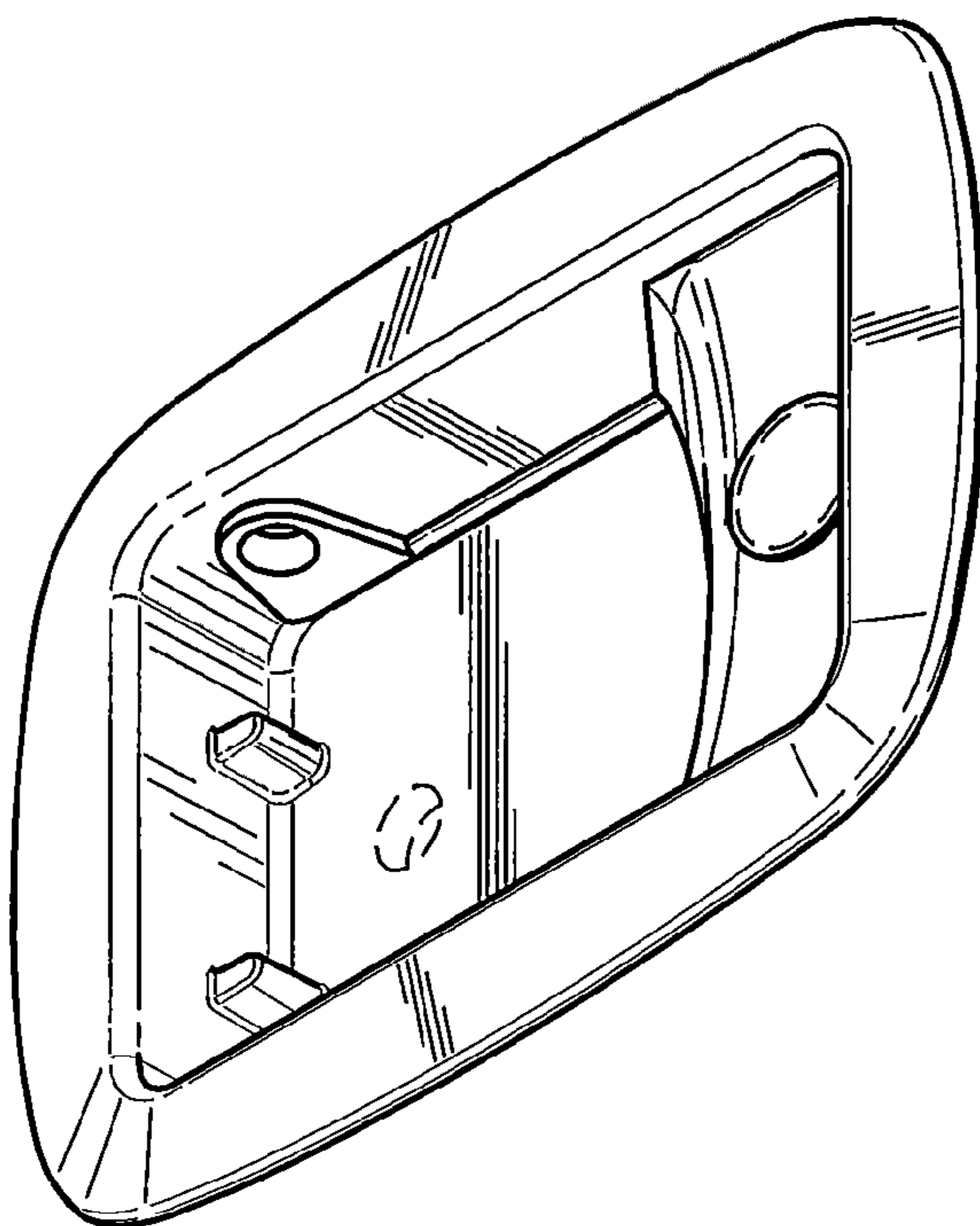


FIG. 2

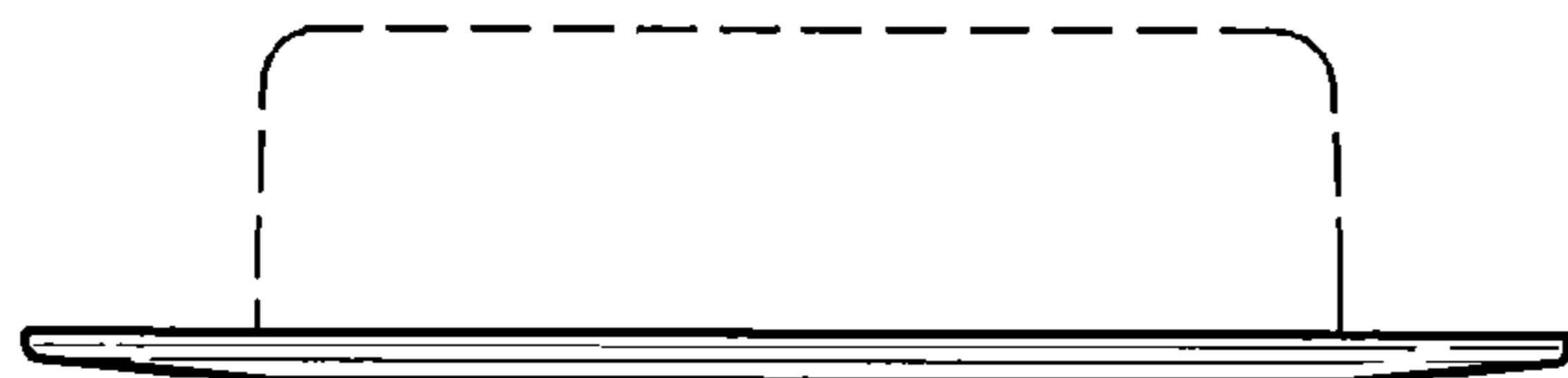


FIG. 5

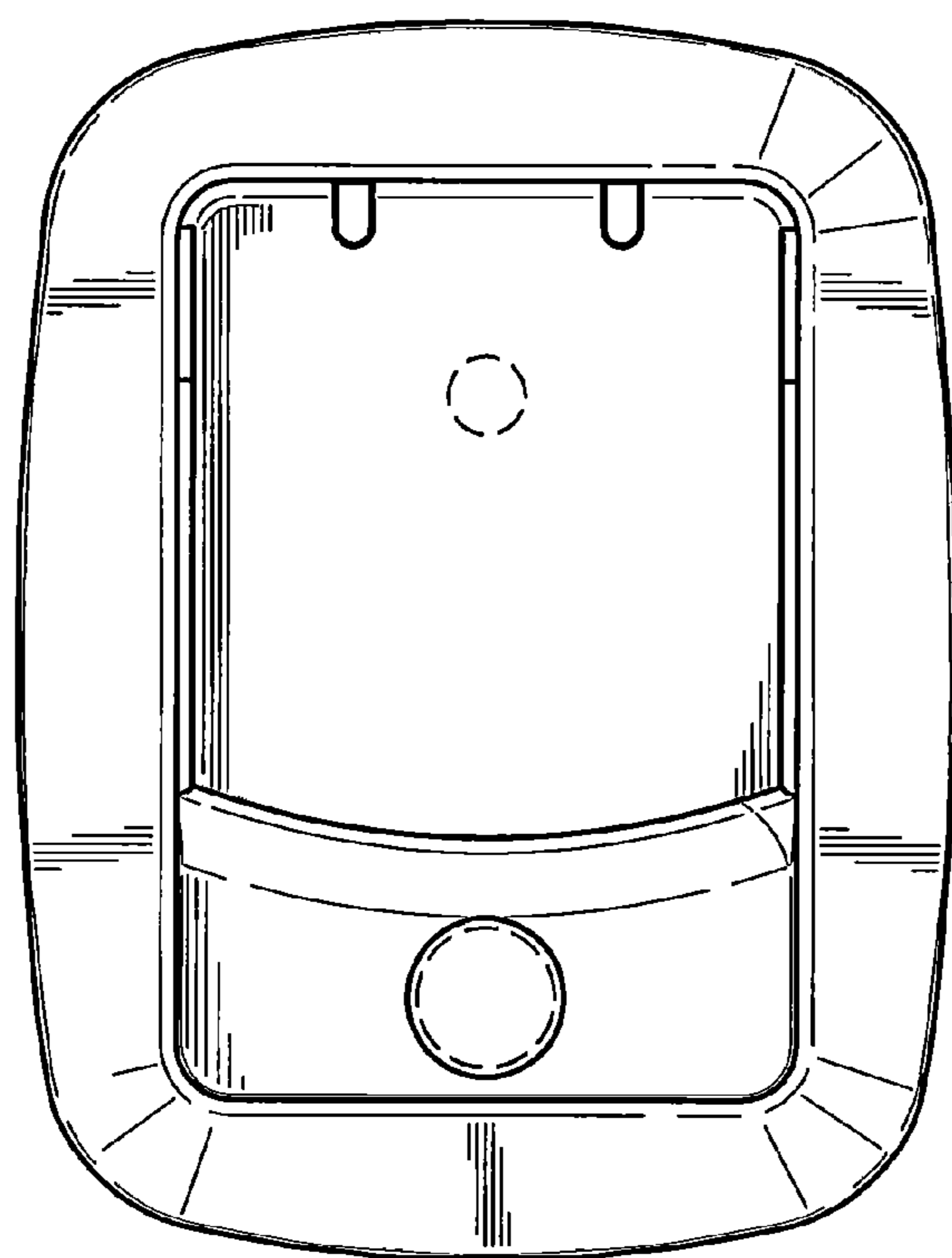


FIG. 3

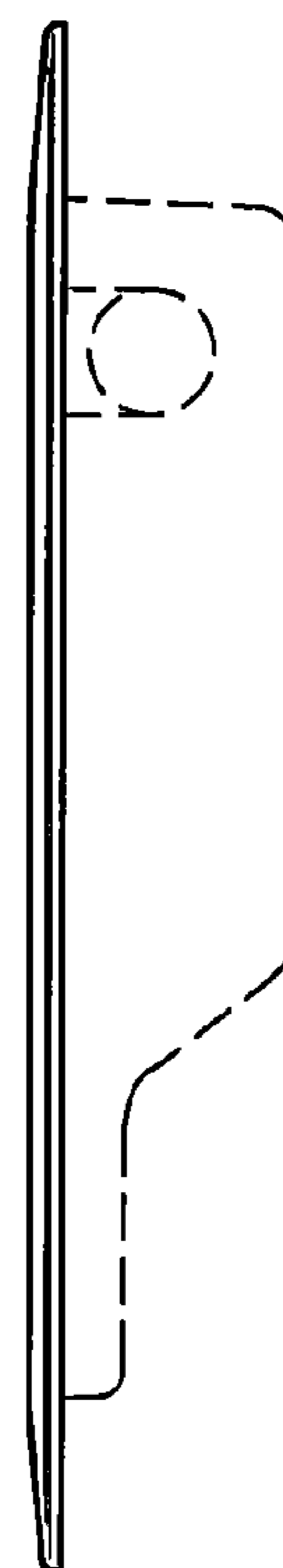


FIG. 4

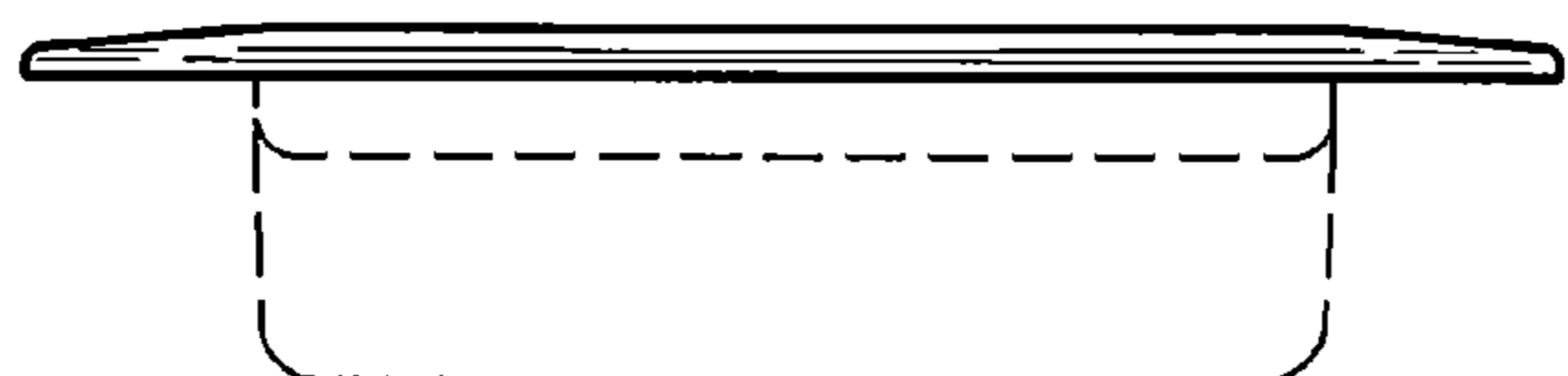


FIG. 6