



US00D701739S

(12) **United States Design Patent**  
**Rubin et al.**

(10) **Patent No.:** **US D701,739 S**  
(45) **Date of Patent:** **\*\* Apr. 1, 2014**

(54) **MINIATURE COMPACT DRIVER TOOL**

(75) Inventors: **Bennett S. Rubin**, Pepper Pike, OH (US); **Richard C. Adamany**, Chagrin Falls, OH (US)

(73) Assignee: **Interdesign, Inc.**, Solon, OH (US)

(\*\*) Term: **14 Years**

(21) Appl. No.: **29/423,898**

(22) Filed: **Jun. 6, 2012**

(51) **LOC (10) Cl.** ..... **08-04**

(52) **U.S. Cl.**  
USPC ..... **D8/85**; D8/87

(58) **Field of Classification Search**  
USPC ..... D3/210; D8/82-87, 98-99, 105, 107;  
7/165, 167, 169; 81/177.1-177.7, 436,  
81/438, 489; 362/120

See application file for complete search history.

(56) **References Cited**

**U.S. PATENT DOCUMENTS**

|           |     |         |                  |          |
|-----------|-----|---------|------------------|----------|
| 4,836,066 | A * | 6/1989  | Graham et al.    | 81/177.4 |
| D336,415  | S * | 6/1993  | Cheng            | D8/105   |
| 5,454,746 | A * | 10/1995 | Guegan et al.    | 446/72   |
| 5,515,249 | A   | 5/1996  | Shiao            |          |
| D373,061  | S * | 8/1996  | Macor            | D8/85    |
| 5,669,492 | A * | 9/1997  | Chao             | 206/234  |
| 5,916,277 | A   | 6/1999  | Dallas           |          |
| 6,027,224 | A   | 2/2000  | Schnell          |          |
| 6,273,582 | B1  | 8/2001  | Taggart et al.   |          |
| 6,352,010 | B1  | 3/2002  | Giarritta et al. |          |
| D460,579  | S * | 7/2002  | Chen             | D27/157  |
| D475,481  | S * | 6/2003  | Xu               | D27/142  |
| 7,114,825 | B1  | 10/2006 | Bauman           |          |

|              |      |         |                 |           |
|--------------|------|---------|-----------------|-----------|
| D564,387     | S *  | 3/2008  | Rubin et al.    | D10/104.1 |
| D603,240     | S *  | 11/2009 | Kunzendorf      | D8/105    |
| 7,722,206    | B2   | 5/2010  | Anderson et al. |           |
| D657,650     | S *  | 4/2012  | Rubin et al.    | D8/105    |
| 2007/0251355 | A1 * | 11/2007 | Kao             | 81/177.4  |

**OTHER PUBLICATIONS**

XDrive™ Compact Driver Tool. Snagged Mar. 20, 2013 at <http://www.swisstechtools.com/proddetail.aspx?PID=47>.\*

\* cited by examiner

*Primary Examiner* — Philip S Hyder

*Assistant Examiner* — Roselynn Cody

(74) *Attorney, Agent, or Firm* — D. Peter Hochberg; Sean F. Mellino; Richard A. Wolf

(57) **CLAIM**

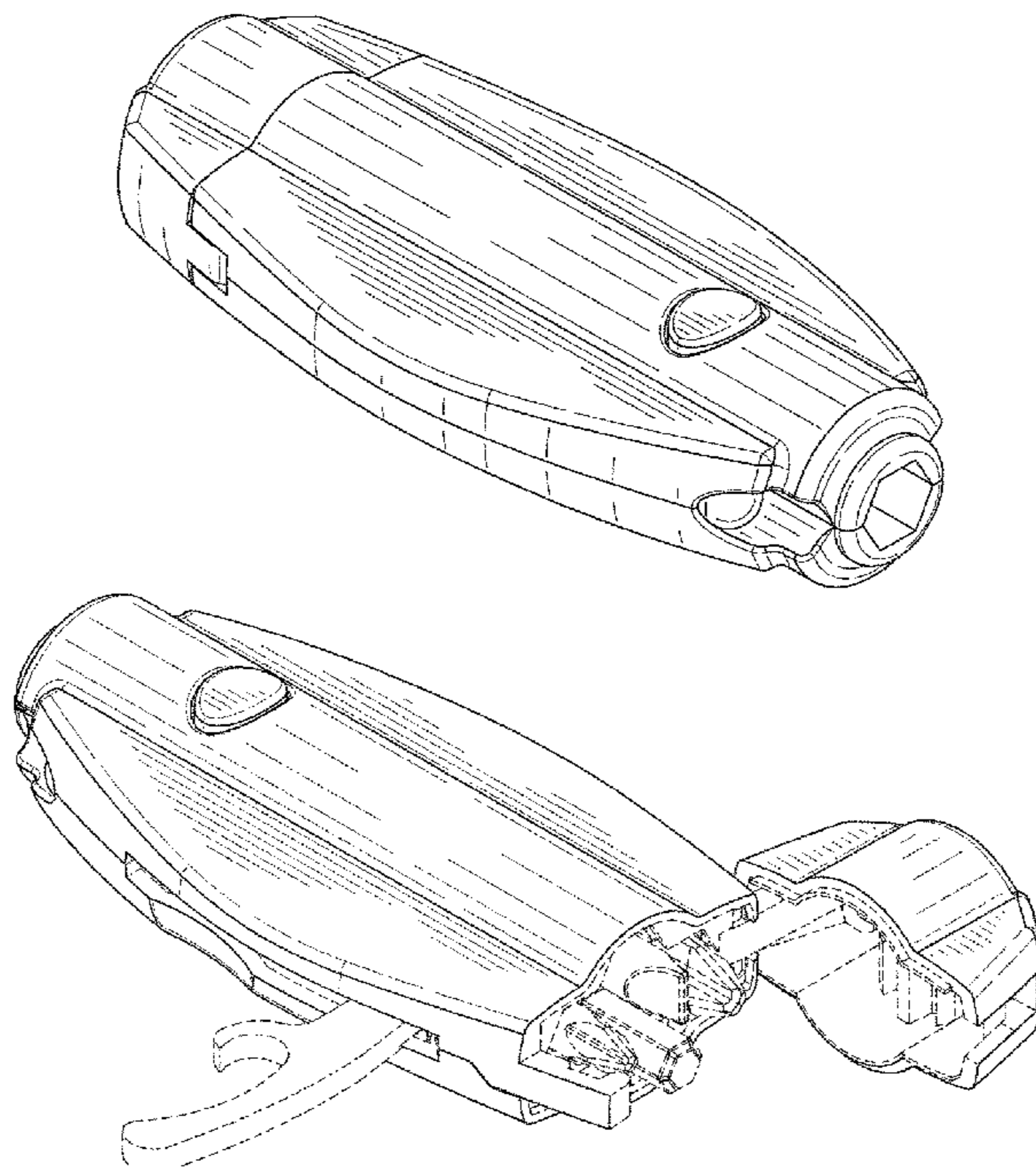
The ornamental design for a miniature compact driver tool, as shown and described.

**DESCRIPTION**

FIG. 1 is a perspective top, left side, front view of the miniature compact driver tool;  
FIG. 2 is a perspective bottom, right side, rear view thereof;  
FIG. 3 is a top plan view thereof;  
FIG. 4 is a bottom plan view thereof;  
FIG. 5 is a right side view thereof;  
FIG. 6 is a left side view thereof;  
FIG. 7 is a front view thereof;  
FIG. 8 is a rear view thereof;  
FIG. 9 is a perspective top, right side, rear view of the miniature compact driver tool with a component holding cover in a fully open position;  
FIG. 10 is a bottom view thereof; and,  
FIG. 11 is a rear view thereof.

The broken lines in the drawings illustrate features of the miniature compact driver tool that form no part of the claim.

**1 Claim, 4 Drawing Sheets**



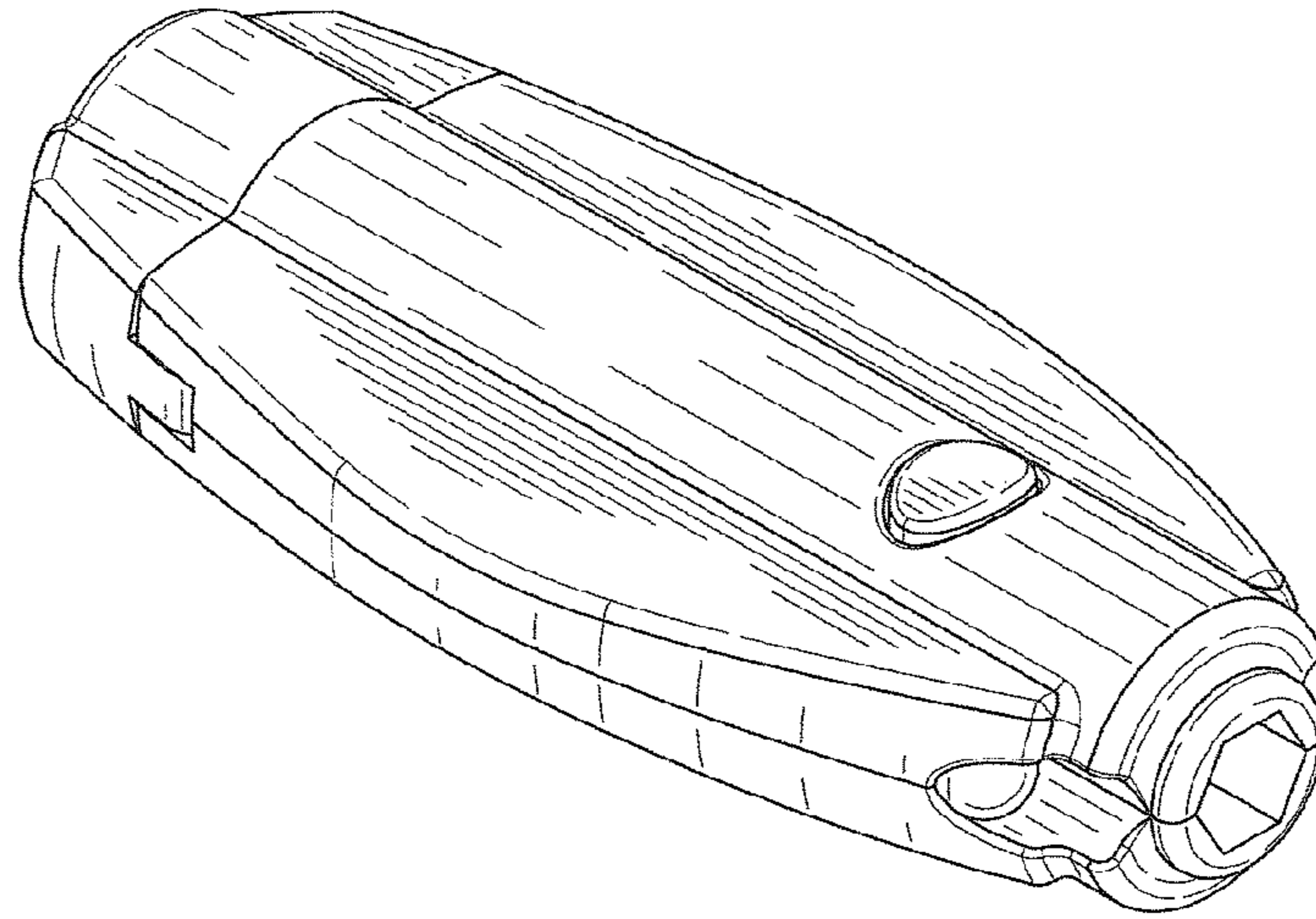


FIG-1

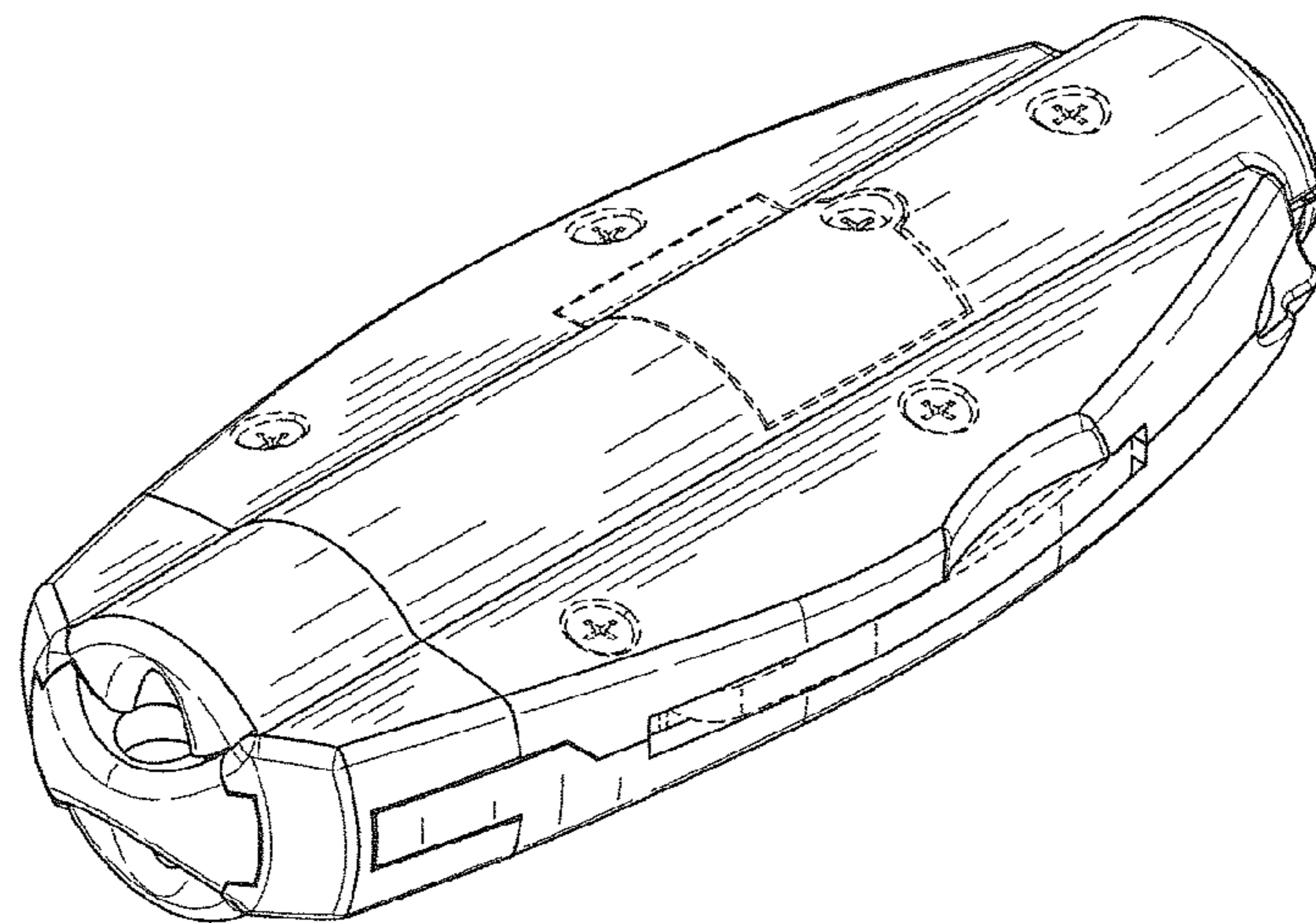


FIG-2

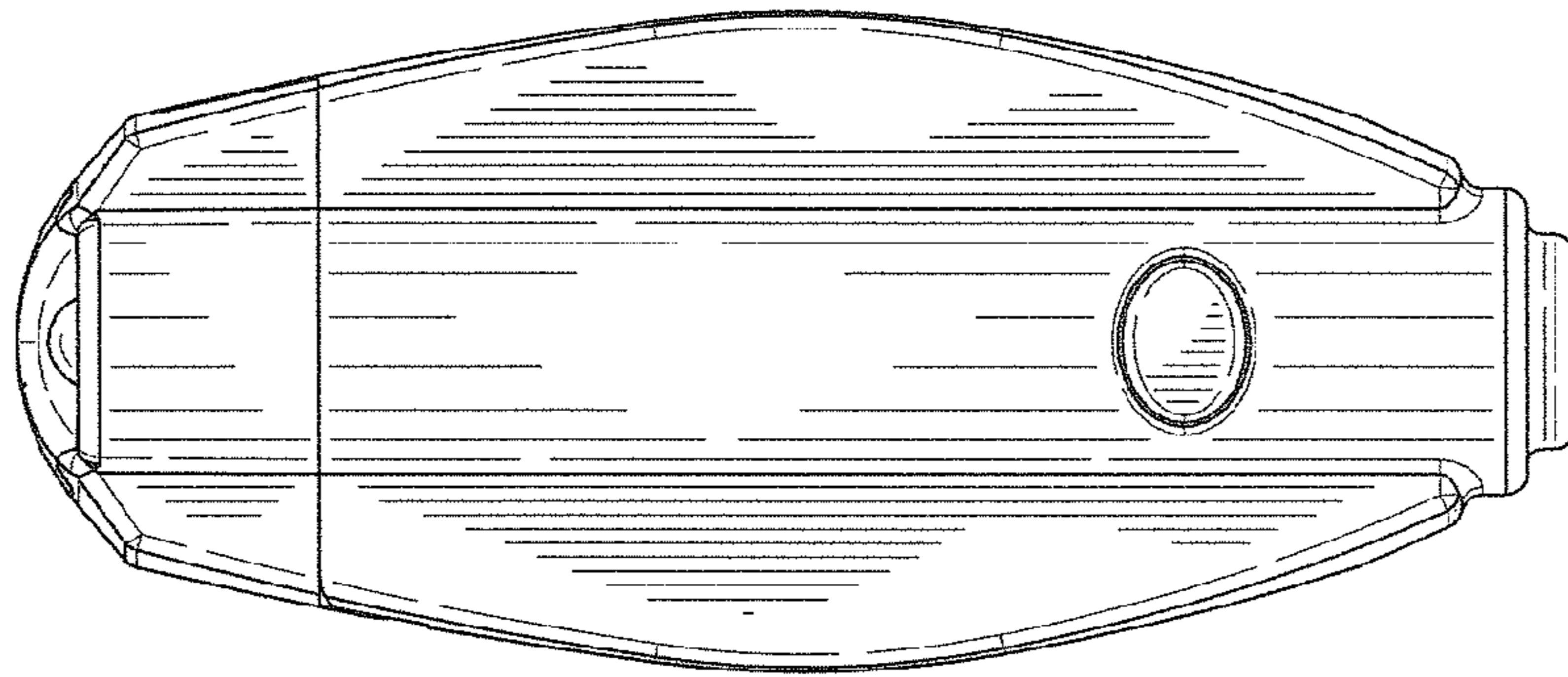


FIG-3

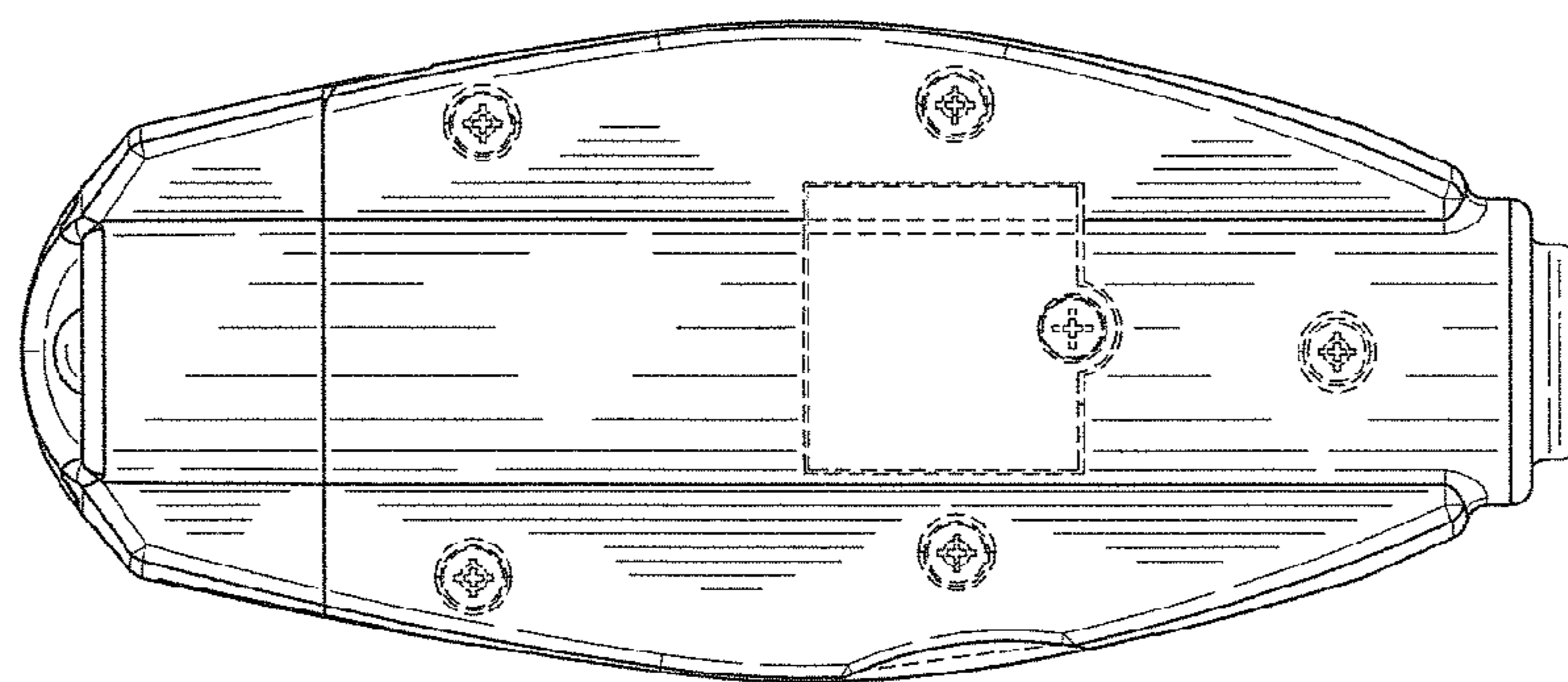


FIG-4

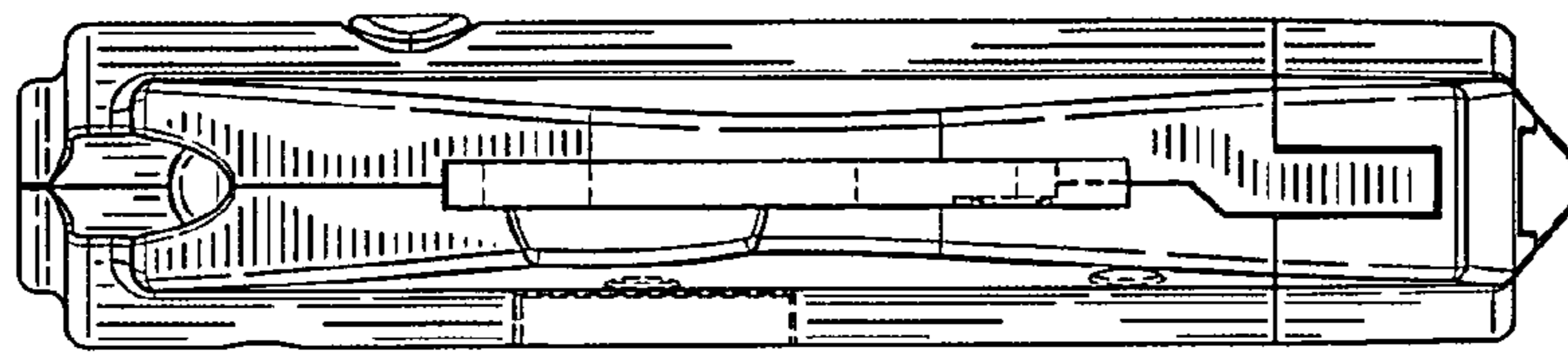


FIG-5

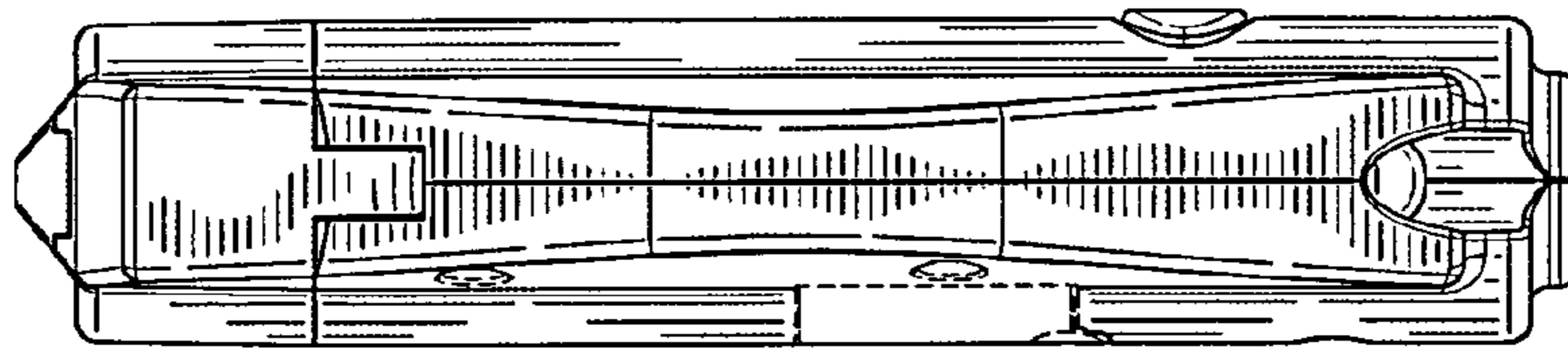


FIG-6

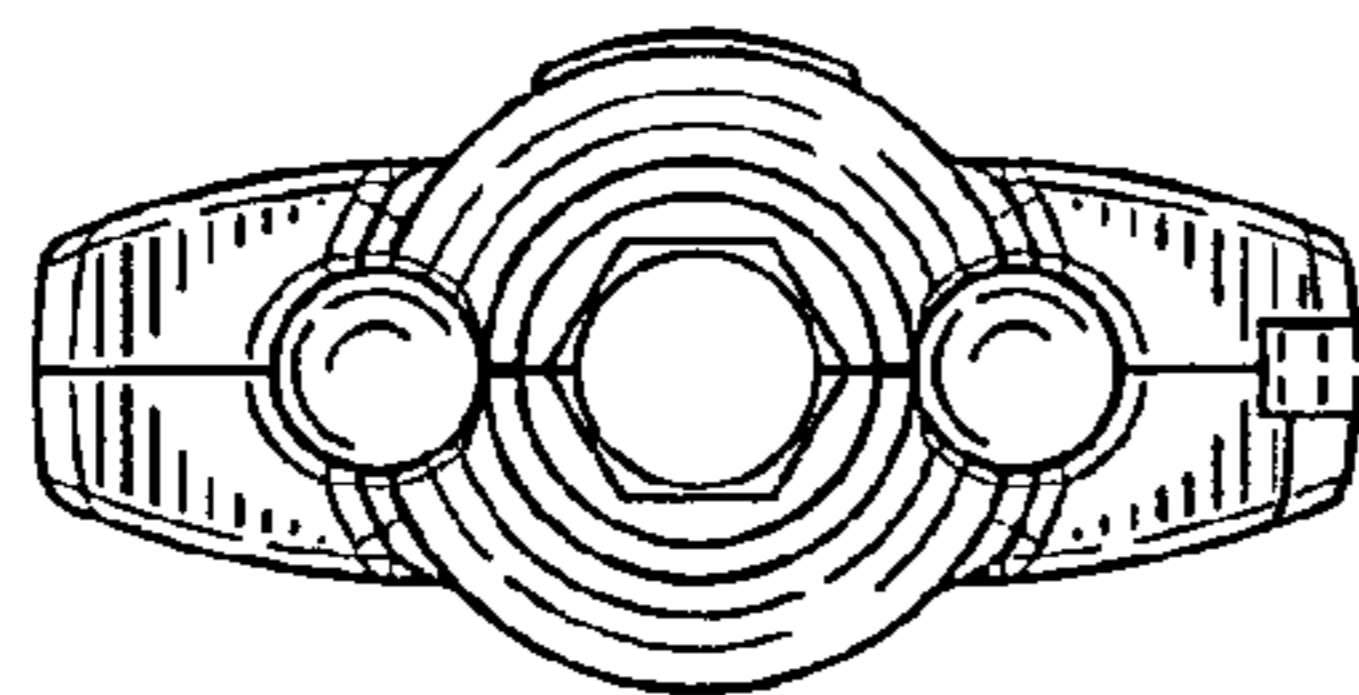


FIG-7

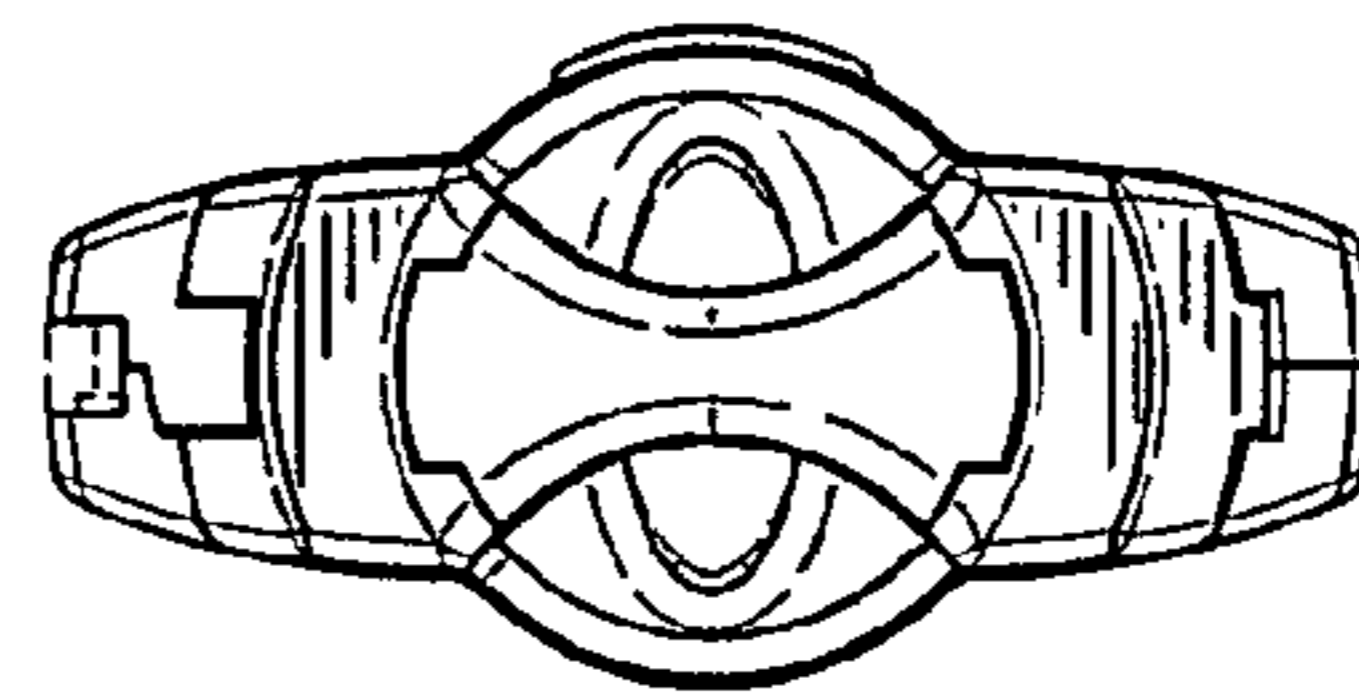


FIG-8

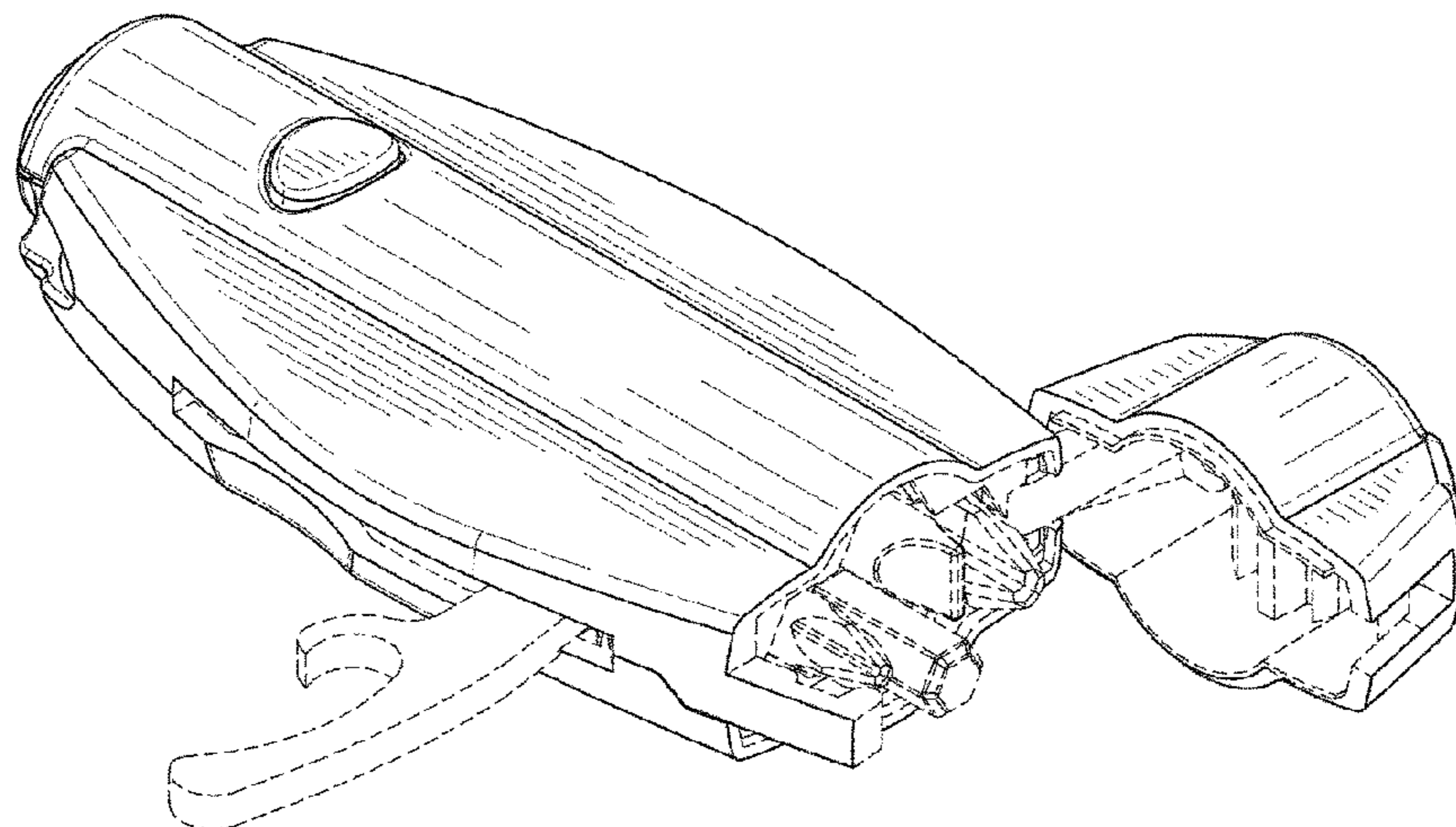


FIG-9

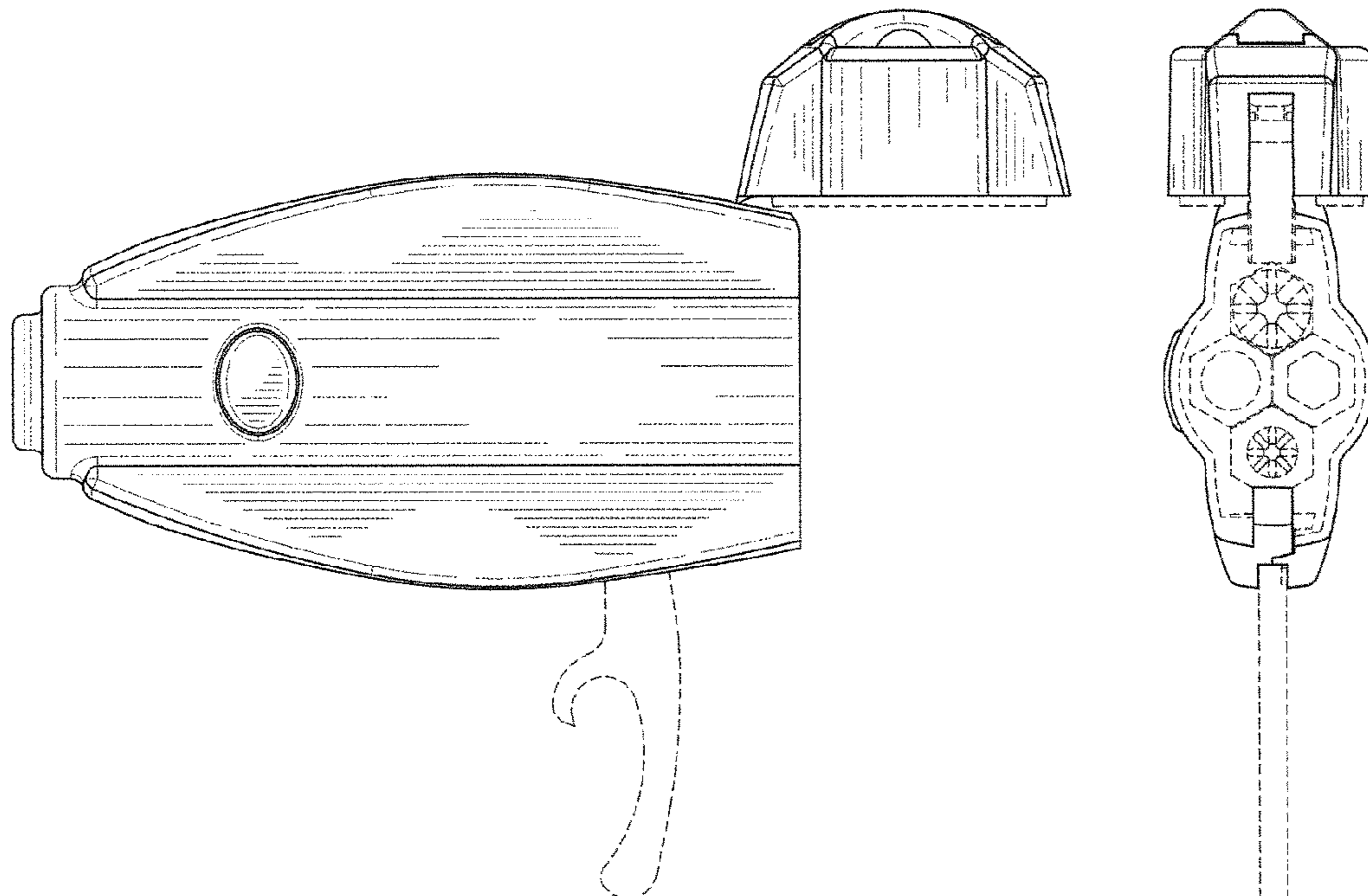


FIG-10

FIG-11