



US00D701738S

(12) **United States Design Patent**
Forsell et al.

(10) **Patent No.:** **US D701,738 S**

(45) **Date of Patent:** **** Apr. 1, 2014**

(54) **SHEARS**

(76) Inventors: **James P. Forsell**, Palo Alto, CA (US);
Phillip W. Bibo, Palo Alto, CA (US)

(**) Term: **14 Years**

(21) Appl. No.: **29/416,094**

(22) Filed: **Mar. 19, 2012**

(51) **LOC (10) Cl.** **08-03**

(52) **U.S. Cl.**
USPC **D8/57**

(58) **Field of Classification Search**
USPC D8/4, 5, 51-58, 105, 107; D21/532;
D27/195; D28/44; D7/693; D24/148;
30/131, 195, 229, 194, 230-235, 268,
30/350, 254-258; 7/135, 136
See application file for complete search history.

(56) **References Cited**

U.S. PATENT DOCUMENTS

2,682,108	A	*	6/1954	Shaler	30/230
4,074,430	A	*	2/1978	Sugiyama	30/260
D372,783	S	*	8/1996	Rollert	D24/149
D393,193	S	*	4/1998	Schneider et al.	D8/57
5,819,416	A	*	10/1998	Robinson et al.	30/257
D409,465	S	*	5/1999	Olix et al.	D8/57
D436,816	S	*	1/2001	Lo	D8/57
D442,046	S	*	5/2001	Huang	D8/57

D443,490	S	*	6/2001	Bornancini	D8/57
D473,438	S	*	4/2003	Manson et al.	D8/57
D483,635	S	*	12/2003	Silver et al.	D8/57
D611,794	S	*	3/2010	Williams et al.	D8/57
D642,034	S	*	7/2011	Molina et al.	D8/57
D680,835	S	*	4/2013	Bhasin	D8/57
D680,840	S	*	4/2013	Bhasin	D8/57
D680,841	S	*	4/2013	Bhasin	D8/57

* cited by examiner

Primary Examiner — Deanna L Pratt

(74) *Attorney, Agent, or Firm* — Richard S Erbe

(57) **CLAIM**

The ornamental design for shears, as shown and described.

DESCRIPTION

FIG. 1 is a perspective view of our shears showing our new design;

FIG. 2 is a front elevational view of the shears of FIG. 1;

FIG. 3 is a rear elevational view of the shears of FIG. 1;

FIG. 4 is a left side elevational view of the shears of FIG. 1;

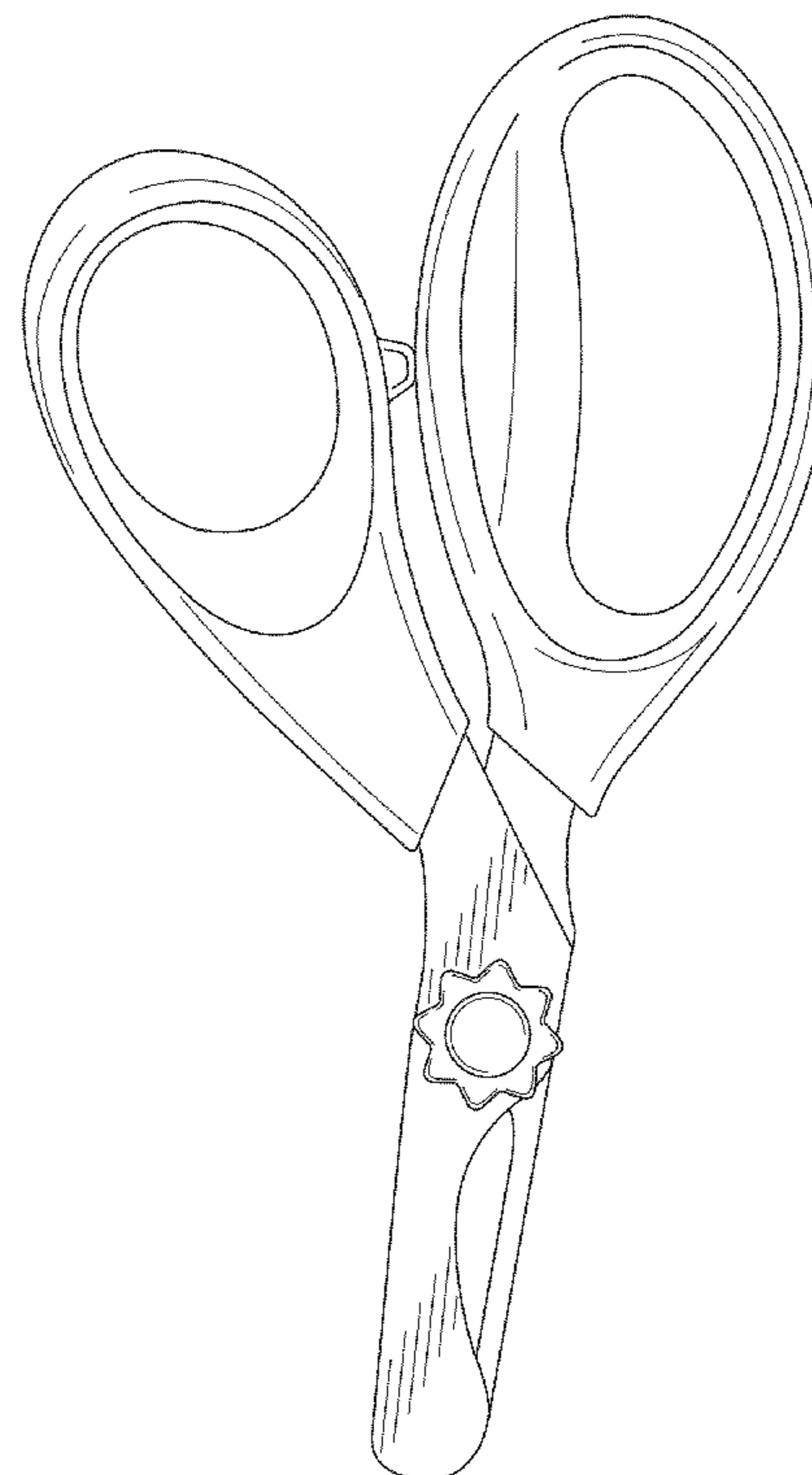
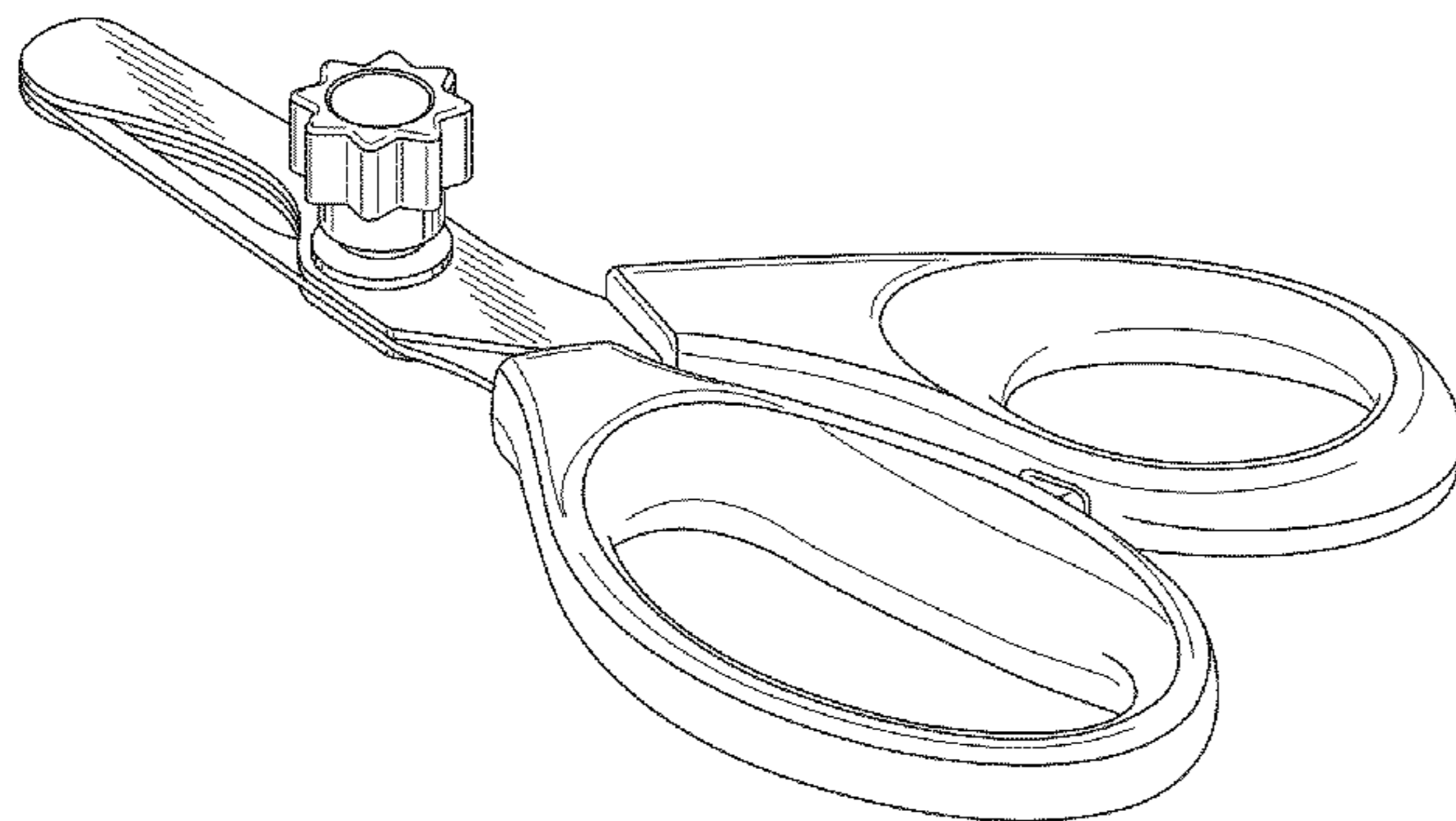
FIG. 5 is a right side elevational view of the shears of FIG. 1;

FIG. 6 is a top view of the shears of FIG. 1; and,

FIG. 7 is a bottom view of the shears of FIG. 1.

Shading lines in the various views are for illustrative purposes only and form no part of the design.

1 Claim, 3 Drawing Sheets



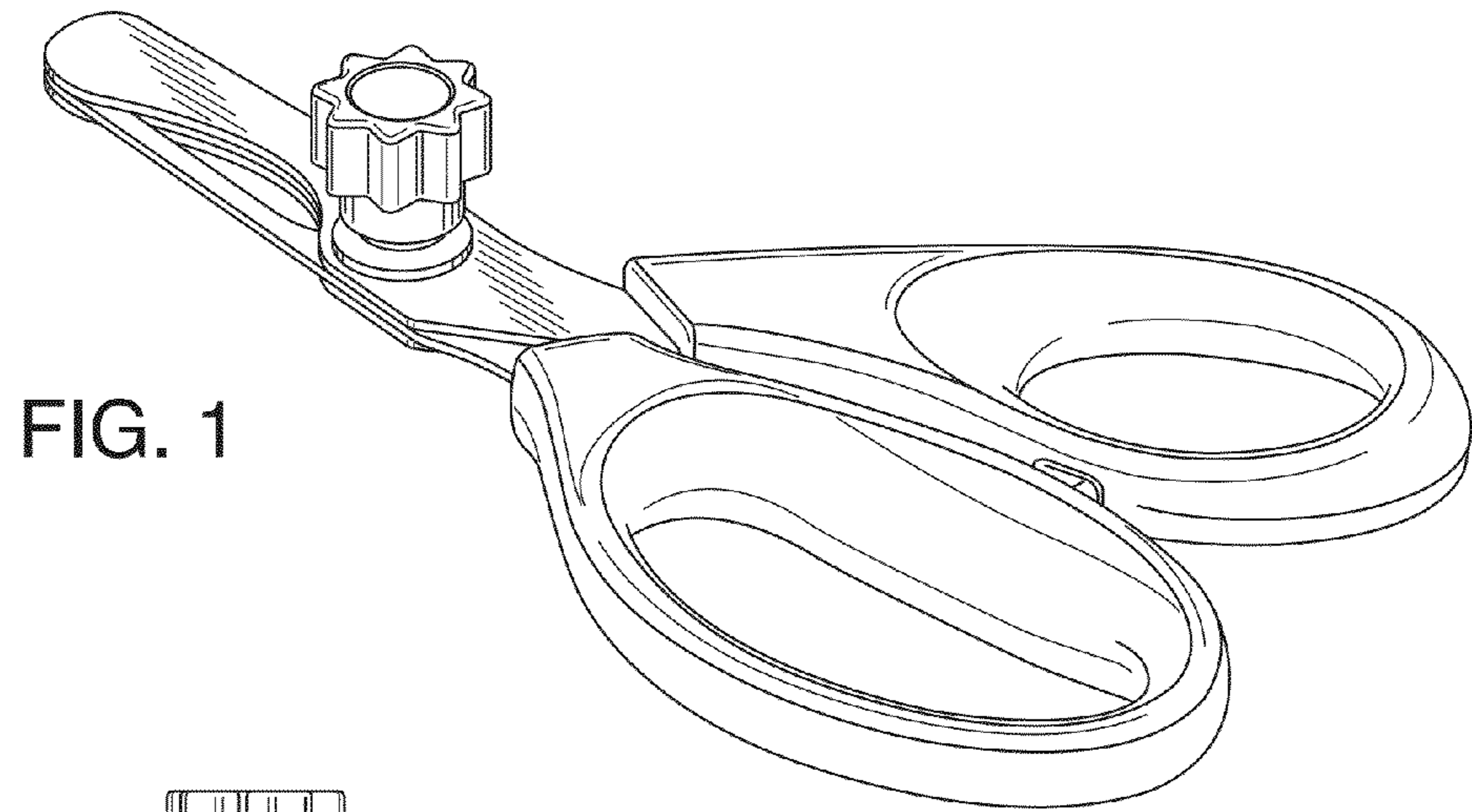


FIG. 1

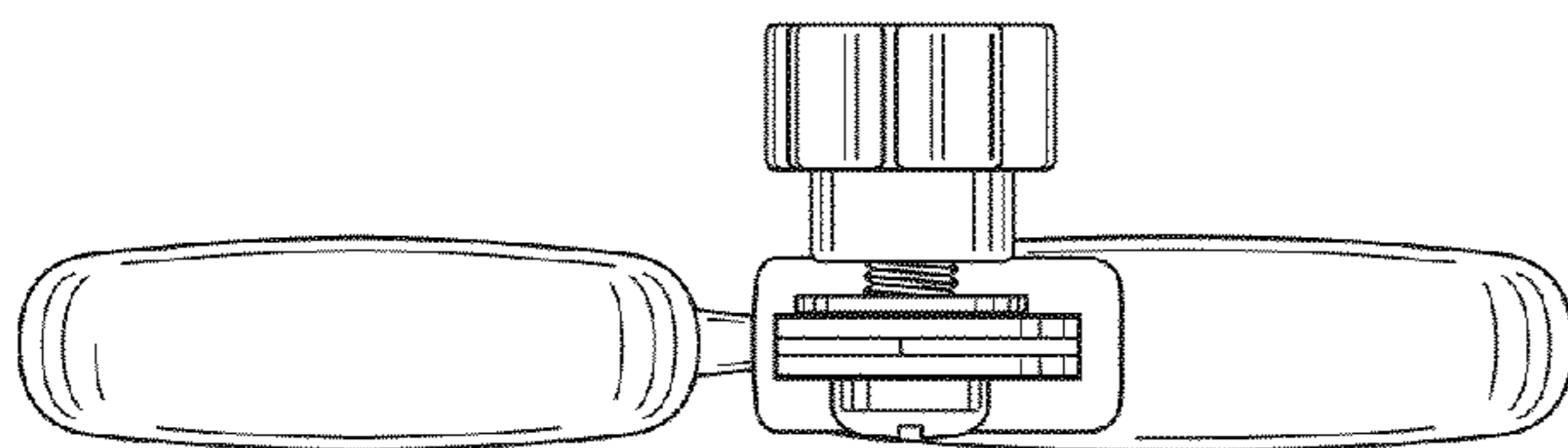


FIG. 2

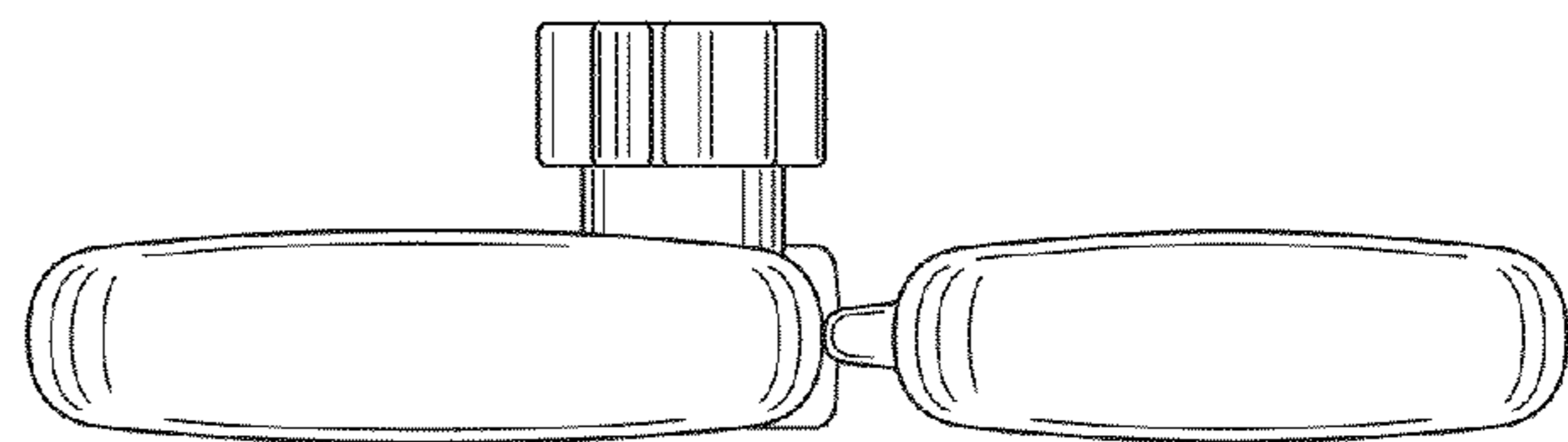


FIG. 3

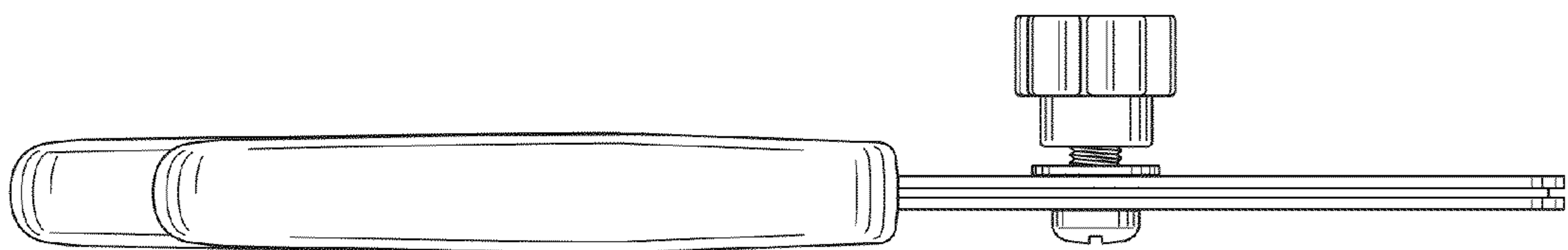


FIG. 4

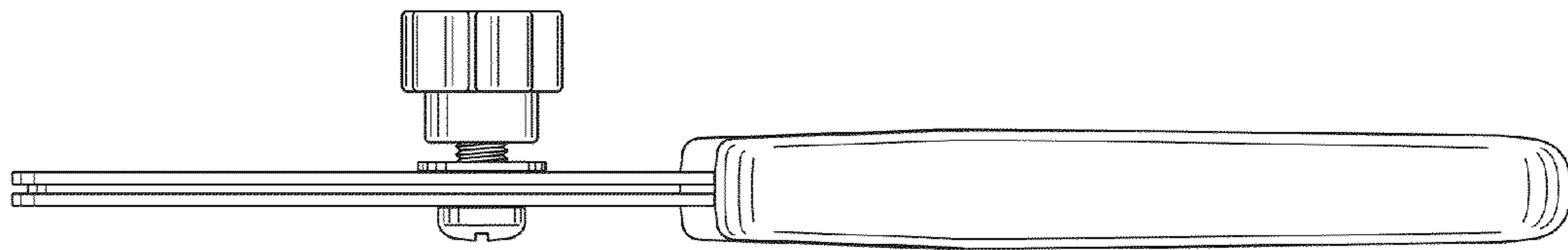


FIG. 5

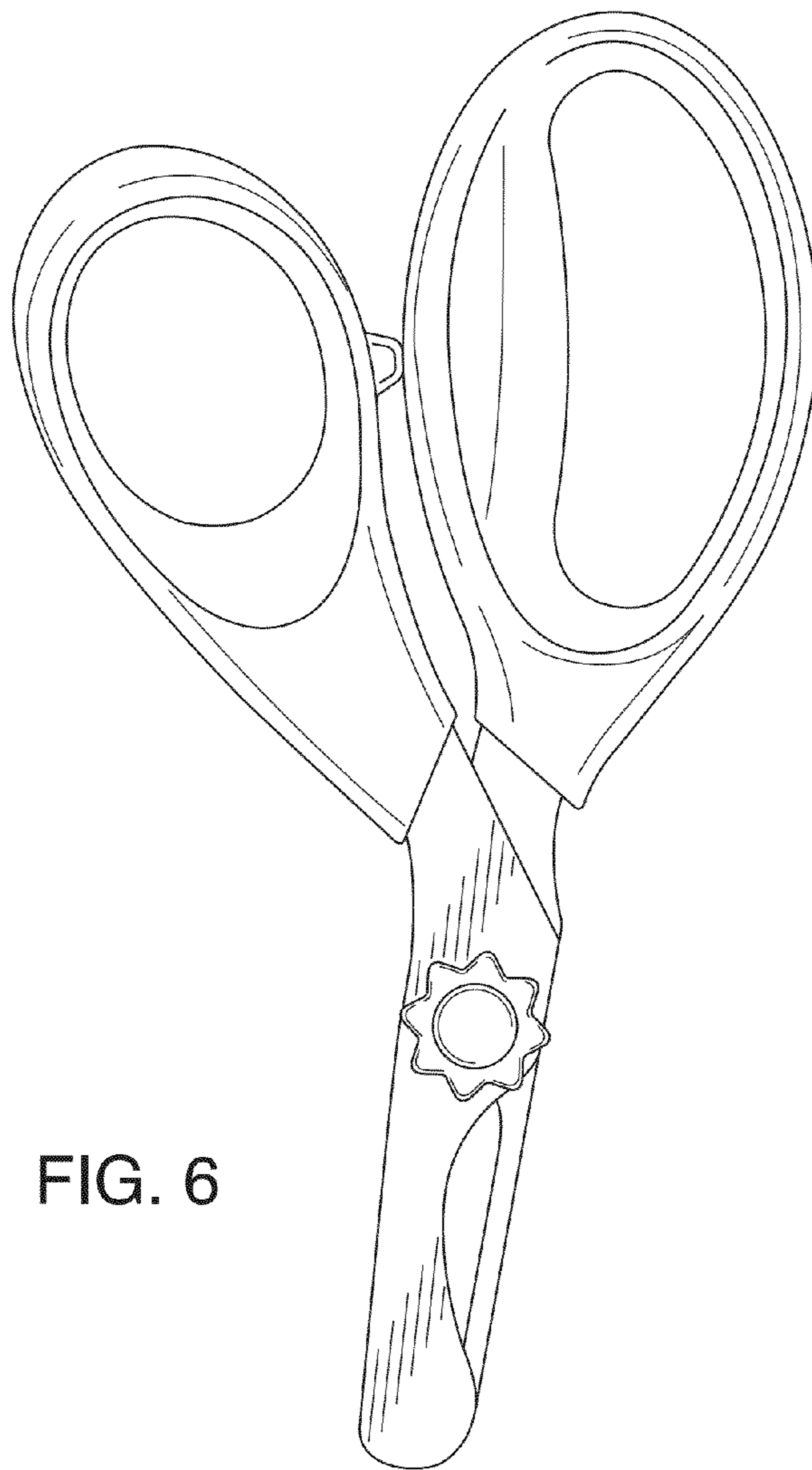


FIG. 6

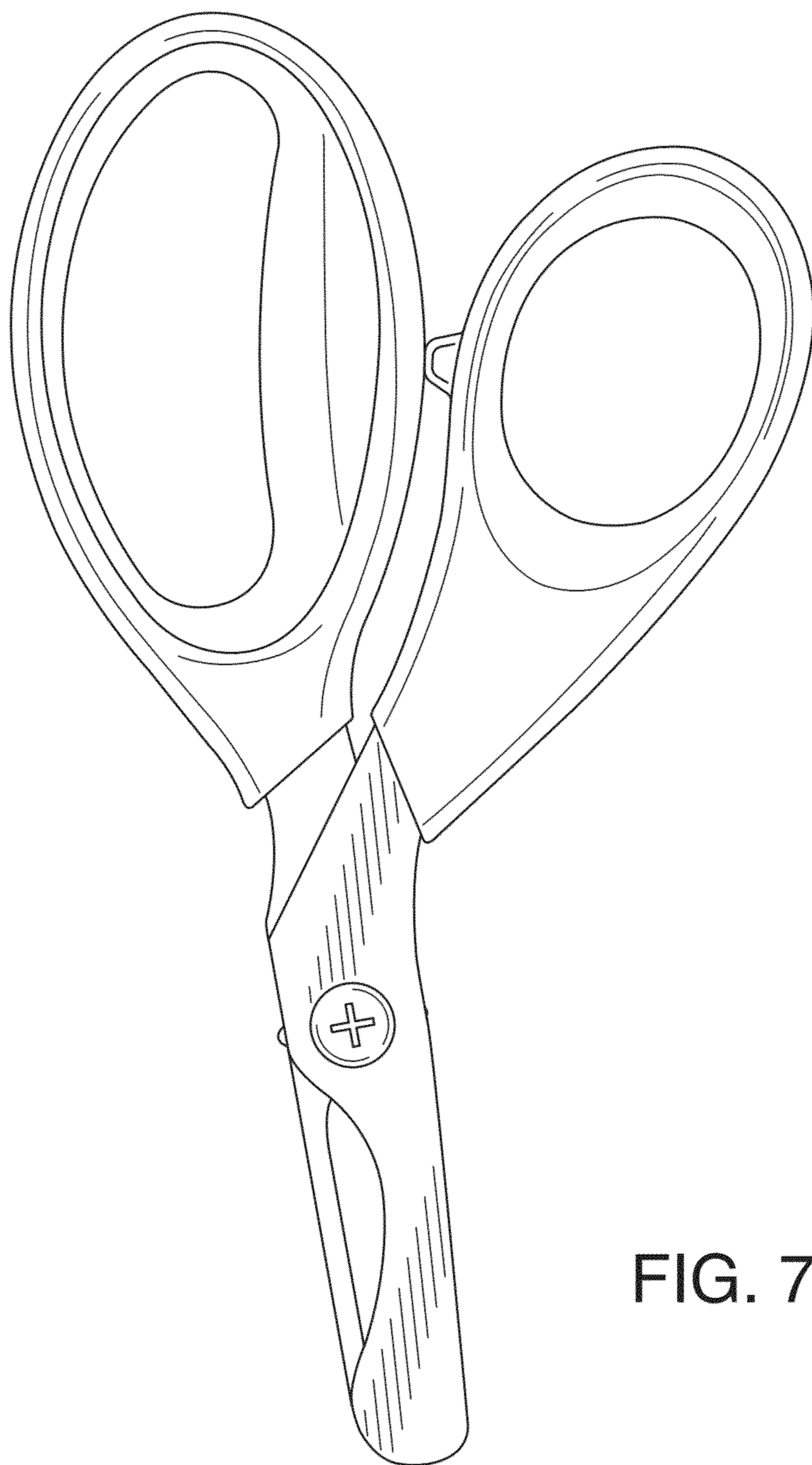


FIG. 7