



US00D701737S

(12) **United States Design Patent**
Poitras

(10) **Patent No.:** **US D701,737 S**
(45) **Date of Patent:** **** Apr. 1, 2014**

(54) **HANDHELD ELECTRIC SALT SPREADER
FOR USE ON SIDEWALKS AND DRIVEWAYS
WITH DETACHABLE HOPPER**

6,089,477 A 7/2000 Dillon
6,425,500 B2 7/2002 McNally
D534,044 S * 12/2006 Zak D8/2

* cited by examiner

(76) Inventor: **Marcel A. Poitras**, Whitecourt (CA)

Primary Examiner — Sheryl Lane

(**) Term: **14 Years**

(21) Appl. No.: **29/403,481**

(22) Filed: **Oct. 6, 2011**

(51) **LOC (10) Cl.** **08-01**

(52) **U.S. Cl.**
USPC **D8/2**

(58) **Field of Classification Search**
USPC 222/175, 324; D8/2; D15/13; D32/17;
239/654, 663, 686
See application file for complete search history.

(57) **CLAIM**

The ornamental design for a handheld electric salt spreader for use on sidewalks and driveways with detachable hopper, as shown and described.

DESCRIPTION

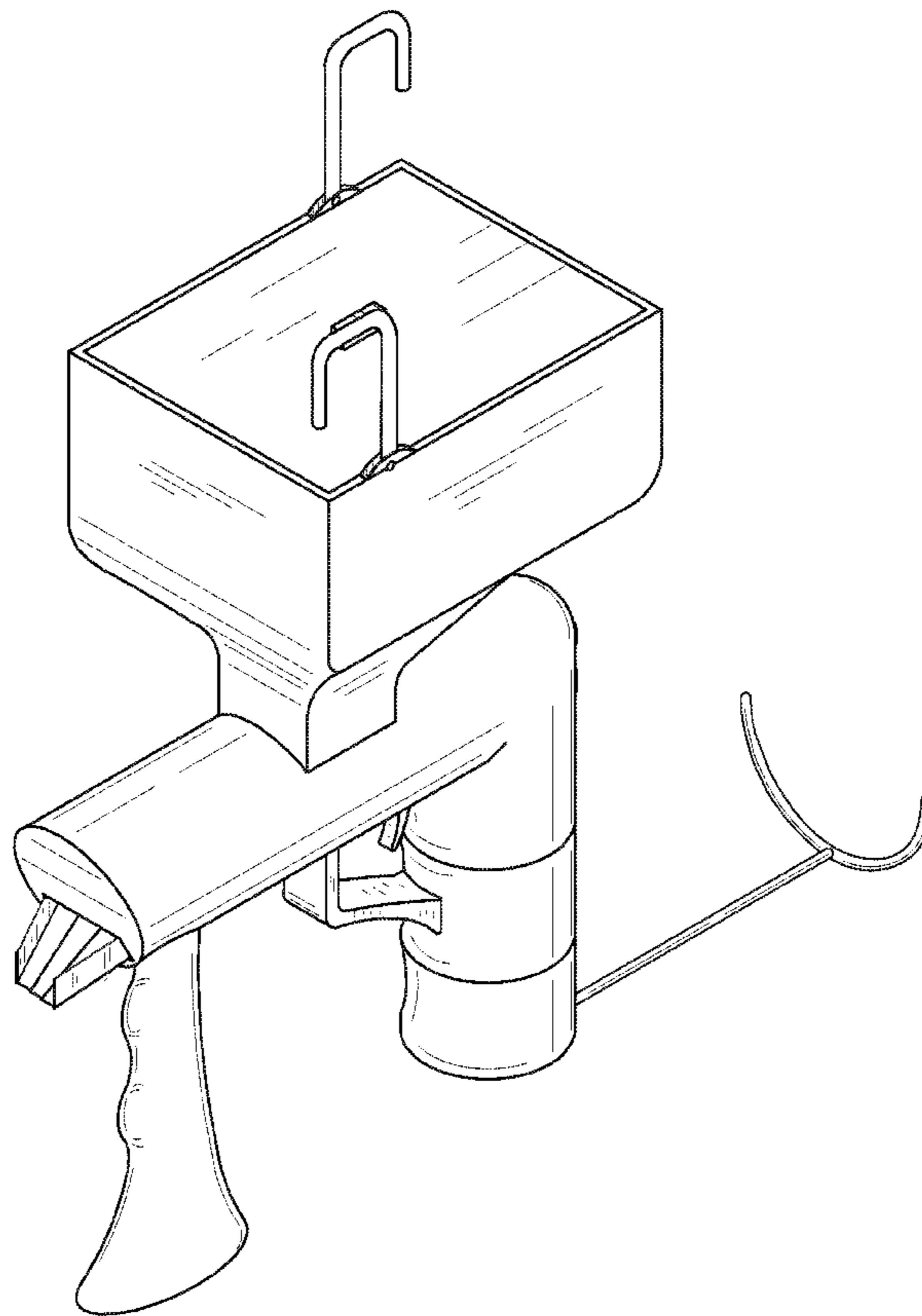
FIG. 1 is a perspective view of a handheld electric salt spreader for use on sidewalks and driveways with detachable hopper showing my new design;
FIG. 2 is a side view with arm support unfolded (opposite side view is mirror image) thereof;
FIG. 3 is a back view thereof;
FIG. 4 is a front view showing the spout in a closed position thereof;
FIG. 5 is a top view thereof;
FIG. 6 is a bottom view thereof;
FIG. 7 is another side view with arm support folded thereof; and,
FIG. 8 is an enlarged front view showing the spout in an open position.

(56) **References Cited**

U.S. PATENT DOCUMENTS

2,892,286 A 6/1959 Martin
D190,742 S * 6/1961 Roberts D8/2
3,993,225 A 11/1976 Manni
5,119,993 A 6/1992 Gunzel, Jr. et al.
5,123,598 A 6/1992 Courtney et al.
D327,823 S * 7/1992 Demarest D8/2
D333,951 S * 3/1993 Courtney et al. D8/2
5,285,971 A * 2/1994 Havlovitz 239/686
D387,638 S 12/1997 DeLaby et al.

1 Claim, 6 Drawing Sheets



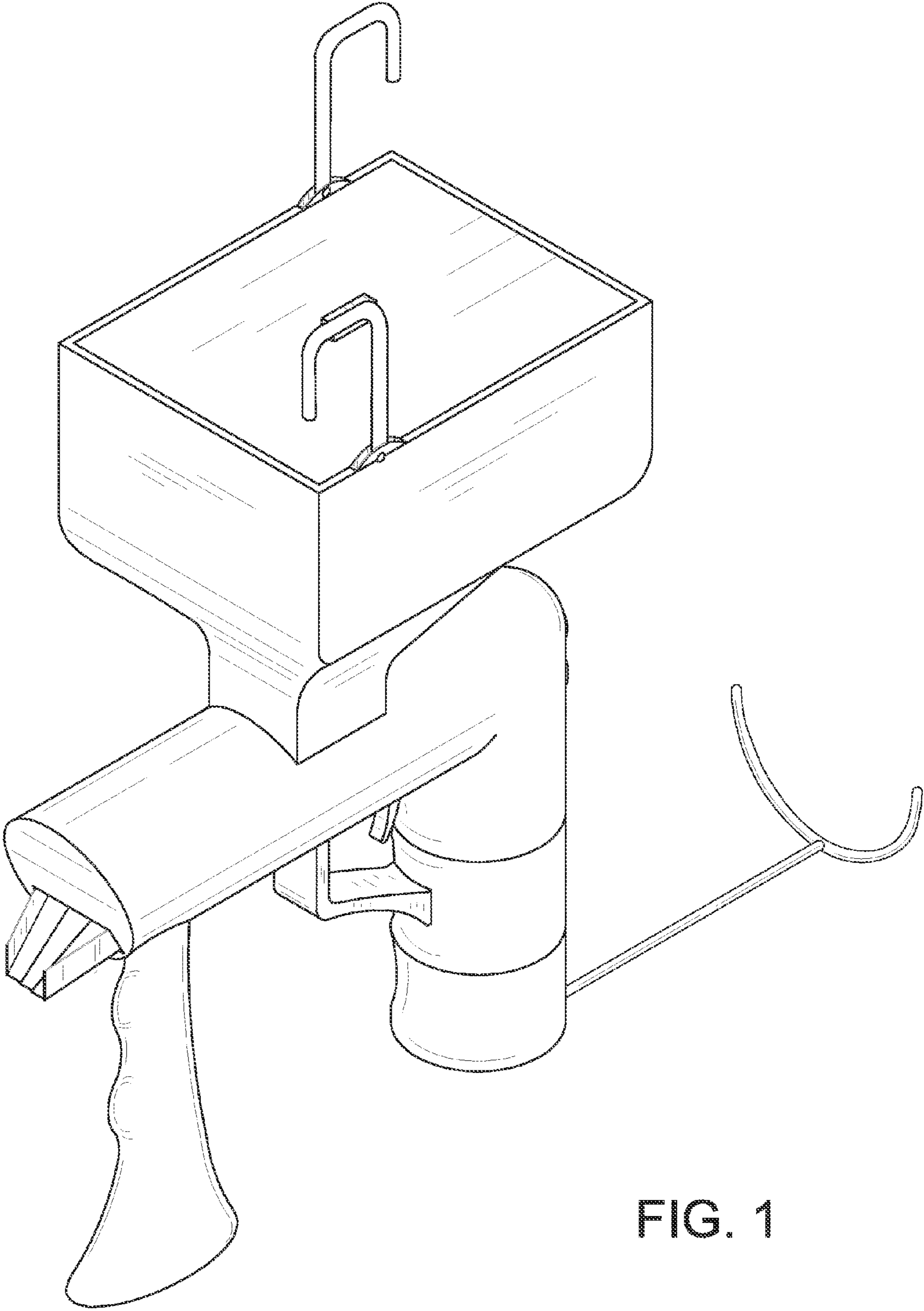


FIG. 1

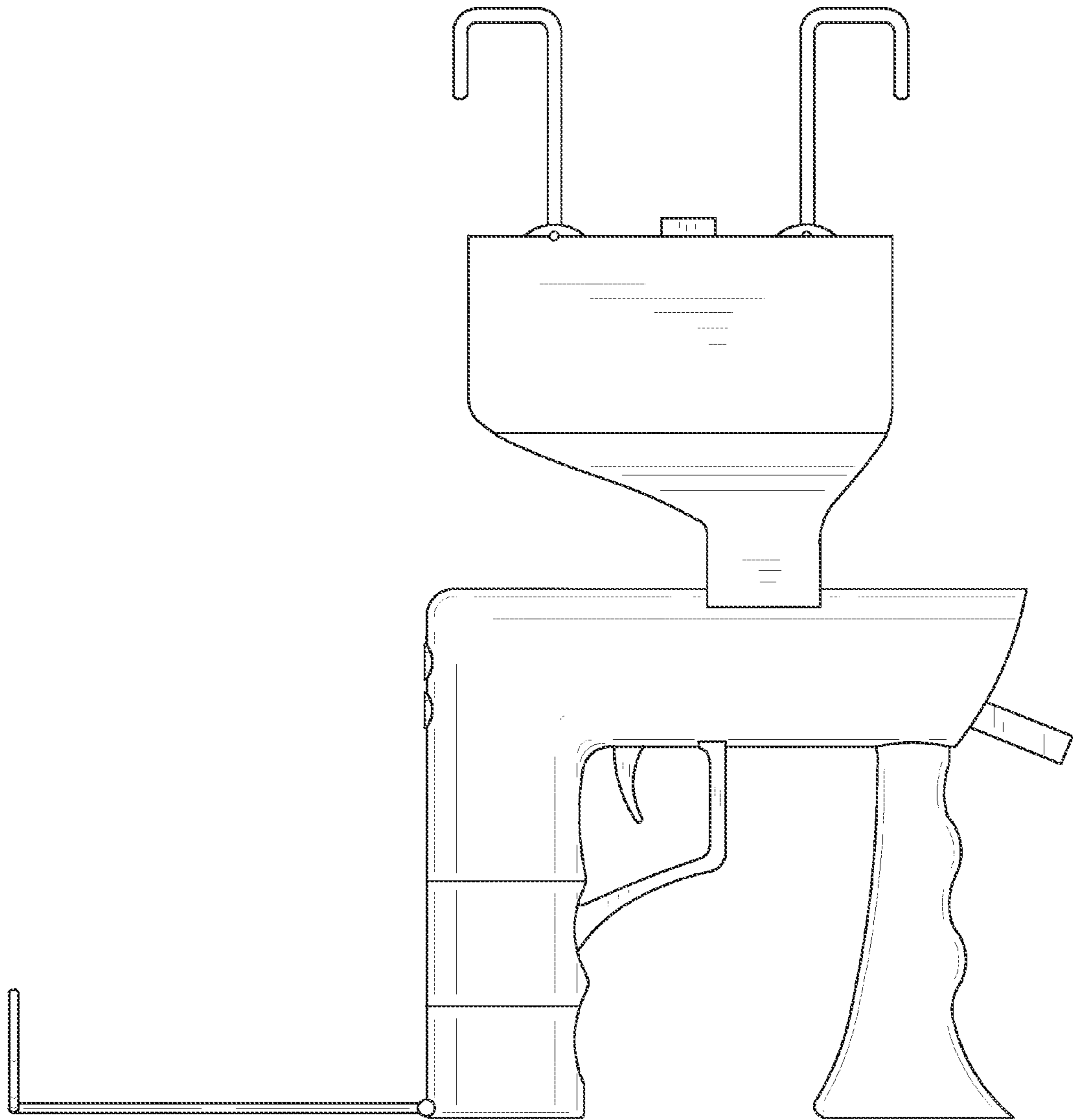


FIG. 2

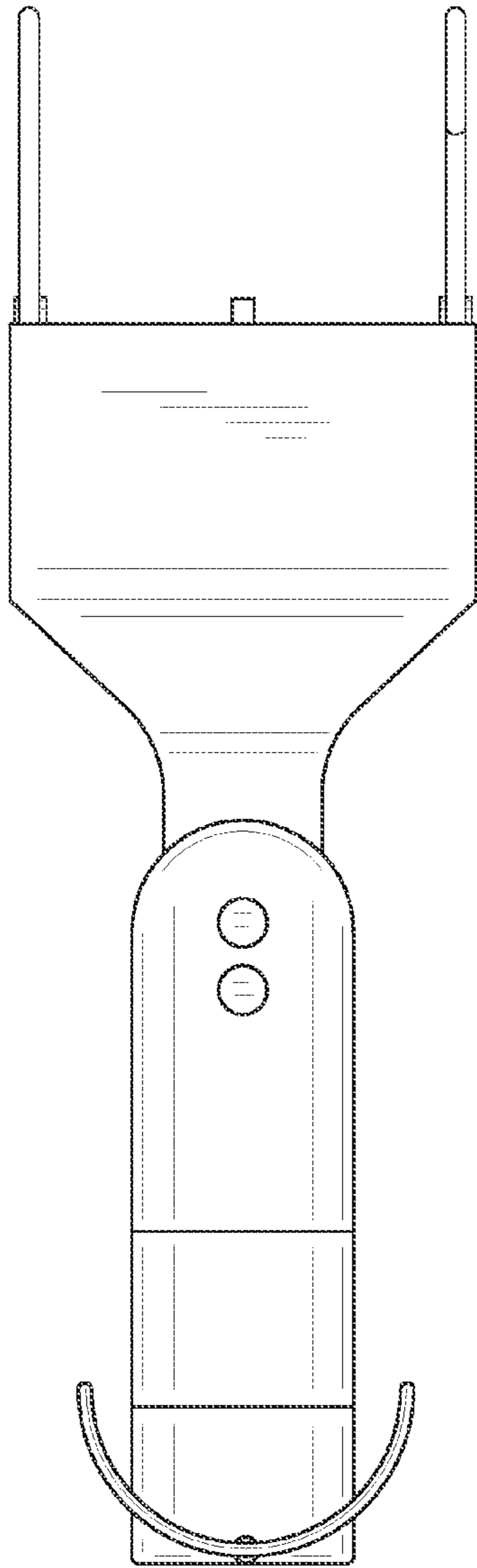


FIG. 3

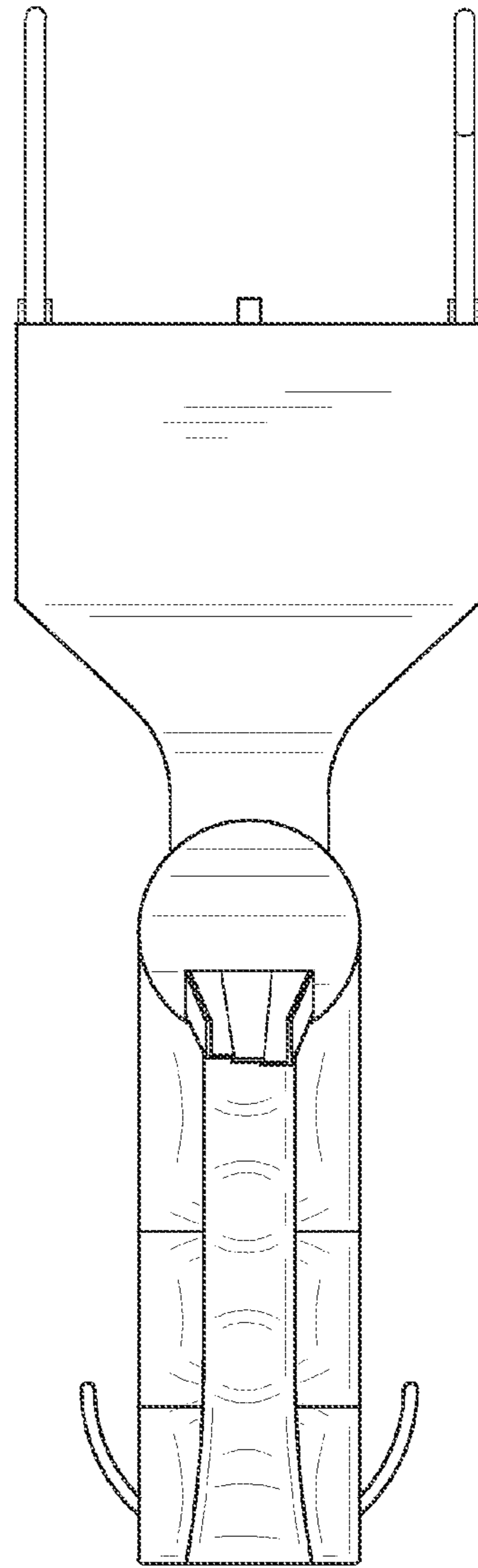


FIG. 4

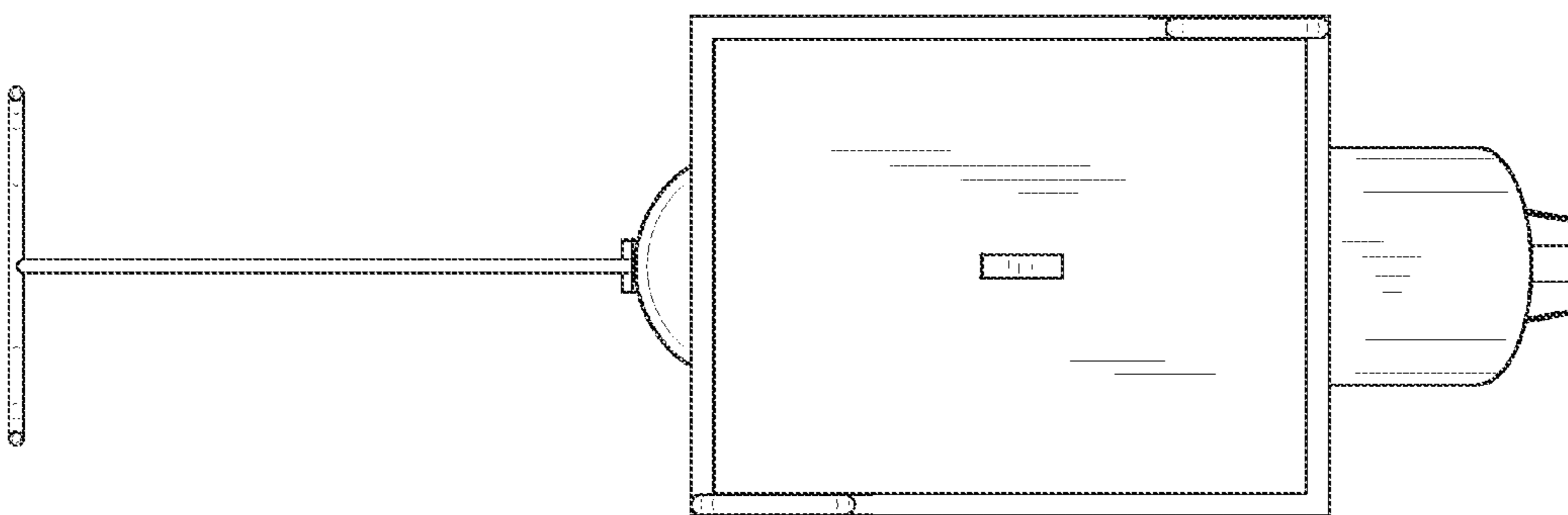


FIG. 5

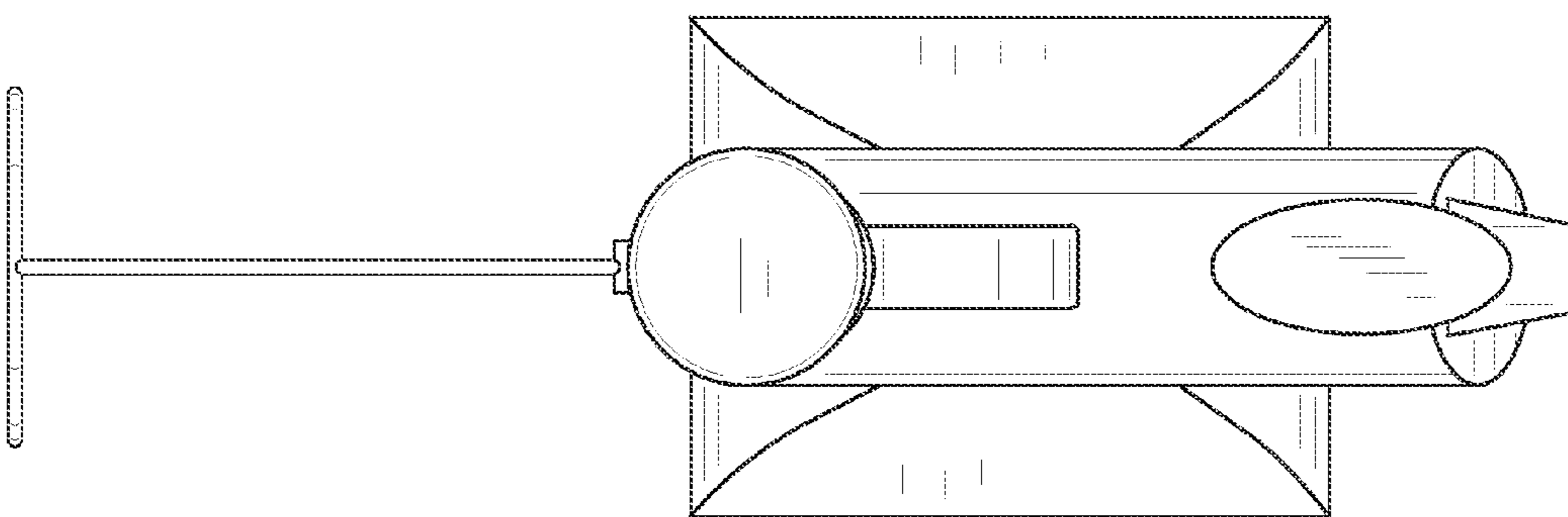


FIG. 6

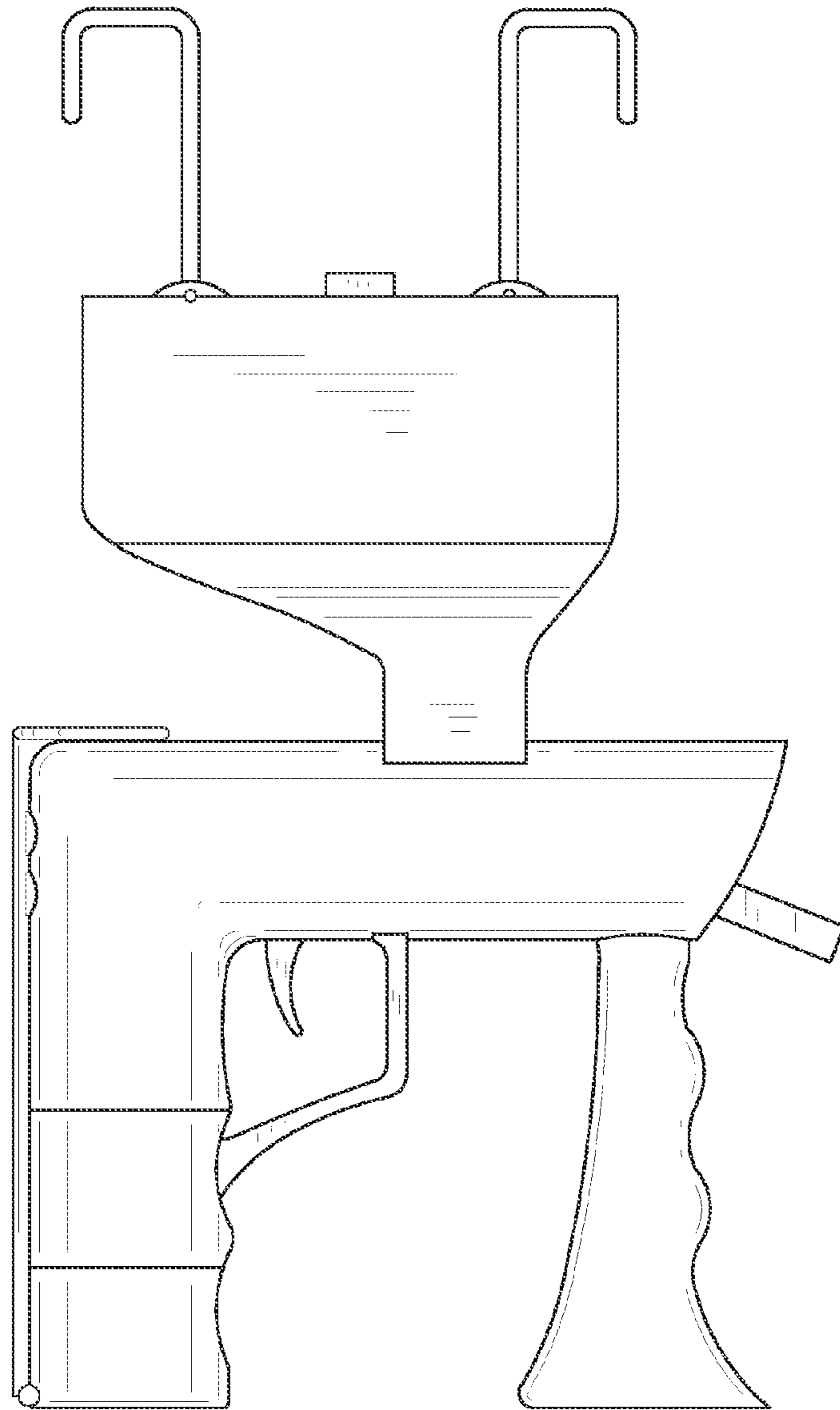


FIG. 7

FIG. 8

