



US00D701734S

(12) **United States Design Patent**
Wagner et al.

(10) **Patent No.:** **US D701,734 S**
(45) **Date of Patent:** **** Apr. 1, 2014**

(54) **STORAGE TOTE HAVING LEGS**
(71) Applicant: **Western Industries, Inc.**, Winfield, KS (US)
(72) Inventors: **Charles E. Wagner**, Winfield, KS (US); **Scott M. Herndon**, Arkansas City, KS (US); **David L. Barthuly**, Winfield, KS (US)
(73) Assignee: **Western Industries, Inc.**, Watertown, WI (US)

5,082,301 A * 1/1992 Schumacher et al. 280/38
5,240,264 A 8/1993 Williams
5,249,438 A 10/1993 Rhaney et al.
5,285,656 A 2/1994 Peters
5,480,170 A 1/1996 Kaiser, III
5,551,558 A 9/1996 Bureau
5,730,282 A 3/1998 Bureau
6,068,355 A * 5/2000 Thorp 190/11
6,129,180 A * 10/2000 Brady 182/186.4
6,161,486 A * 12/2000 Boots 108/33
D437,736 S * 2/2001 Moffett et al. D7/605
6,213,265 B1 * 4/2001 Wang 190/11

(Continued)

(**) Term: **14 Years**

Primary Examiner — Terry Wallace

(74) *Attorney, Agent, or Firm* — Boyle Fredrickson, S.C.

(21) Appl. No.: **29/436,886**

(22) Filed: **Nov. 9, 2012**

(51) **LOC (10) Cl.** **07-01**

(52) **U.S. Cl.**
USPC **D7/605; D6/709**

(58) **Field of Classification Search**
USPC D7/605; D3/273, 274; D6/708, 708.16, D6/709, 709.2; D34/12, 17, 23, 24, 27; 108/11, 14, 77; 280/28, 29, 30, 12, 37, 280/38, 47.24, 47.21, 47.17, 47.23, 47.33, 280/47.2, 79.2, 655, 645, 655.1, 652, 638; 62/457.1–457.9, 371, 372; 190/12 R, 190/11, 18 A, 18 R

See application file for complete search history.

(56) **References Cited**

U.S. PATENT DOCUMENTS

2,603,500 A * 7/1952 Messier 280/43.24
2,956,849 A * 10/1960 Dow 108/14
3,009,750 A * 11/1961 Hendricks 108/11
3,608,600 A 9/1971 Lehrman
3,873,114 A 3/1975 Brown
4,049,091 A * 9/1977 Chubb 190/18 R
4,581,902 A * 4/1986 Starck et al. 190/11
4,934,549 A 6/1990 Allen

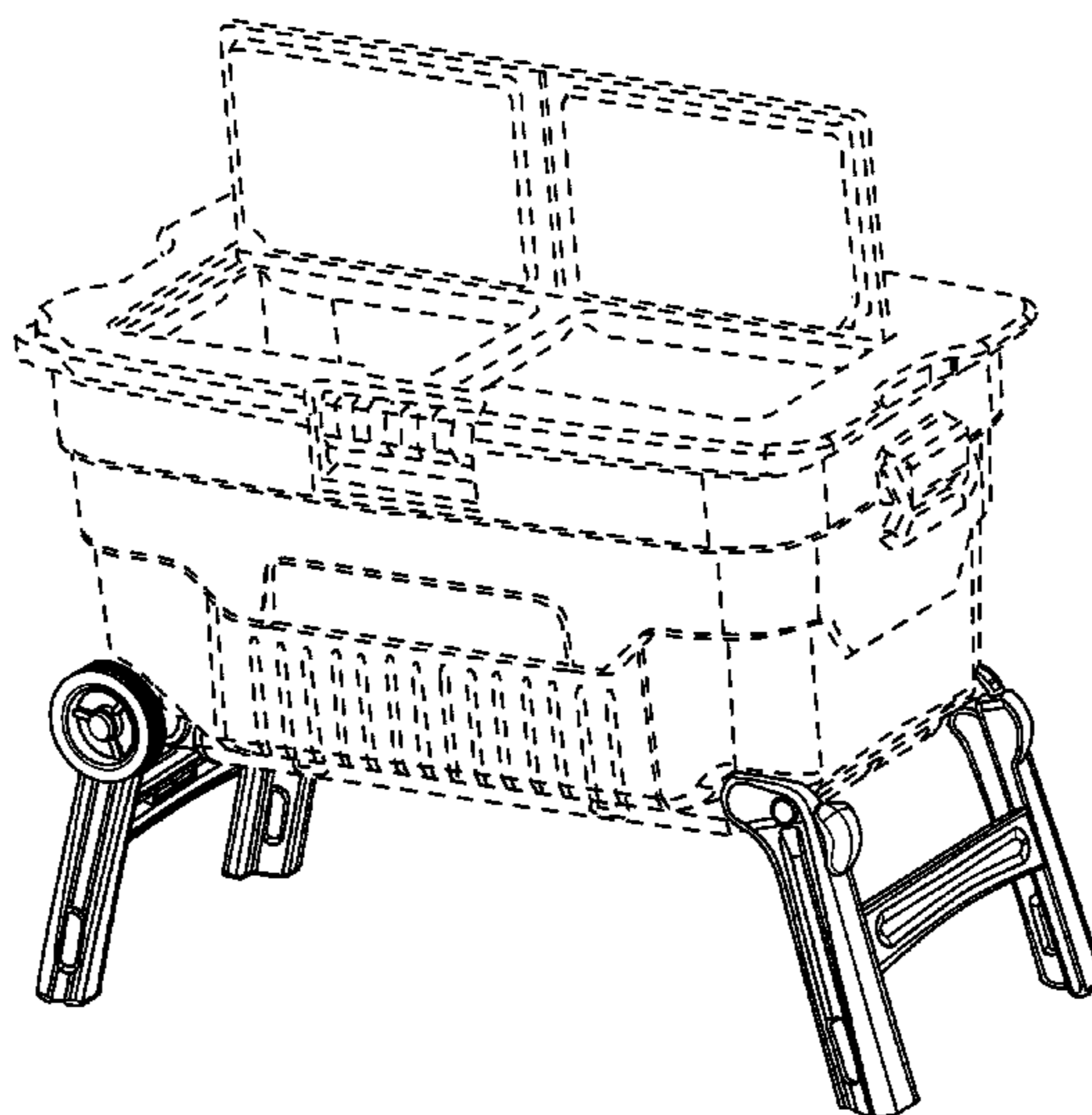
(57) **CLAIM**

The ornamental design for a storage tote having legs, as shown and described.

DESCRIPTION

FIG. 1 is an isometric view of a storage tote having legs, embodying a new design;
FIG. 2 is an isometric view of the storage tote having legs of FIG. 1 showing the legs in a folded position;
FIG. 3 is a rear elevation view of the storage tote having legs of FIG. 1;
FIG. 4 is a front elevation view of the storage tote having legs of FIG. 1;
FIG. 5 is an end elevation view of the storage tote having legs of FIG. 1;
FIG. 6 is an opposite end elevation view of the storage tote having legs of FIG. 1;
FIG. 7 is a rear elevation view of the storage tote having legs as shown in FIG. 2; and,
FIG. 8 is an end elevation view of the storage tote having legs as shown in FIG. 2.
The broken lines shown in the drawings are for illustrative purposes only and form no part of the claimed design.

1 Claim, 8 Drawing Sheets



(56)

References Cited

U.S. PATENT DOCUMENTS

6,216,488 B1 * 4/2001 Rucker 62/457.7
 6,257,229 B1 7/2001 Stewart et al.
 D448,625 S * 10/2001 Moffett et al. D7/605
 6,328,179 B1 12/2001 Conrado et al.
 D467,453 S * 12/2002 Kwon D6/499
 6,612,127 B2 * 9/2003 Simmons 62/457.2
 6,739,150 B2 * 5/2004 Mompo Garcia 62/457.7
 D514,891 S * 2/2006 Garcia et al. D7/605
 D520,305 S * 5/2006 Brodock et al. D7/605
 7,143,601 B1 * 12/2006 Jimenez 62/457.7
 7,156,273 B2 1/2007 Morris
 7,249,771 B1 7/2007 Brennan et al.
 7,341,164 B2 3/2008 Barquist et al.
 7,360,784 B2 4/2008 Stewart et al.

D580,232 S * 11/2008 Lee D7/606
 7,451,709 B2 11/2008 Swartfager et al.
 D591,562 S * 5/2009 Lee D7/606
 7,604,290 B1 10/2009 Giordano
 7,607,630 B2 10/2009 Jung et al.
 7,658,388 B1 * 2/2010 Rodriguez et al. 280/30
 7,708,160 B2 5/2010 Booth et al.
 D622,518 S 8/2010 Jordan
 7,766,179 B2 8/2010 George et al.
 7,845,653 B2 12/2010 Katz
 7,896,451 B2 3/2011 Walsh
 7,954,183 B2 6/2011 Cawthon
 D641,186 S * 7/2011 Martin et al. D6/495
 2004/0182381 A1 * 9/2004 Yeh 126/25 R
 2006/0065665 A1 * 3/2006 Swartfager et al. 220/592.2
 2009/0266833 A1 10/2009 Savage et al.
 2011/0315695 A1 12/2011 Fuqua

* cited by examiner

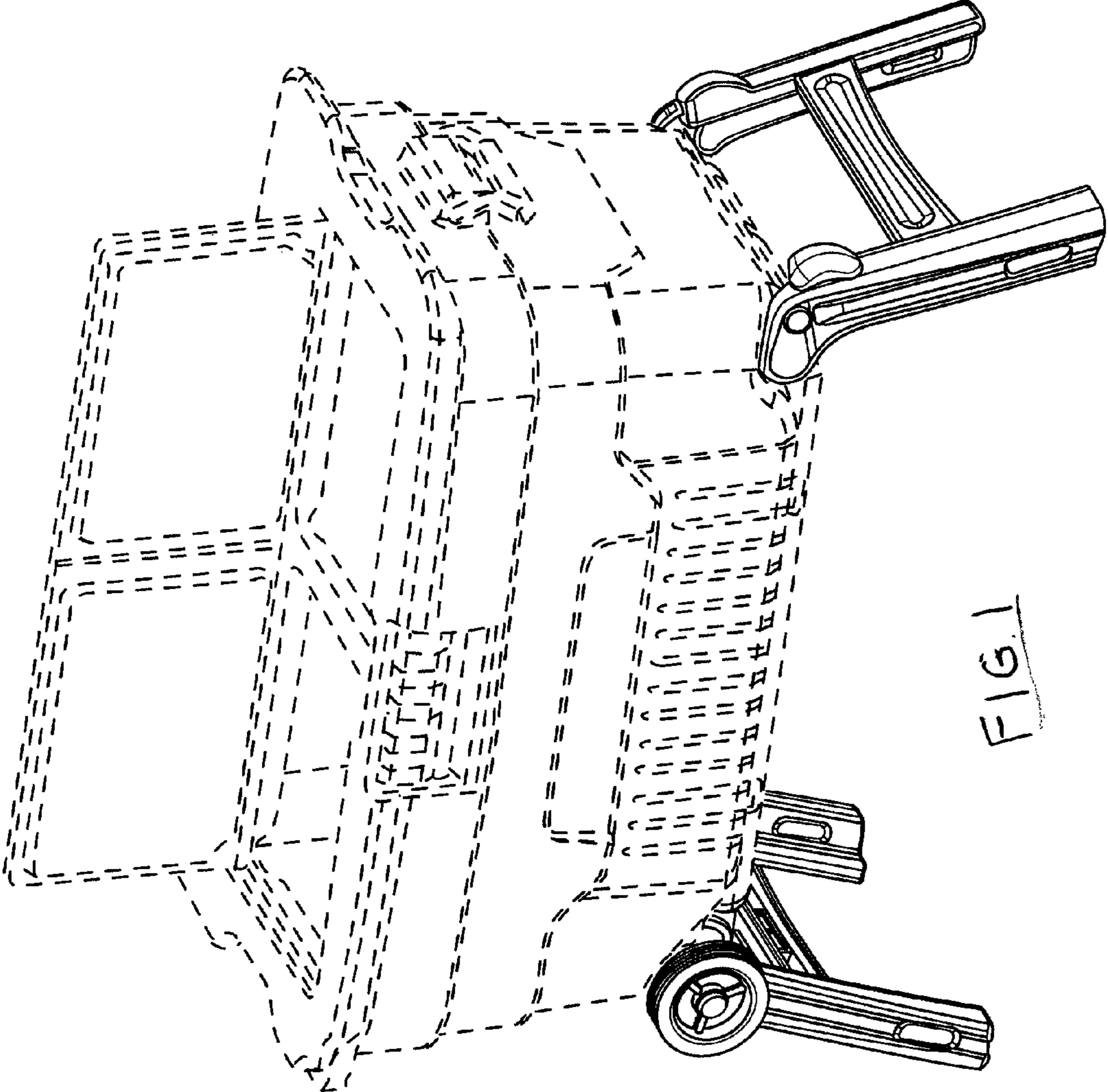


FIG. 1

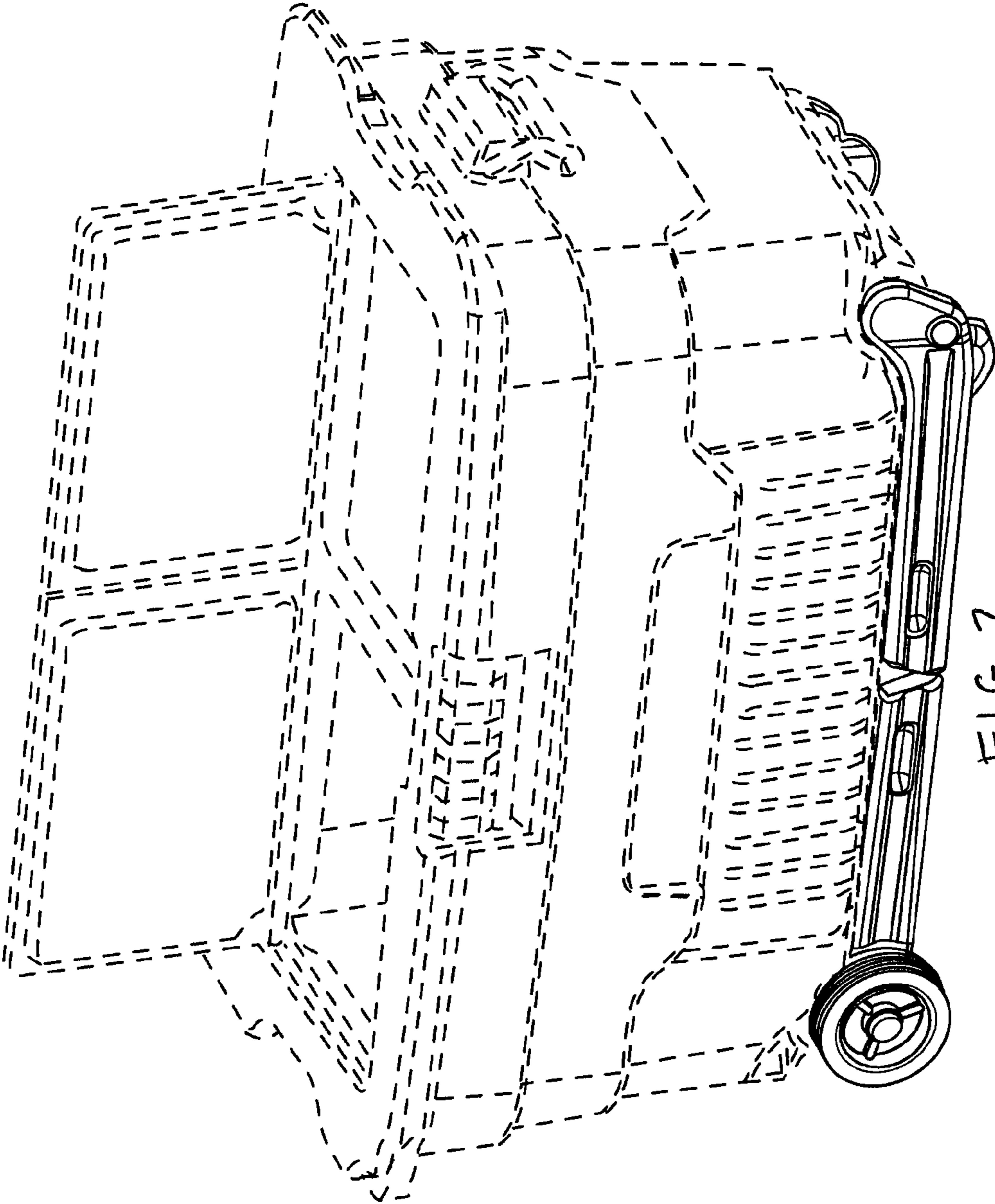


FIG. 2

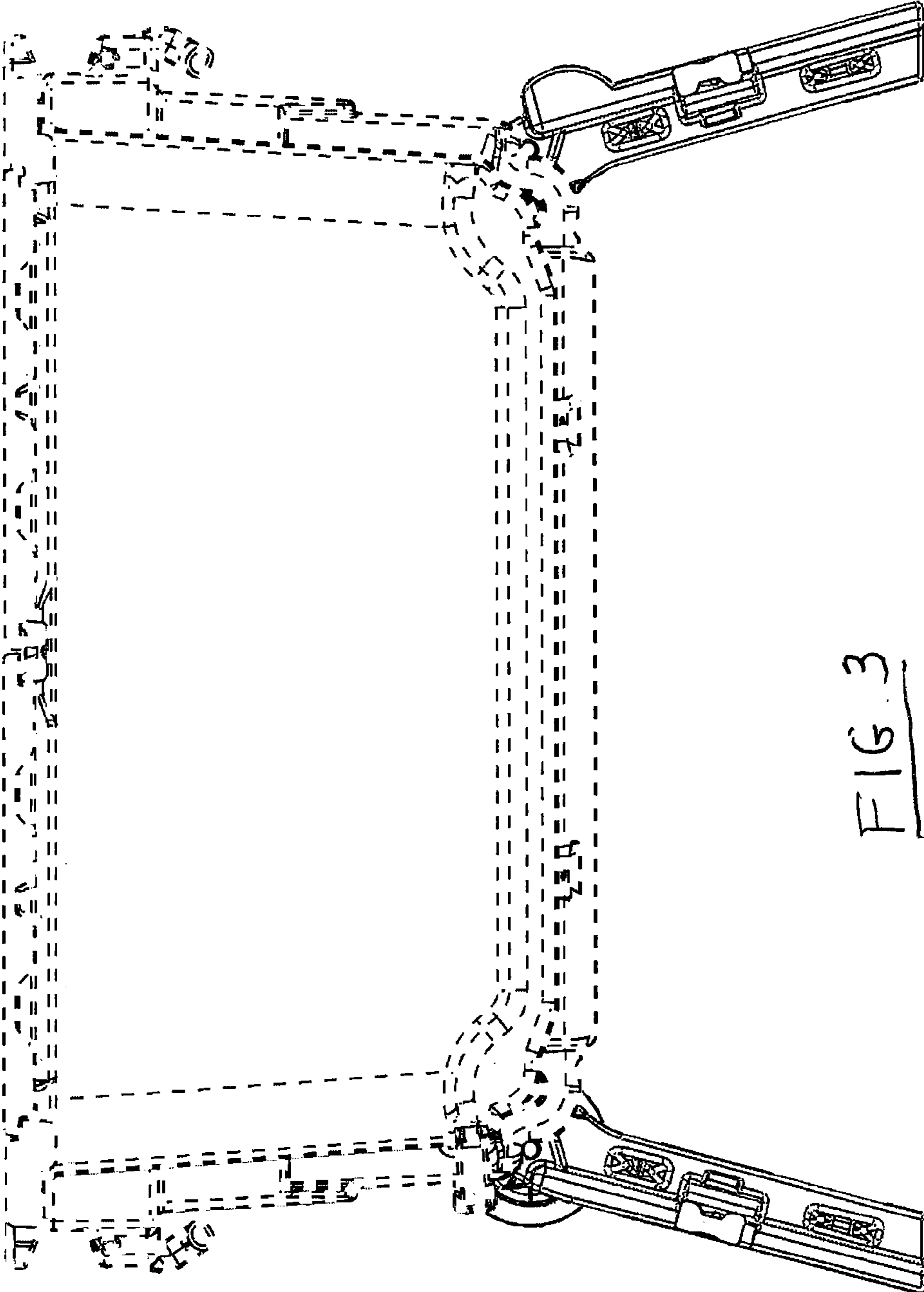


FIG. 3

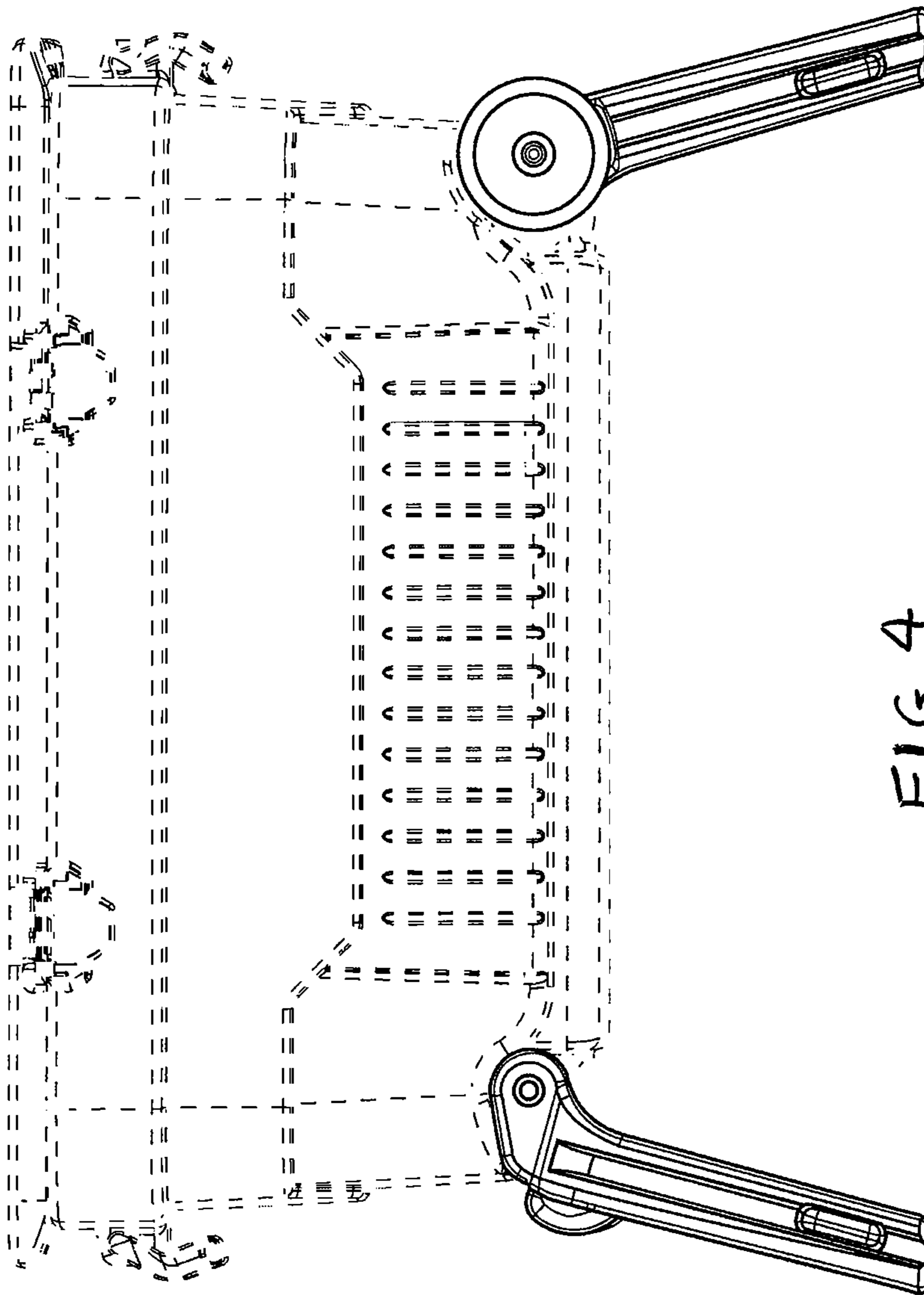
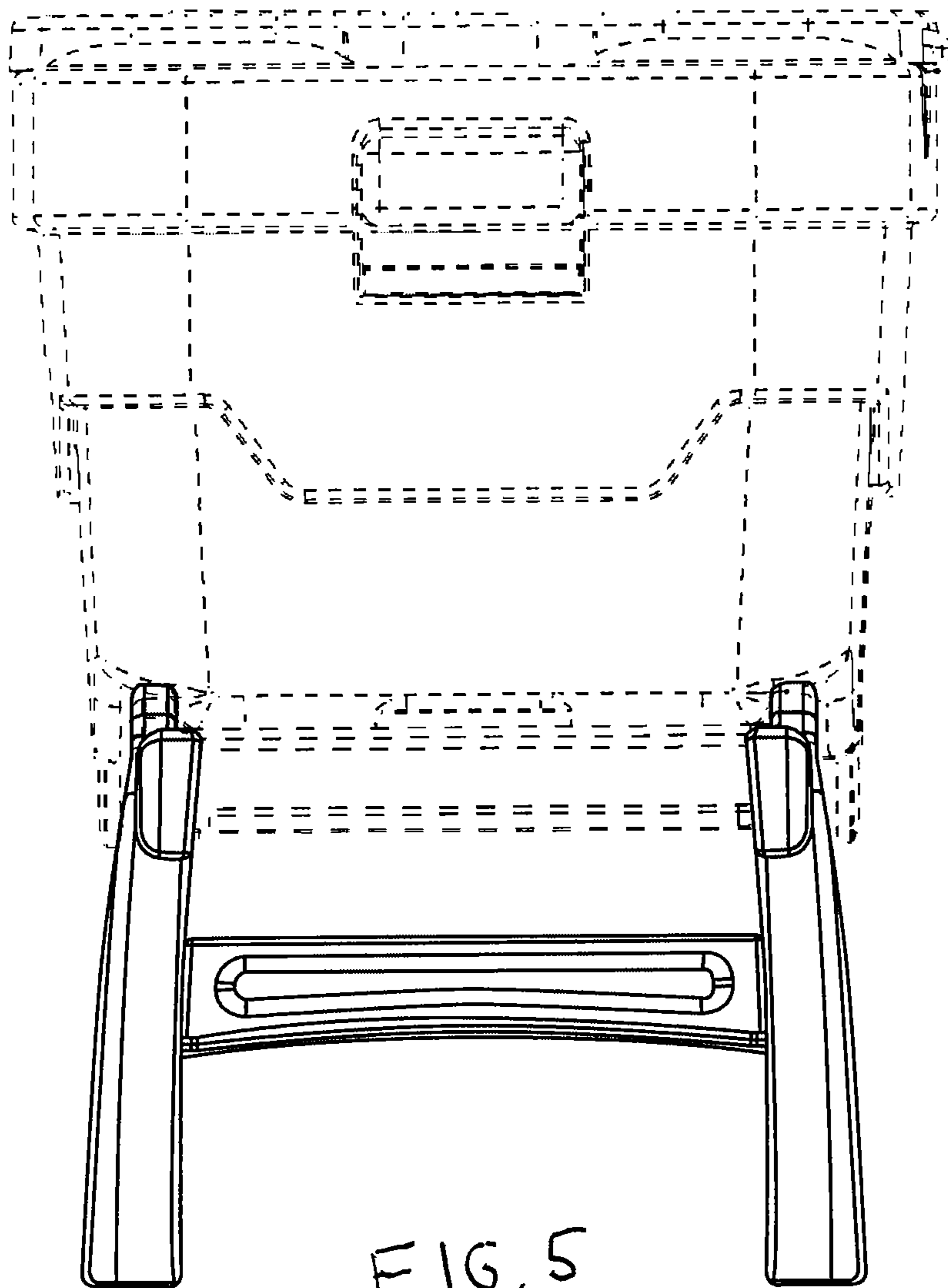


FIG. 4



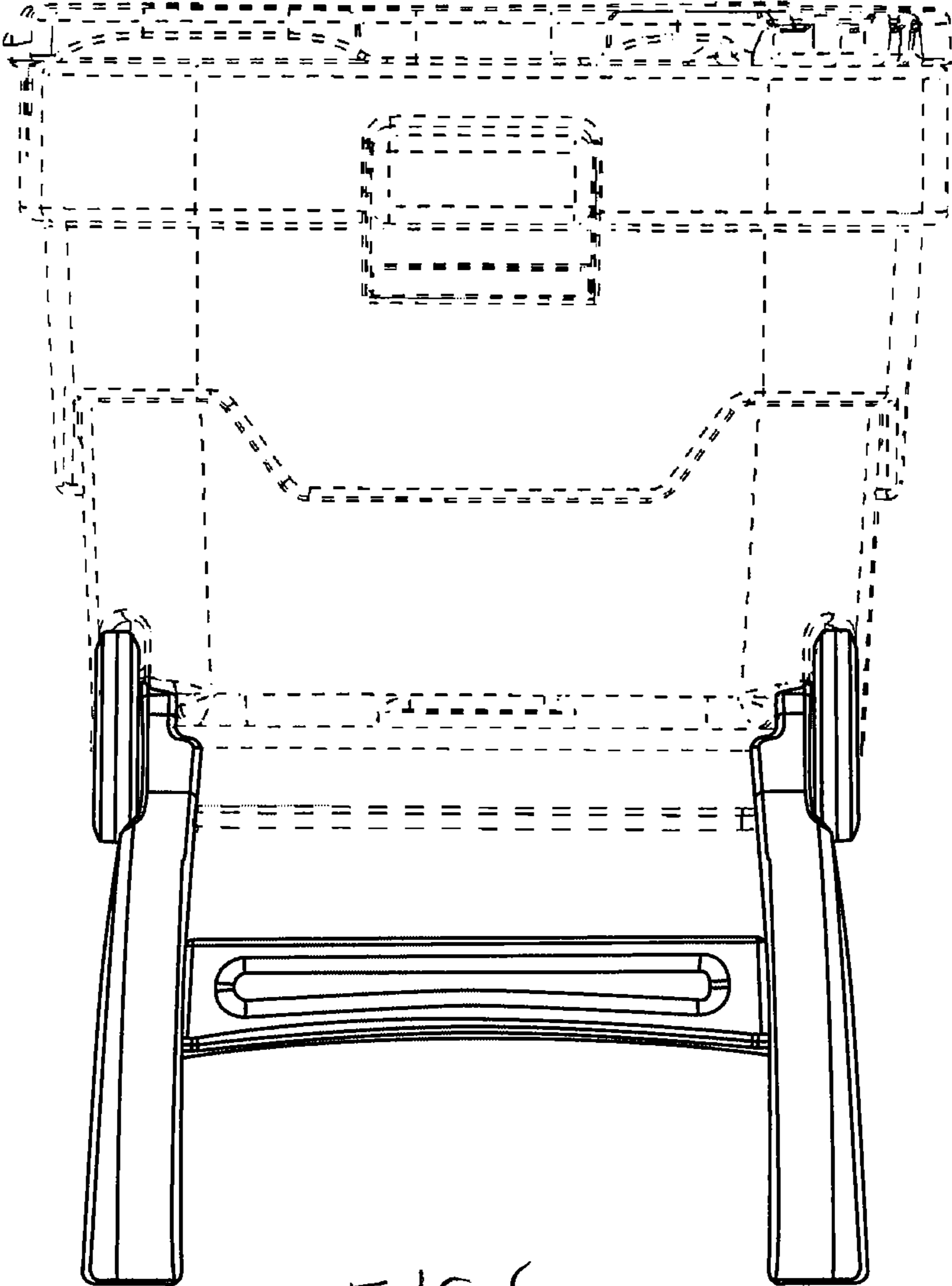


FIG. 6

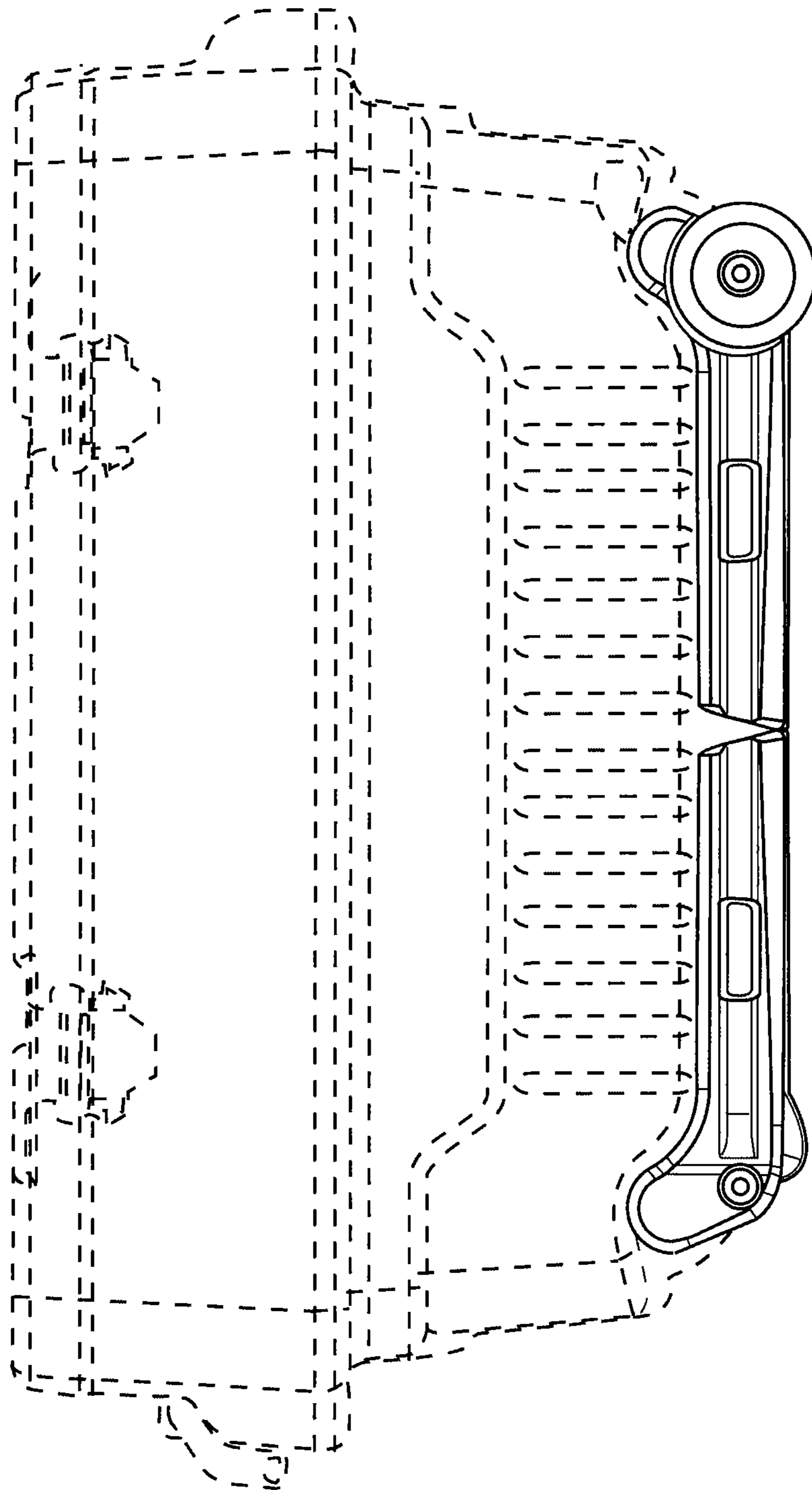


FIG. 7

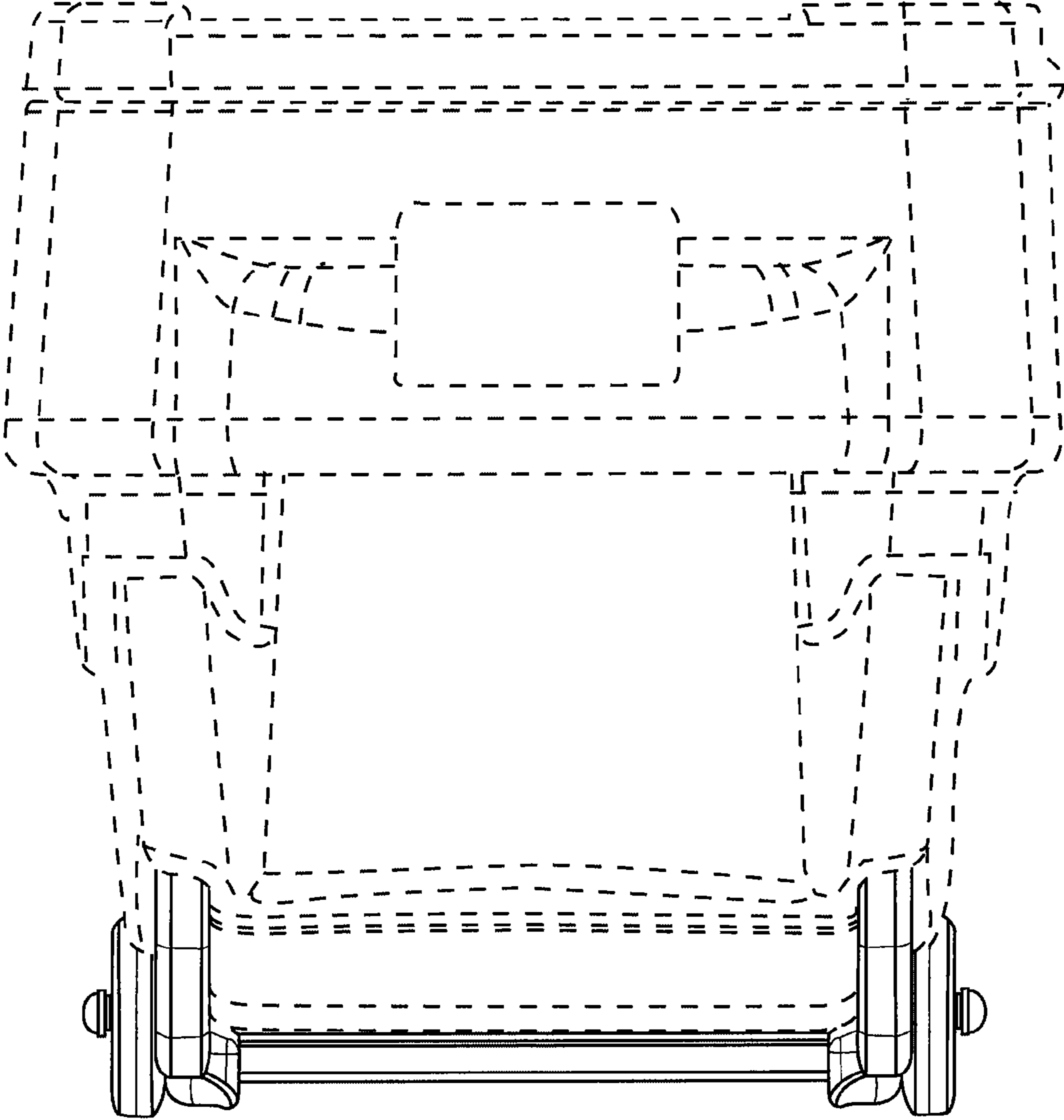


FIG. 8