



US00D701731S

(12) **United States Design Patent**
McClellan

(10) **Patent No.:** **US D701,731 S**

(45) **Date of Patent:** **** Apr. 1, 2014**

(54) **GOBLET**

(75) Inventor: **Ruth McClellan**, Pittsfield, PA (US)

(73) Assignee: **Whirley Industries, Inc.**, Warren, PA
(US)

(**) Term: **14 Years**

(21) Appl. No.: **29/428,878**

(22) Filed: **Aug. 3, 2012**

(51) **LOC (10) Cl.** **07-01**

(52) **U.S. Cl.**
USPC **D7/524; D7/558**

(58) **Field of Classification Search**
USPC D7/524, 528, 537, 558, 503, 523, 509;
362/101; 215/6, 377; 220/703, 592.16,
220/592.17; D6/534

See application file for complete search history.

(56) **References Cited**

U.S. PATENT DOCUMENTS

D52,622 S *	11/1918	Balda	D7/524
D52,652 S *	11/1918	Heisey	D7/524
D62,229 S *	4/1923	Magee	D7/558
D161,115 S *	12/1950	Meier	D7/524
3,045,855 A *	7/1962	Lipman	215/377
D196,446 S *	10/1963	Curtis	D7/524
D217,001 S *	3/1970	Stone	D7/524
D231,762 S *	6/1974	Stott	D7/527
D250,162 S *	11/1978	Eneroth	D7/537

* cited by examiner

Primary Examiner — Marianne Pandozzi

(74) *Attorney, Agent, or Firm* — Buchanan Ingersoll & Rooney PC

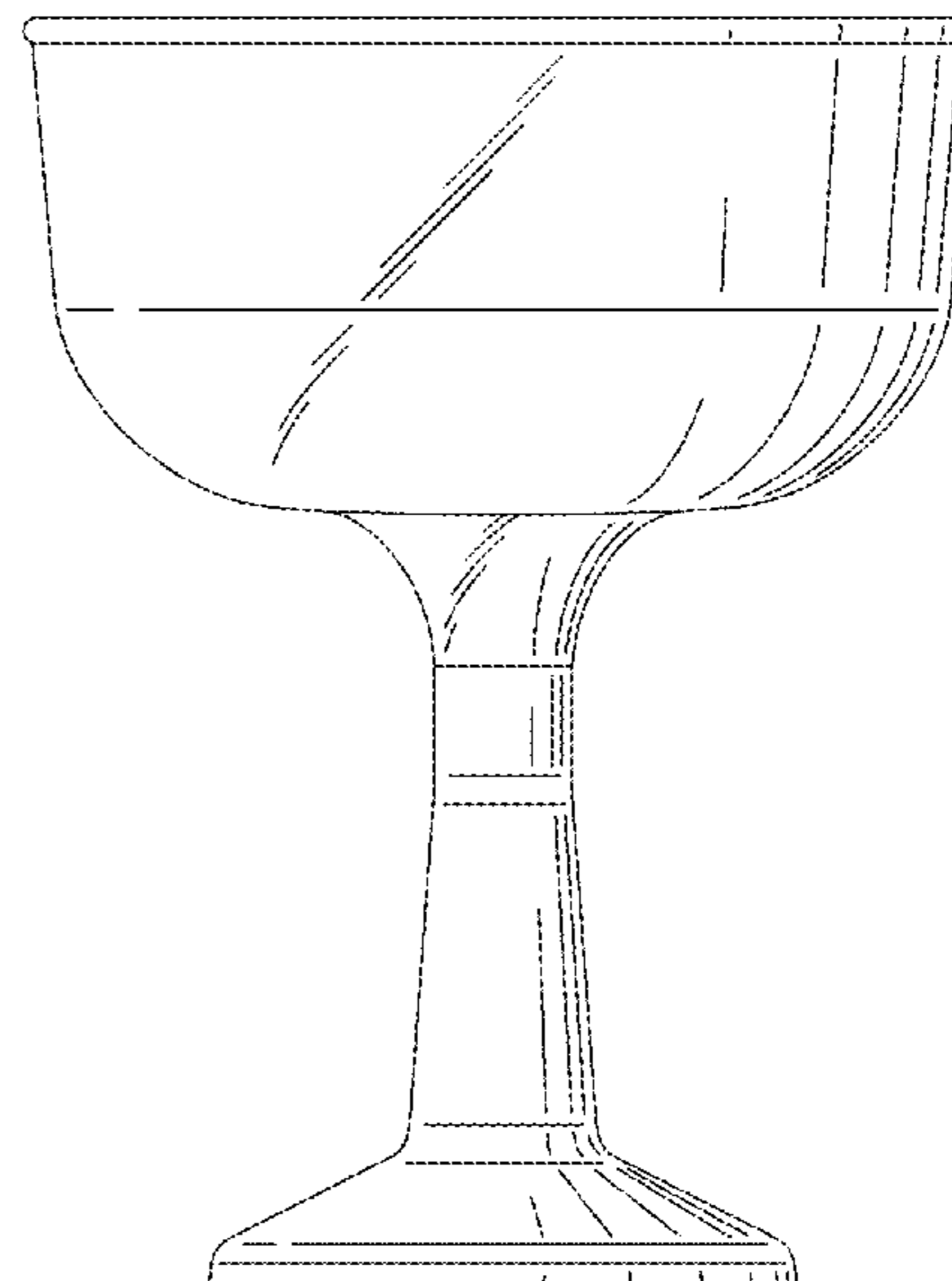
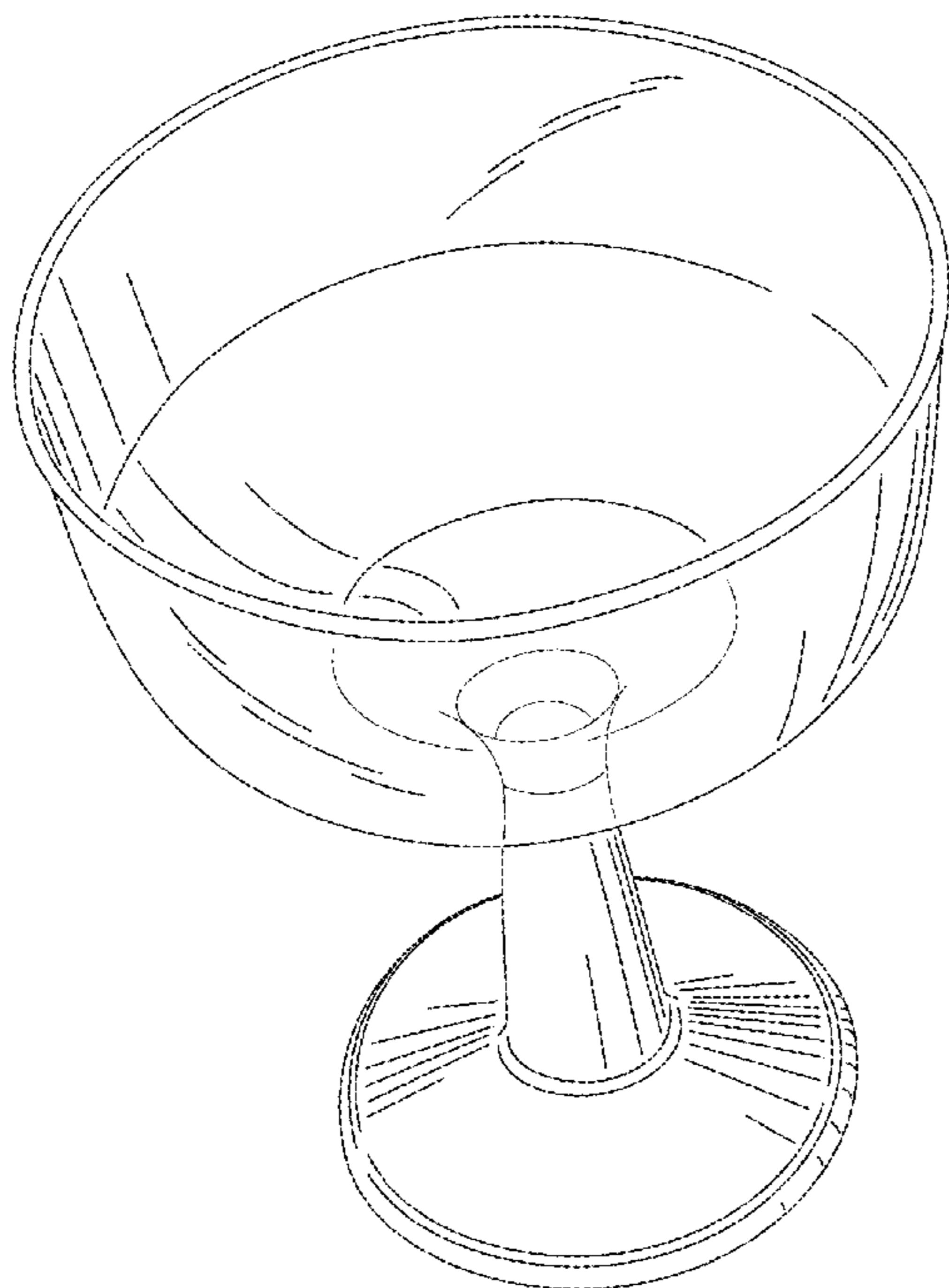
(57) **CLAIM**

The ornamental design for a goblet, as shown and described.

DESCRIPTION

FIG. 1 shows a perspective view of a goblet of the invention;
FIG. 2 shows a side view of the same;
FIG. 3 shows a top view of the same; and,
FIG. 4 shows a bottom view of the same.

1 Claim, 3 Drawing Sheets



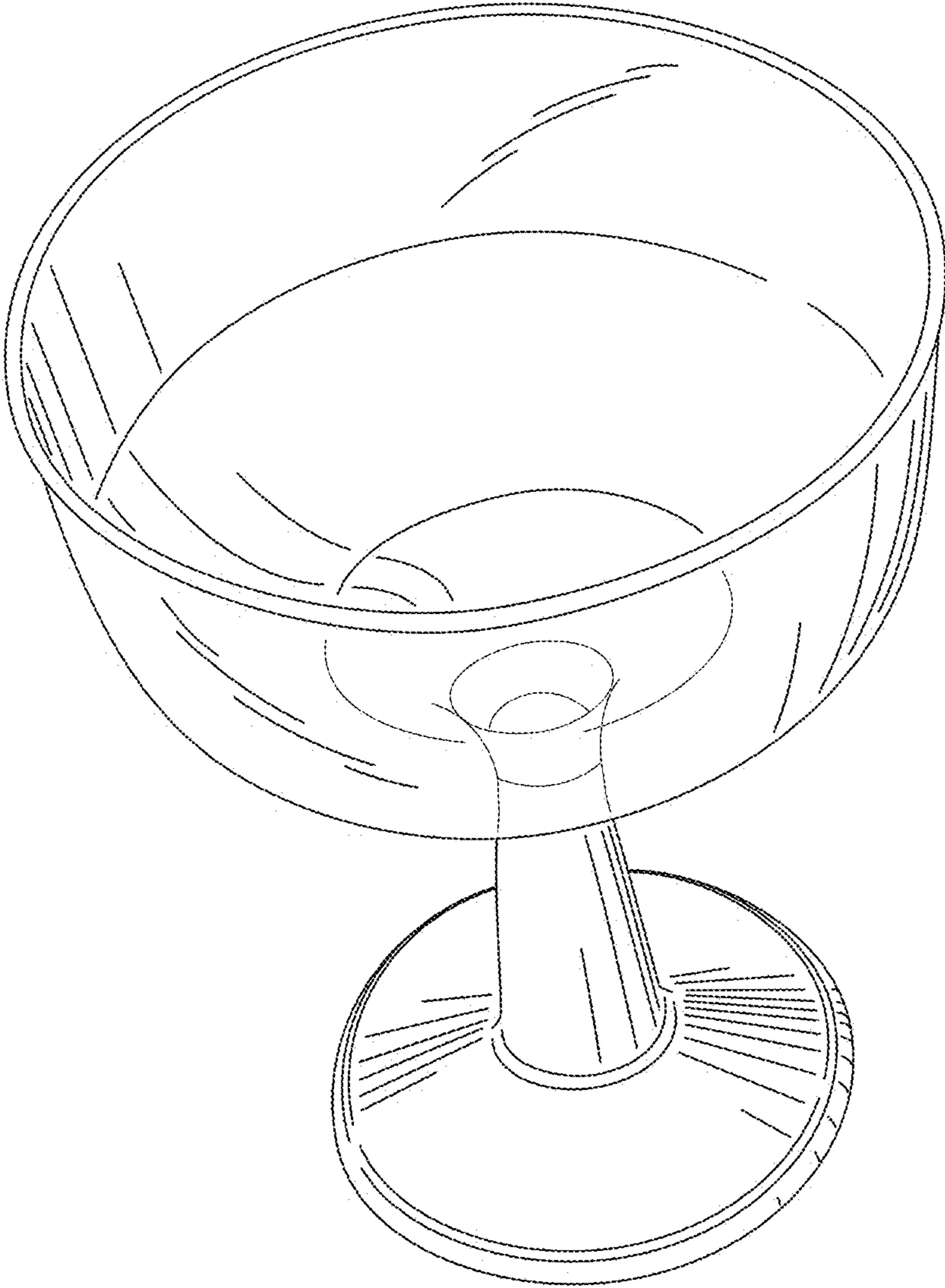


Fig. 1

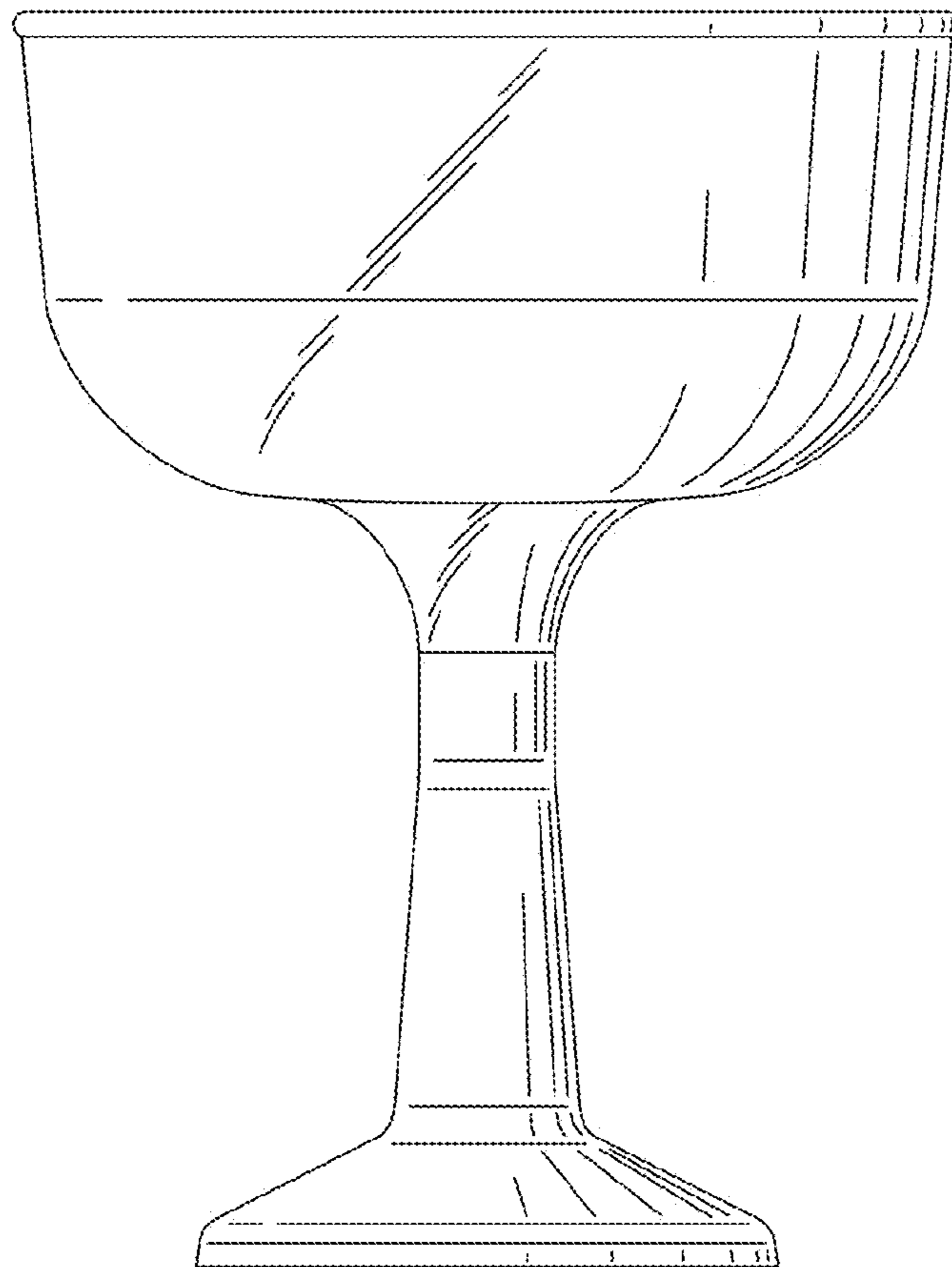


Fig. 2

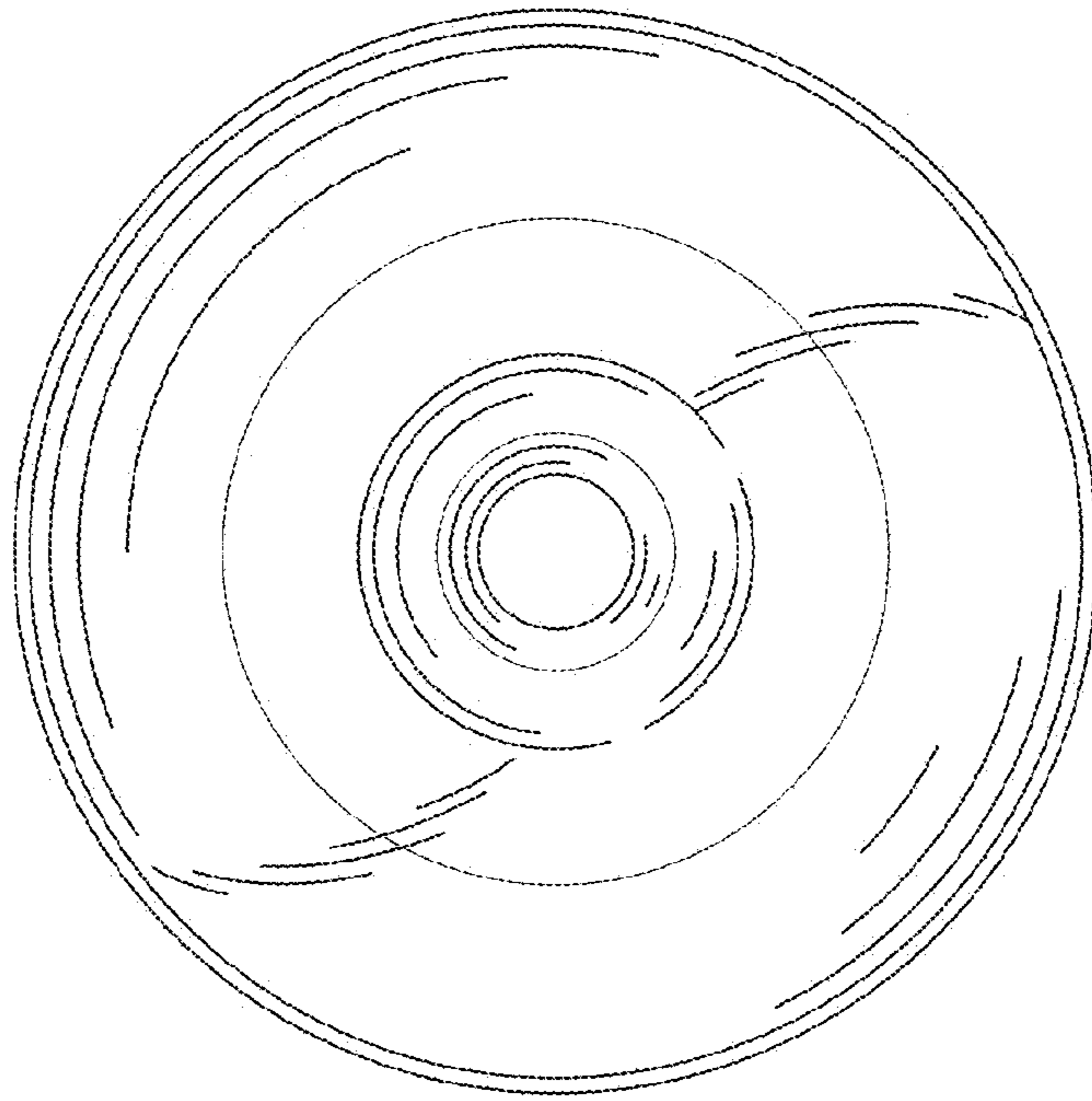


Fig. 3

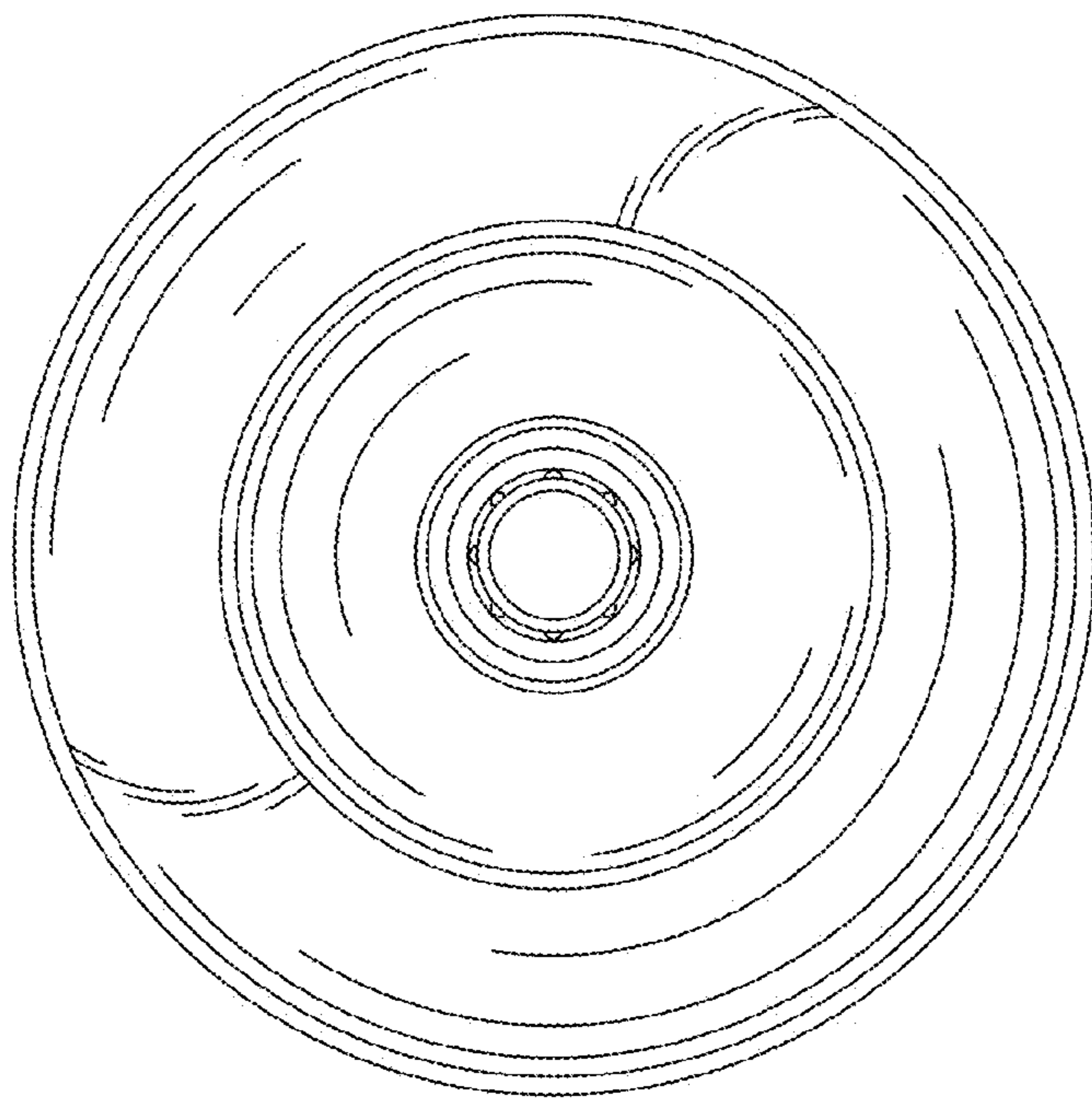


Fig. 4