

US00D701727S

(12) **United States Design Patent**
Gilbert

(10) **Patent No.:** **US D701,727 S**

(45) **Date of Patent:** **** Apr. 1, 2014**

- (54) **BEVERAGE CONTAINER**
- (75) Inventor: **Tyler Sean Gilbert**, Bellevue, WA (US)
- (73) Assignee: **Pacific Market International, LLC**,
Seattle, WA (US)
- (**) Term: **14 Years**
- (21) Appl. No.: **29/428,166**
- (22) Filed: **Jul. 26, 2012**
- (51) **LOC (10) Cl.** **07-01**
- (52) **U.S. Cl.**
USPC **D7/507; D7/510; D7/511; D7/300.1**
- (58) **Field of Classification Search**
USPC **D7/510, 511, 509, 523, 608, 316, 317,**
D7/300.1, 376, 378, 412, 507; 366/130,
366/247; 220/703, 592.16, 592.17, 739;
99/287; D23/209, 207; 210/205
See application file for complete search history.

D653,081	S *	1/2012	George	D7/510
D655,967	S *	3/2012	Bodum	D7/300.1
8,136,978	B2 *	3/2012	George et al.	366/130
8,191,727	B2 *	6/2012	Davies et al.	220/707
8,403,173	B2 *	3/2013	Wahl et al.	220/715
D682,034	S *	5/2013	El-Saden et al.	D7/510
8,469,226	B2 *	6/2013	Davies et al.	220/707

* cited by examiner

Primary Examiner — Marianne Pandozzi
(74) *Attorney, Agent, or Firm* — Davis Wright Tremaine
LLP; George C. Rondeau, Jr.

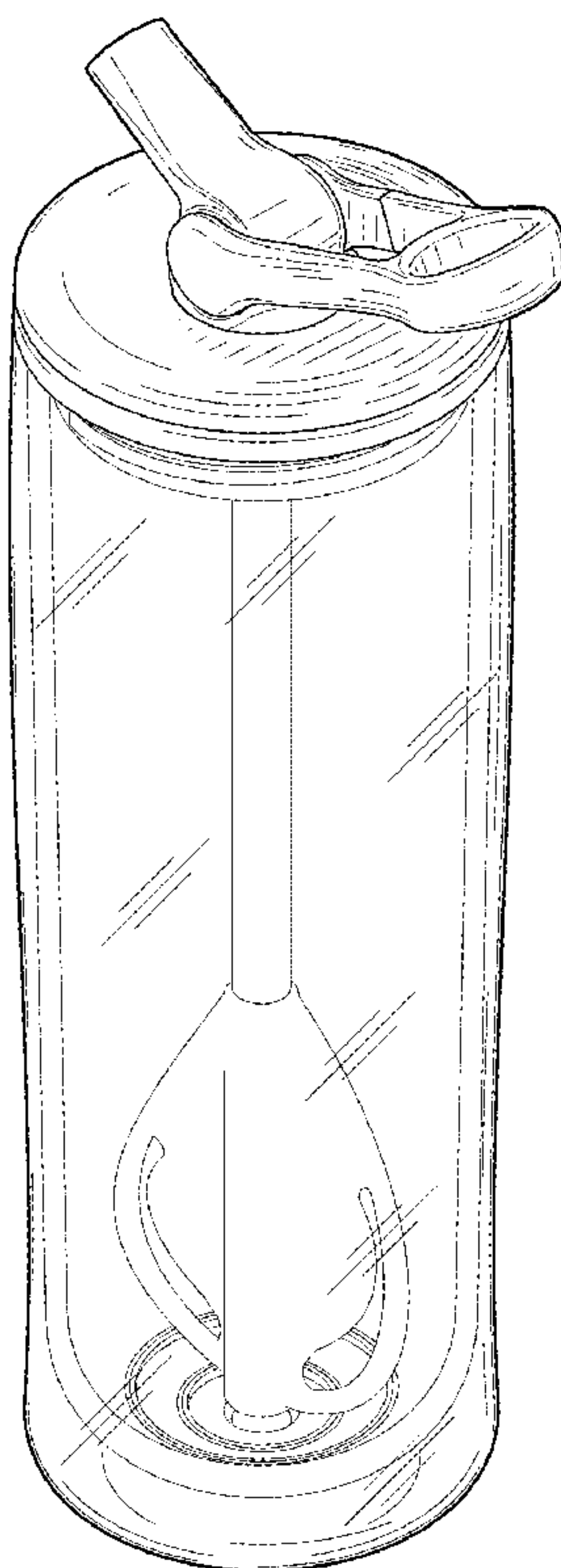
(57) **CLAIM**
The ornamental design for a beverage container, as shown and described.

DESCRIPTION

FIG. 1 is a top left side perspective view of a beverage container showing my new design.
FIG. 2 is a left side elevational view thereof.
FIG. 3 is a rear side elevational view thereof.
FIG. 4 is a front elevational view thereof.
FIG. 5 is a right elevational view thereof.
FIG. 6 is a top plan view thereof; and,
FIG. 7 is a bottom plan view thereof.

1 Claim, 6 Drawing Sheets

- (56) **References Cited**
U.S. PATENT DOCUMENTS
- | | | | | | |
|-----------|------|---------|-----------------|-------|----------|
| 5,407,270 | A * | 4/1995 | Barile et al. | | 366/247 |
| D441,247 | S * | 5/2001 | Beam | | D7/305 |
| 6,224,253 | B1 * | 5/2001 | Dixon | | 366/247 |
| D449,762 | S * | 10/2001 | Jacobson et al. | | D7/376 |
| D510,678 | S * | 10/2005 | Krasne et al. | | D7/376 |
| D547,607 | S * | 7/2007 | Forsman | | D7/396.2 |
| 7,533,783 | B2 * | 5/2009 | Choi et al. | | 220/714 |



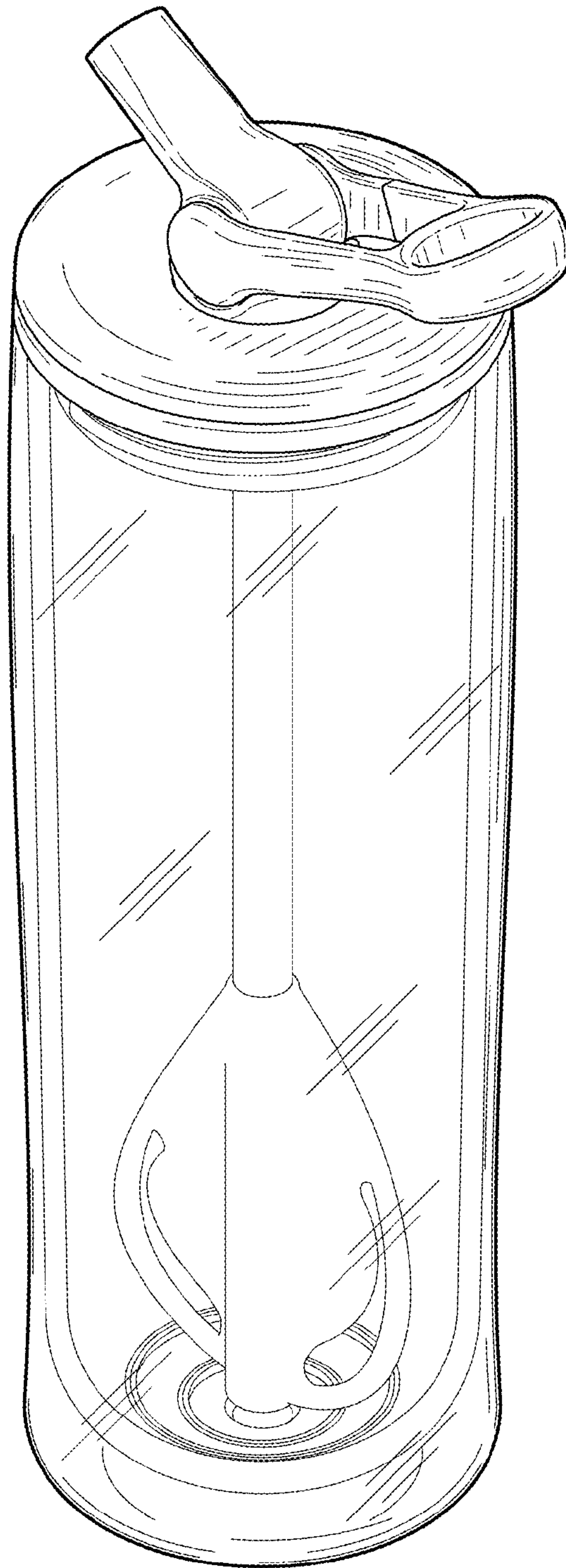


FIG. 1

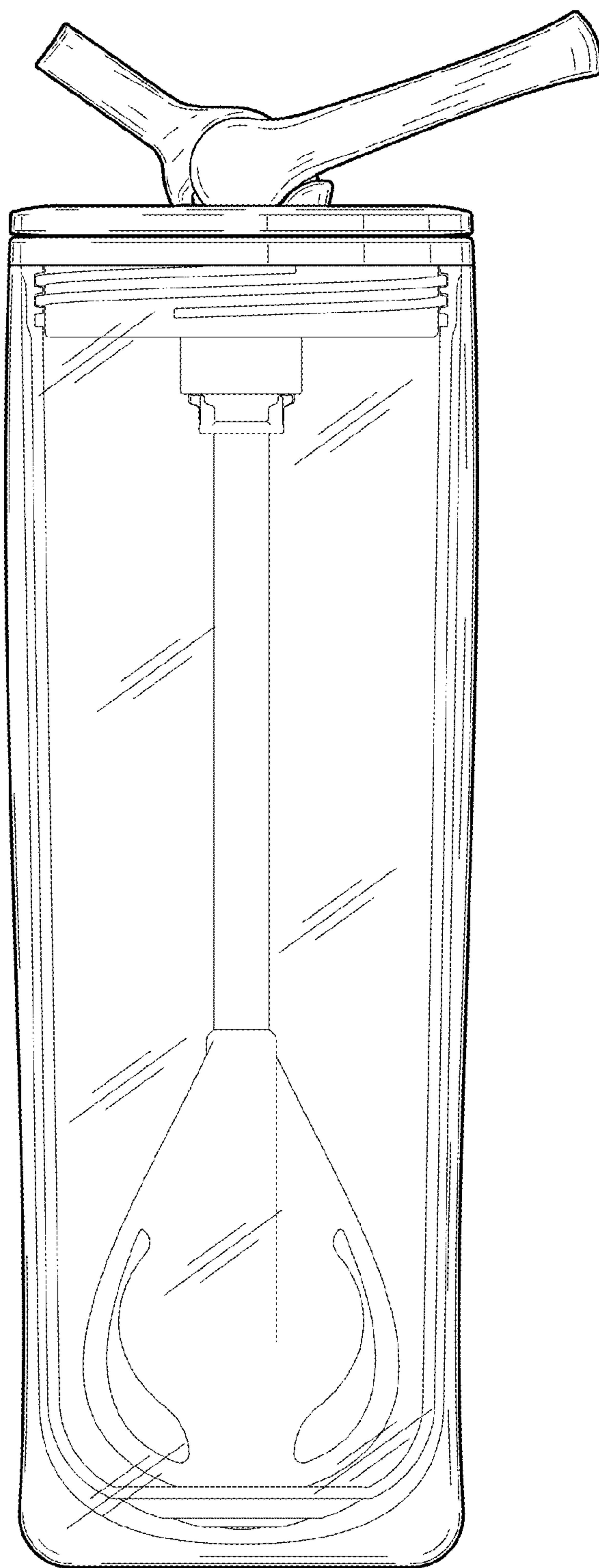


FIG.2

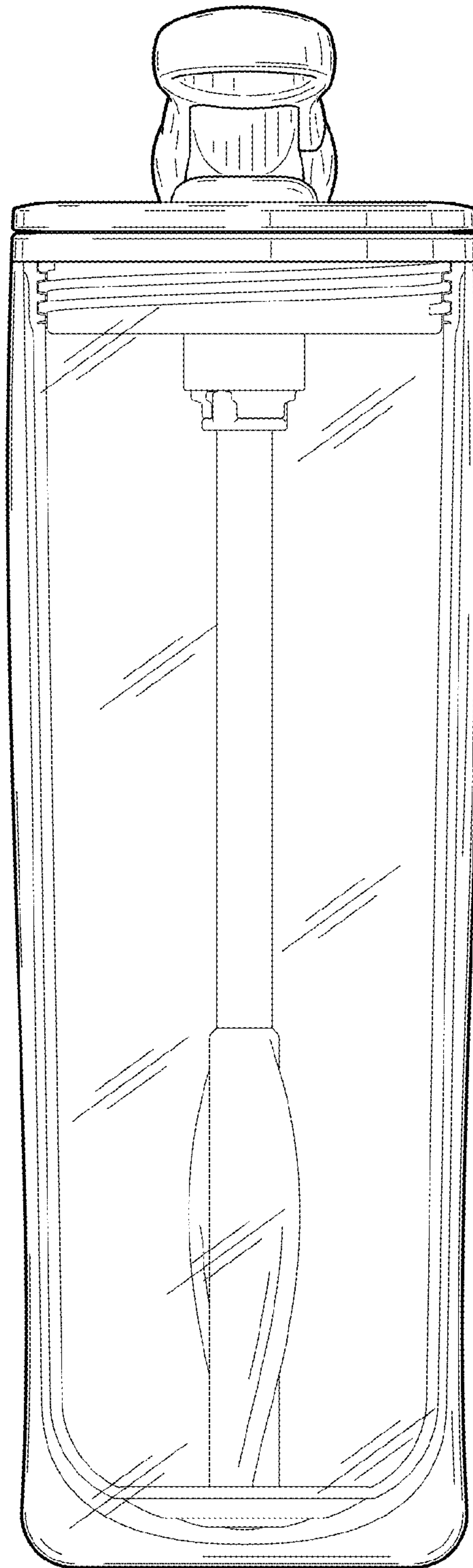


FIG. 3

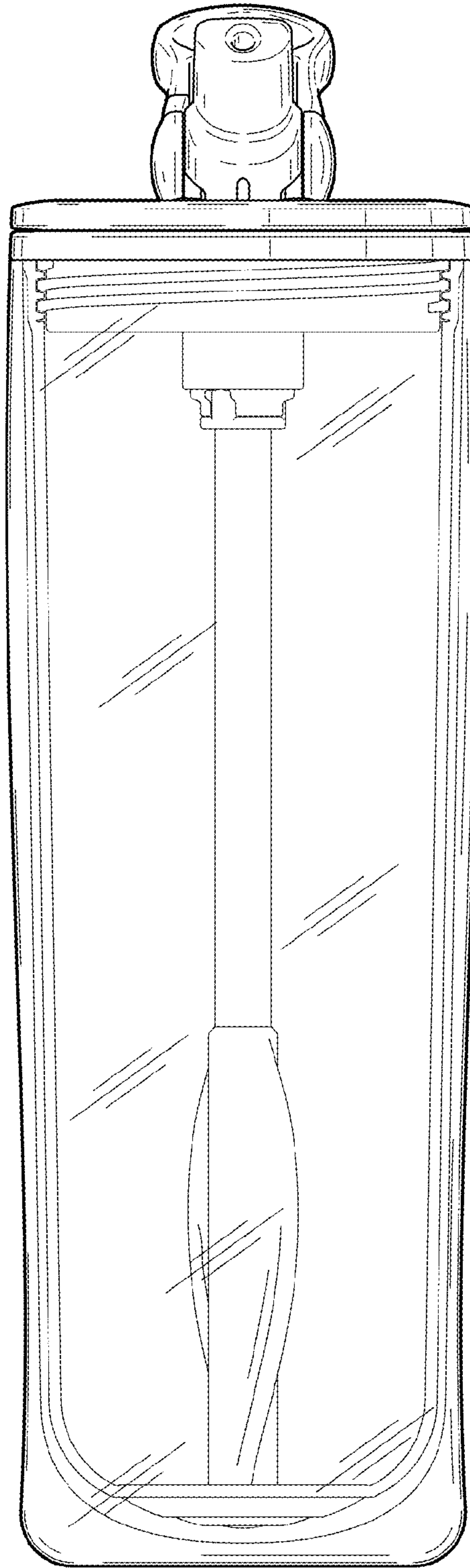


FIG. 4

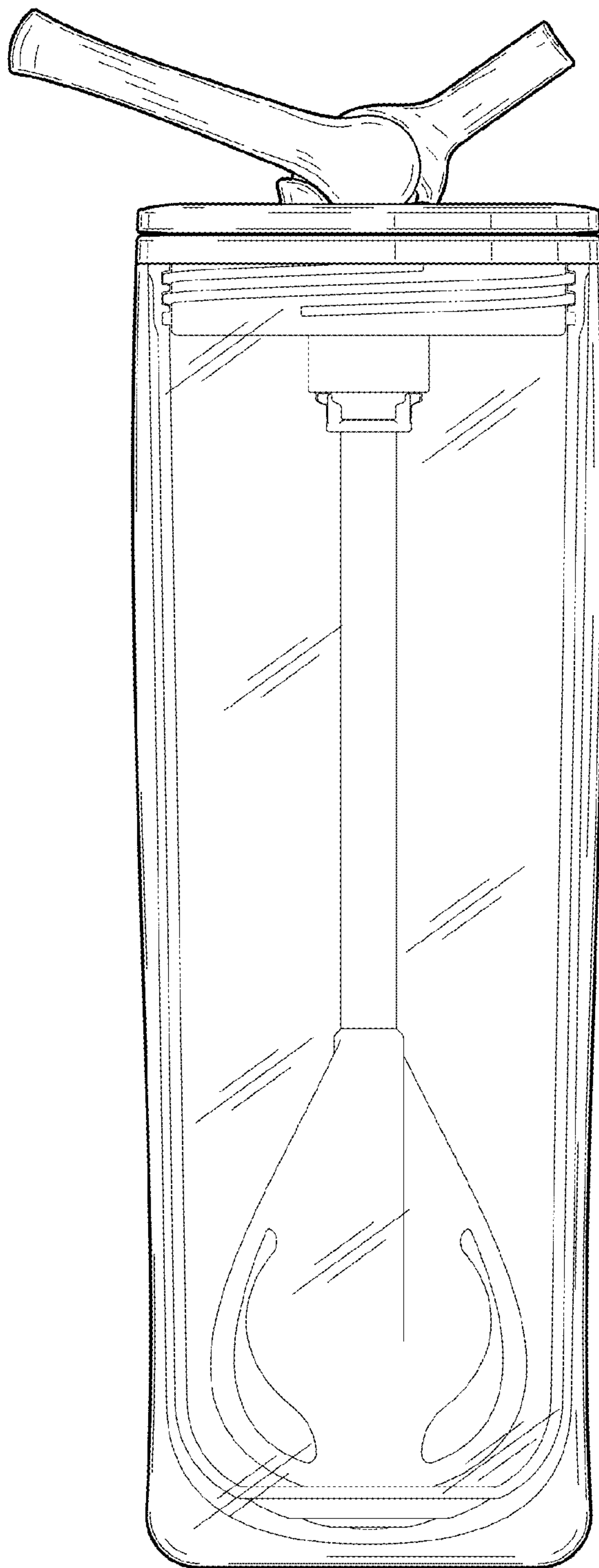


FIG. 5

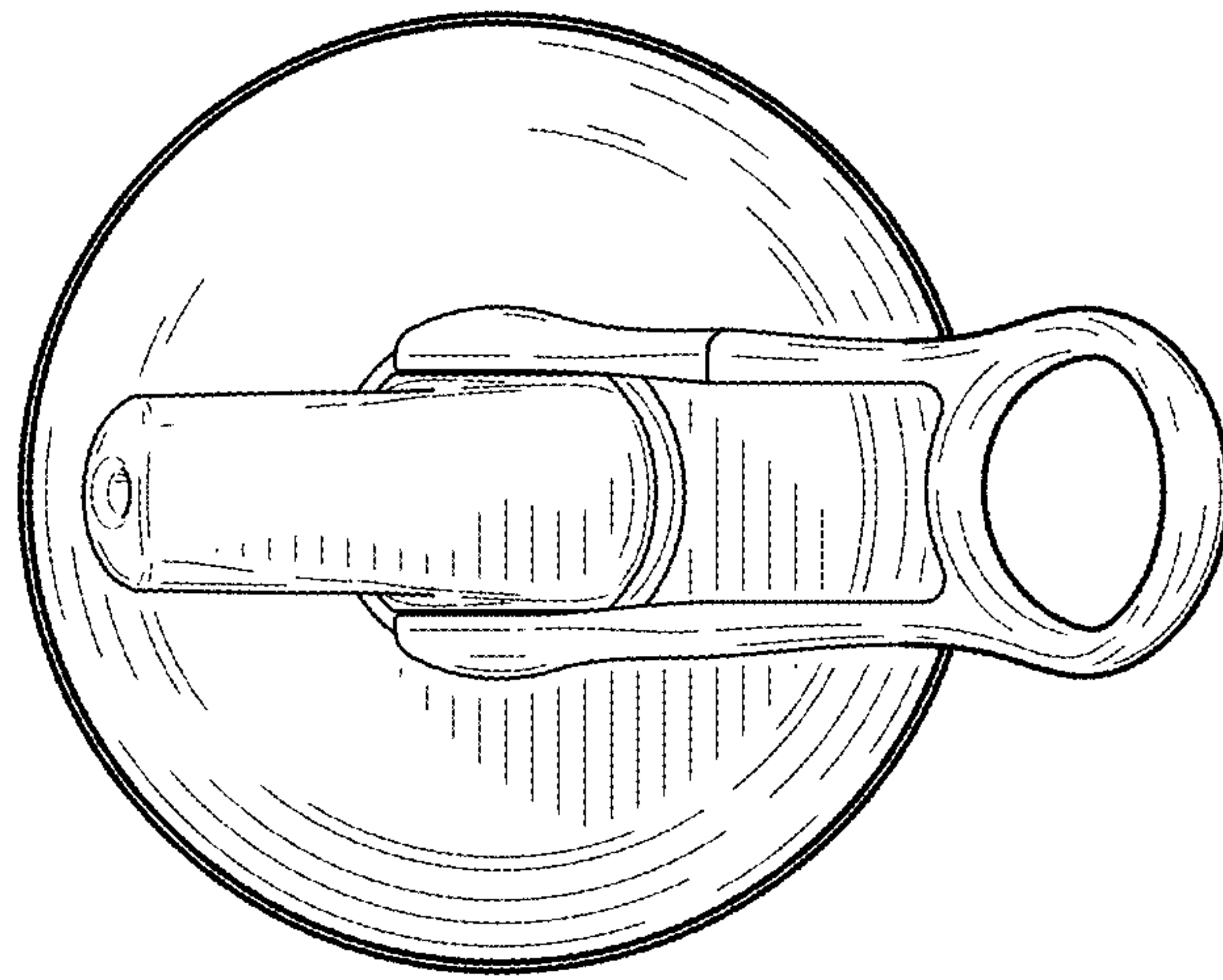


FIG. 6

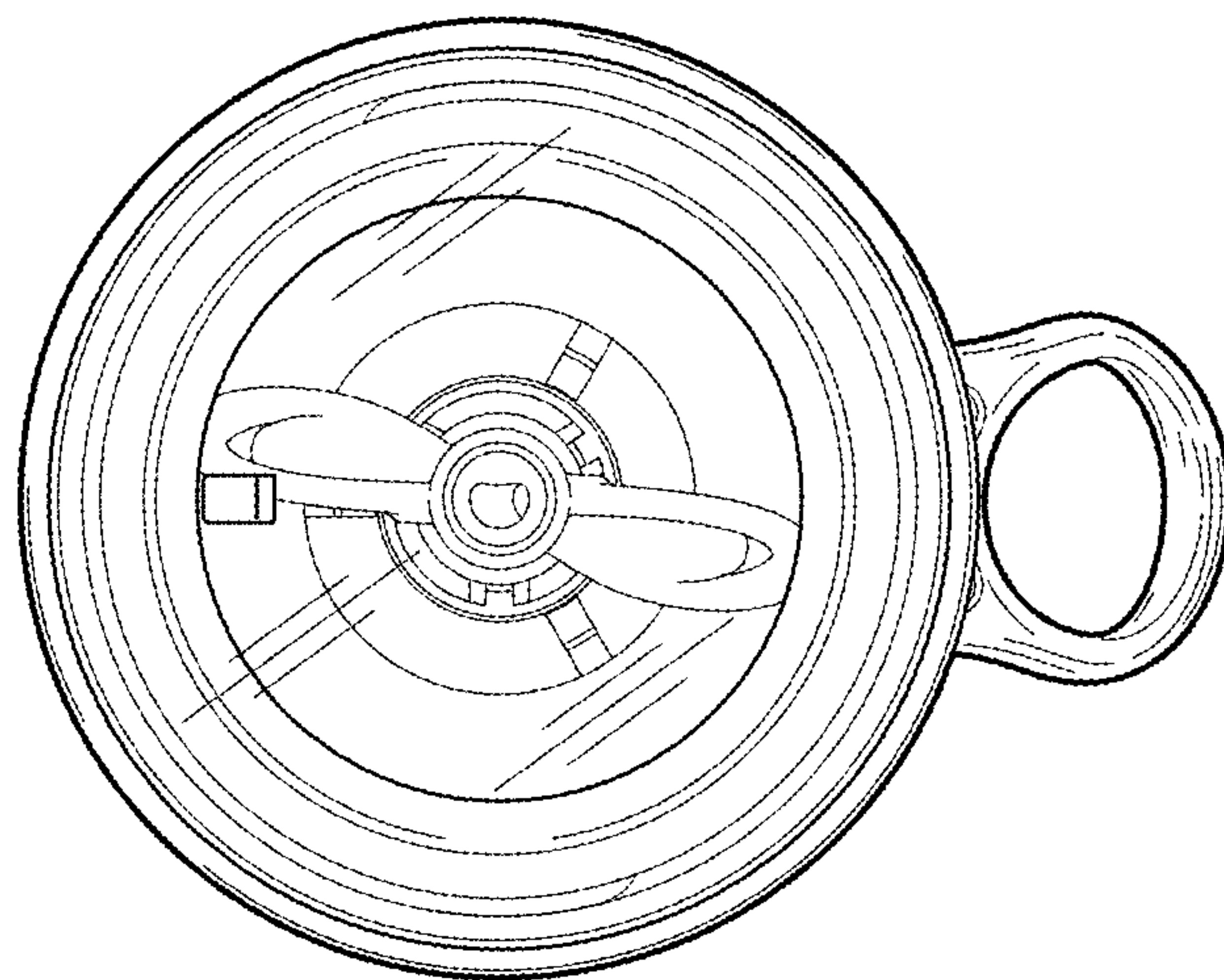


FIG. 7