



US00D701725S

(12) **United States Design Patent**
Wang

(10) **Patent No.:** **US D701,725 S**
(45) **Date of Patent:** **** Apr. 1, 2014**

(54) **CREAM WHIPPER**

(71) Applicant: **Qinghua Wang**, Taizhou (CN)

(72) Inventor: **Qinghua Wang**, Taizhou (CN)

(**) Term: **14 Years**

(21) Appl. No.: **29/452,758**

(22) Filed: **Apr. 22, 2013**

(30) **Foreign Application Priority Data**

Oct. 22, 2012 (CN) 2012 3 0504725

(51) **LOC (10) Cl.** **31-00**

(52) **U.S. Cl.**

USPC **D7/369**

(58) **Field of Classification Search**

USPC D7/300.1, 301-313, 316-326, 354-357,
D7/368-369, 372-386, 391-398, 402,
D7/412-415, 503, 515, 543, 584-587, 607,
D7/665-666, 679, 691-693; D9/447-448,
D9/682-685, 691; D29/126; 99/280, 326,
99/348, 486, 492, 508-512; 222/1,
222/153.11, 153.13, 182, 190, 399, 402.1,
222/402.13, 402.15, 402.21, 402.23;
241/30-37.5, 82.1, 92, 98,
241/101.01-101.2, 166-169.1, 172, 272,
241/282.2, 285.1-285.3, 291, 292.1;
261/33; 366/44, 64-67, 98, 129,
366/142-146, 169.1, 192-211, 241-254,
366/262, 279-292, 314, 325.8, 325.92,
366/341-347; 416/75-77, 70 R, 163

See application file for complete search history.

(56) **References Cited**

U.S. PATENT DOCUMENTS

D121,052 S * 6/1940 Ward D7/300.1
D152,645 S * 2/1949 Nurkiewicz D29/126
2,576,947 A * 12/1951 Larson 261/33

3,317,092 A * 5/1967 Jurasek 222/402.13
D213,489 S * 3/1969 Foxell D7/300.1
3,954,208 A * 5/1976 Brill 222/402.23
4,856,684 A * 8/1989 Gerstung 222/402.23
D331,365 S * 12/1992 Davis D9/447
D338,615 S * 8/1993 Magidson et al. D9/685
5,553,755 A * 9/1996 Bonewald et al. 222/402.21
D385,745 S * 11/1997 Valentinitzsch D7/300.1
5,848,729 A * 12/1998 Thornton 222/190
6,325,256 B1 * 12/2001 Liljeqvist et al. 222/402.15
6,474,510 B2 * 11/2002 Frutin 222/153.11
D472,459 S * 4/2003 Stadermann et al. D9/691
6,607,106 B2 * 8/2003 Henry et al. 222/402.1
6,637,627 B1 * 10/2003 Liljeqvist et al. 222/402.15
6,824,018 B1 * 11/2004 Eaddy et al. 222/153.13
6,918,516 B2 * 7/2005 Frutin 222/402.15
7,100,799 B2 * 9/2006 Gruenewald et al. 222/1
D580,273 S * 11/2008 Stinesen et al. D9/682
D601,894 S * 10/2009 Cho et al. D9/447
7,631,785 B2 * 12/2009 Paas et al. 222/182
D627,639 S * 11/2010 Ziegler et al. D9/448
2005/0082312 A1 * 4/2005 Gruenewald et al. 222/1
2007/0000952 A1 * 1/2007 Gruenewald et al. 222/399

* cited by examiner

Primary Examiner — Ricky Pham

(74) *Attorney, Agent, or Firm* — Jacobson Holman PLLC;
Jiwen Chen

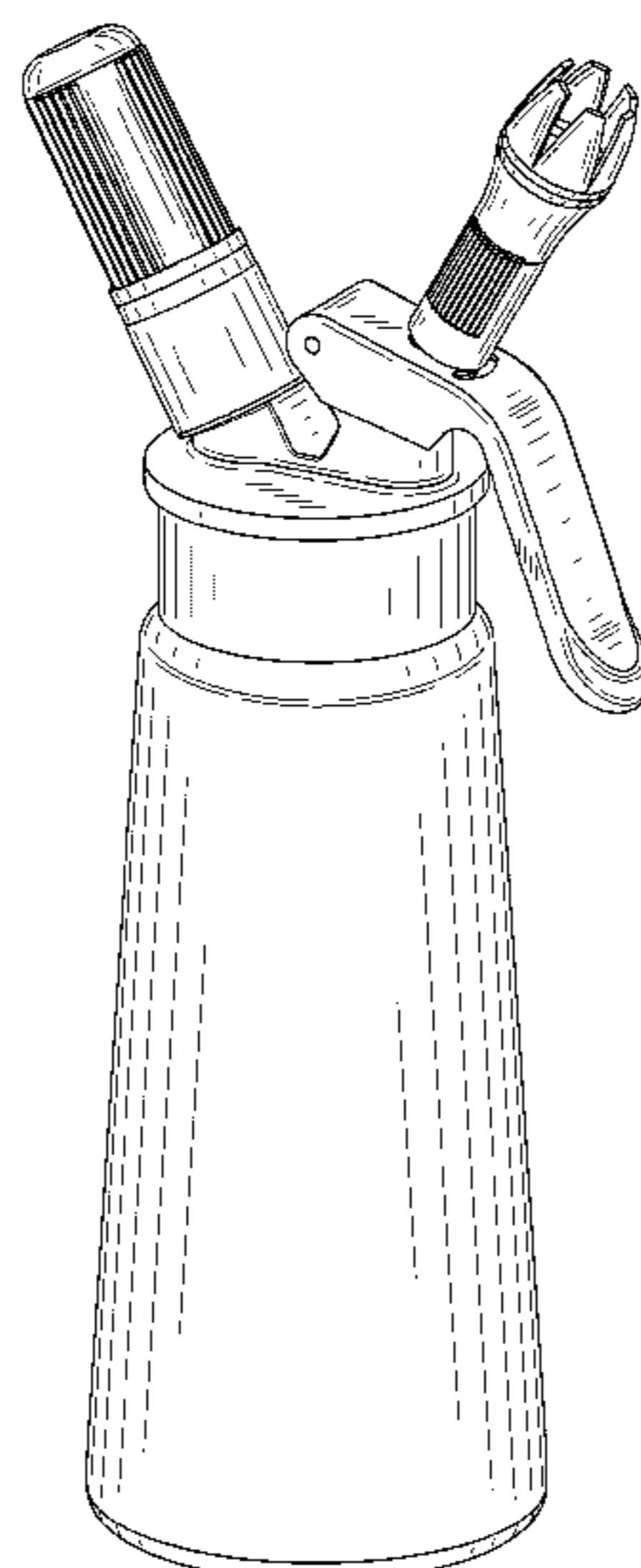
(57) **CLAIM**

The ornamental design for the cream whipper, as shown and described.

DESCRIPTION

FIG. 1 is a perspective view of the cream whipper showing the design;
FIG. 2 is a front elevational view thereof;
FIG. 3 is a rear elevational view thereof;
FIG. 4 is a top plan view thereof;
FIG. 5 is a bottom plan view thereof;
FIG. 6 is a right side view thereof; and,
FIG. 7 is a left side view thereof.

1 Claim, 6 Drawing Sheets



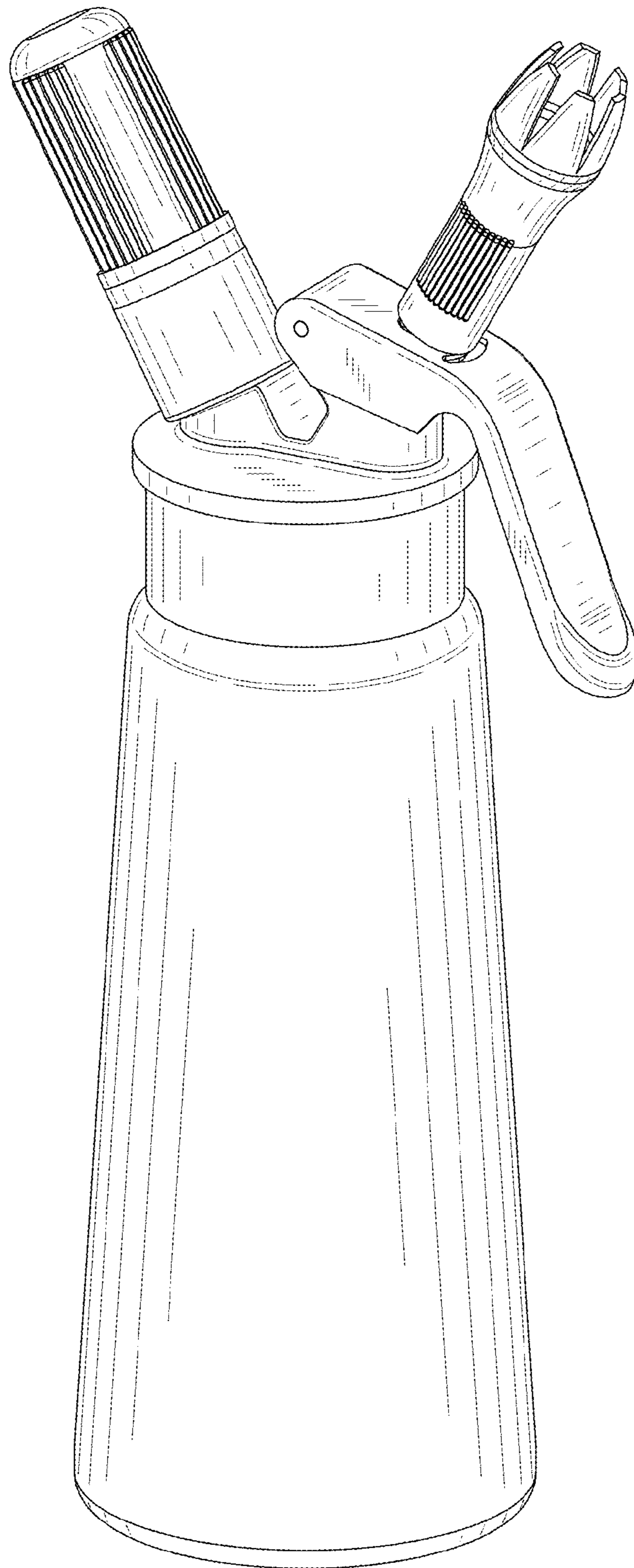


FIG. 1

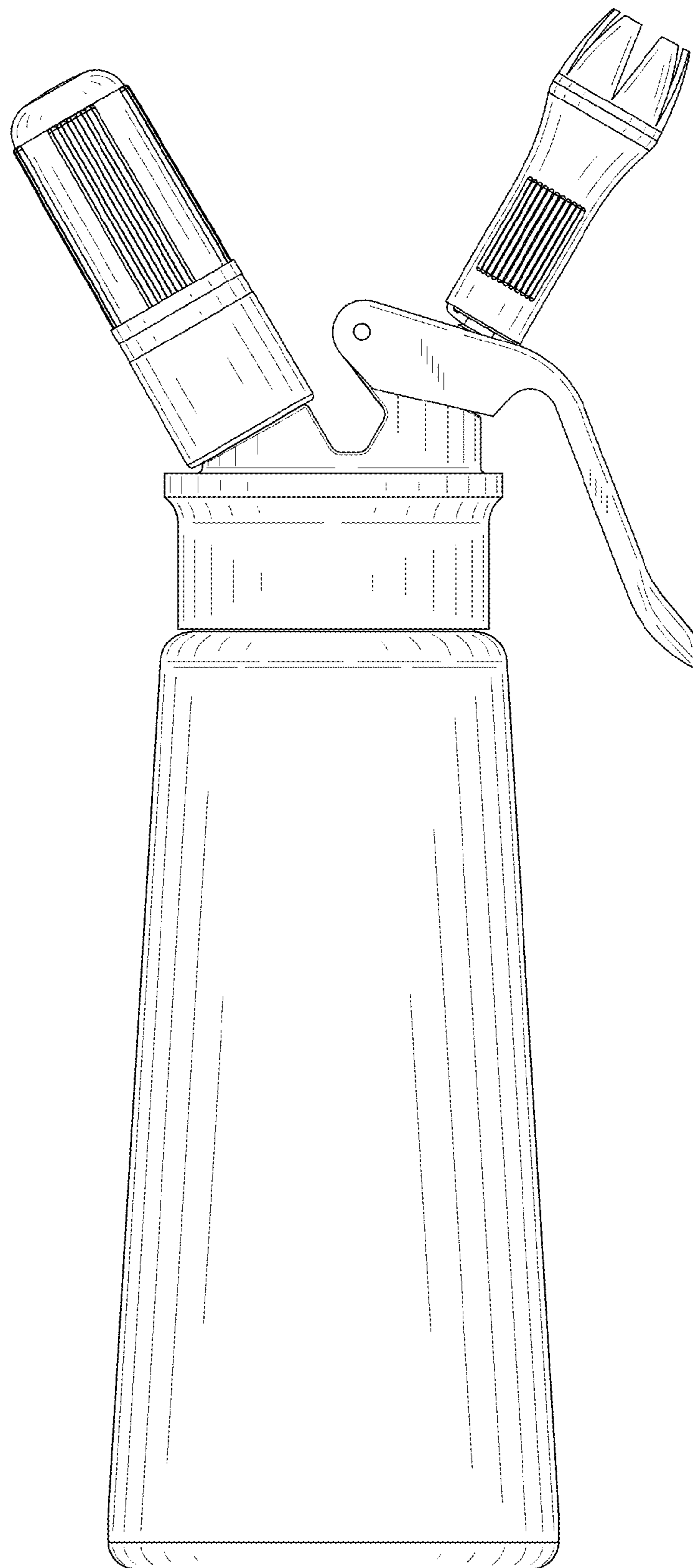


FIG. 2

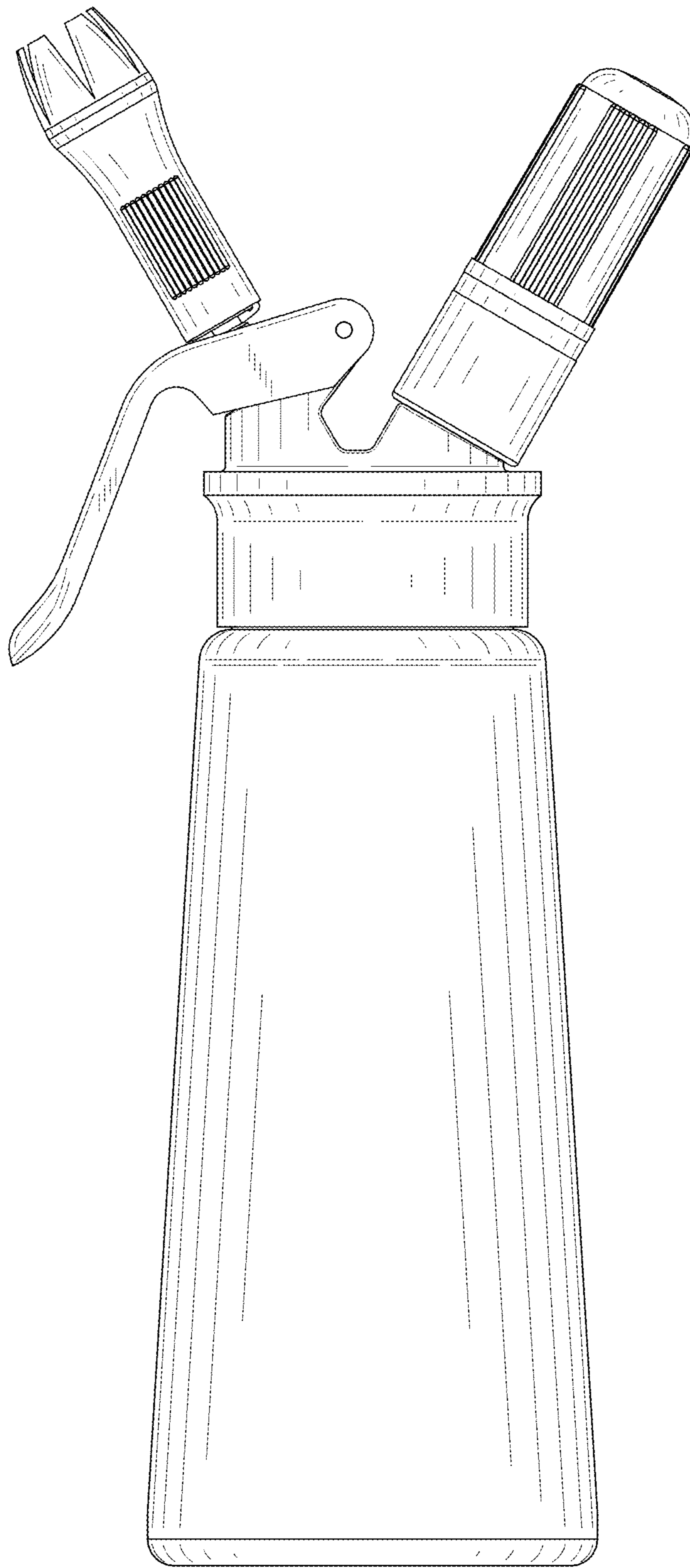


FIG. 3

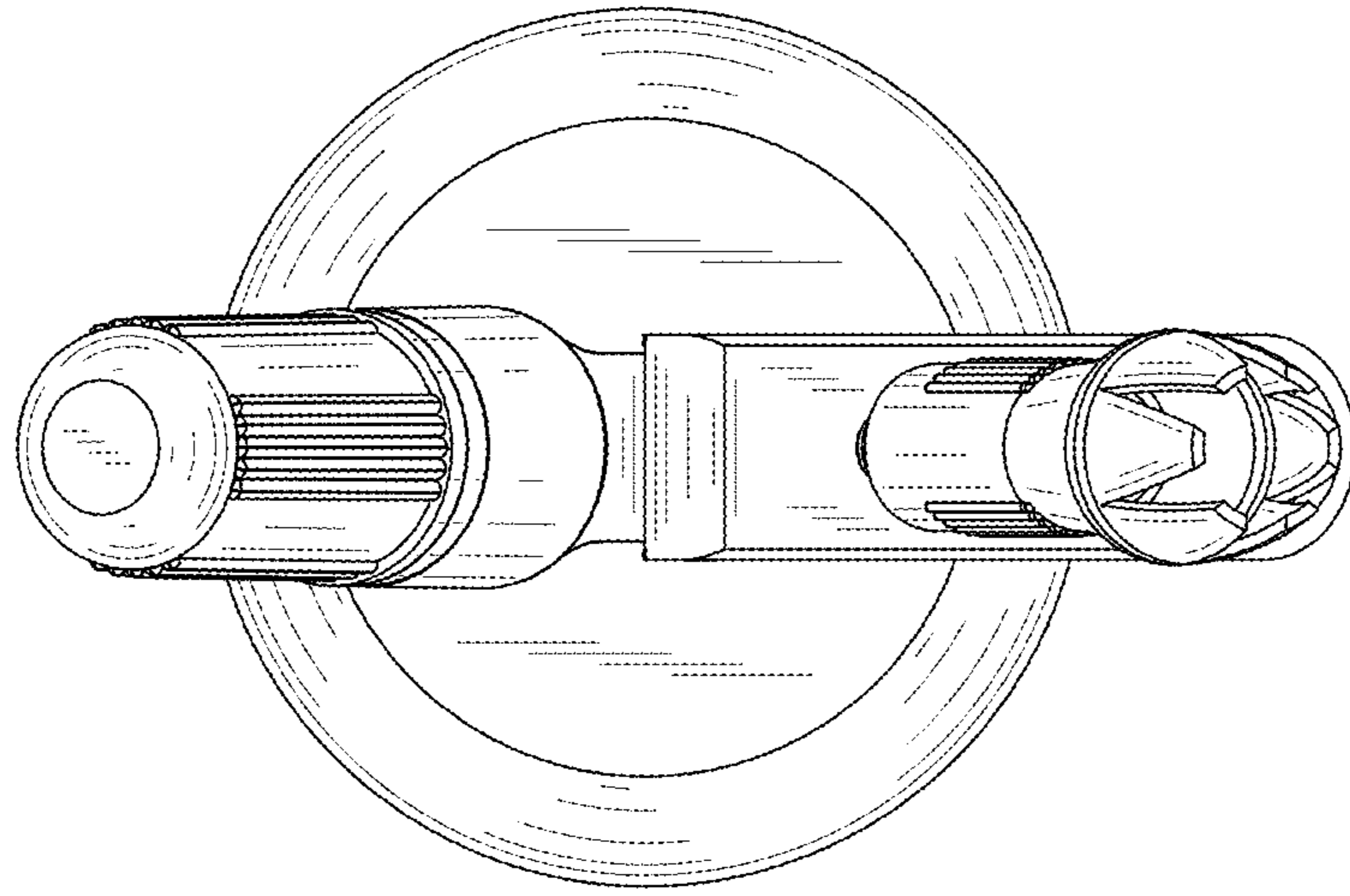


FIG. 4

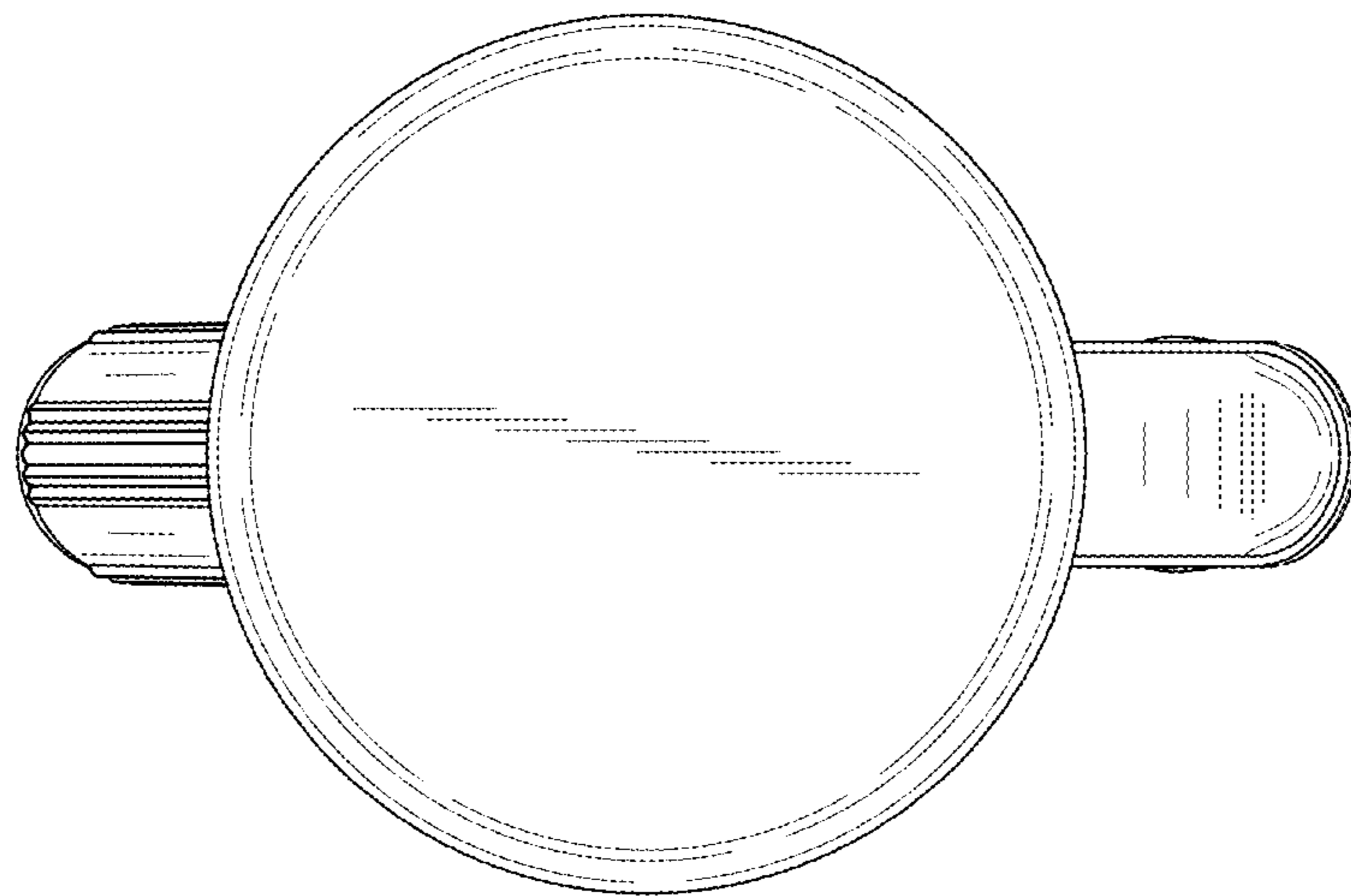


FIG. 5

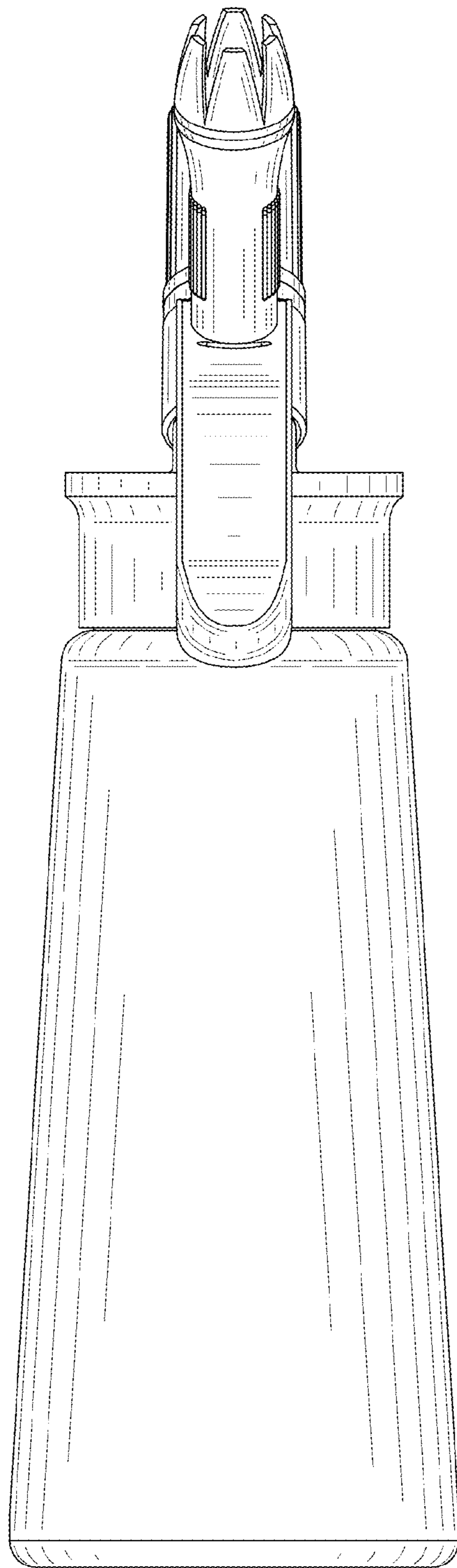


FIG. 6

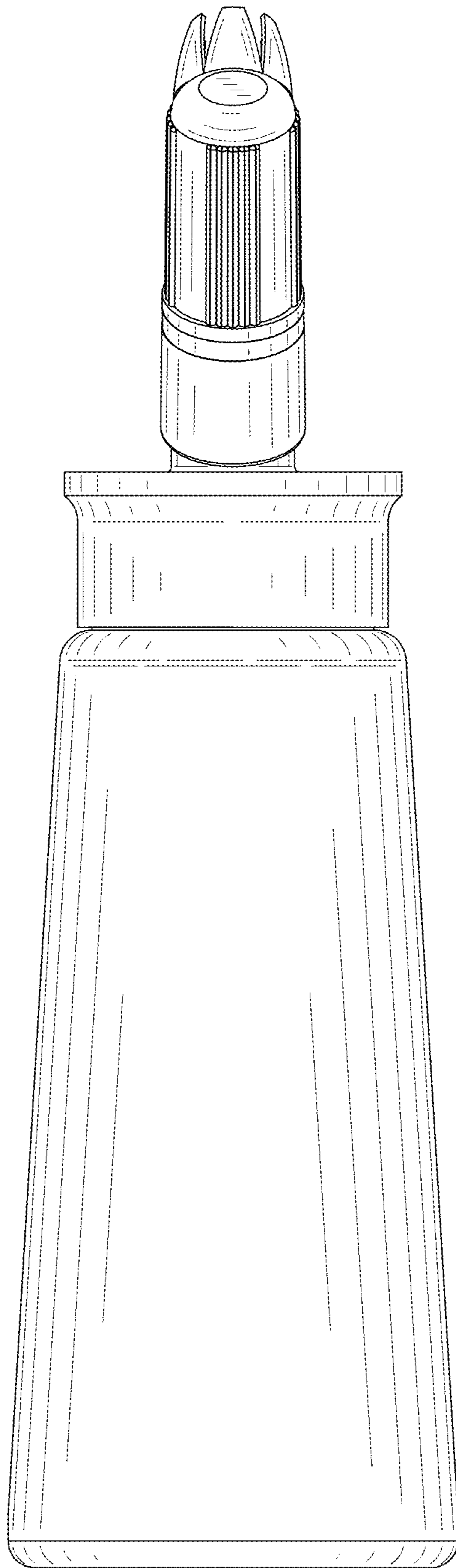


FIG. 7