



US00D701721S

(12) **United States Design Patent**  
**Jan**

(10) **Patent No.:** **US D701,721 S**

(45) **Date of Patent:** **\*\* Apr. 1, 2014**

(54) **CAMPING STOVE**

(71) Applicant: **Jeffrey Jan**, Fort Worth, TX (US)

(72) Inventor: **Jeffrey Jan**, Fort Worth, TX (US)

(\*\*) Term: **14 Years**

(21) Appl. No.: **29/443,808**

(22) Filed: **Jan. 22, 2013**

(51) **LOC (10) Cl.** ..... **07-02**

(52) **U.S. Cl.**  
USPC ..... **D7/332**

(58) **Field of Classification Search**  
USPC ..... 126/25 R, 25 A, 25 AA, 25 B, 9 R, 9 B,  
126/41 R, 37 R, 40, 50; D6/574; 211/90.01,  
211/90.04; 108/65, 69  
See application file for complete search history.

(56) **References Cited**

**U.S. PATENT DOCUMENTS**

D100,012 S *	6/1936	Ford	.....	D7/337
D196,018 S *	8/1963	Palmer et al.	.....	D7/337
D229,277 S *	11/1973	Chan	.....	D7/337
D258,712 S *	3/1981	Jacobson	.....	D7/317
D273,264 S *	4/1984	Elliston	.....	D7/332
5,024,208 A *	6/1991	Hottenroth et al.	.....	126/25 R
D355,809 S *	2/1995	Kothrade	.....	D7/337
D422,452 S *	4/2000	Persson	.....	D7/402
D435,191 S *	12/2000	Cooper	.....	D7/337
D442,422 S *	5/2001	Dabney	.....	D7/337
D444,991 S *	7/2001	Measom	.....	D7/337
D488,023 S *	4/2004	Siegel et al.	.....	D7/337
D491,409 S *	6/2004	Siegel et al.	.....	D7/332
D495,552 S *	9/2004	Siegel et al.	.....	D7/332

D531,849 S *	11/2006	Turner	.....	D7/332
D534,756 S *	1/2007	Jensen	.....	D7/332
D612,191 S *	3/2010	Taber et al.	.....	D7/337
D612,662 S *	3/2010	Lorenz et al.	.....	D7/337
D618,038 S *	6/2010	Davies et al.	.....	D7/337
D644,474 S *	9/2011	Wilgus et al.	.....	D7/332
D683,999 S *	6/2013	Karlsson	.....	D7/337

\* cited by examiner

*Primary Examiner* — Ruth McInroy

(74) *Attorney, Agent, or Firm* — Richards Patent Law P.C.

(57) **CLAIM**

The ornamental design for a camping stove, as shown and described.

**DESCRIPTION**

FIG. 1 is a top perspective view of a camping stove showing my new design;  
 FIG. 2 is a bottom perspective view thereof;  
 FIG. 3 is a front view thereof;  
 FIG. 4 is a back view thereof;  
 FIG. 5 is a right side view thereof;  
 FIG. 6 is a left side view thereof;  
 FIG. 7 is a top view thereof;  
 FIG. 8 is a bottom view thereof;  
 FIG. 9 is a top perspective view thereof showing a detail in a raised position;  
 FIG. 10 is a front view of FIG. 9;  
 FIG. 11 is a rear view of FIG. 9;  
 FIG. 12 is a right side view of FIG. 9;  
 FIG. 13 is a left side view of FIG. 9;  
 FIG. 14 is a top view of FIG. 9; and,  
 FIG. 15 is a bottom view of FIG. 9.

**1 Claim, 10 Drawing Sheets**

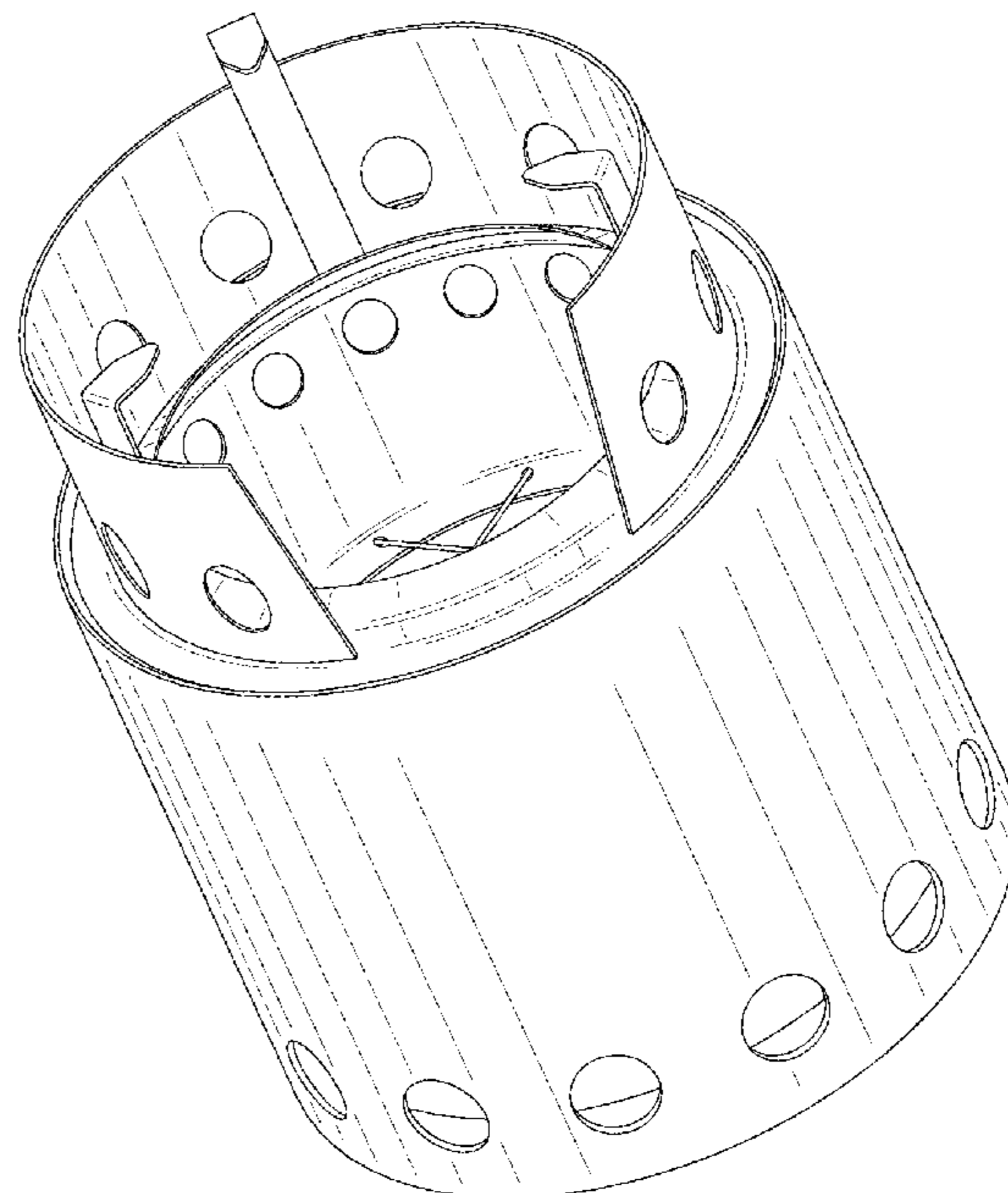
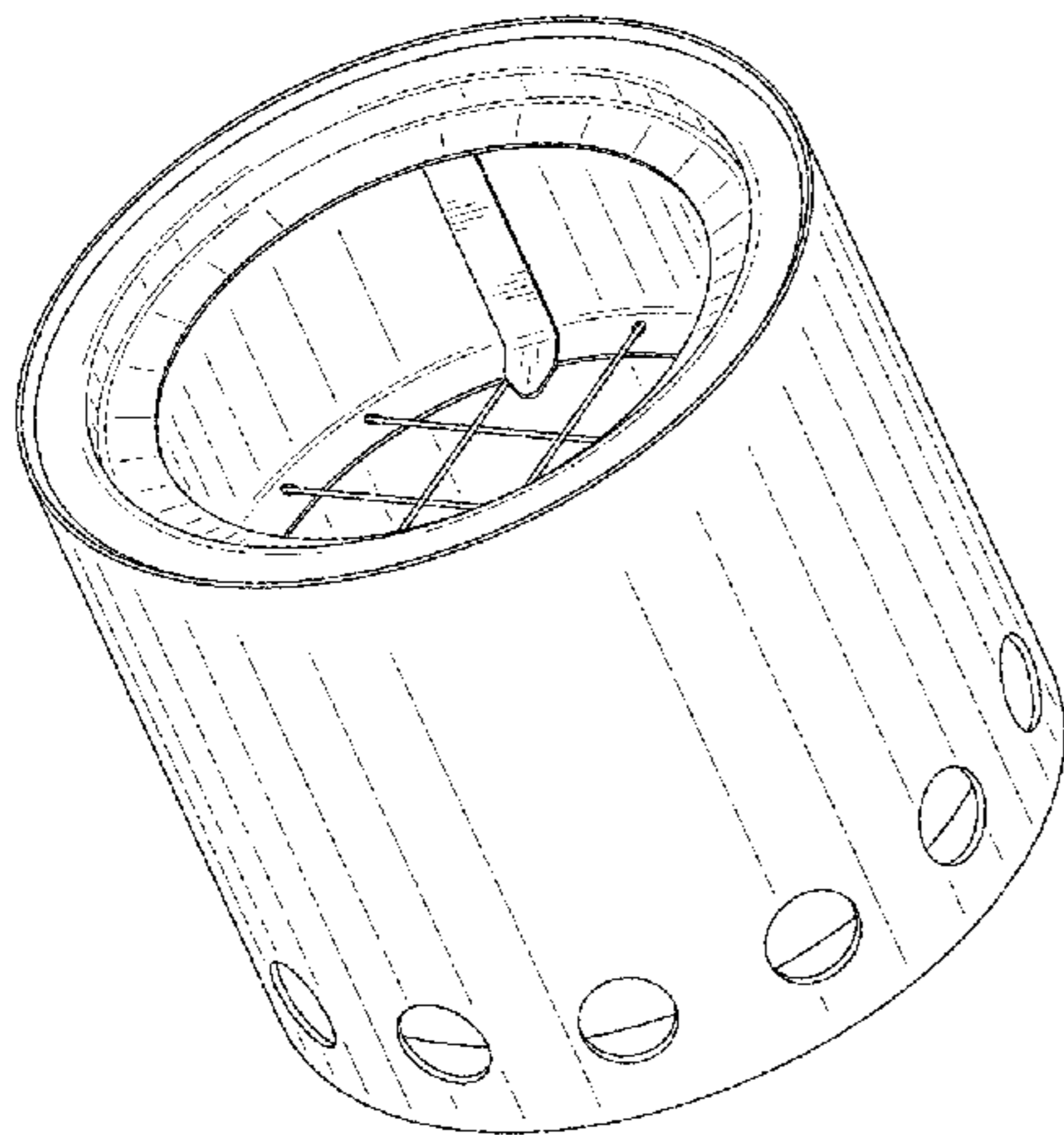


FIG. 1

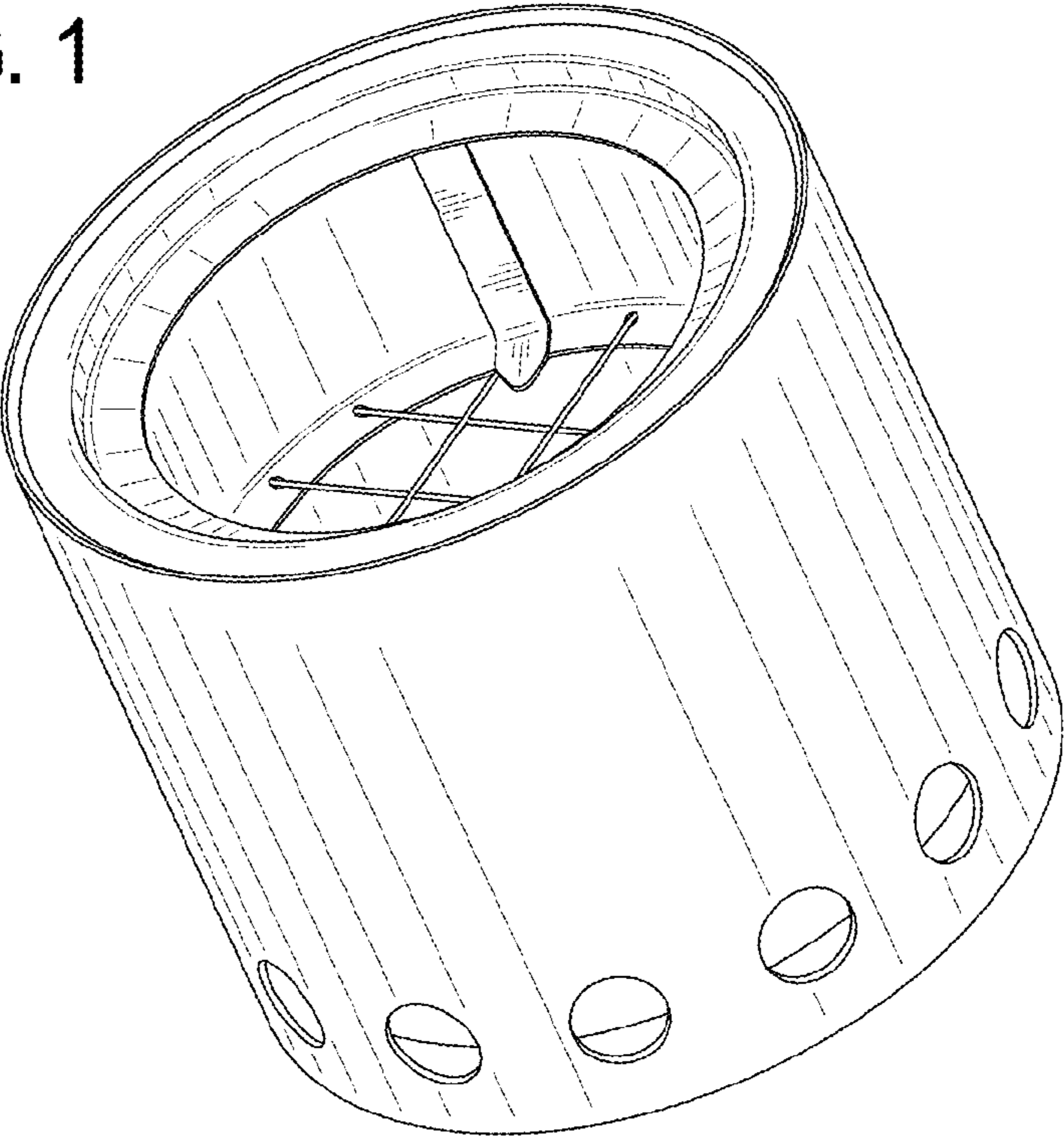


FIG. 2

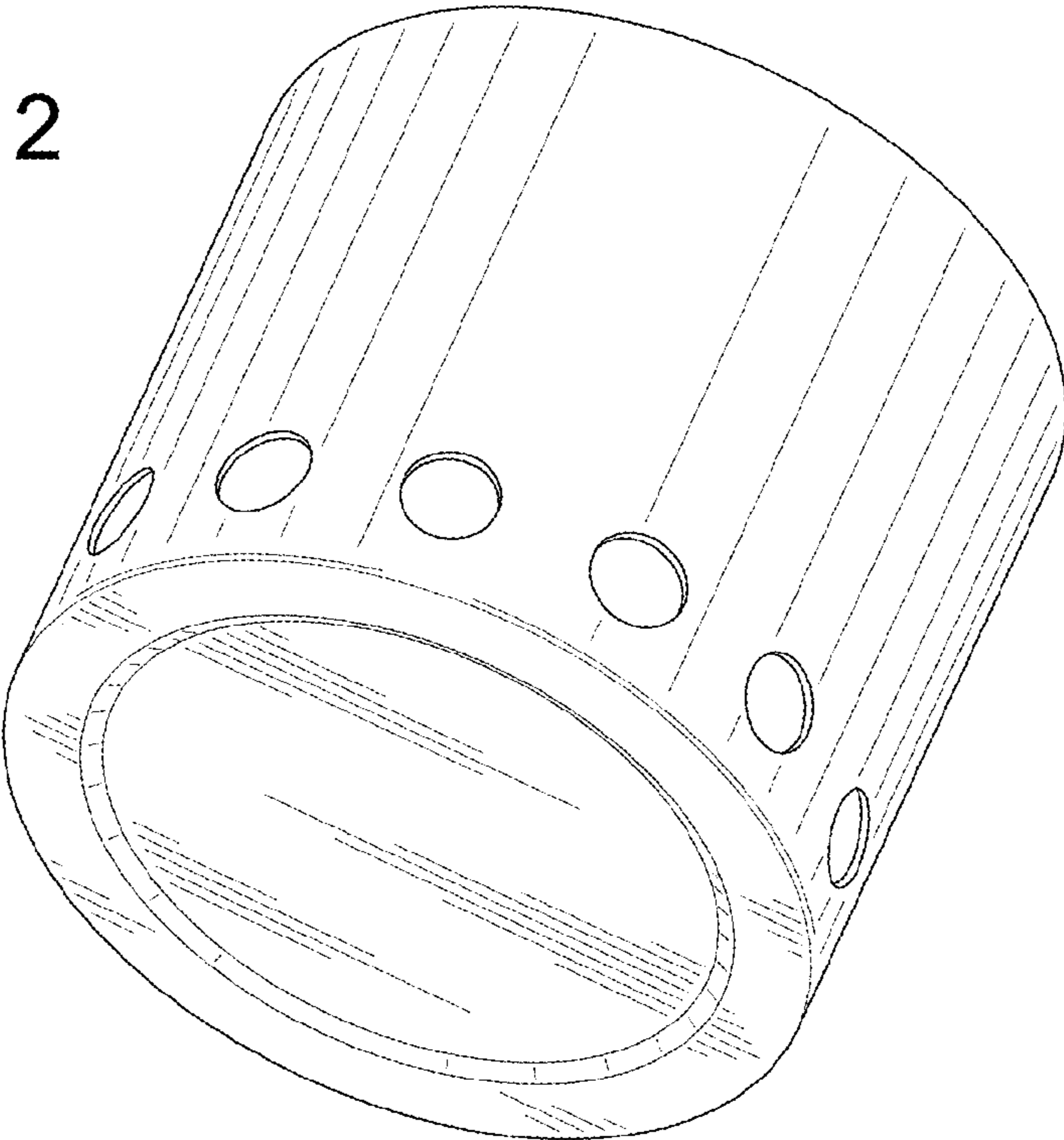


FIG. 3

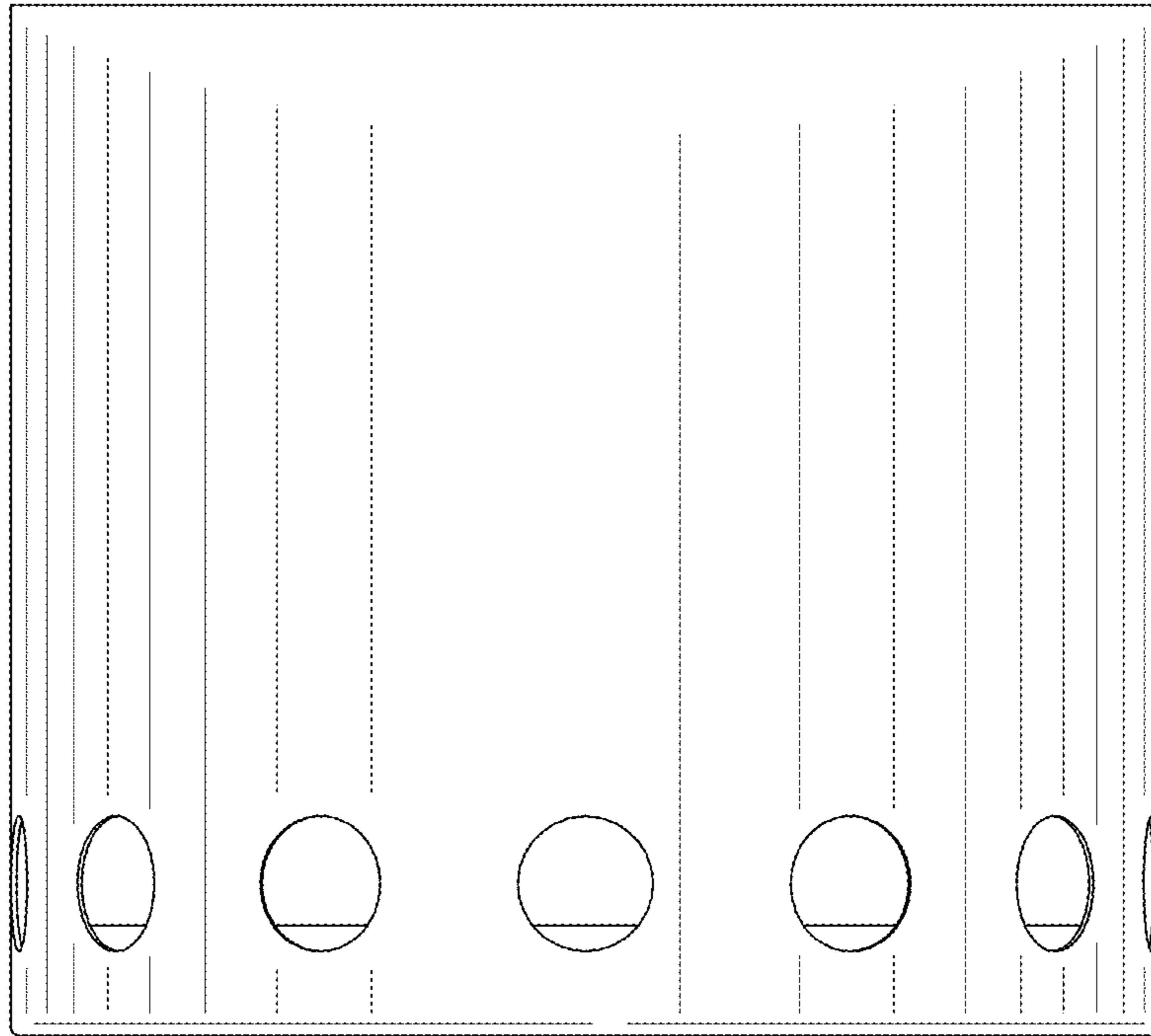


FIG. 4

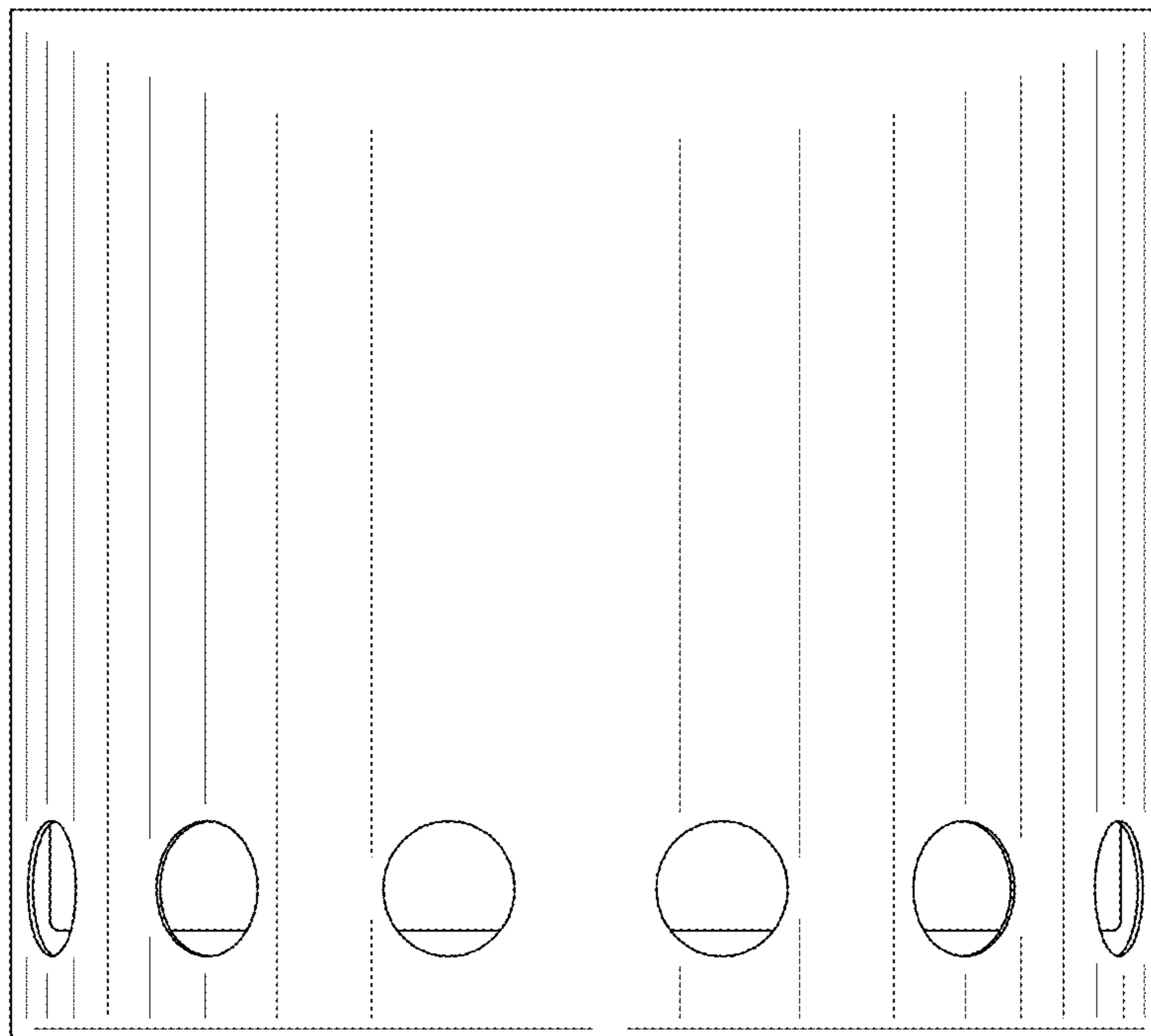


FIG. 5

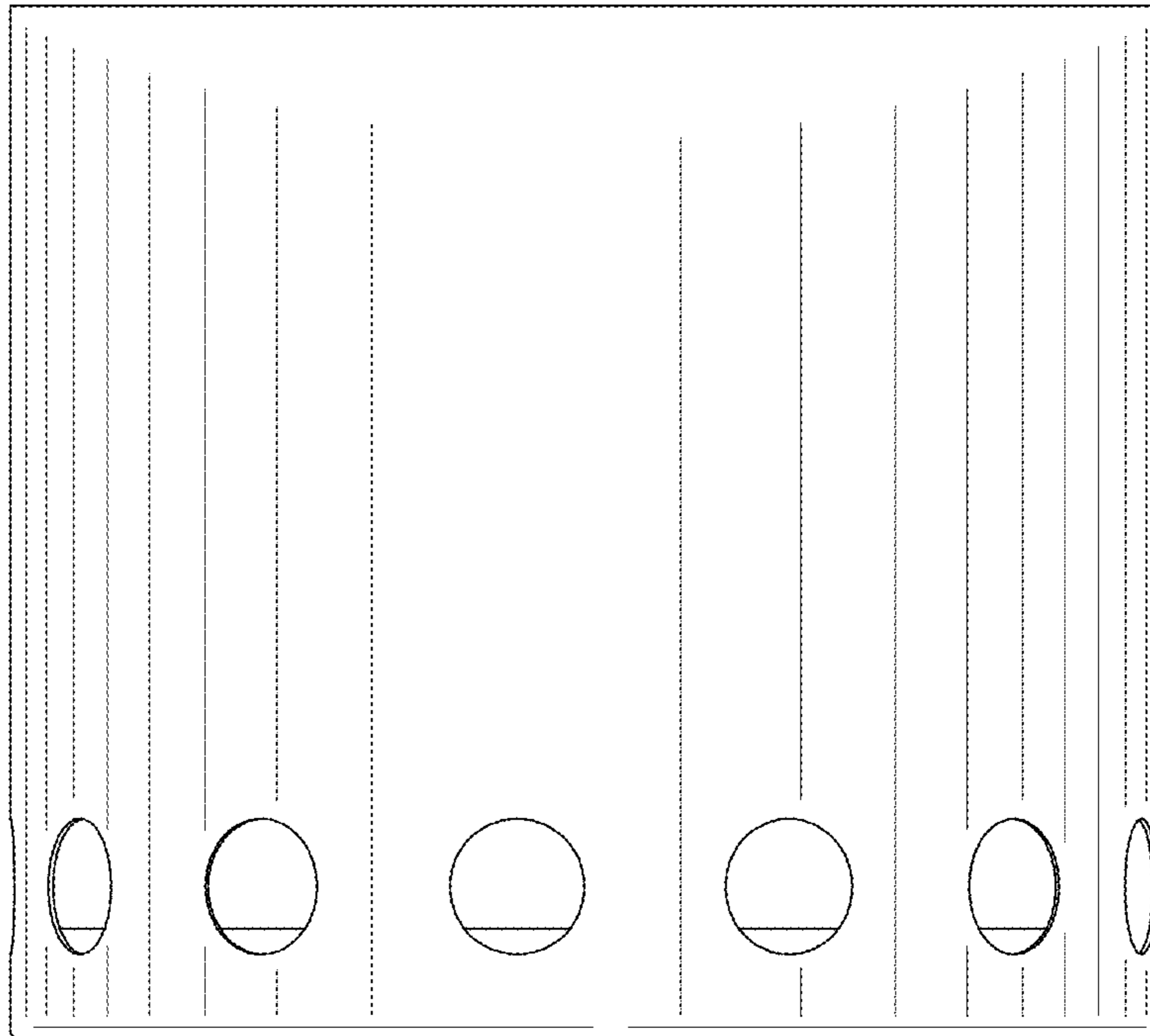


FIG. 6

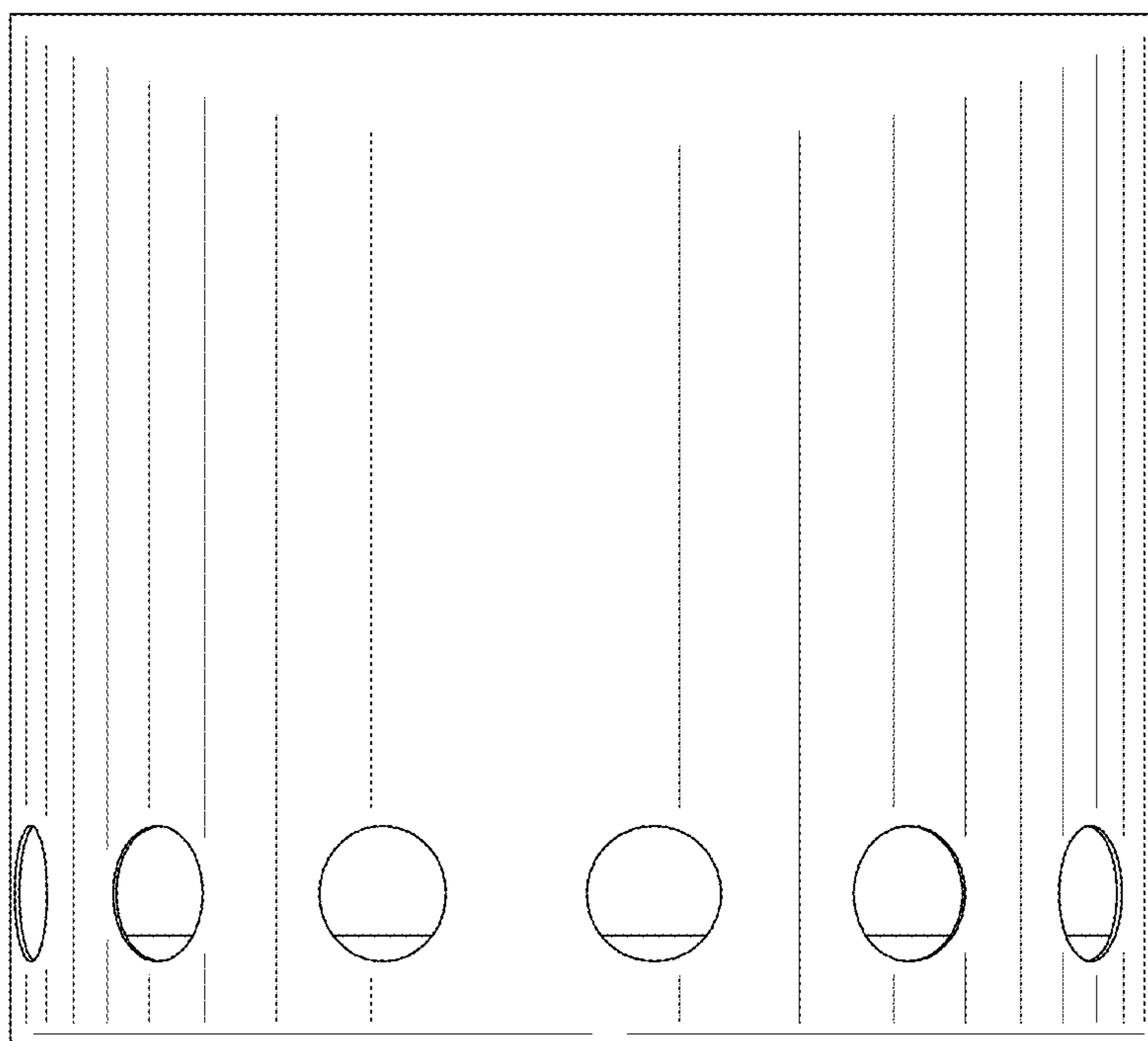


FIG. 7

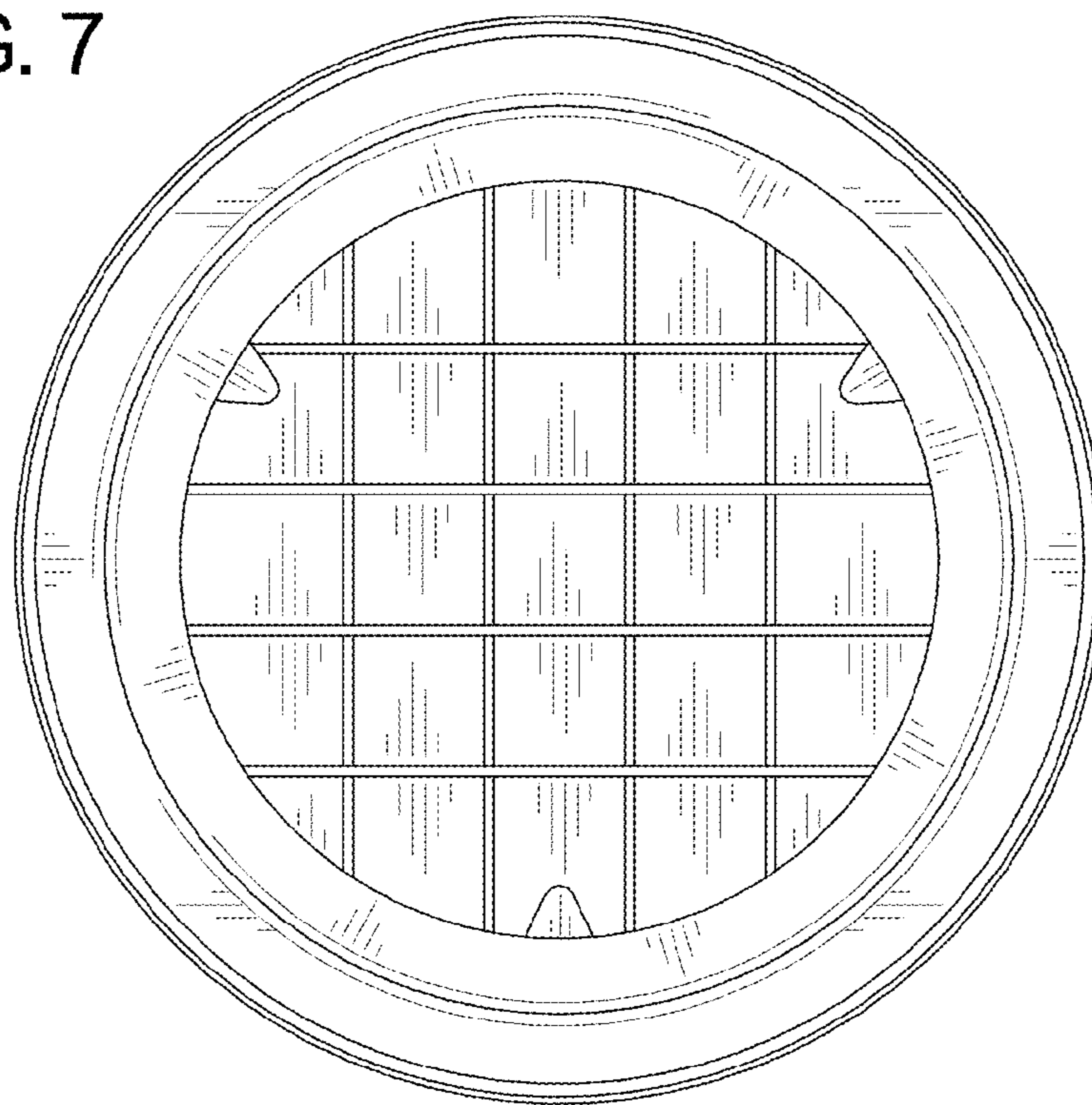


FIG. 8

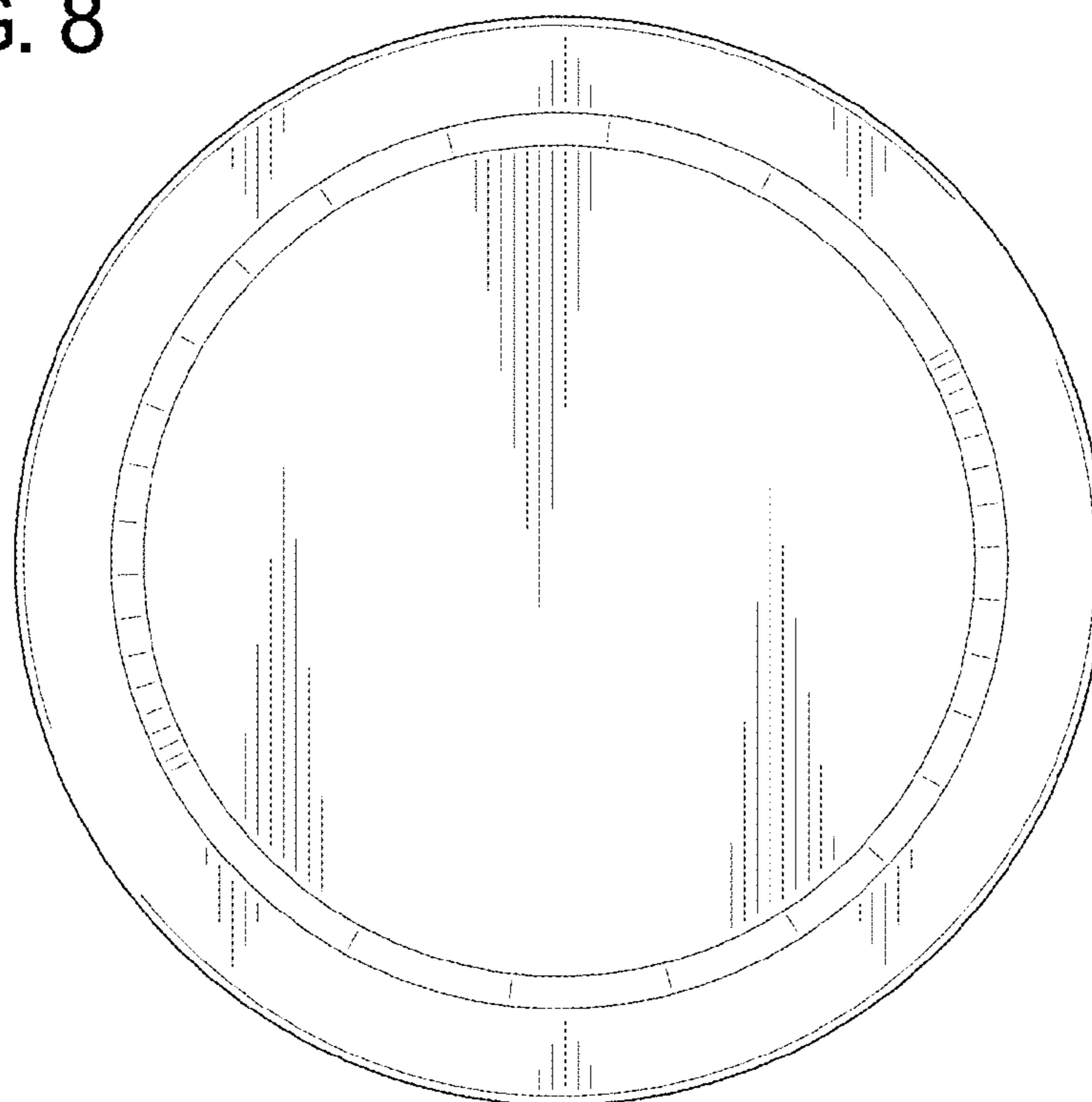


FIG. 9

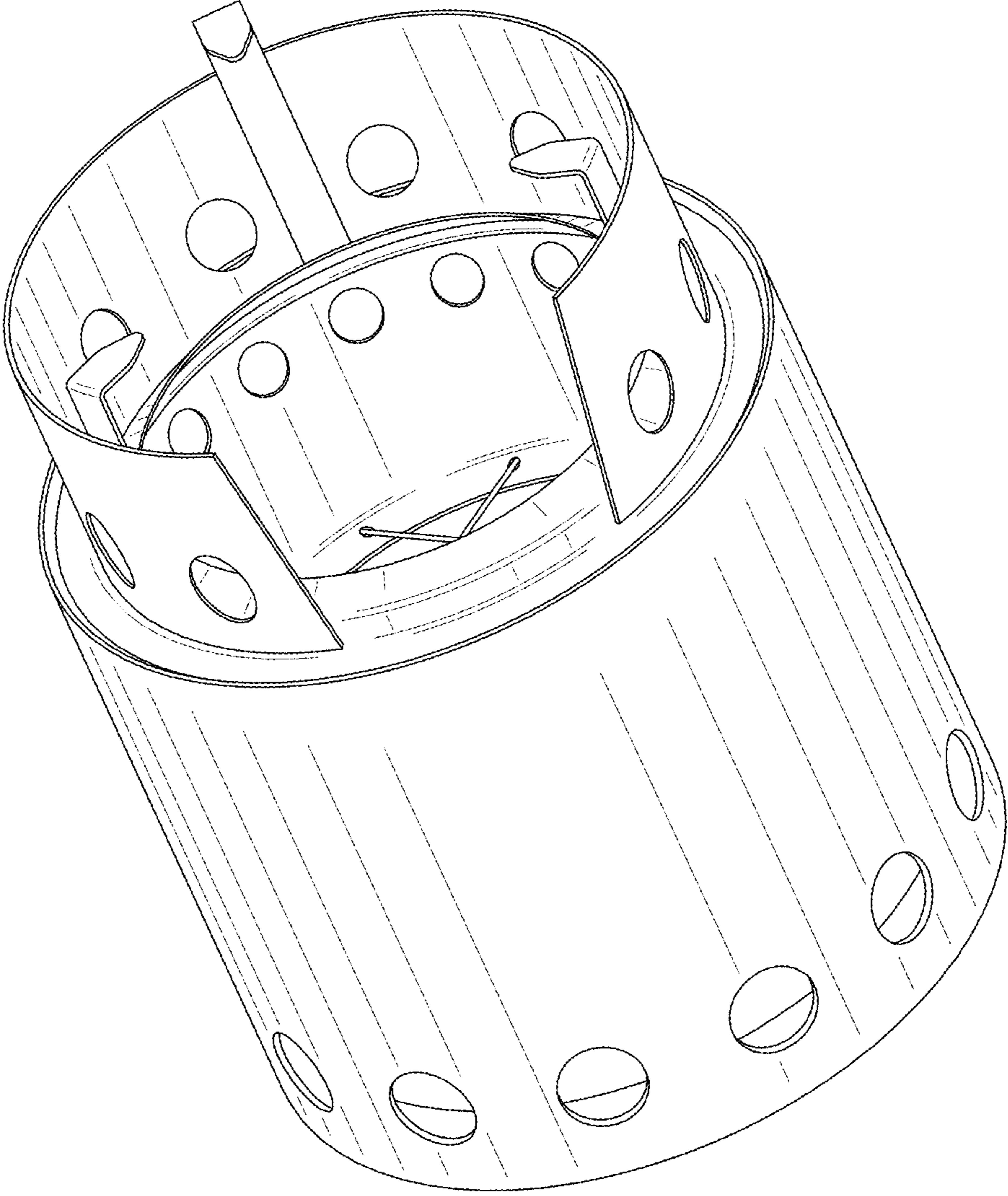


FIG. 10

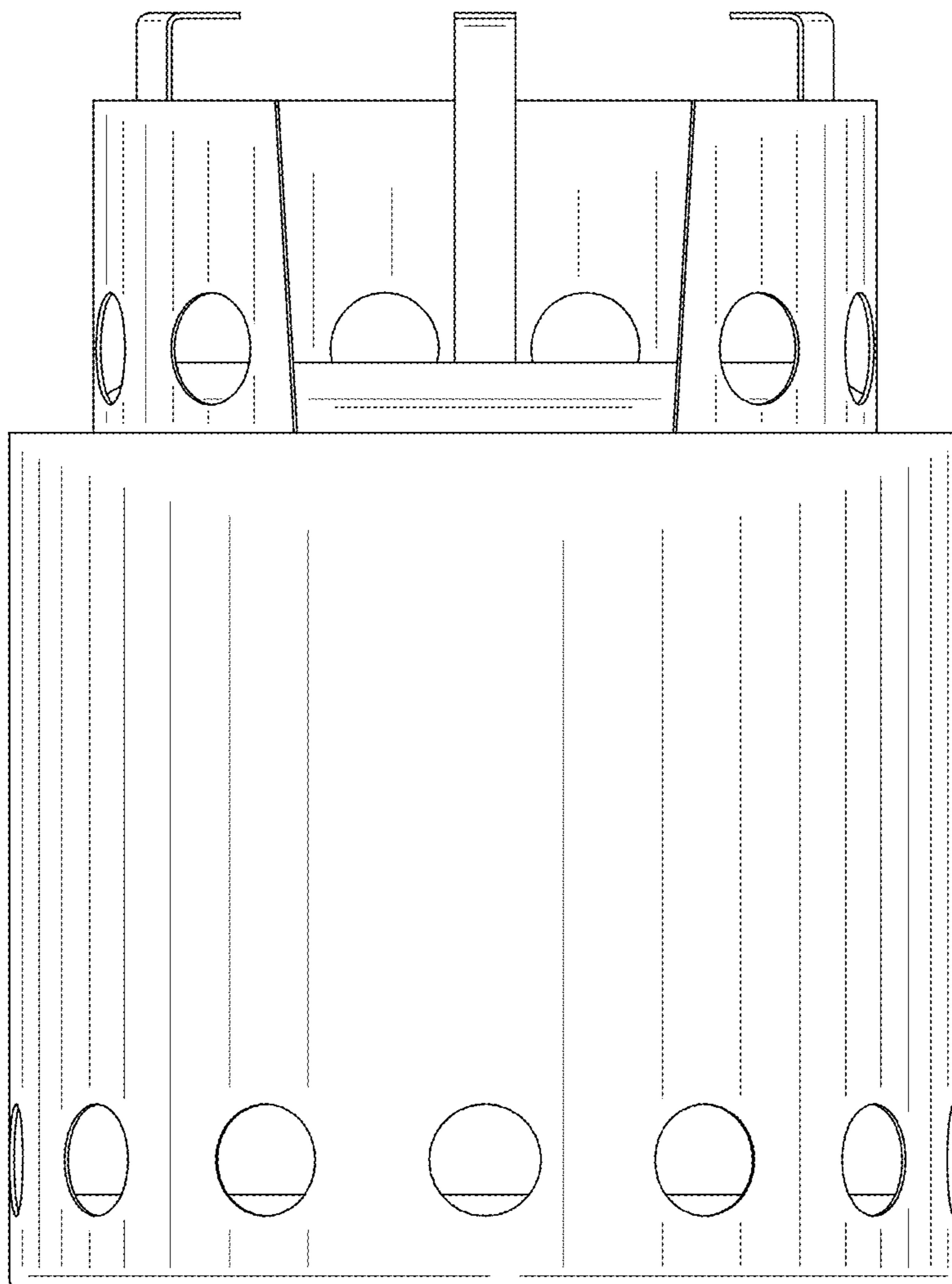


FIG. 11

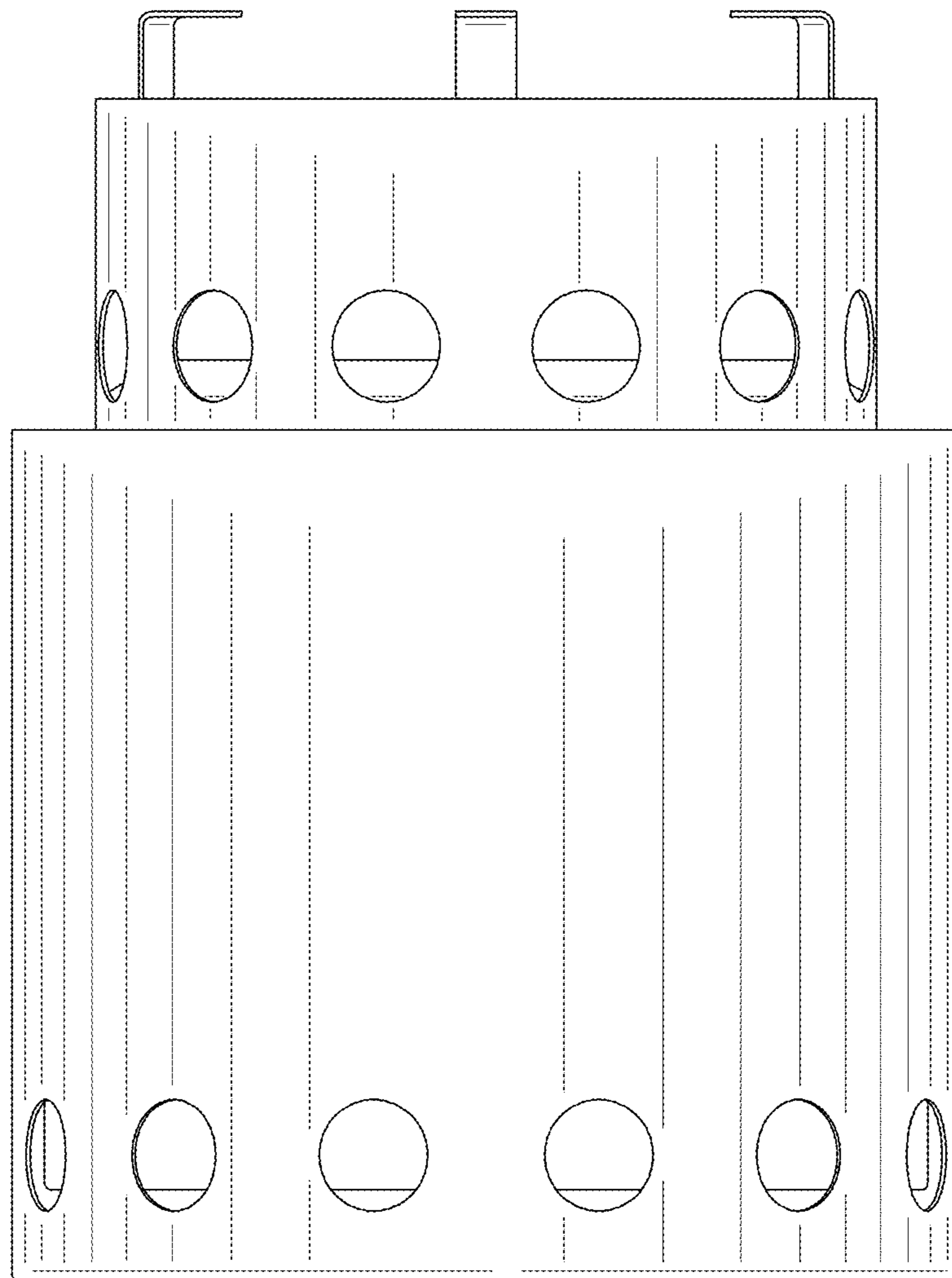




FIG. 12

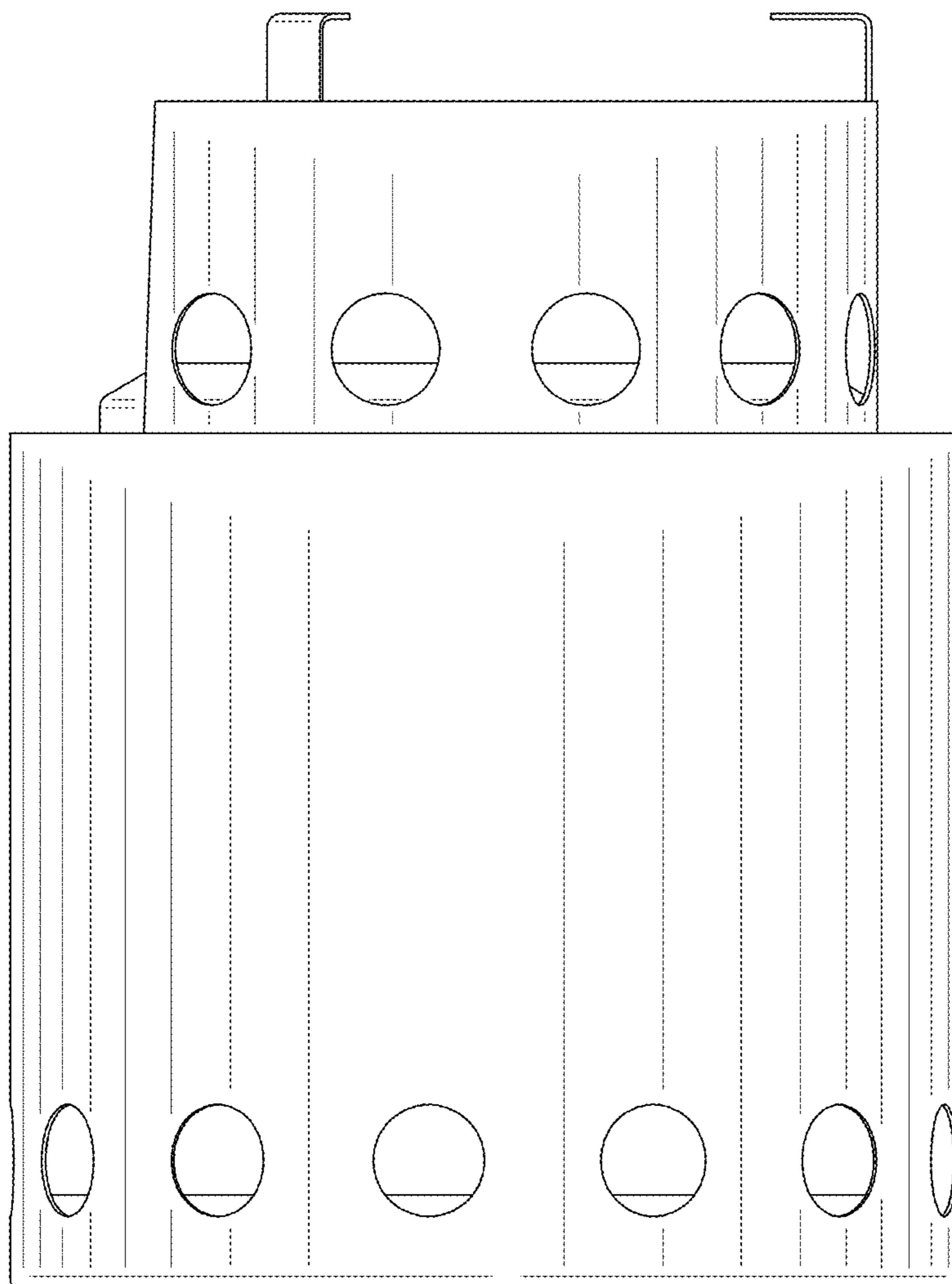


FIG. 13

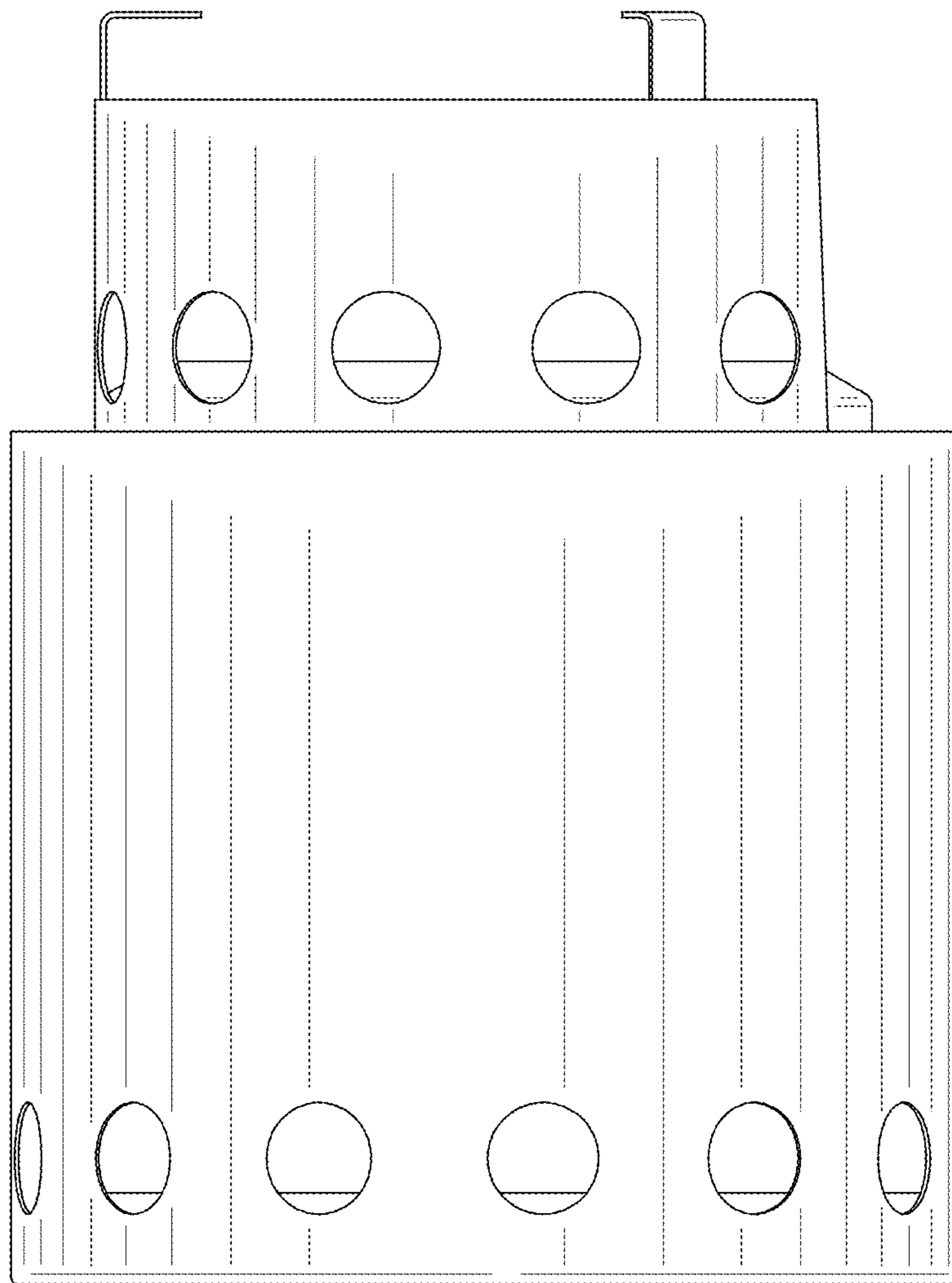


FIG. 14

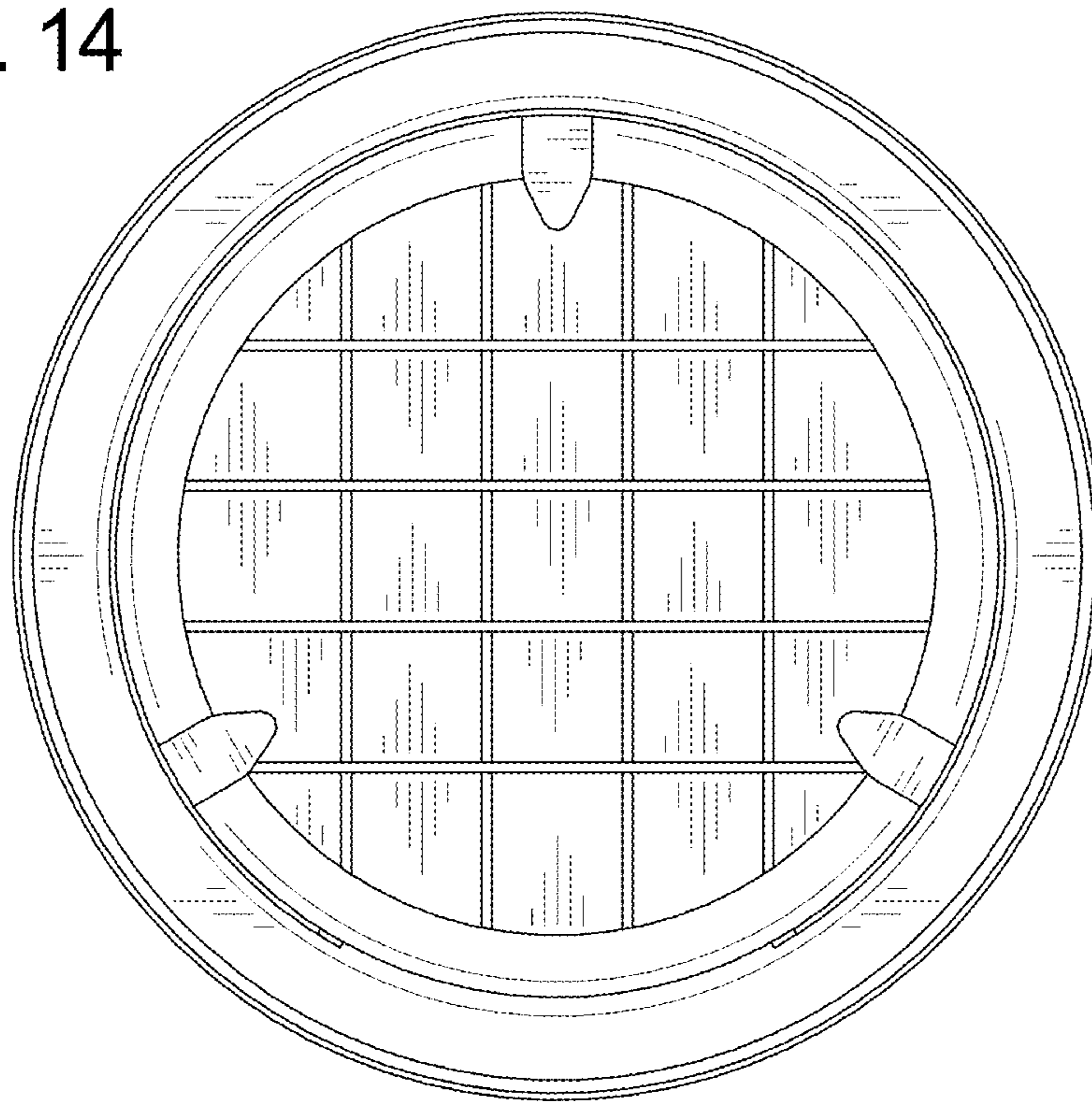


FIG. 15

