



US00D701720S

(12) **United States Design Patent**
Palermo et al.

(10) **Patent No.:** **US D701,720 S**

(45) **Date of Patent:** **** Apr. 1, 2014**

(54) **TOASTER**

(71) Applicant: **Sunbeam Products, Inc.**, Boca Raton,
FL (US)

(72) Inventors: **Joseph Palermo**, Boynton Beach, FL
(US); **Scott Henderson**, Brooklyn, NY
(US)

(73) Assignee: **Sunbeam Products, Inc.**, Boca Raton,
FL (US)

(**) Term: **14 Years**

(21) Appl. No.: **29/464,201**

(22) Filed: **Aug. 14, 2013**

(51) **LOC (10) Cl.** **07-02**

(52) **U.S. Cl.**
USPC **D7/330**

(58) **Field of Classification Search**
USPC D7/306, 323, 328-331, 337, 339,
D7/346-347, 350.1-350.4, 352-367, 391,
D7/393, 395, 402, 409, 538, 542, 674;
99/324-327, 329 P, 331-332, 337-349,
99/358, 369-376, 380-391, 400-418, 422,
99/425, 444-446, 483; 126/37 R, 261,
126/378.1; 219/385-388, 400, 405,
219/429-442, 450.1, 452.13, 620-624, 725,
219/730-735; 220/23.8, 315, 573.1-573.5,
220/912; 426/233, 438, 441, 523

See application file for complete search history.

(56) **References Cited**

U.S. PATENT DOCUMENTS

D338,368 S *	8/1993	Naft et al.	D7/330
D502,629 S *	3/2005	Guyett et al.	D7/330
D509,702 S *	9/2005	Picozza et al.	D7/330
D523,683 S *	6/2006	Guyett et al.	D7/330
D527,568 S *	9/2006	Page et al.	D7/330
D551,488 S *	9/2007	Ting et al.	D7/330
D569,166 S *	5/2008	Borin	D7/330
D593,358 S *	6/2009	Kim et al.	D7/330
D598,697 S *	8/2009	De Pra'	D7/330
D635,390 S *	4/2011	Duncan et al.	D7/330
D644,473 S *	9/2011	Pantaleo et al.	D7/330
D688,508 S *	8/2013	Garman	D7/330
D688,509 S *	8/2013	Carlson	D7/330

* cited by examiner

Primary Examiner — Ricky Pham

(74) *Attorney, Agent, or Firm* — Michael J. Corrigan

(57) **CLAIM**

The ornamental design for the toaster, as shown and described.

DESCRIPTION

FIG. 1 is a front perspective view of the toaster;
FIG. 2 is a front view thereof;
FIG. 3 is a rear view thereof;
FIG. 4 is a left side view thereof;
FIG. 5 is a right side view thereof;
FIG. 6 is a top view thereof; and,
FIG. 7 is a bottom view thereof.
The portion shown in dashed lines is shown for illustrative purposes only and forms no part of the claimed design.

1 Claim, 4 Drawing Sheets

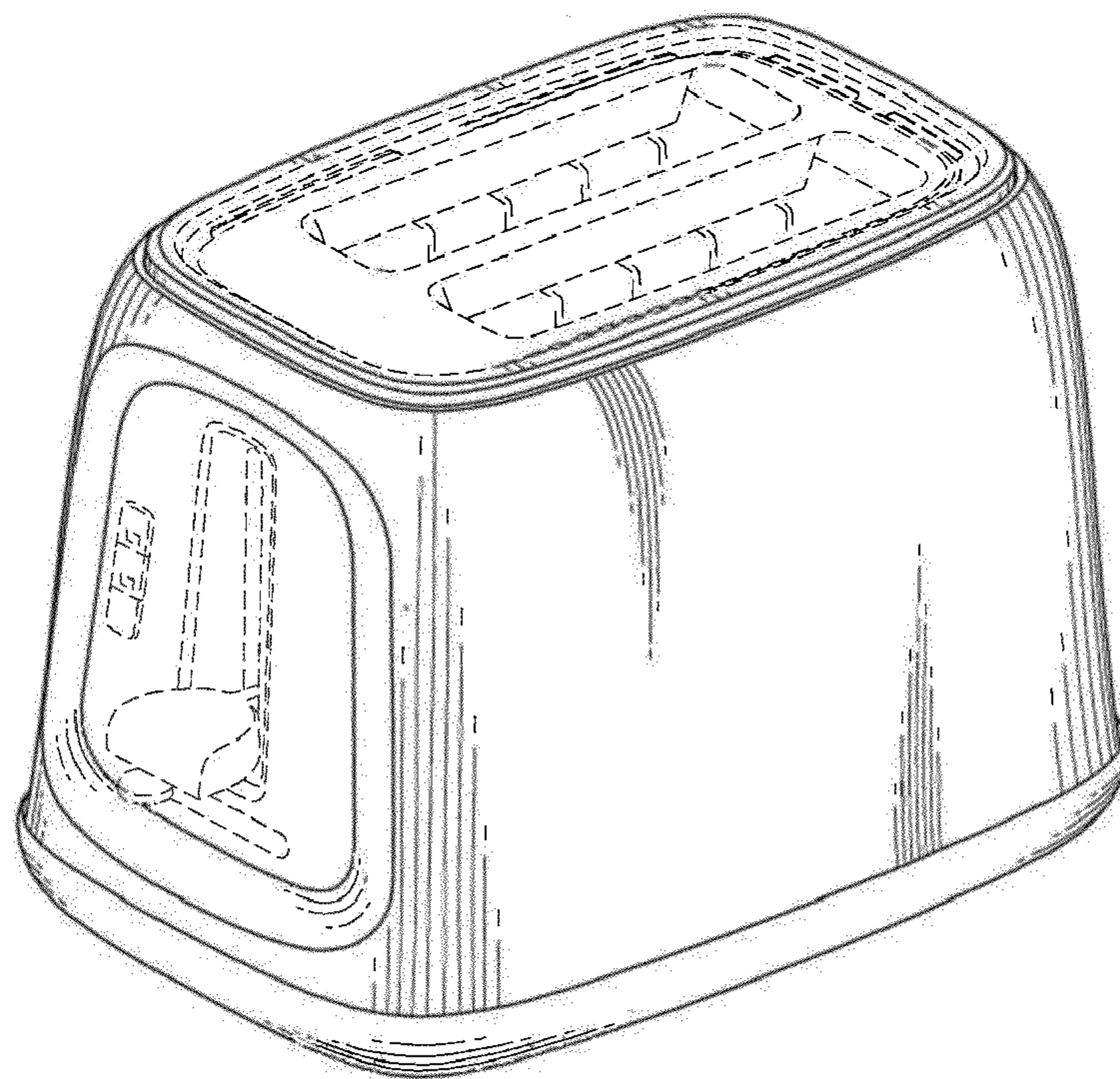


FIG. 1

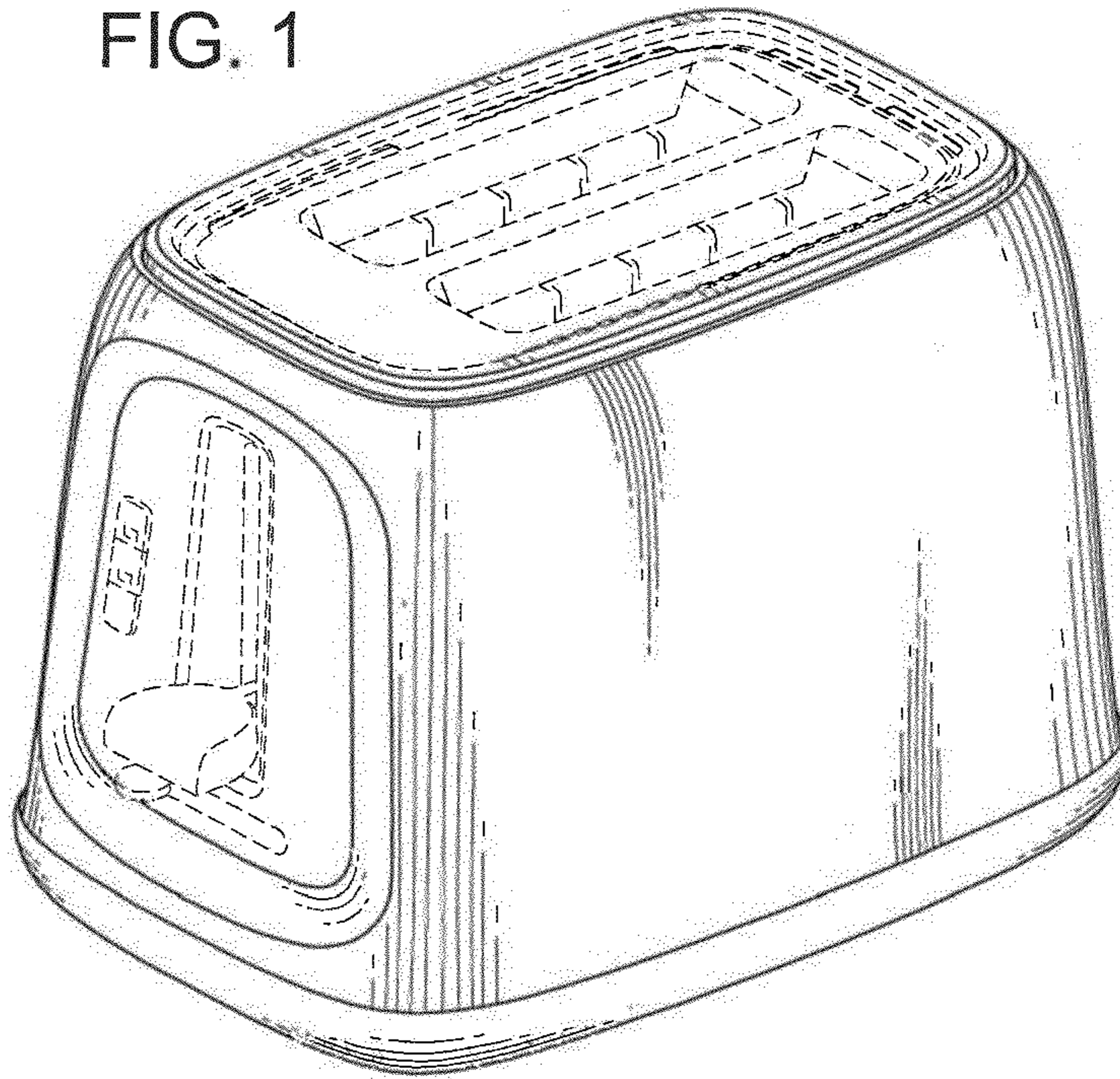


FIG. 2

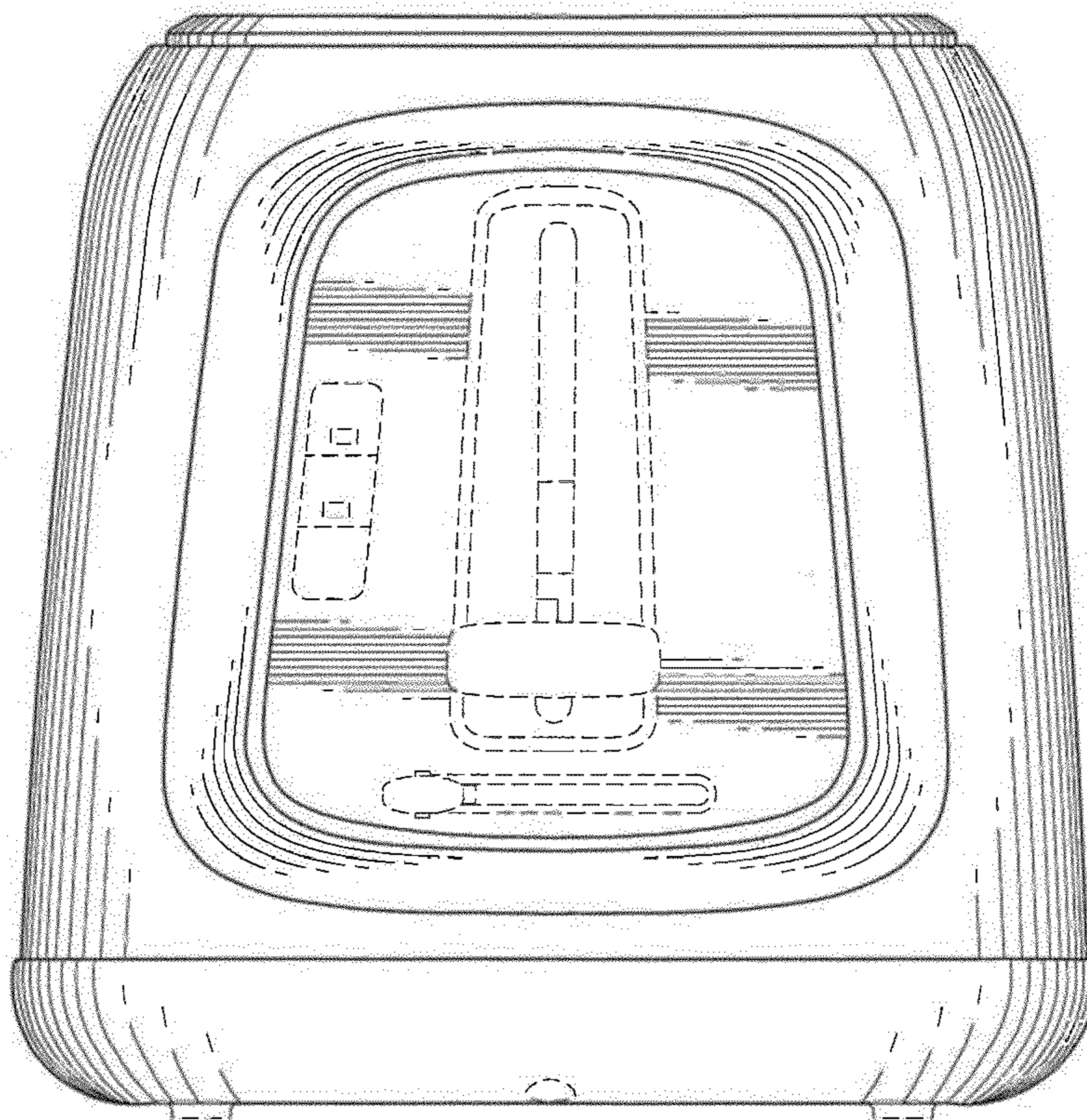


FIG. 3

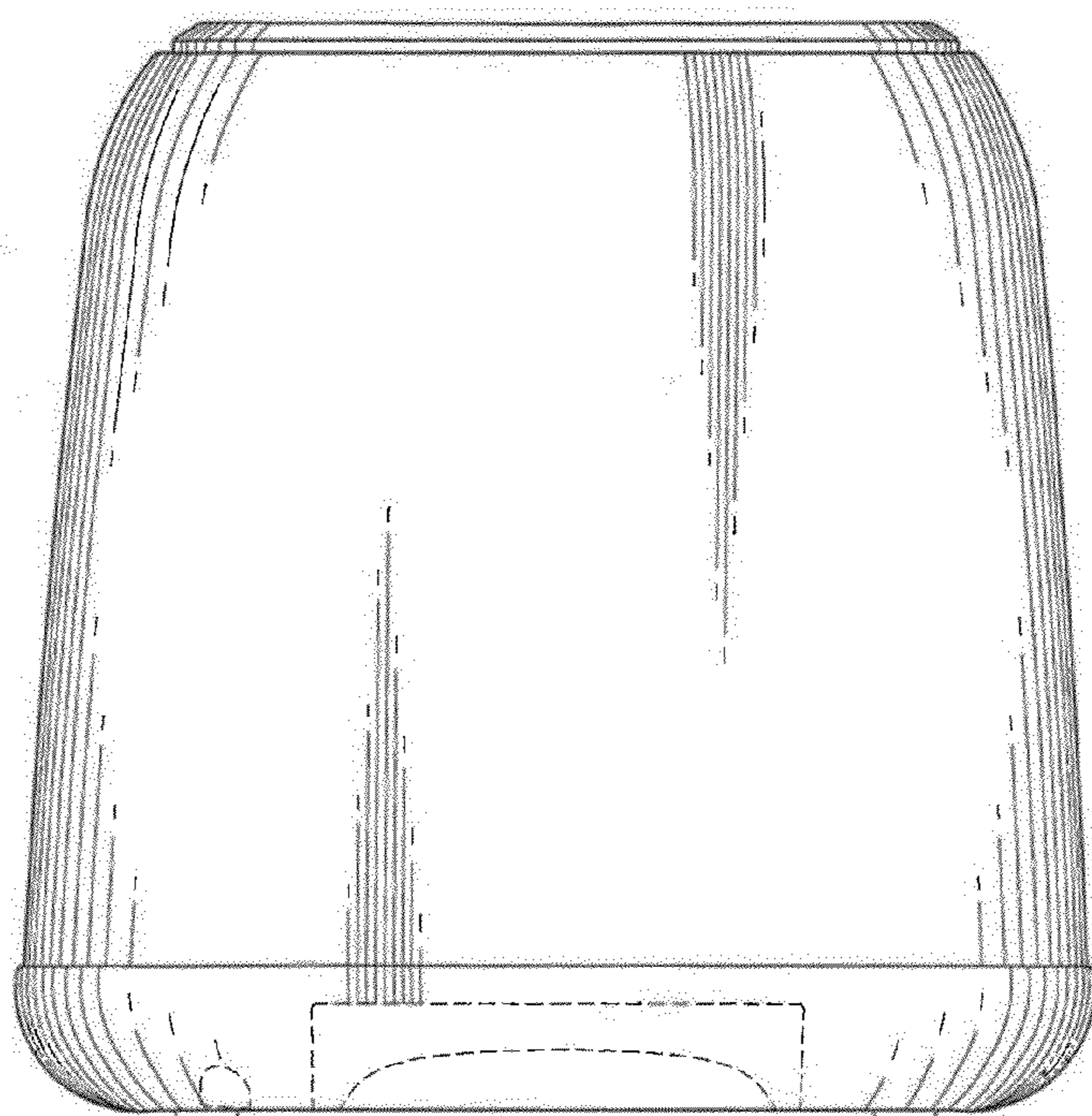


FIG. 4

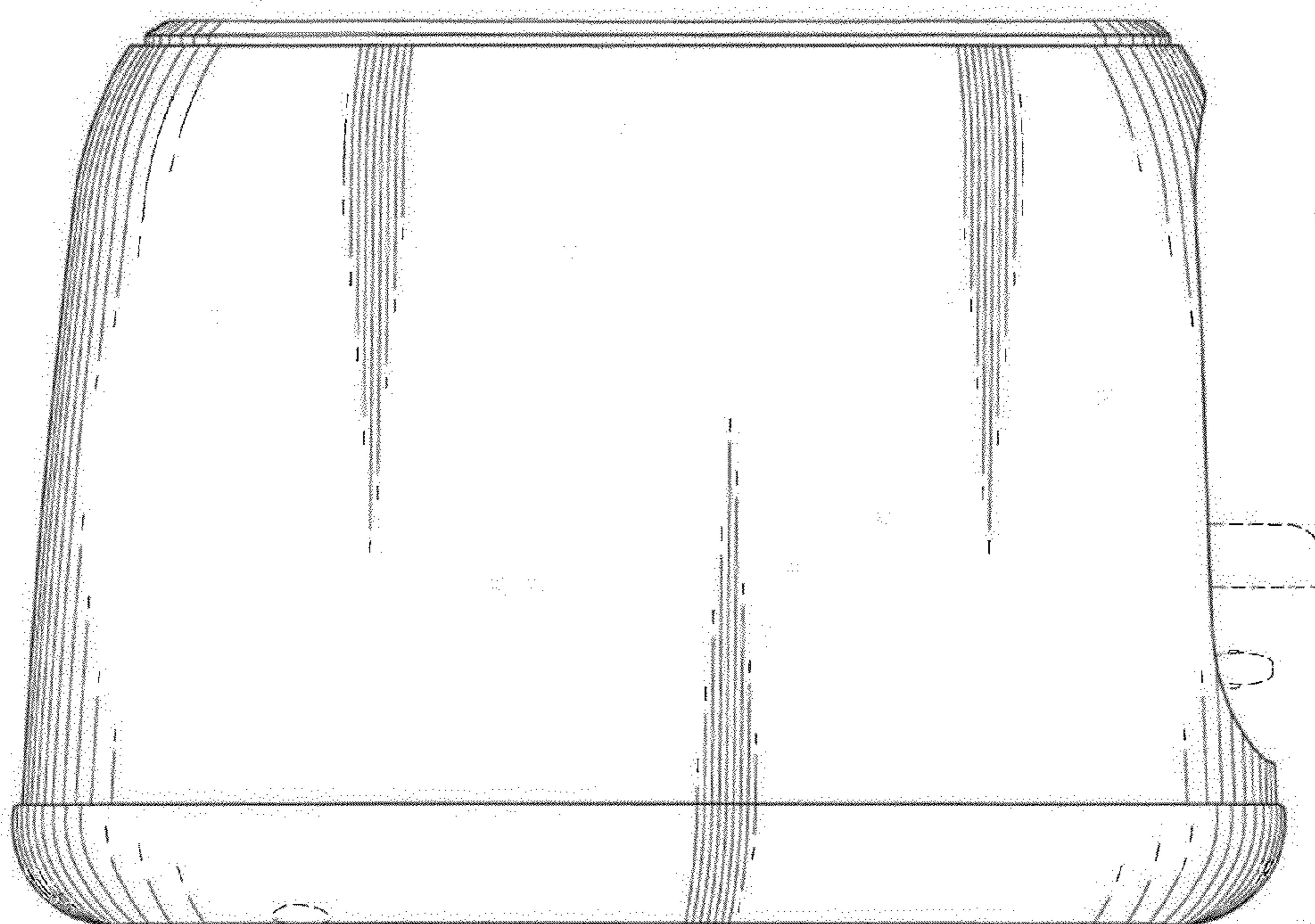


FIG. 5

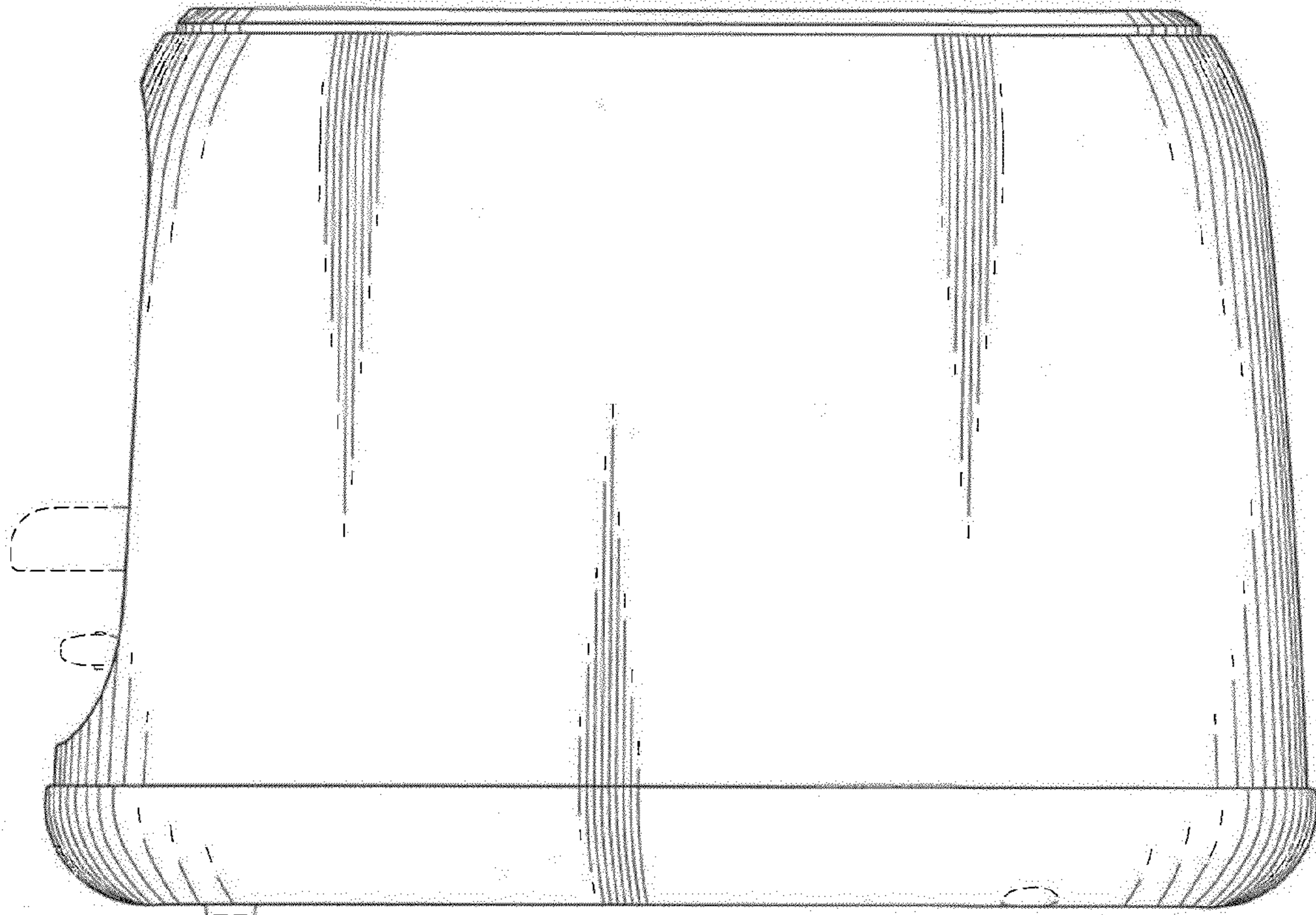


FIG. 6

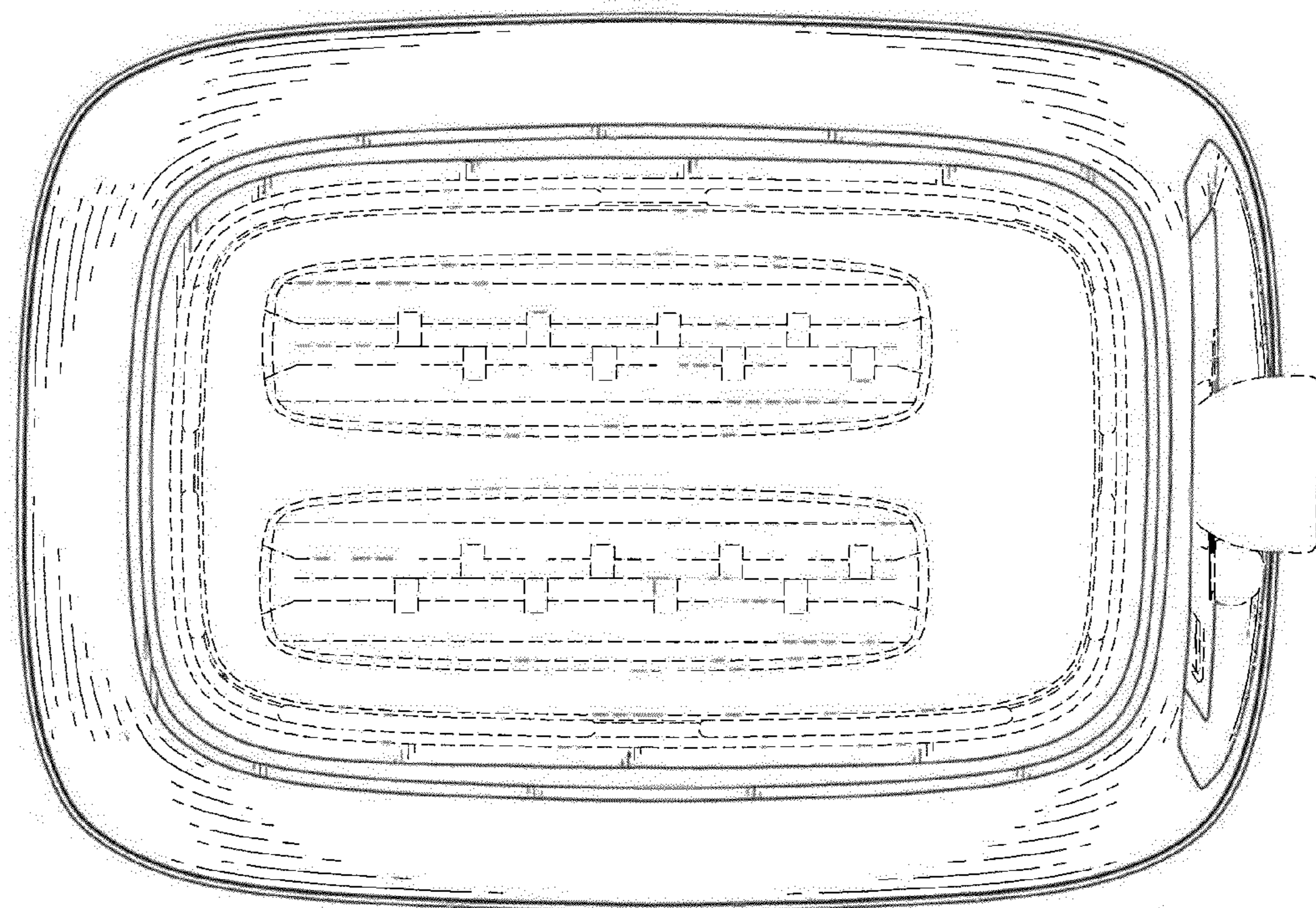


FIG. 7

