



US00D701719S

(12) **United States Design Patent**
Haase et al.

(10) **Patent No.:** **US D701,719 S**
(45) **Date of Patent:** **** Apr. 1, 2014**

- (54) **CHAIR WITH OTTOMAN**
- (71) Applicant: **Grand Rapids Chair Company**, Grand Rapids, MI (US)
- (72) Inventors: **Ryan E. Haase**, Grand Rapids, MI (US); **Joel T. Ruiter**, Grand Rapids, MI (US)
- (73) Assignee: **Grand Rapids Chair Company**, Grand Rapids, MI (US)
- (**) Term: **14 Years**
- (21) Appl. No.: **29/454,332**
- (22) Filed: **May 9, 2013**
- (51) **LOC (10) Cl.** **06-01**
- (52) **U.S. Cl.**
USPC **D6/719**
- (58) **Field of Classification Search**
USPC D6/334–338, 349, 355, 361, 368–370, D6/376, 379–381, 716, 716.1, 716.2, 340, D6/354; 297/16.1, 42, 94, 135, 175, 232, 297/233, 350, 351, 445.1, 448.1, 448.2, 297/451.9; 5/12.1, 12.2
See application file for complete search history.

- D492,131 S * 6/2004 Starck D6/375
- D531,420 S 11/2006 Kita
- D559,570 S 1/2008 Higgs et al.
- D644,849 S 9/2011 Sienkowski et al.
- D646,087 S 10/2011 Miller et al.
- D648,566 S 11/2011 Sienkowski et al.
- D659,424 S 5/2012 Gramza et al.
- D663,131 S 7/2012 Barefoot et al.
- D672,975 S 12/2012 Rashid

* cited by examiner

Primary Examiner — Sandra Snapp

(74) *Attorney, Agent, or Firm* — Gardner, Linn, Burkhardt & Flory, LLP

(57) **CLAIM**

The ornamental design for a chair with ottoman, as shown and described.

DESCRIPTION

FIG. 1 is a perspective view of a chair with ottoman, according to a first embodiment of the present invention;
 FIG. 2 is a front elevation view of the chair of FIG. 1;
 FIG. 3 is a front elevation view of the ottoman of FIG. 1;
 FIG. 4 is a left side elevation view of the chair with ottoman of FIG. 1;
 FIG. 5 is a rear elevation view of the chair of FIG. 1;
 FIG. 6 is a rear elevation view of the ottoman of FIG. 1;
 FIG. 7 is a right side elevation view of the ottoman of FIG. 1;
 FIG. 8 is a top plan view of the chair with ottoman of FIG. 1;
 FIG. 9 is a bottom plan view of the chair with ottoman of FIG. 1;
 FIG. 10 is a perspective view of the chair of FIG. 1;
 FIG. 11 is a front elevation view of the chair of FIG. 10;
 FIG. 12 is a left side elevation view of the chair of FIG. 10;
 FIG. 13 is a rear elevation view of the chair of FIG. 10;
 FIG. 14 is a right side elevation view of the chair of FIG. 10;
 FIG. 15 is a top plan view of the chair of FIG. 10;
 FIG. 16 is a bottom plan view of the chair of FIG. 10;
 FIG. 17 is a perspective view of the ottoman of FIG. 1;
 FIG. 18 is a front elevation view of the ottoman of FIG. 17, the rear elevation view being identical thereto;
 FIG. 19 is a right side elevation view of the ottoman of FIG. 17, the left side elevation view being a mirror image thereof;

(56) **References Cited**

U.S. PATENT DOCUMENTS

- D193,657 S 9/1962 Van Buren, Jr.
- D213,438 S * 3/1969 Koch D6/374
- D223,244 S 4/1972 Prashker
- D239,988 S 5/1976 Dittert
- D240,780 S 8/1976 Dittert
- D279,947 S * 8/1985 Ballarini D6/501
- D280,054 S * 8/1985 Pedersen D6/375
- D281,941 S * 12/1985 Ambasz et al. D6/502
- D284,144 S * 6/1986 Pedersen D6/374
- D344,200 S * 2/1994 Schwartz D6/500
- D353,497 S * 12/1994 Bergkvist et al. D6/356
- D371,249 S * 7/1996 Bowers D6/356
- D372,132 S 7/1996 Infanti
- D390,026 S * 2/1998 Biecher D6/375
- D455,021 S * 4/2002 Kita D6/375
- D463,149 S * 9/2002 Levy D6/375
- D469,970 S * 2/2003 Molteni D6/374

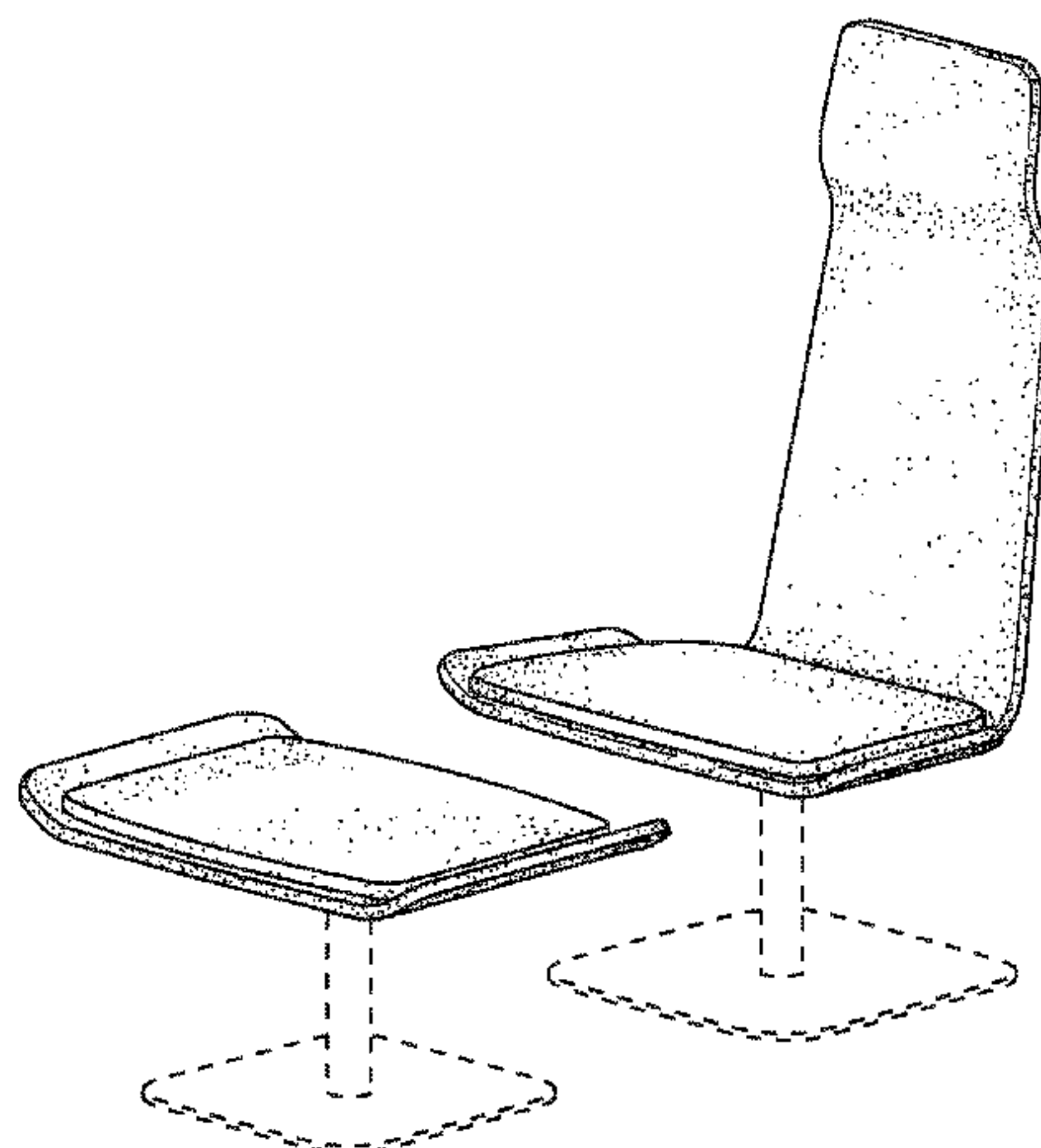


FIG. 20 is a top plan view of the ottoman of FIG. 17;
FIG. 21 is a bottom plan view of the ottoman of FIG. 17;
FIG. 22 is a perspective view of a chair with ottoman, according to a second embodiment of the present invention;
FIG. 23 is a front elevation view of the chair of FIG. 22;
FIG. 24 is a front elevation view of the ottoman of FIG. 22;
FIG. 25 is a left side elevation view of the chair with ottoman of FIG. 22;
FIG. 26 is a rear elevation view of the chair of FIG. 22;
FIG. 27 is a rear elevation view of the ottoman of FIG. 22;
FIG. 28 is a right side elevation view of the ottoman of FIG. 22;
FIG. 29 is a top plan view of the chair with ottoman of FIG. 22;
FIG. 30 is a bottom plan view of the chair with ottoman of FIG. 22;
FIG. 31 is a perspective view of the chair of FIG. 22;
FIG. 32 is a front elevation view of the chair of FIG. 31;
FIG. 33 is a left side elevation view of the chair of FIG. 31;
FIG. 34 is a rear elevation view of the chair of FIG. 31;
FIG. 35 is a right side elevation view of the chair of FIG. 31;
FIG. 36 is a top plan view of the chair of FIG. 31;
FIG. 37 is a bottom plan view of the chair of FIG. 31;
FIG. 38 is a perspective view of the ottoman of FIG. 22;
FIG. 39 is a front elevation view of the ottoman of FIG. 38, the rear elevation view being identical thereto;
FIG. 40 is a right side elevation view of the ottoman of FIG. 38, the left side elevation view being a mirror image thereof;
FIG. 41 is a top plan view of the ottoman of FIG. 38;
FIG. 42 is a bottom plan view of the ottoman of FIG. 38;

FIG. 43 is a perspective view of a chair with ottoman, according to a third embodiment of the present invention;
FIG. 44 is a front elevation view of the chair of FIG. 43;
FIG. 45 is a front elevation view of the ottoman of FIG. 43;
FIG. 46 is a left side elevation view of the chair with ottoman of FIG. 43;
FIG. 47 is a rear elevation view of the chair of FIG. 43;
FIG. 48 is a rear elevation view of the ottoman of FIG. 43;
FIG. 49 is a right side elevation view of the ottoman of FIG. 43;
FIG. 50 is a top plan view of the chair with ottoman of FIG. 43;
FIG. 51 is a bottom plan view of the chair with ottoman of FIG. 43;
FIG. 52 is a perspective view of the chair of FIG. 43;
FIG. 53 is a front elevation view of the chair of FIG. 52;
FIG. 54 is a left side elevation view of the chair of FIG. 52;
FIG. 55 is a rear elevation view of the chair of FIG. 52;
FIG. 56 is a right side elevation view of the chair of FIG. 52;
FIG. 57 is a top plan view of the chair of FIG. 52;
FIG. 58 is a bottom plan view of the chair of FIG. 52;
FIG. 59 is a perspective view of the ottoman of FIG. 43;
FIG. 60 is a front elevation view of the ottoman of FIG. 59, the rear elevation view being identical thereto;
FIG. 61 is a right side elevation view of the ottoman of FIG. 59, the left side elevation view being a mirror image thereof;
FIG. 62 is a top plan view of the ottoman of FIG. 59; and
FIG. 63 is a bottom plan view of the ottoman of FIG. 59.
The broken lines in the drawings form no part of the design to be patented.

1 Claim, 39 Drawing Sheets

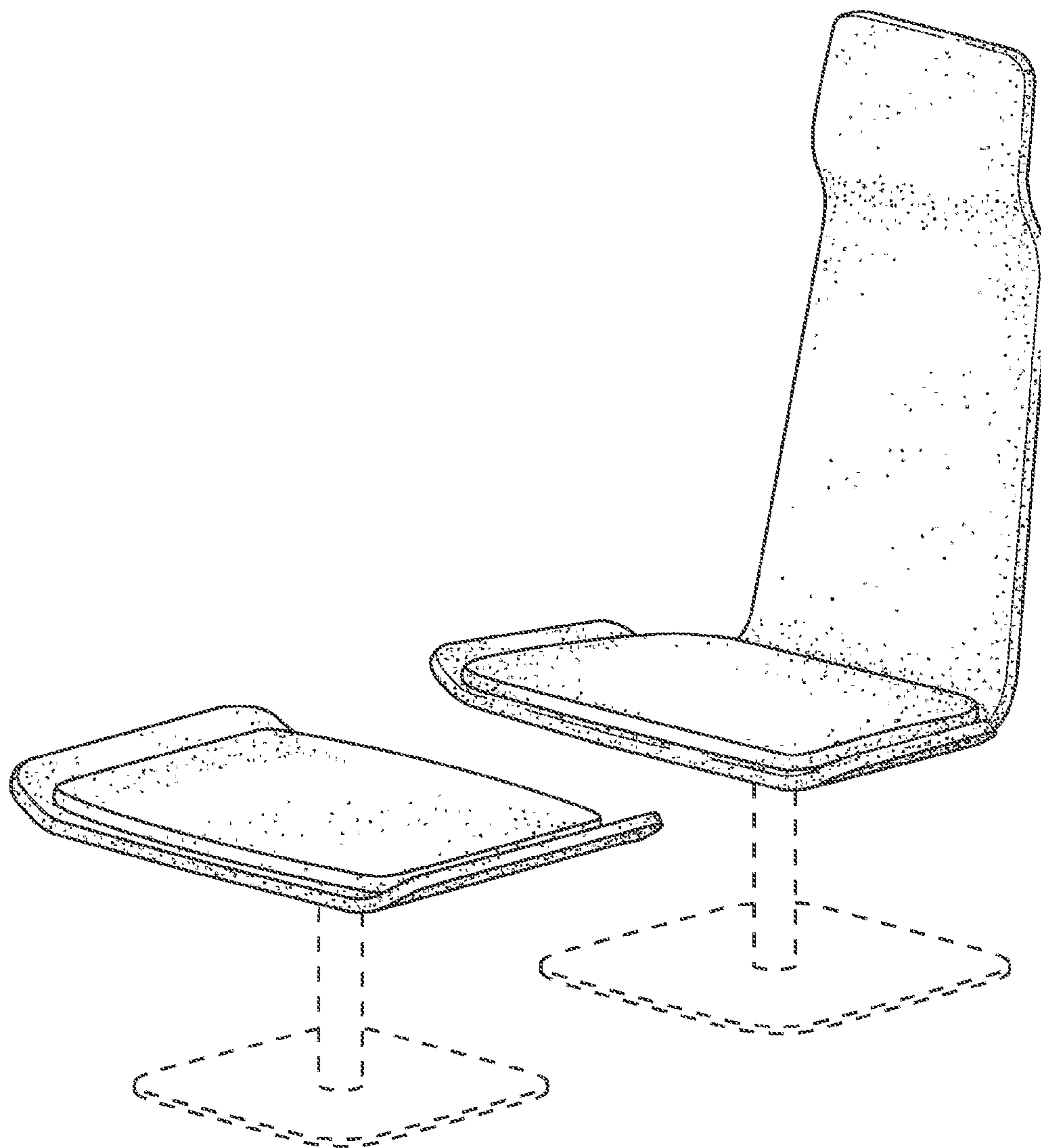


Fig. 1

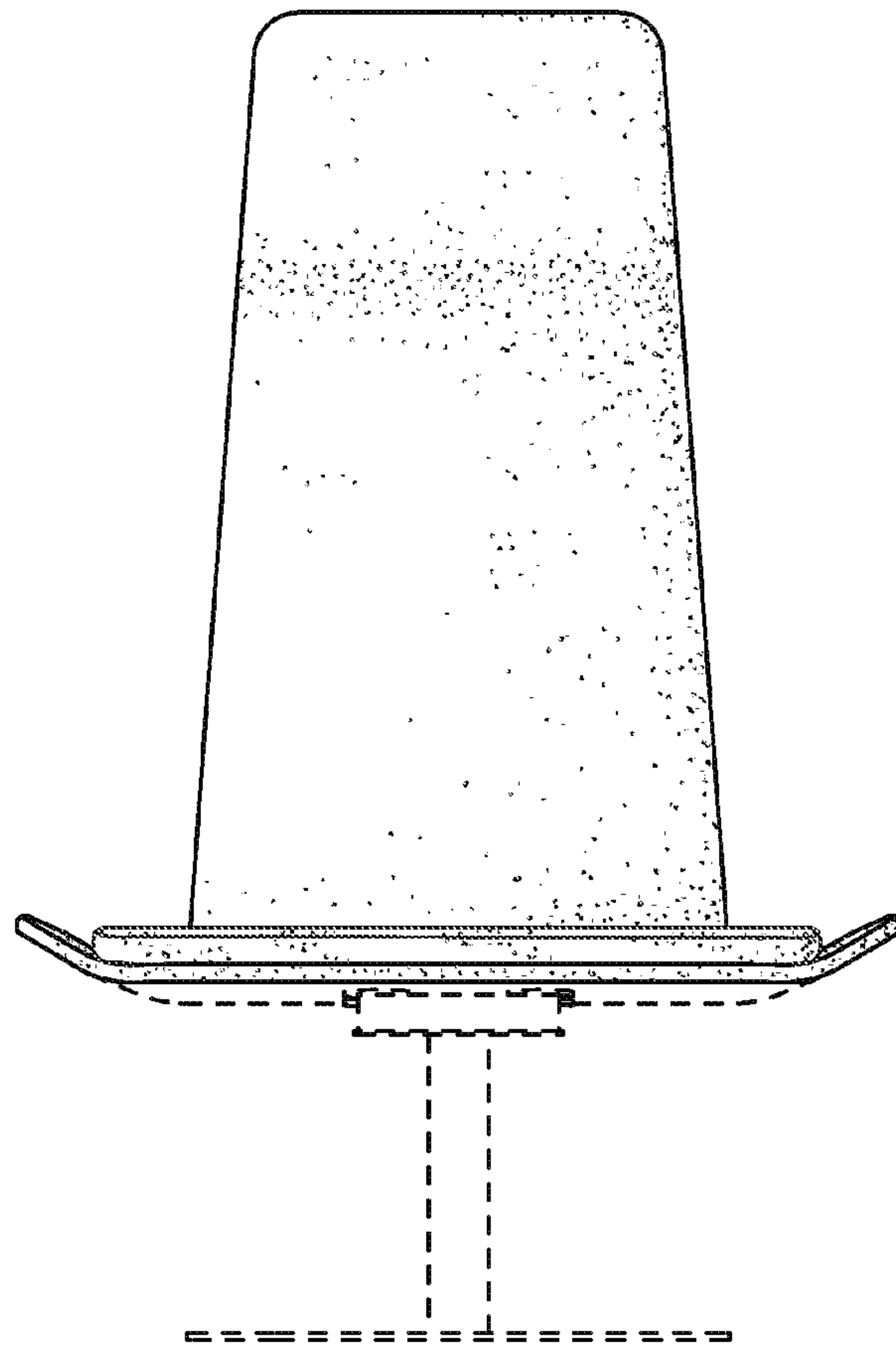


Fig. 2

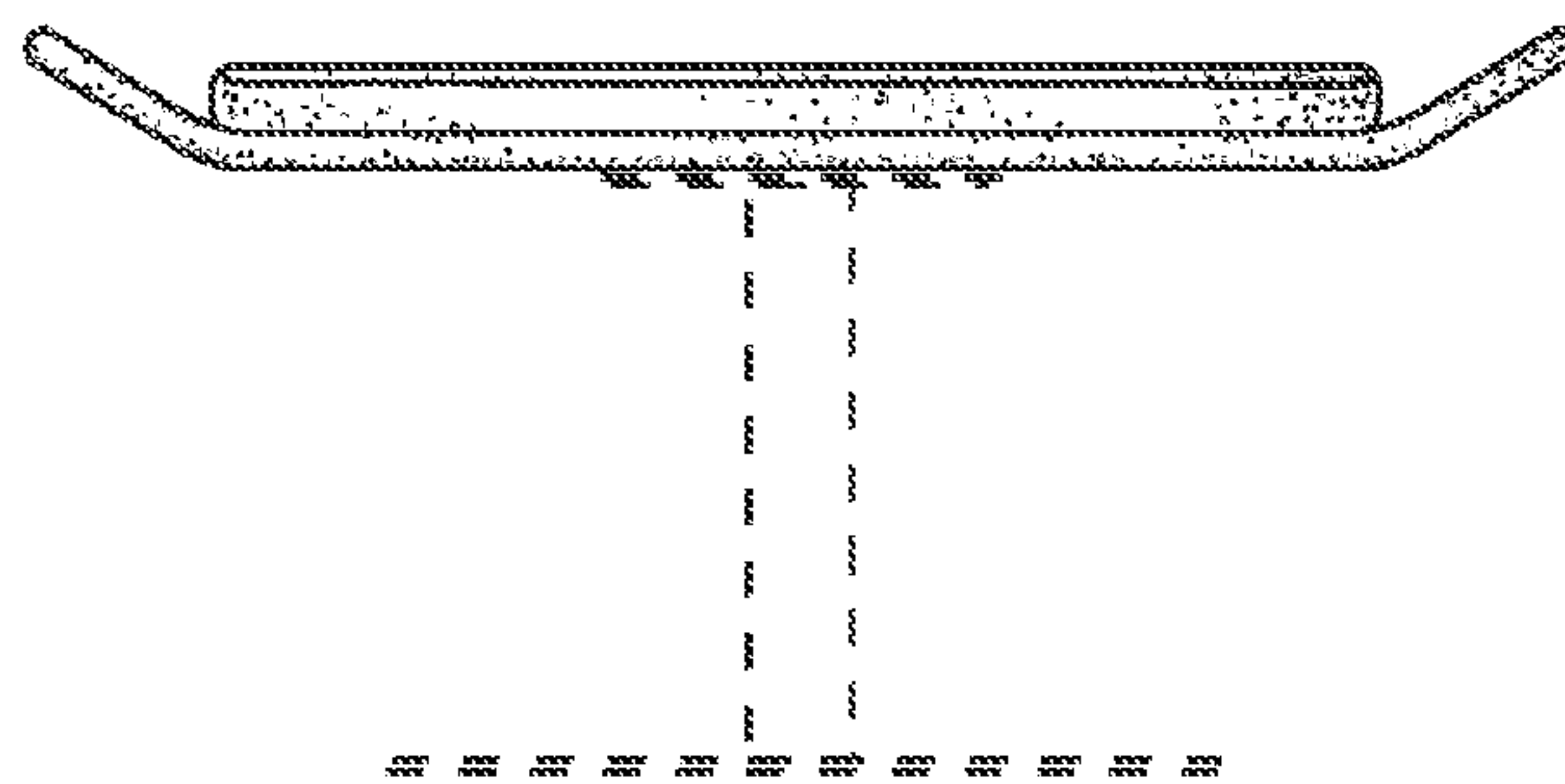


Fig. 3

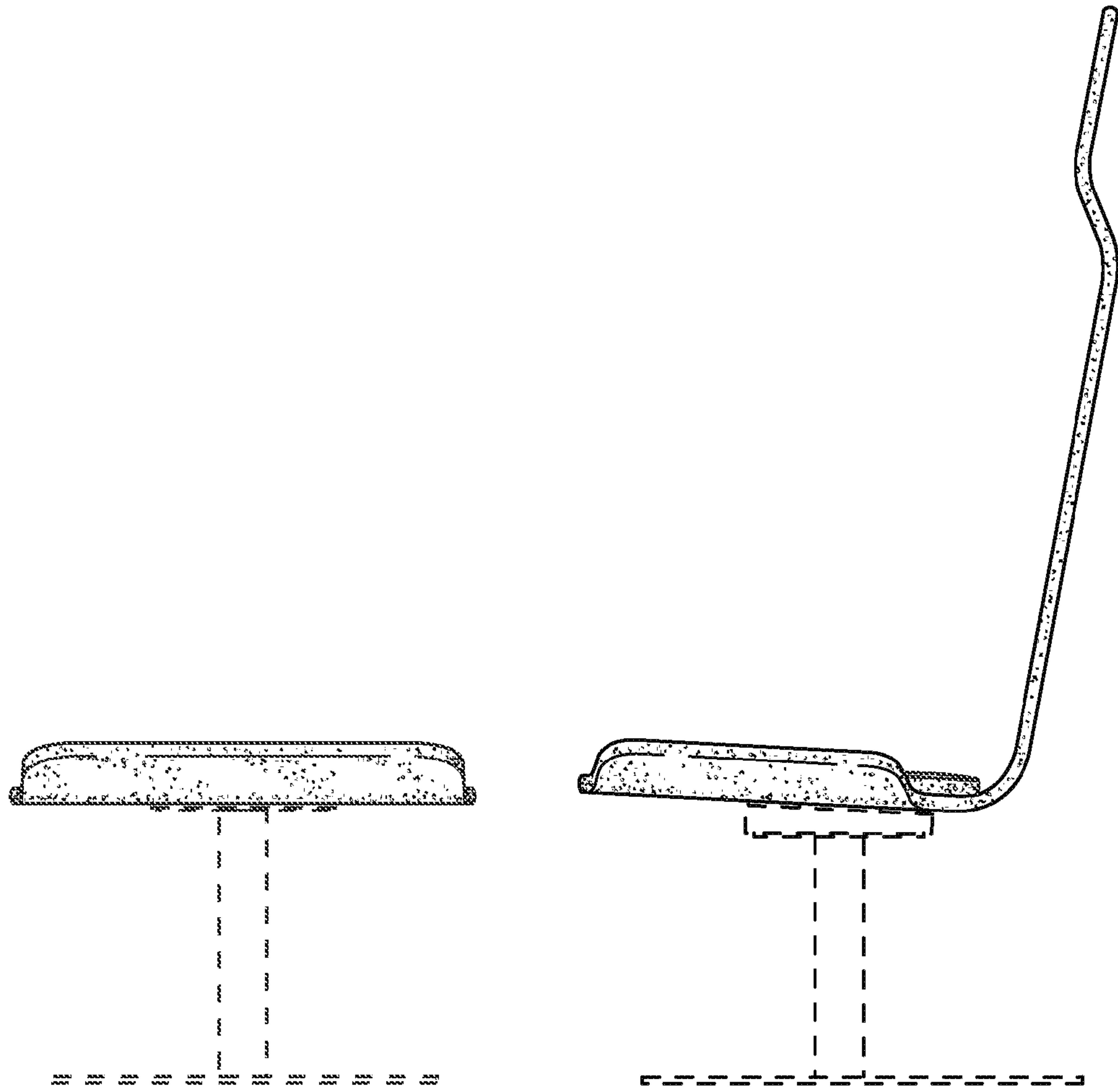


Fig. 4

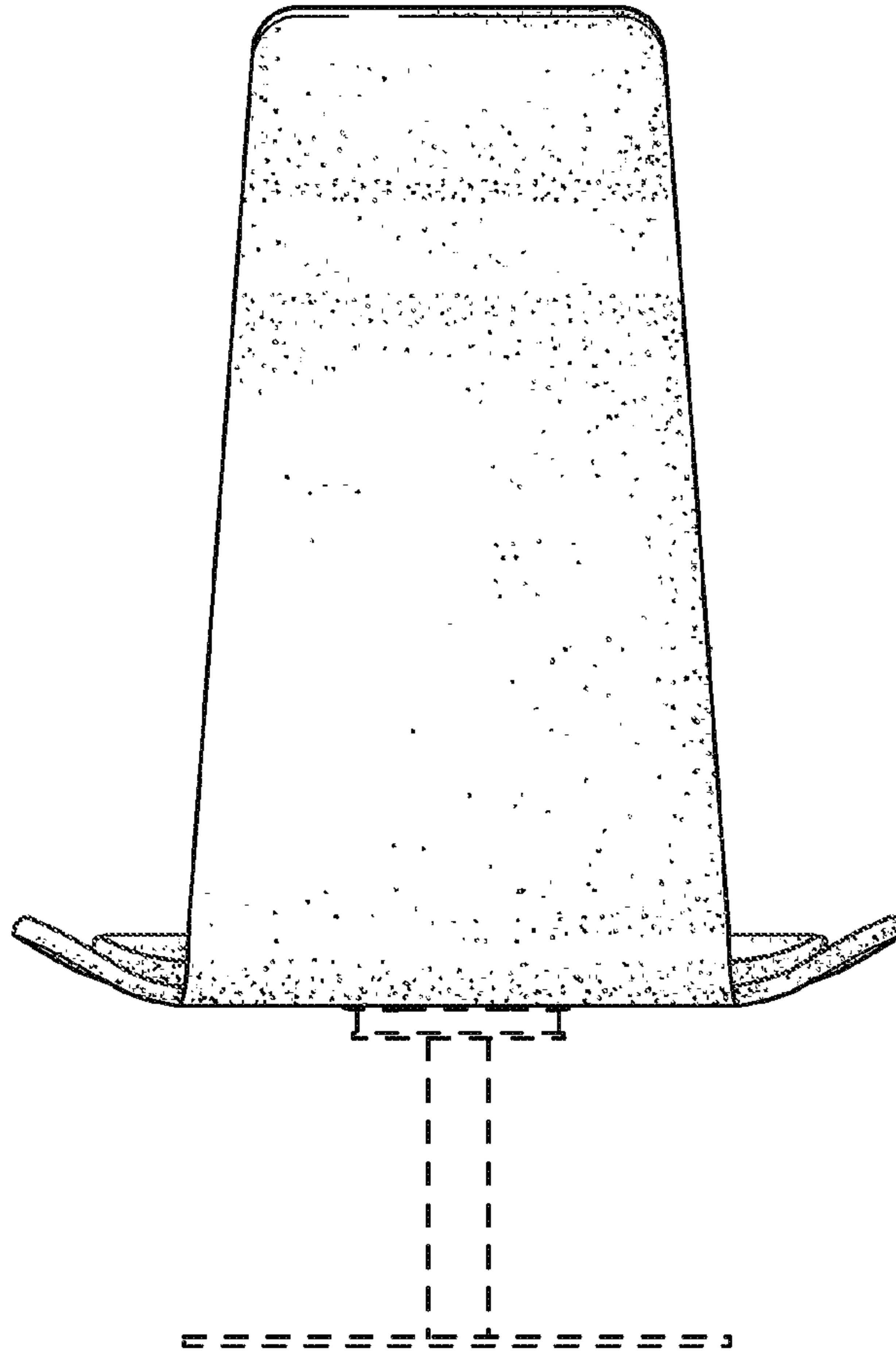


Fig. 5

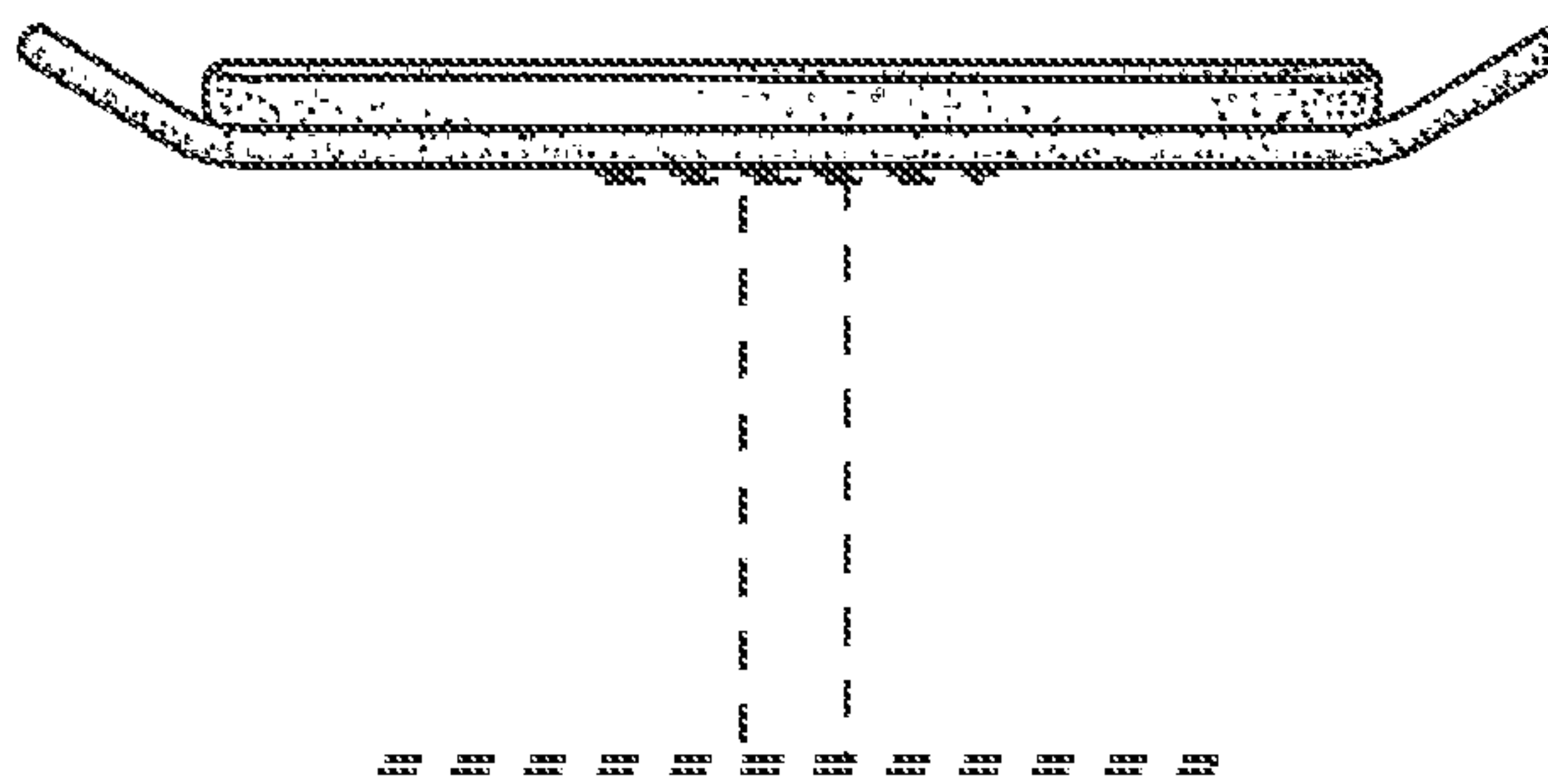


Fig. 6

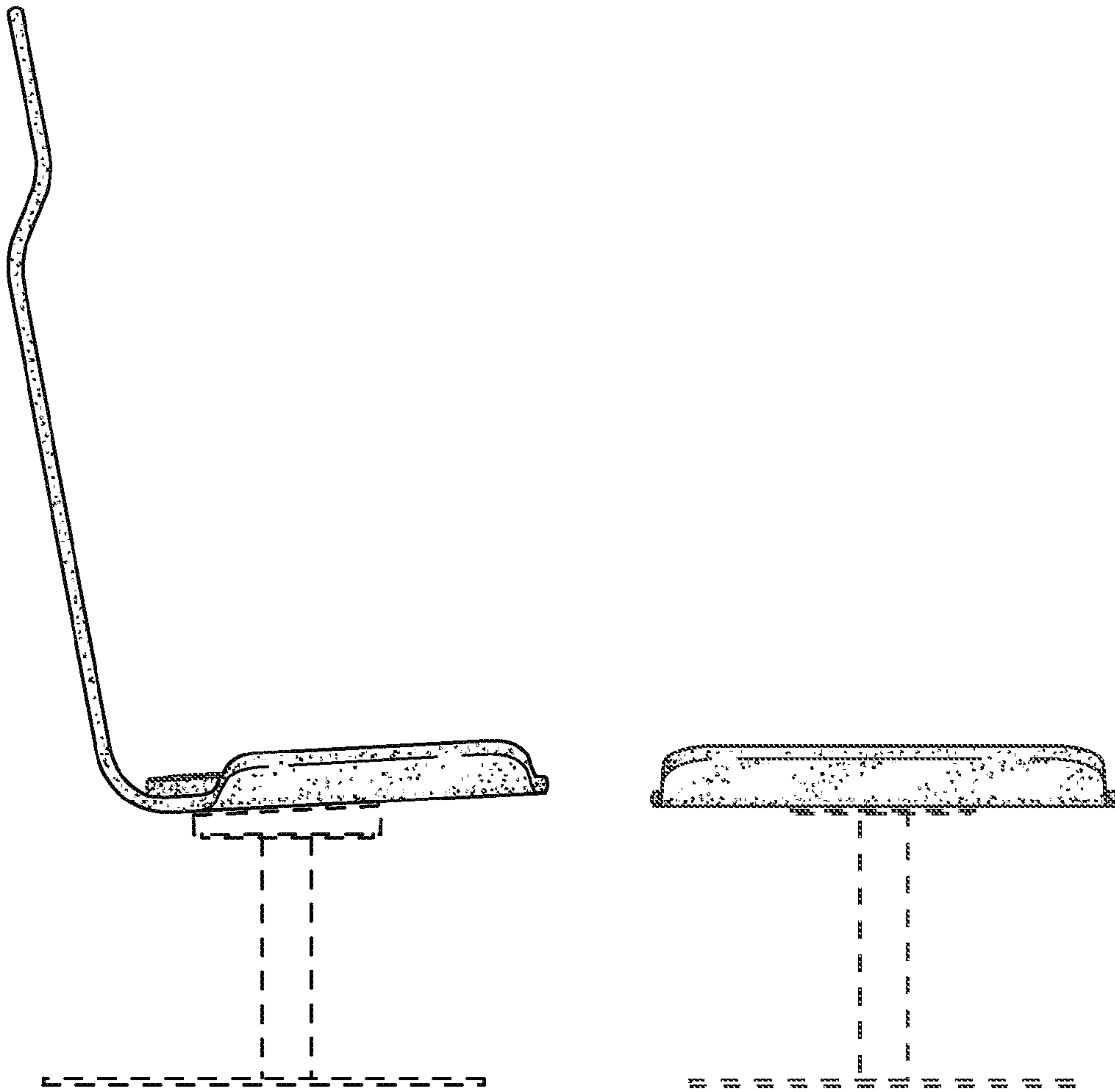


Fig. 7

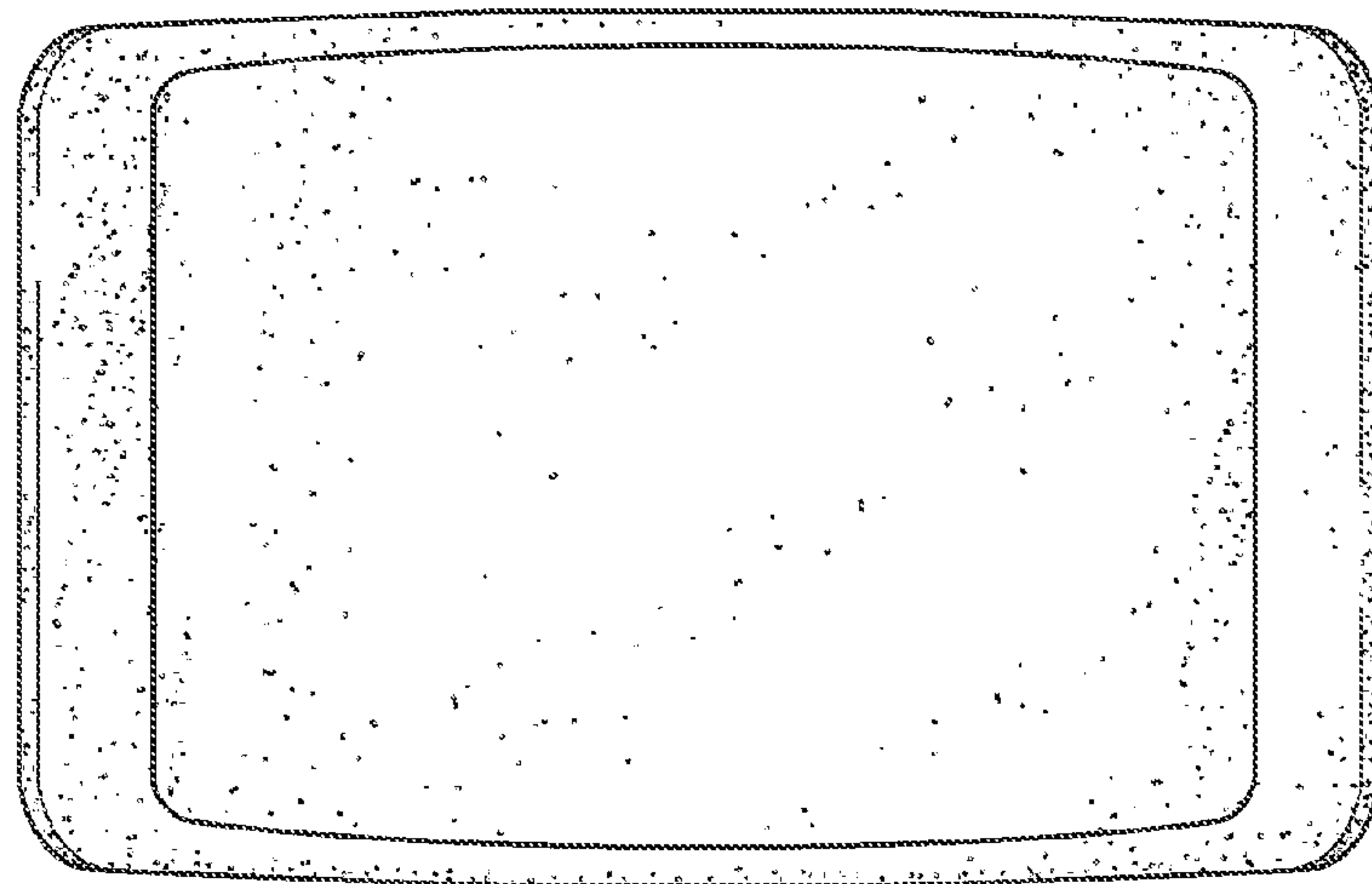
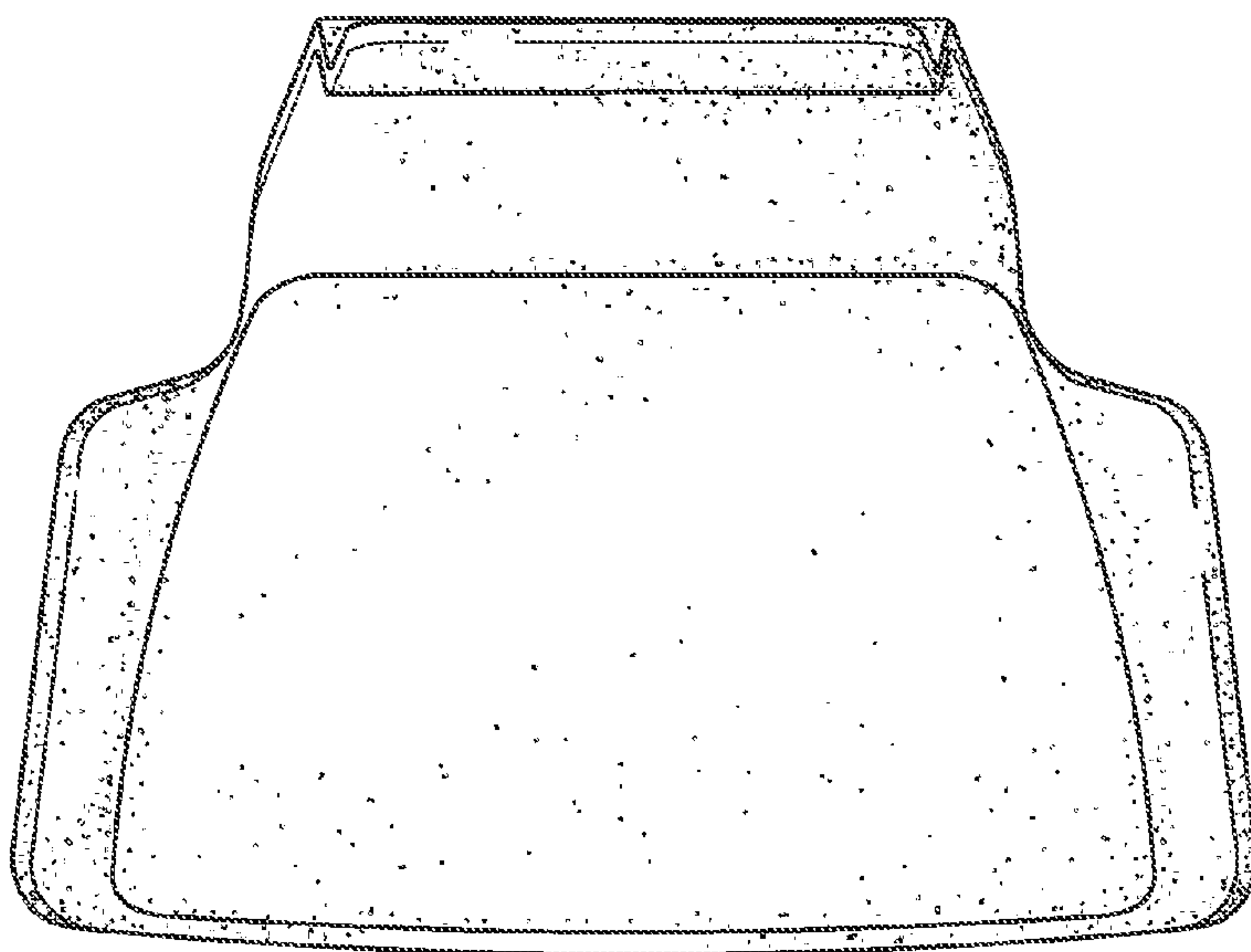


Fig. 8

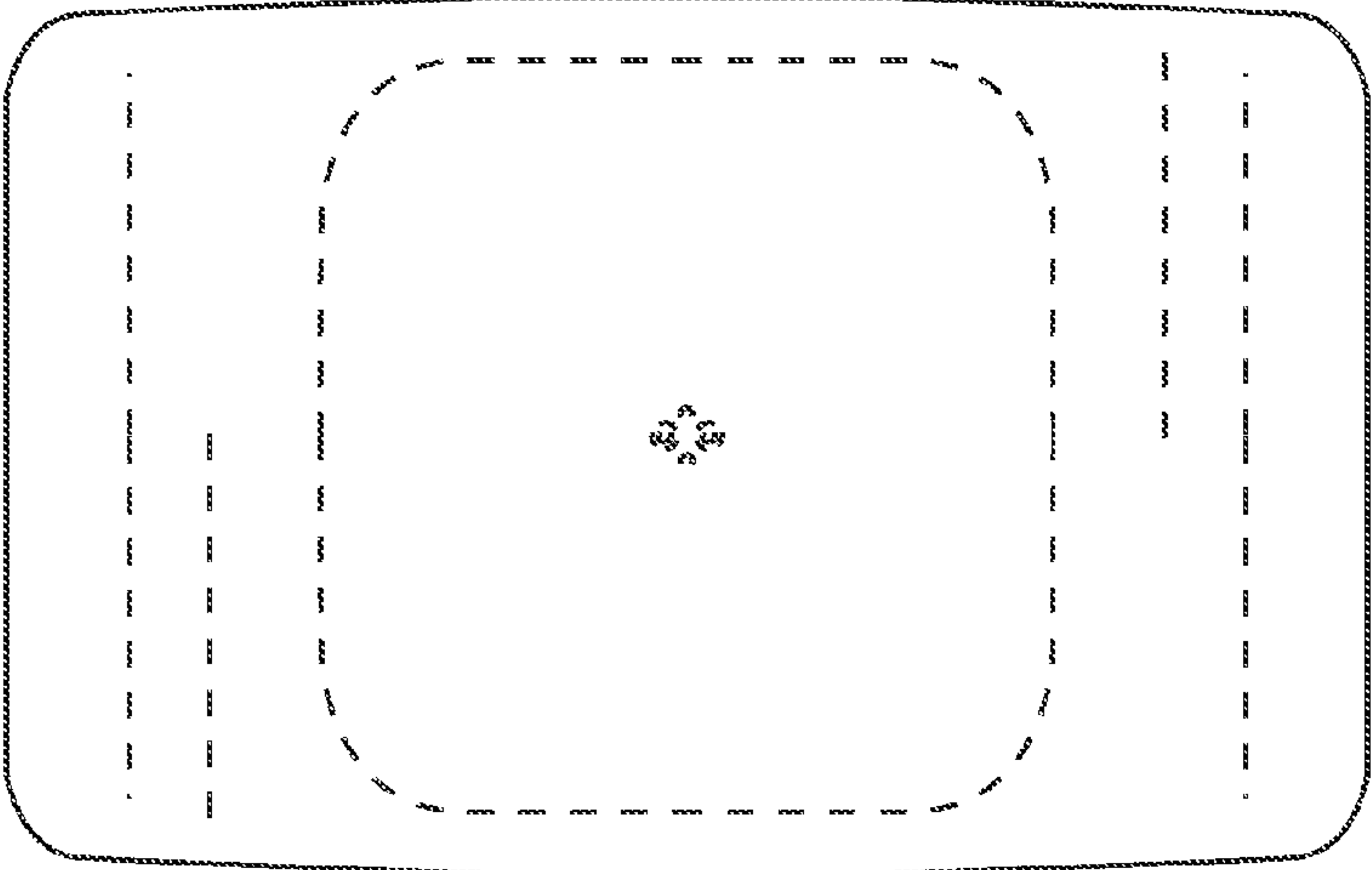
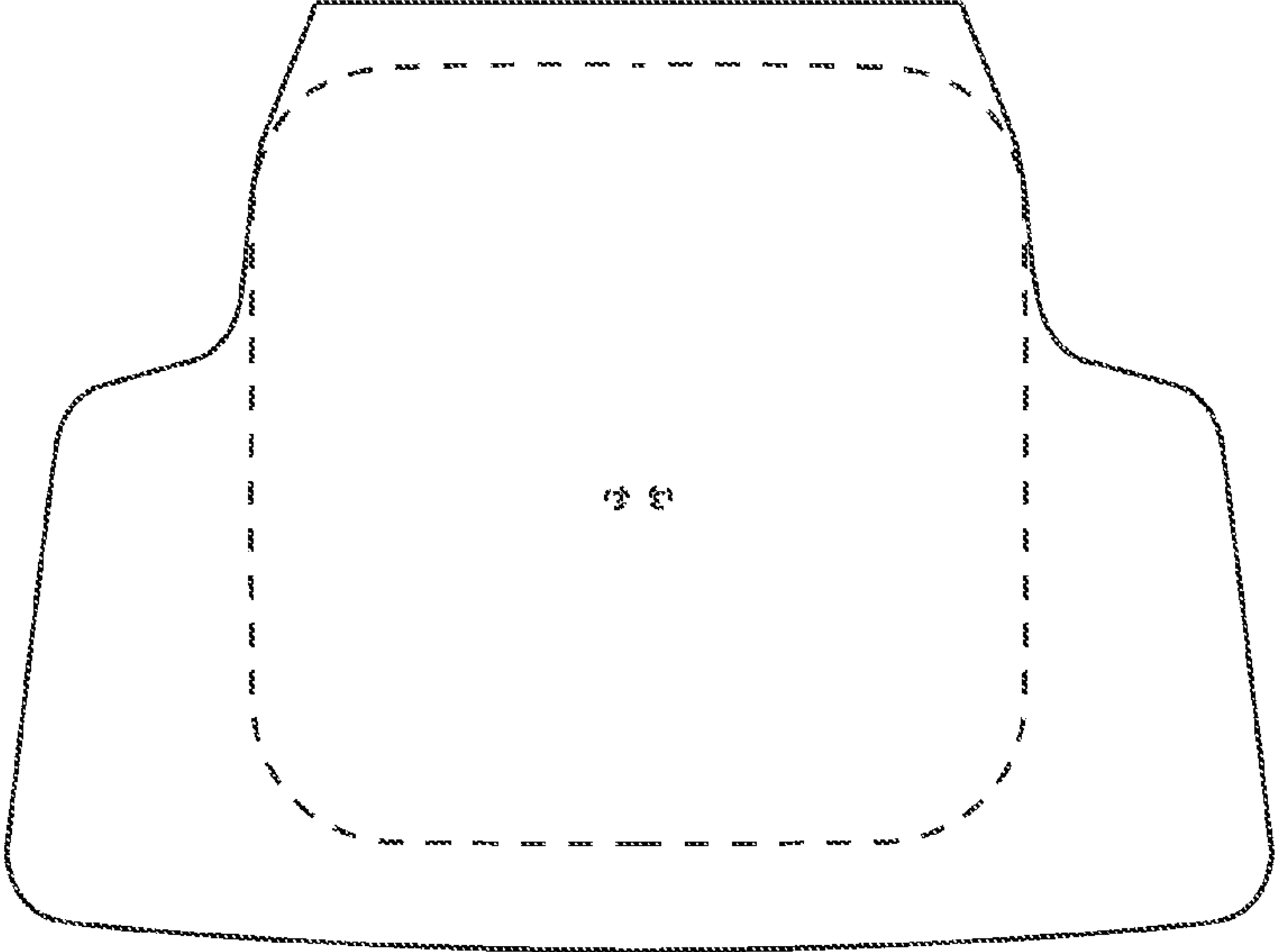


Fig. 9

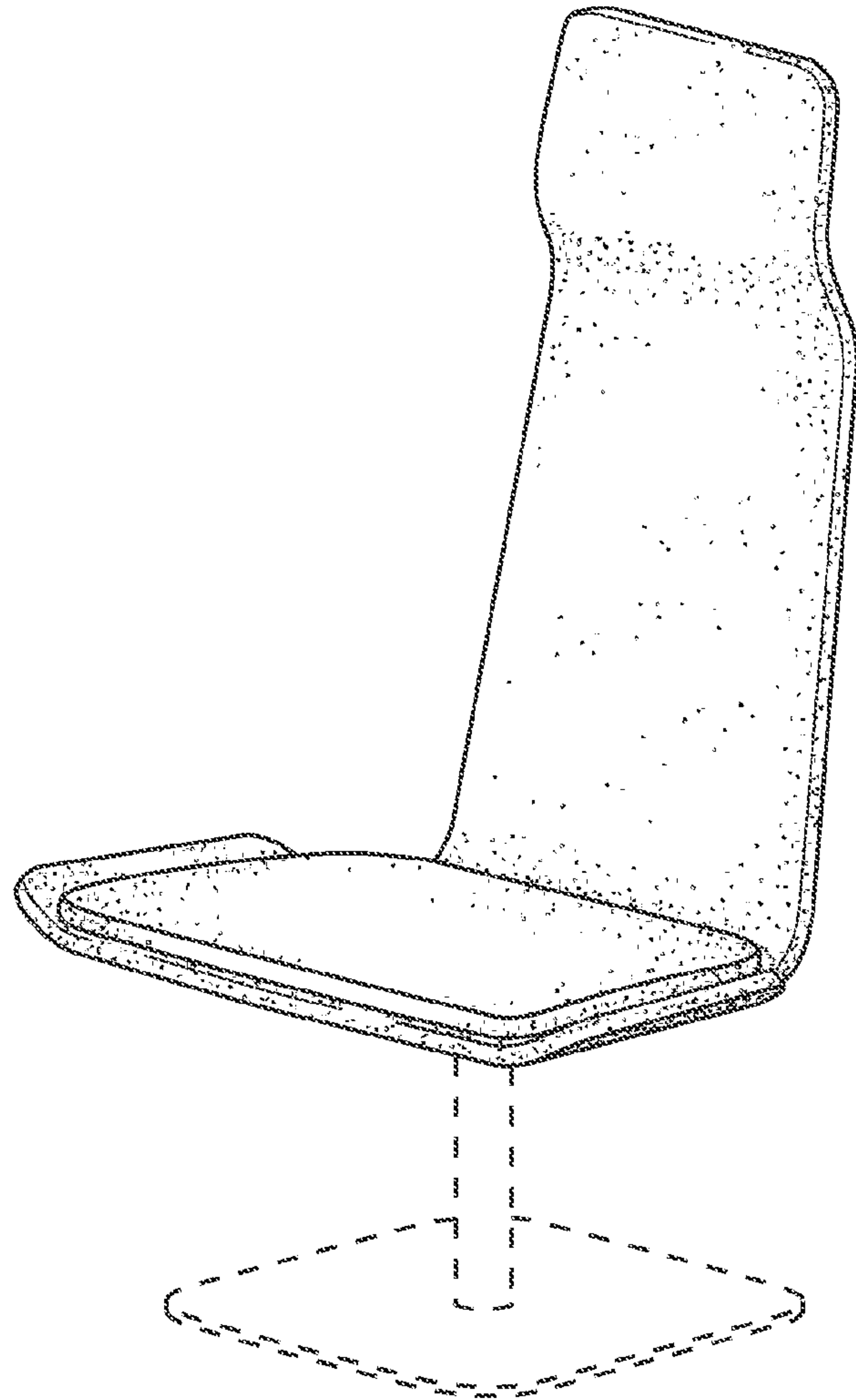


Fig. 10

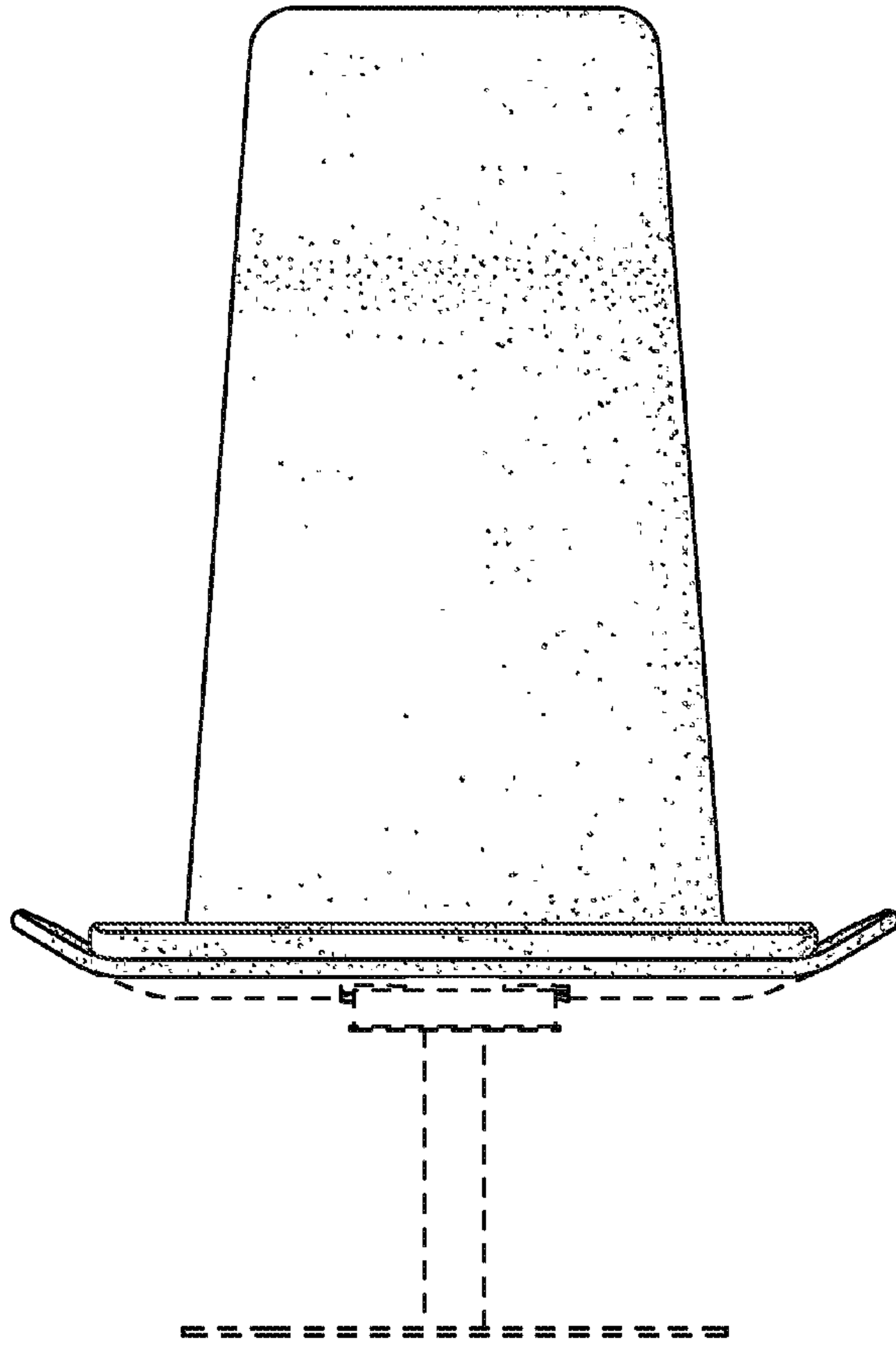


Fig. 11

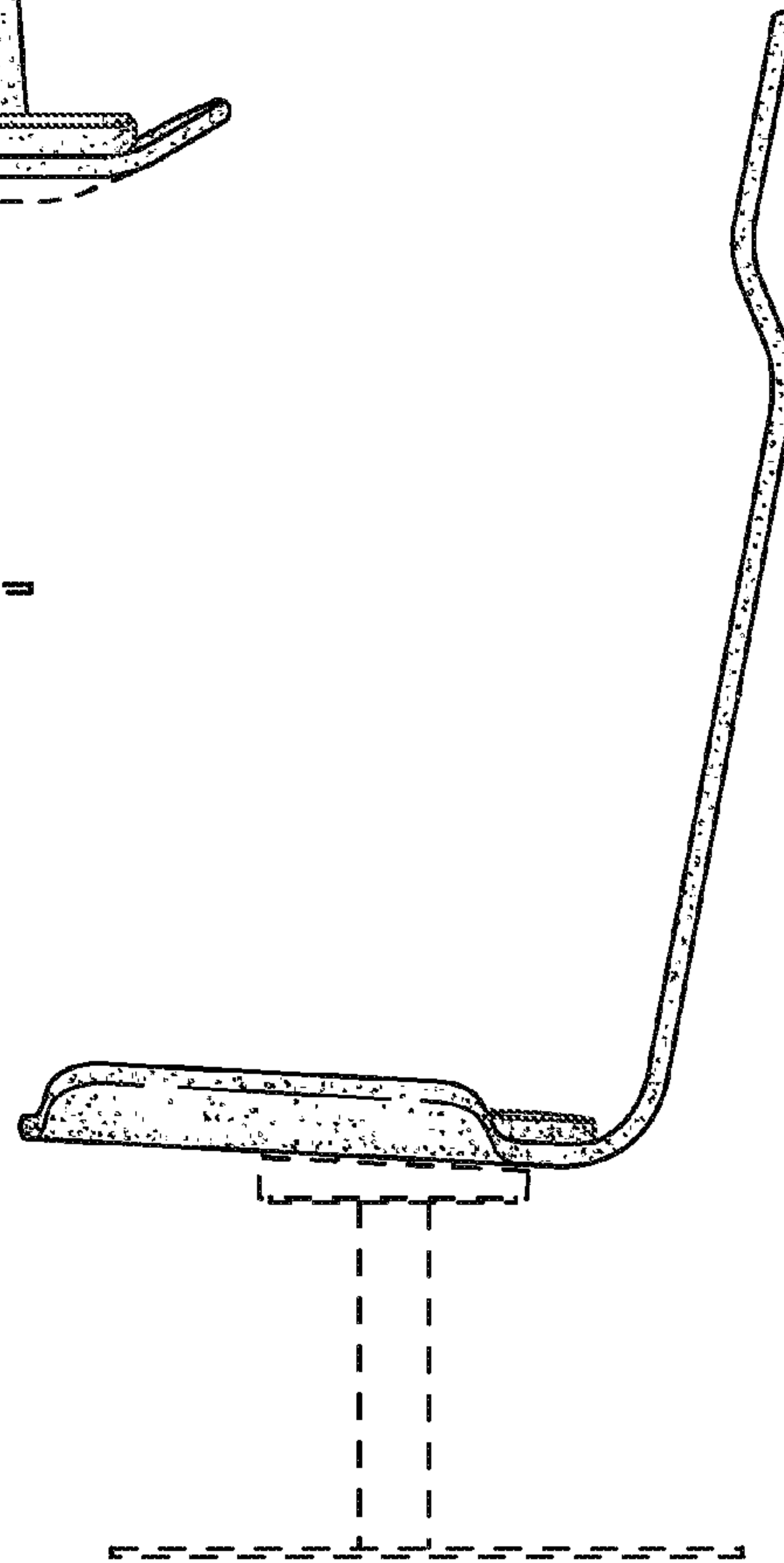


Fig. 12

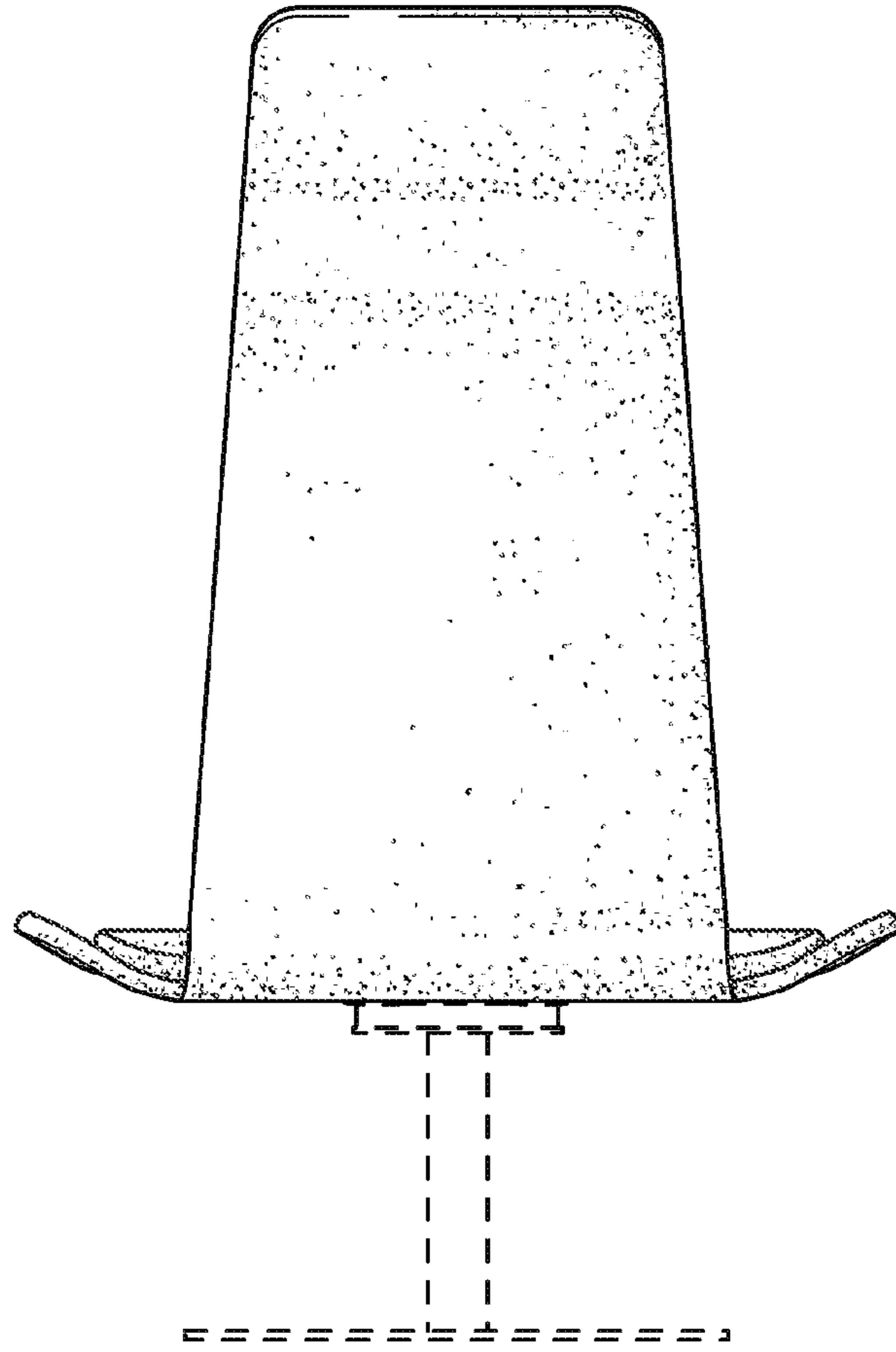


Fig. 13

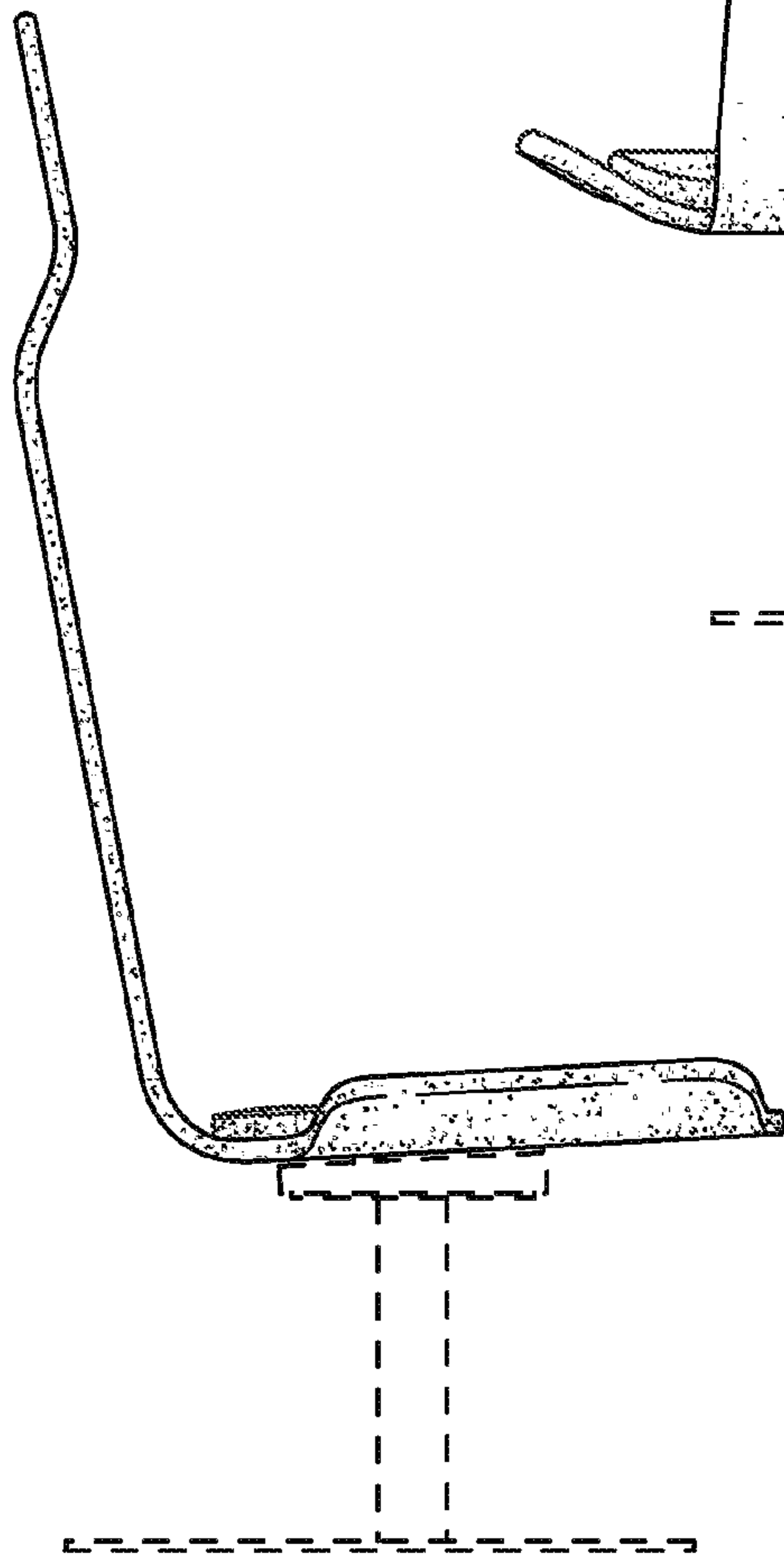


Fig. 14

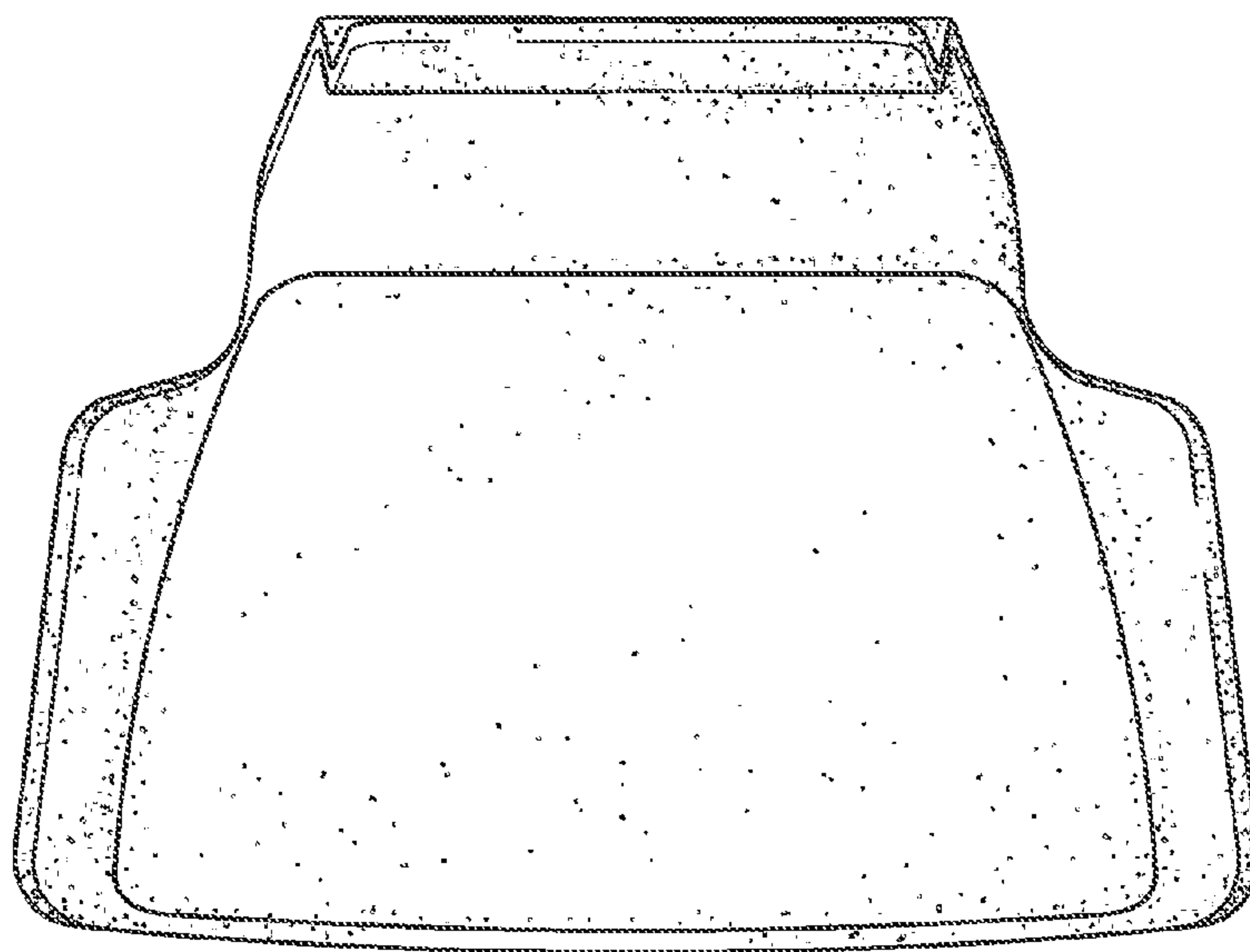


Fig. 15

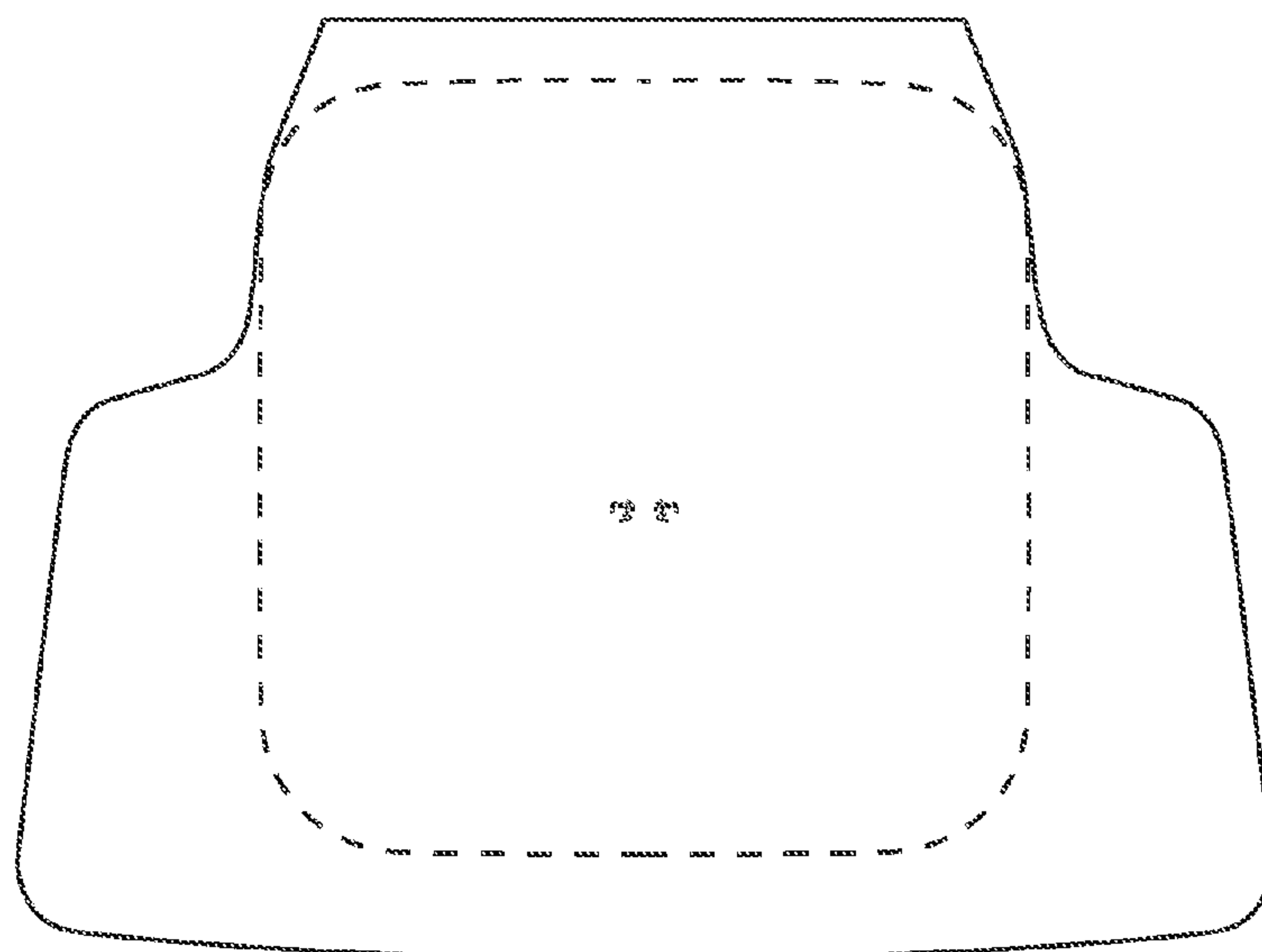


Fig. 16

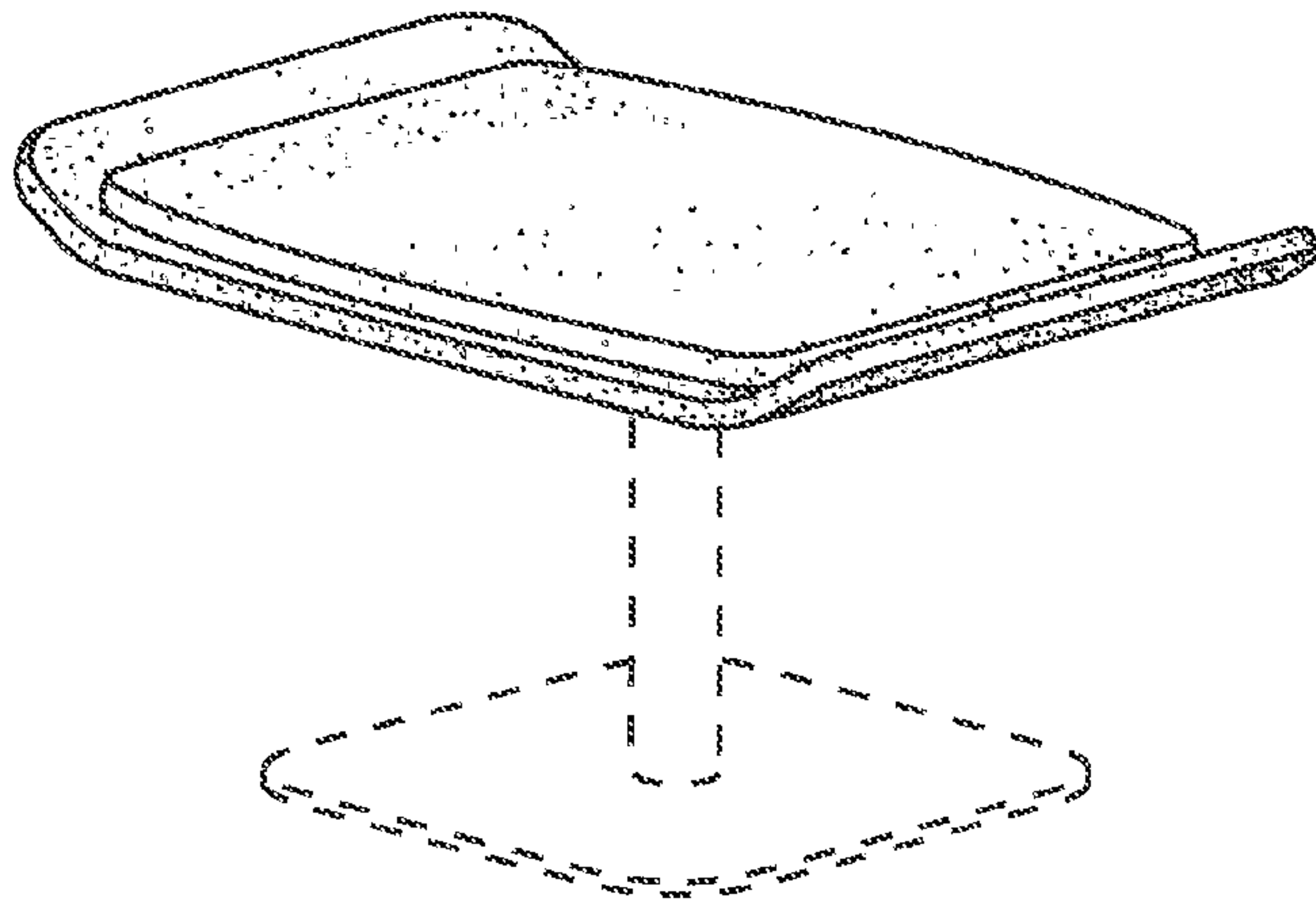


Fig. 17

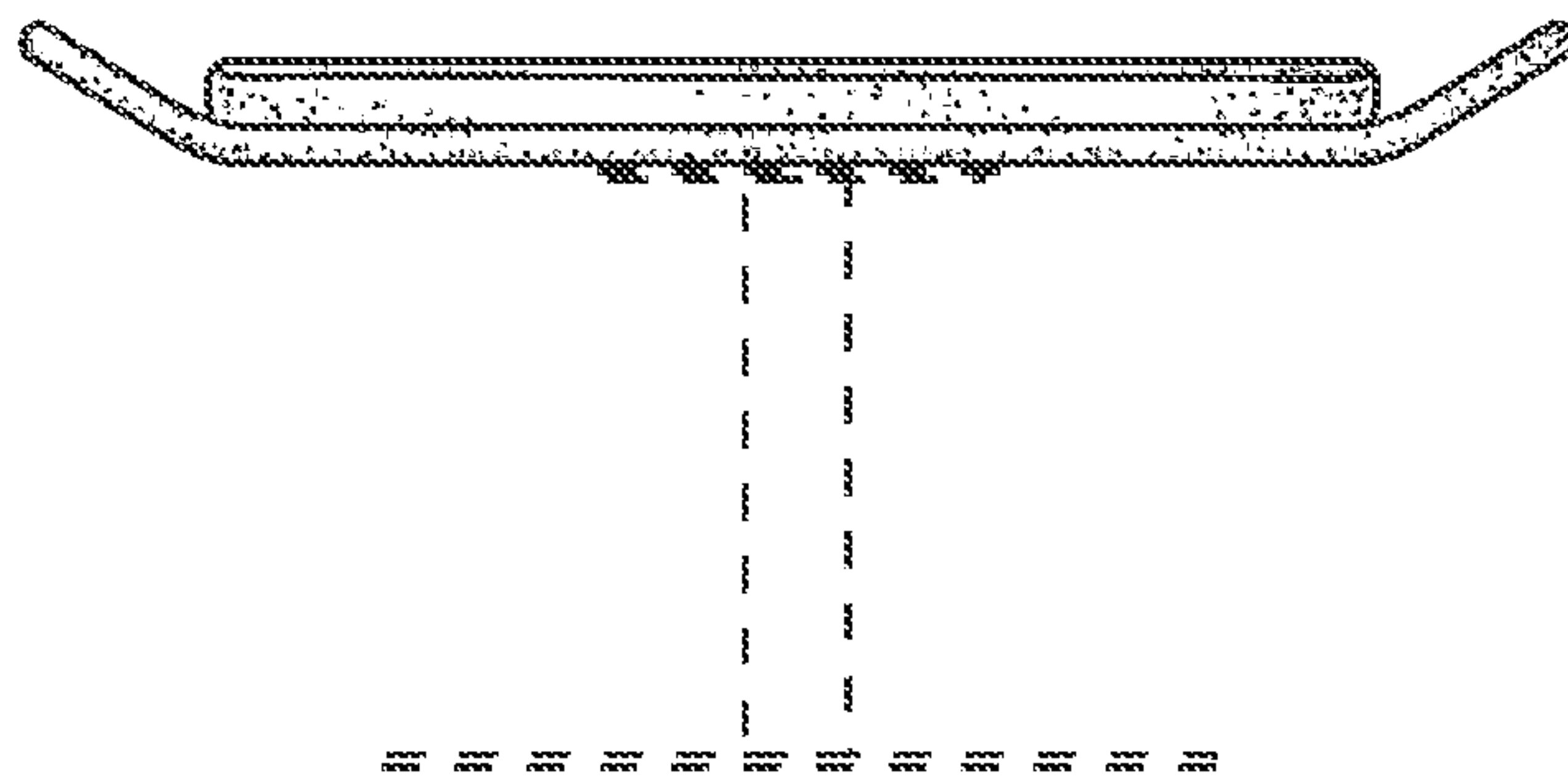


Fig. 18

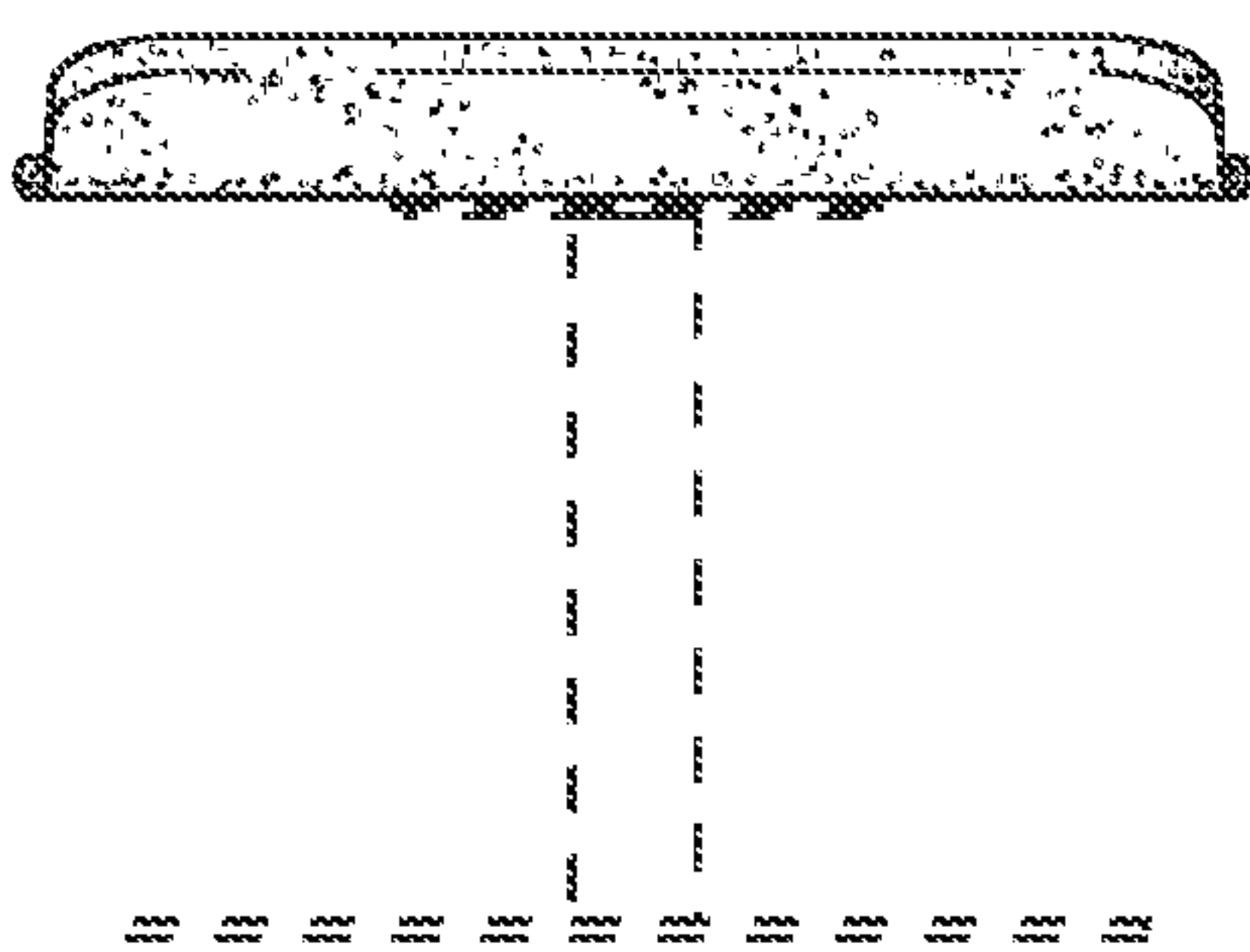


Fig. 19

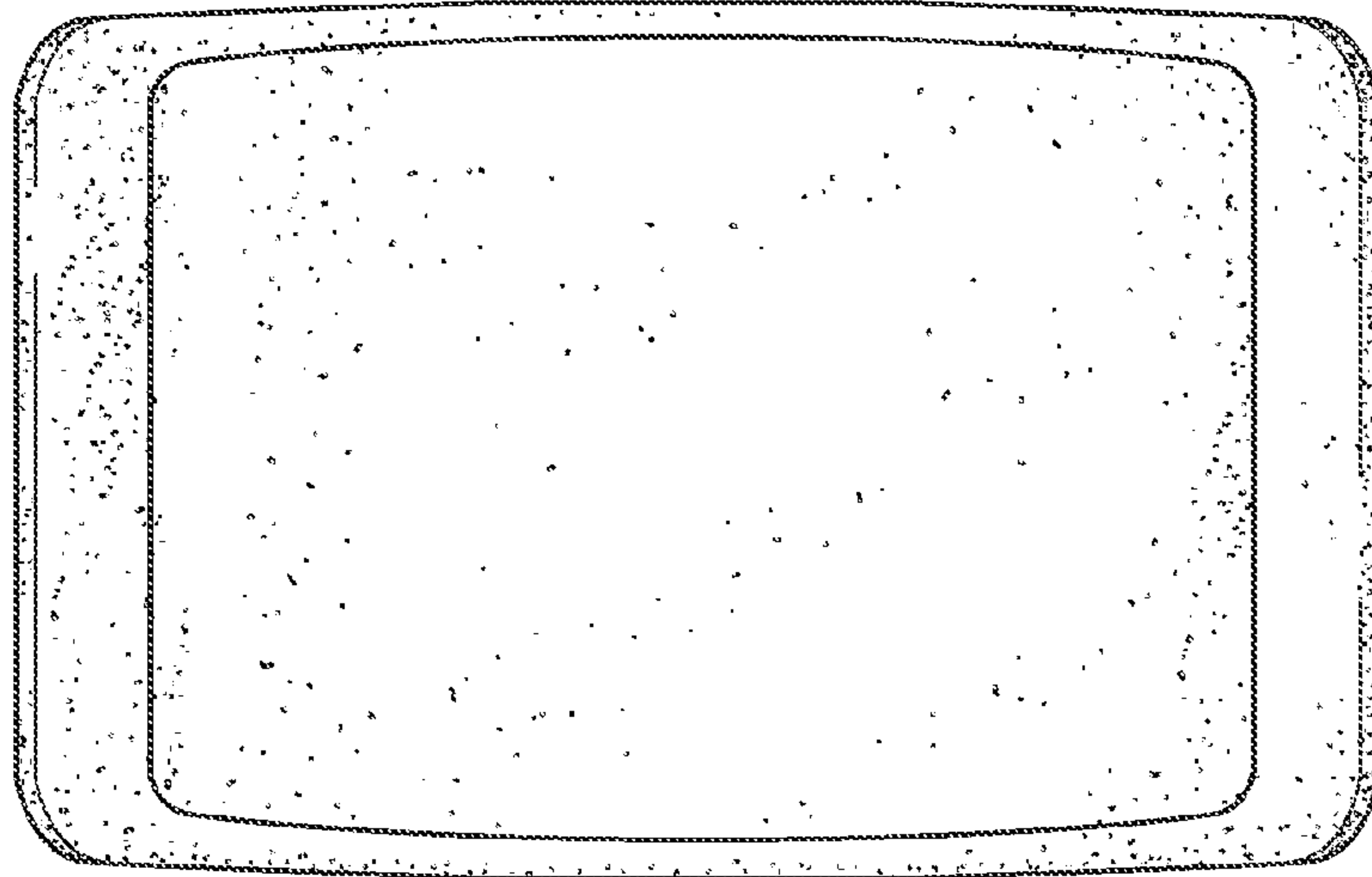


Fig. 20

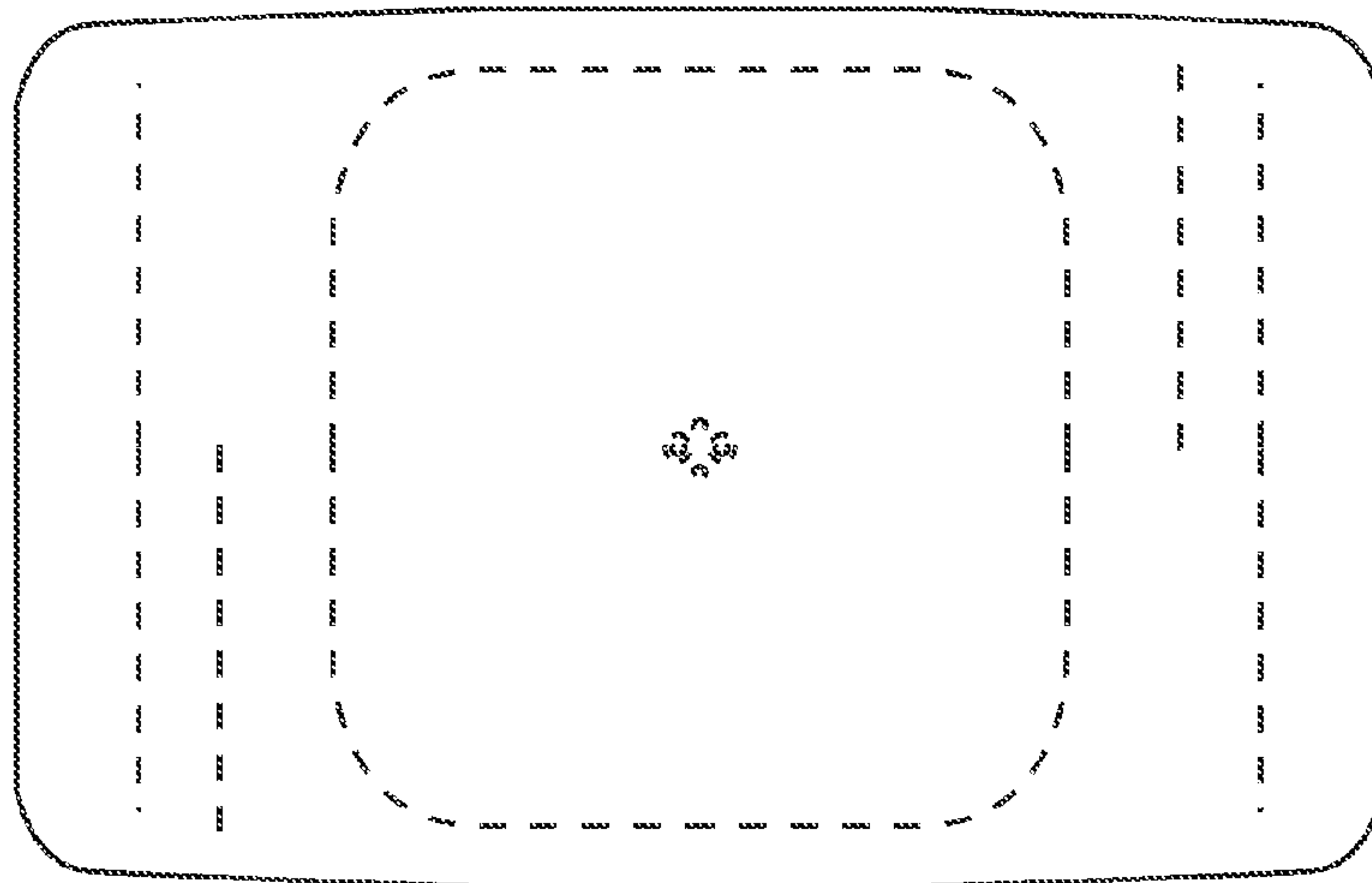


Fig. 21

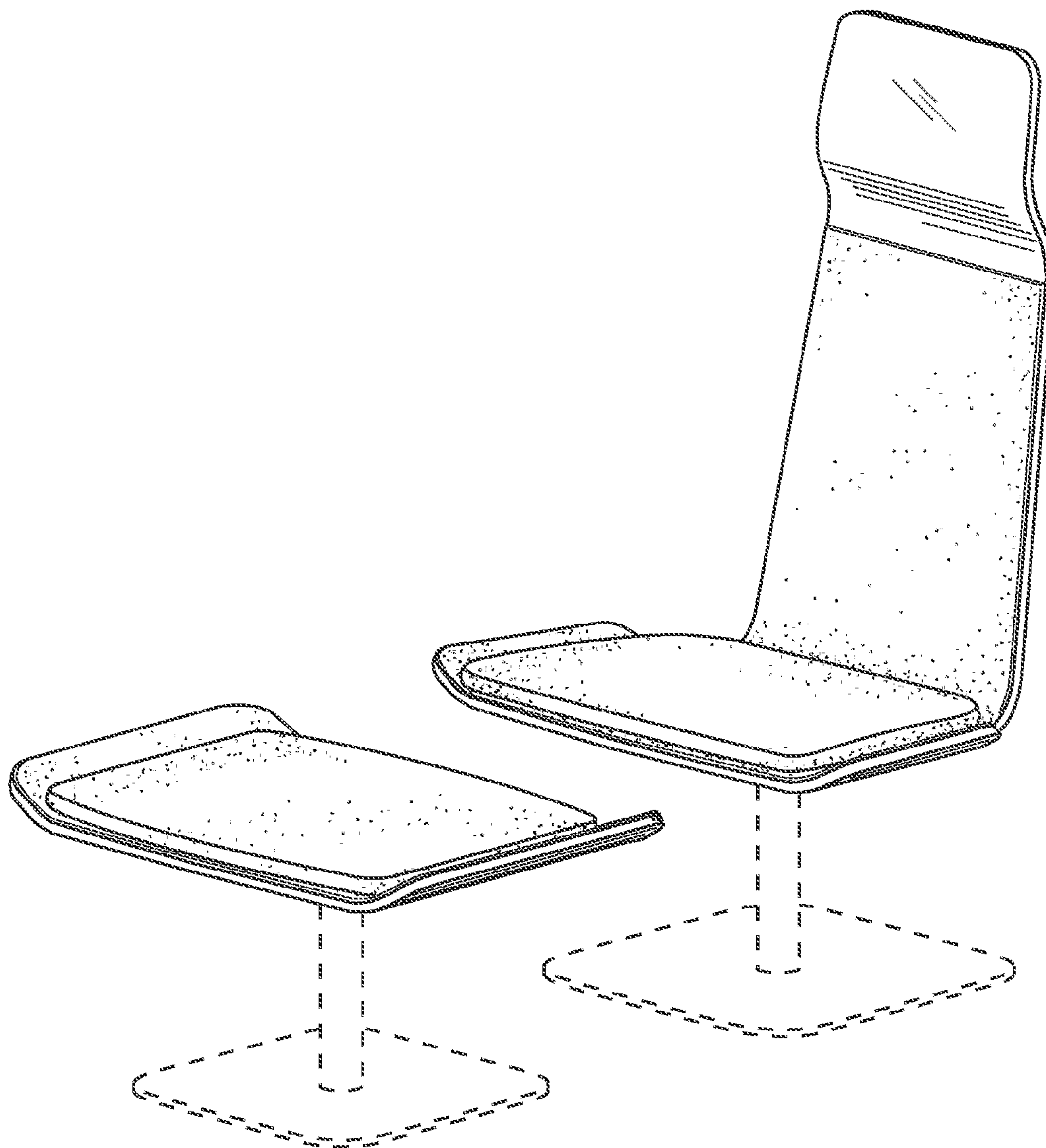


Fig. 22

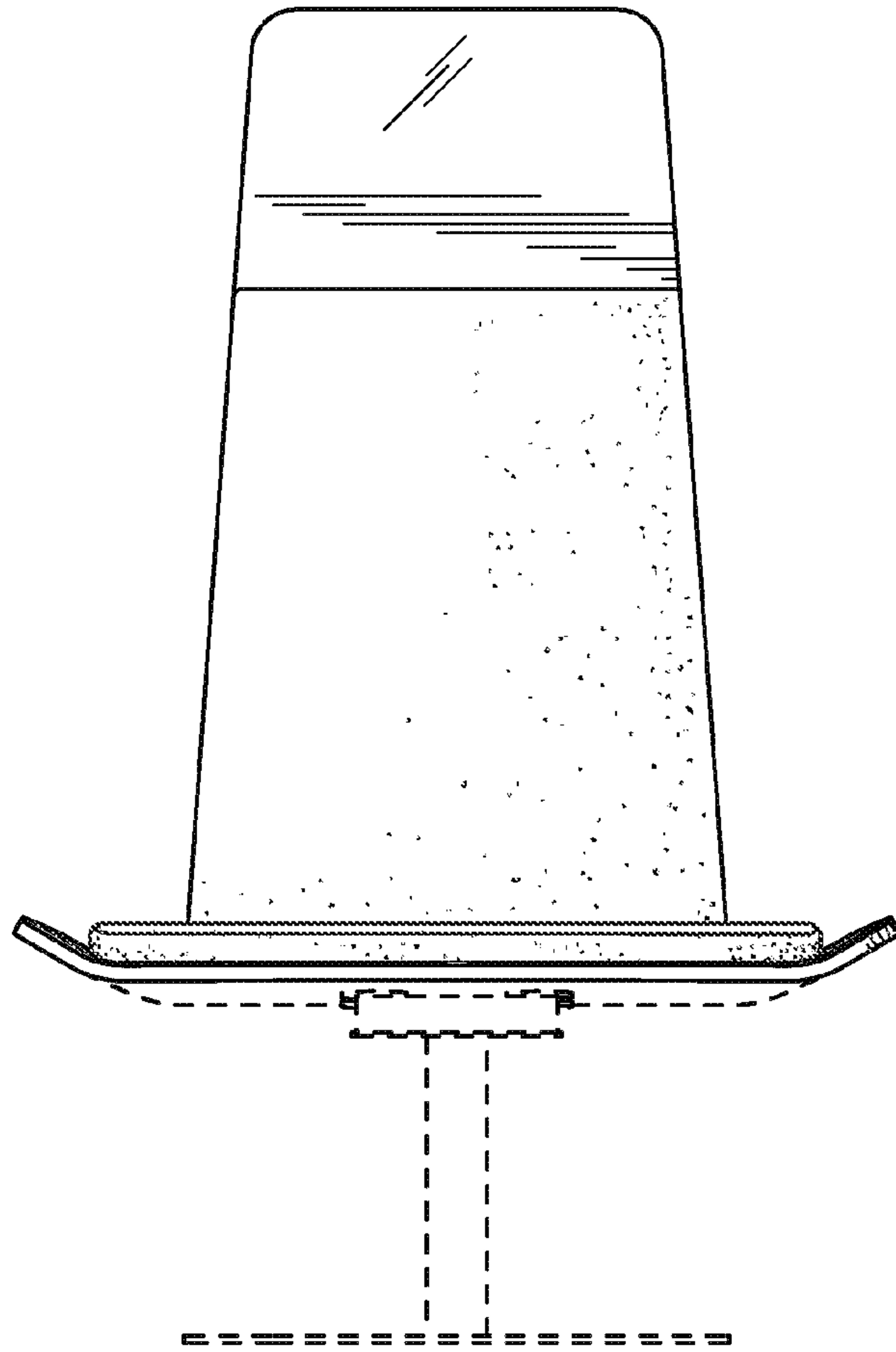


Fig. 23

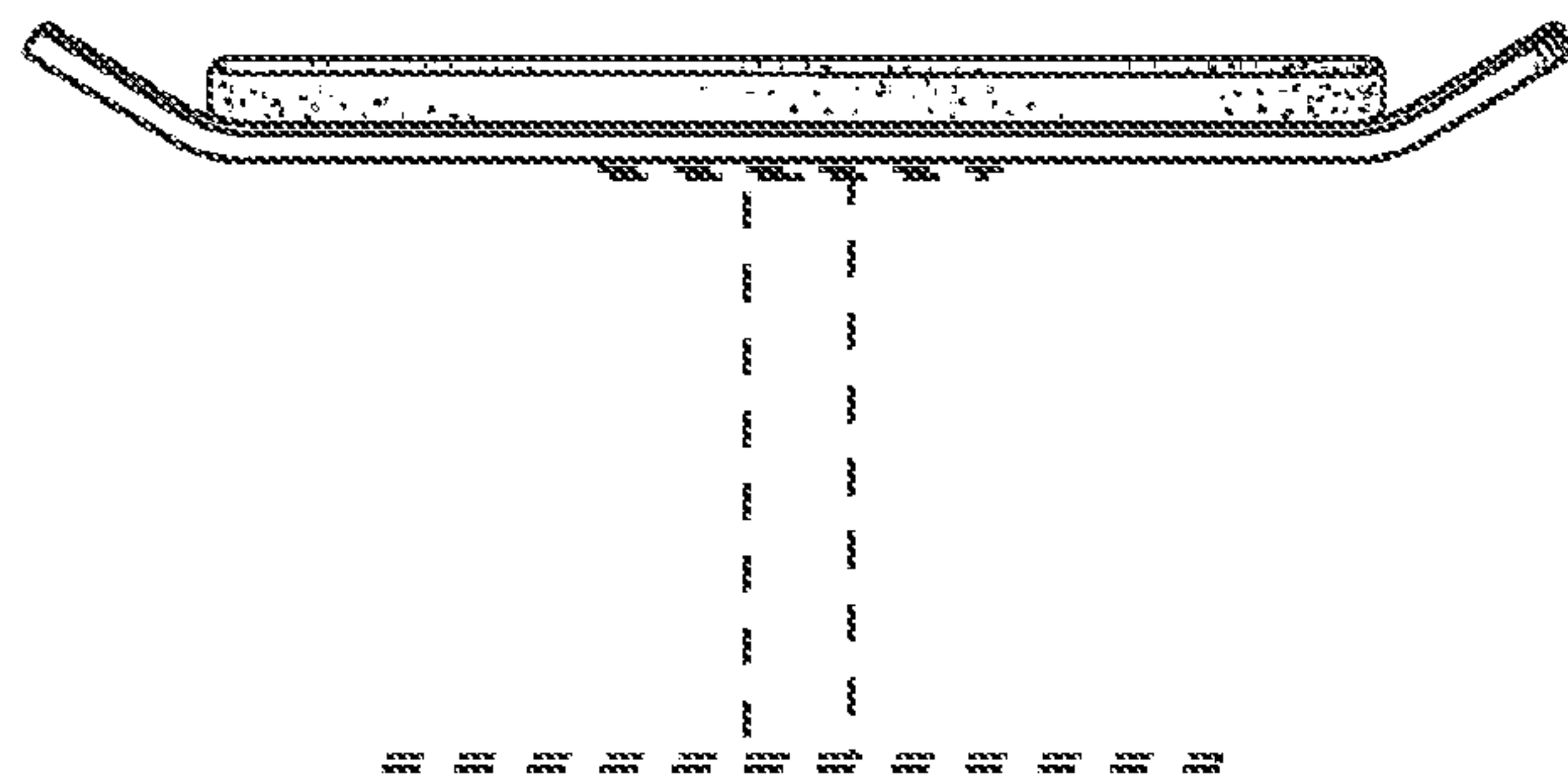


Fig. 24

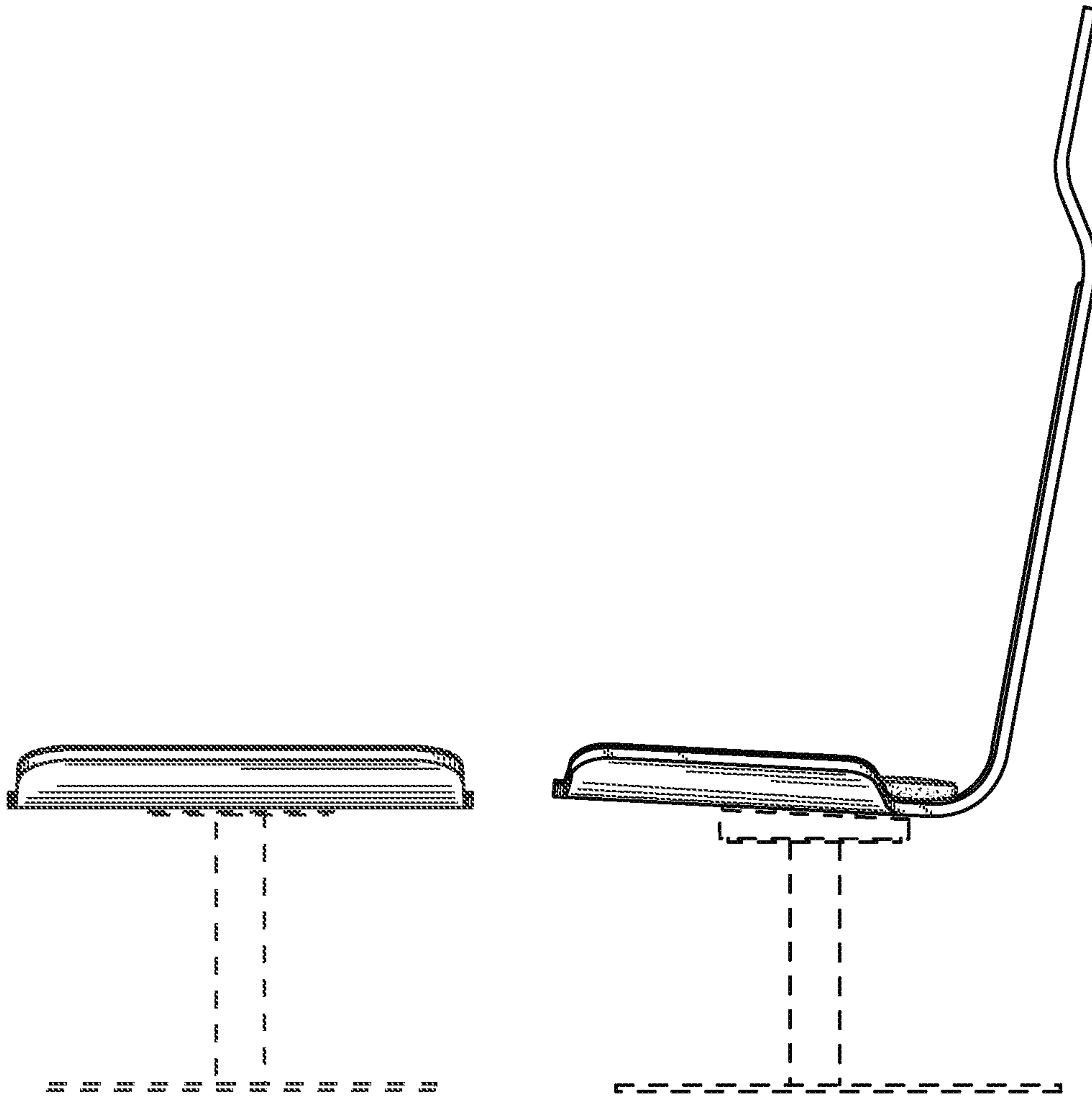


Fig. 25

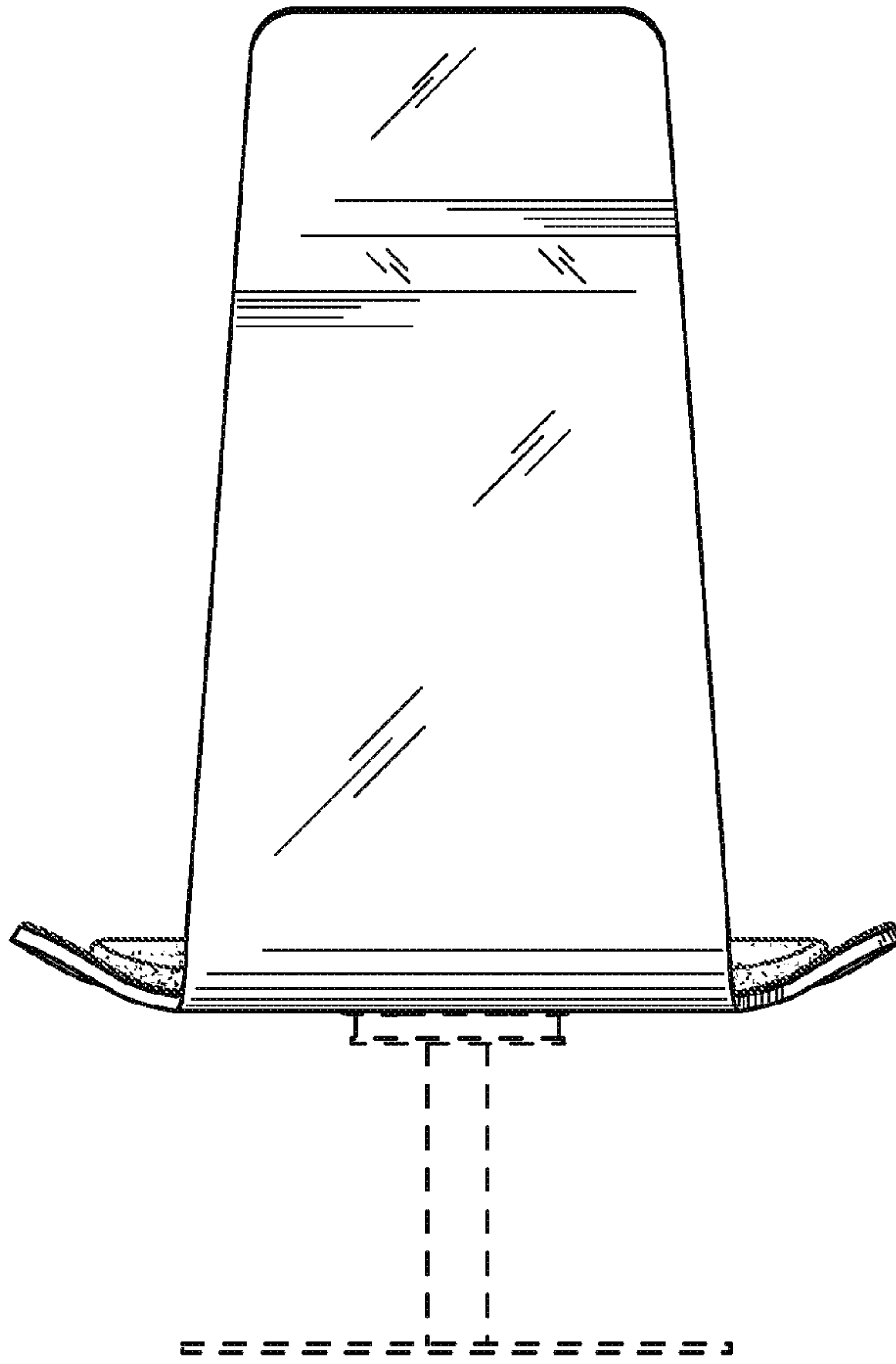


Fig. 26

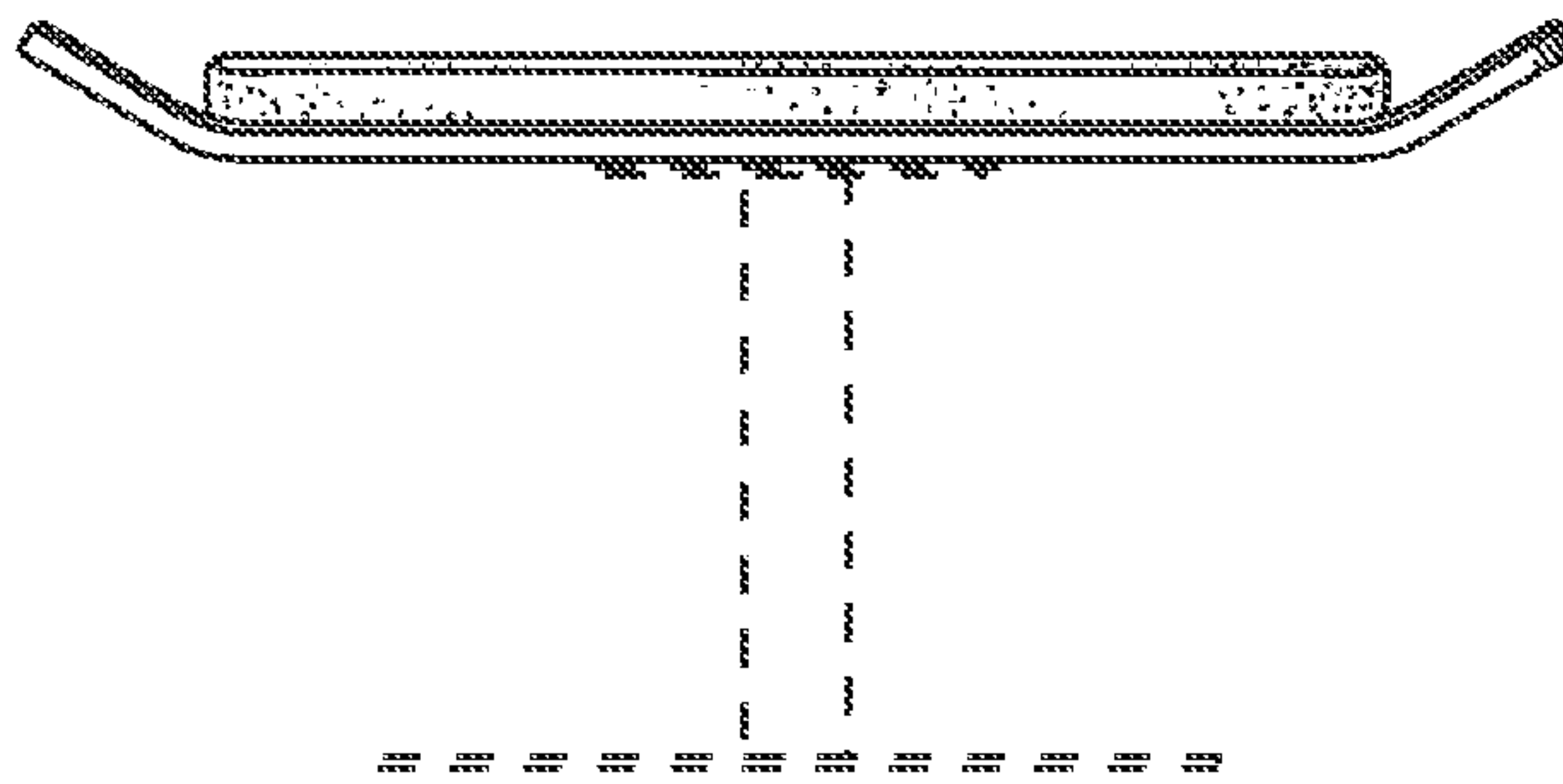


Fig. 27

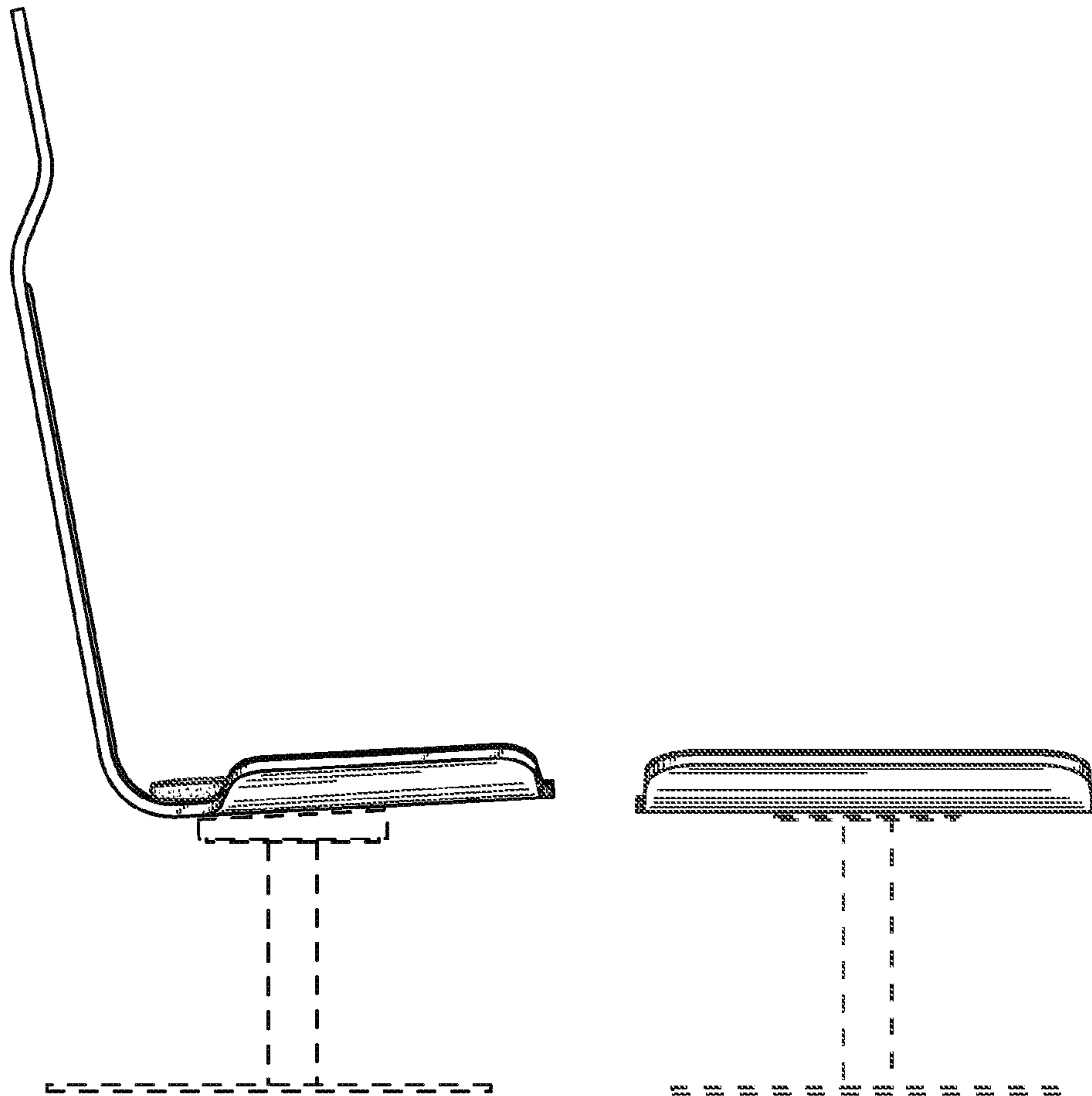


Fig. 28

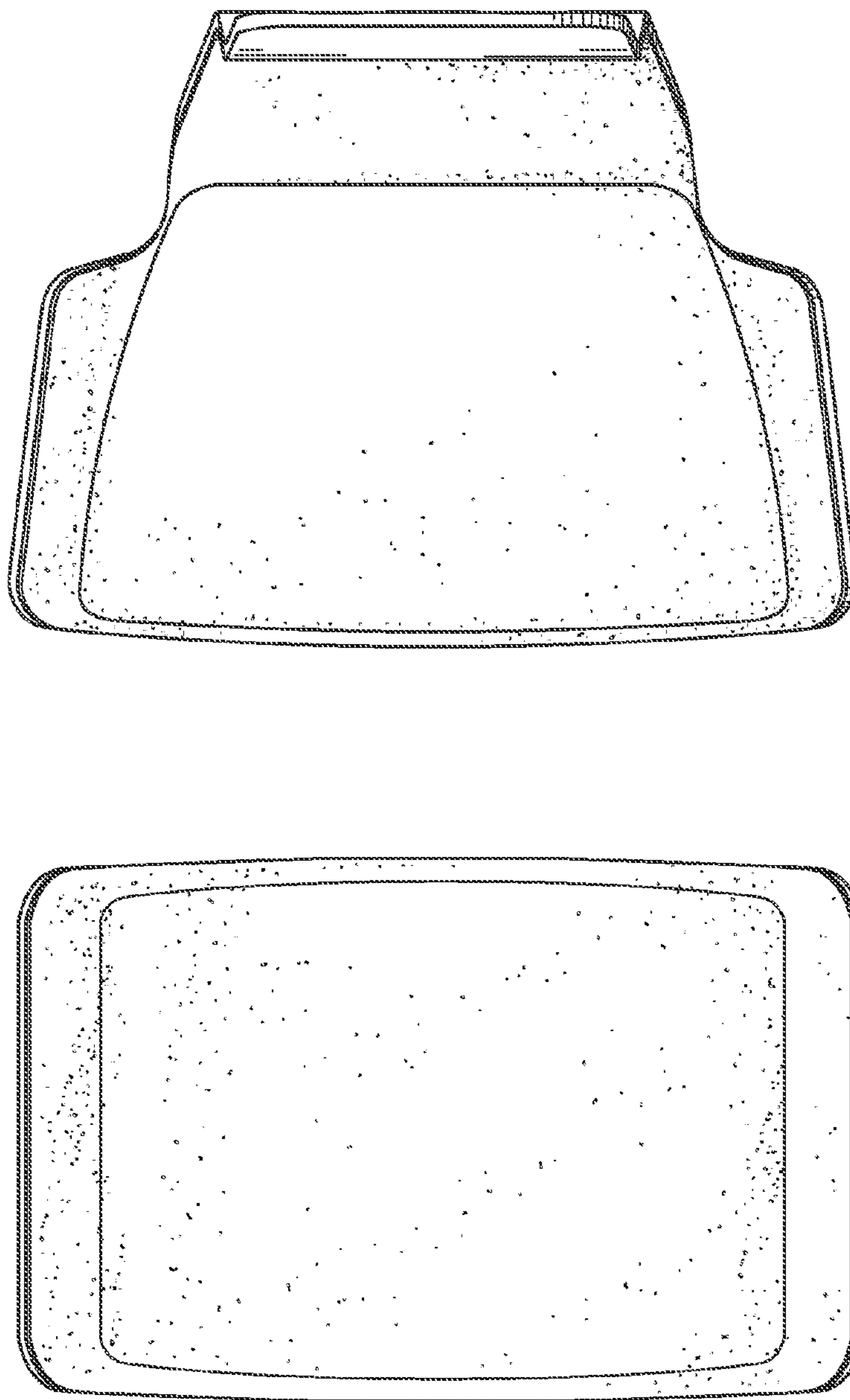


Fig. 29

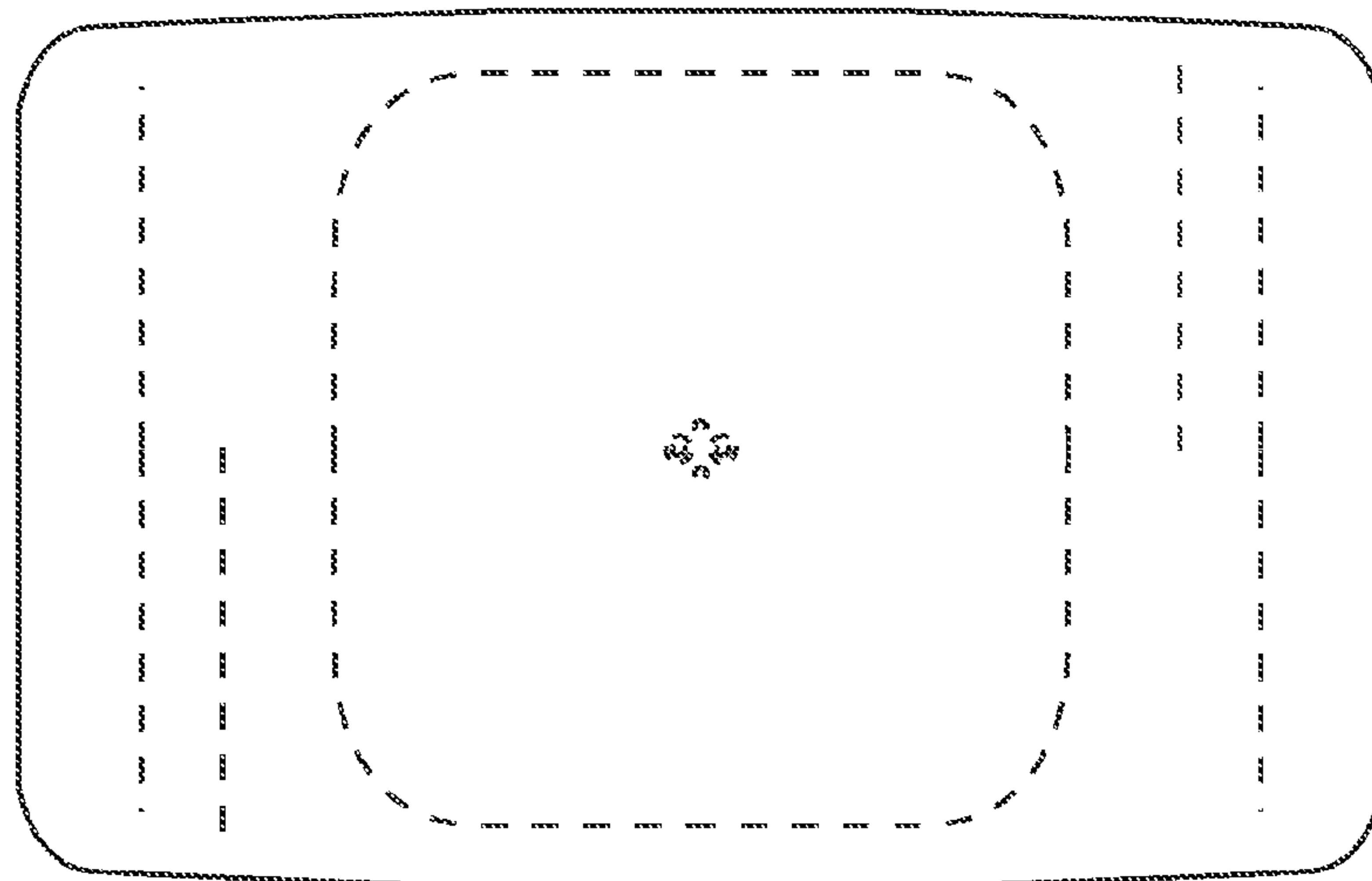
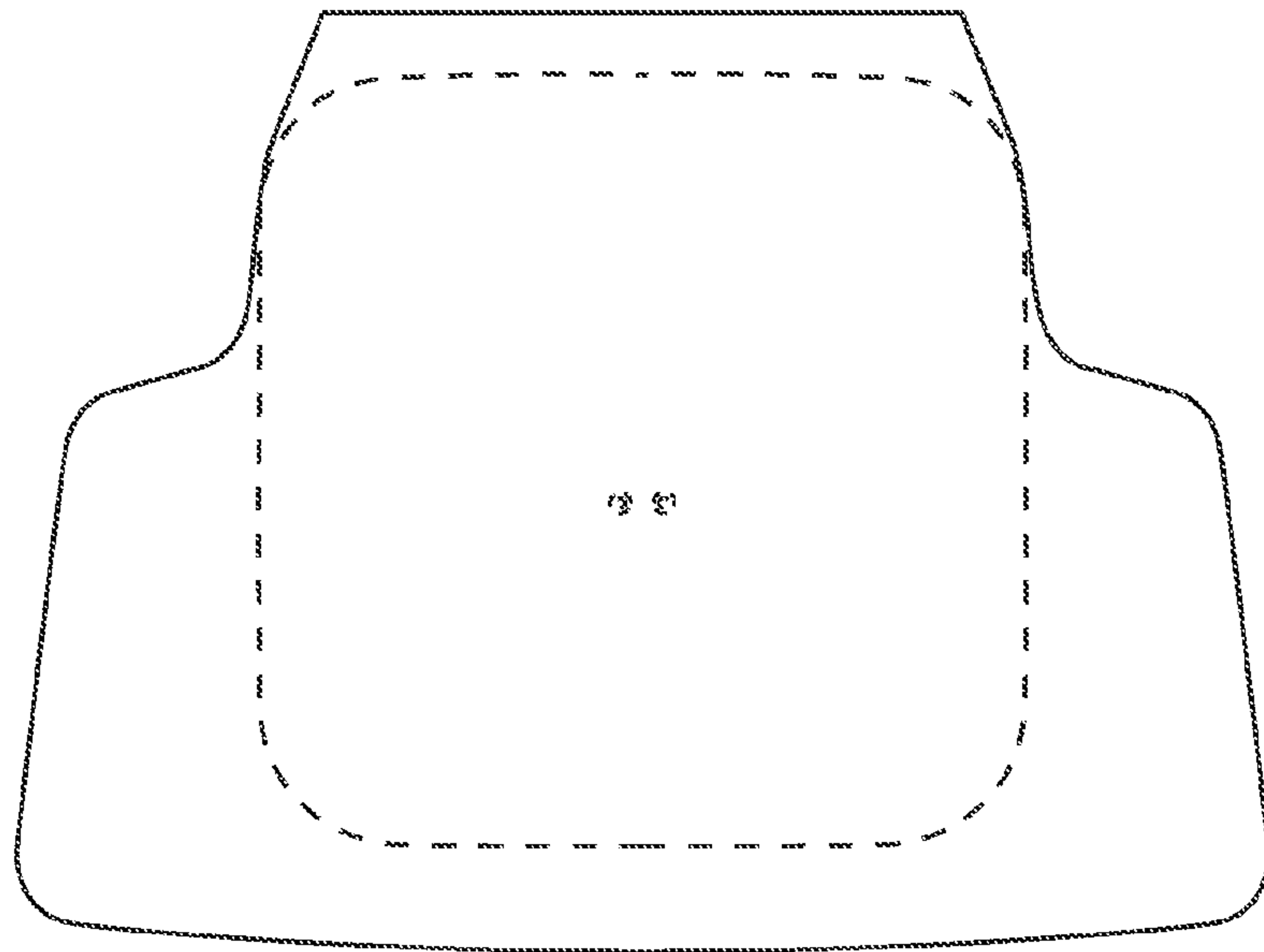


Fig. 30

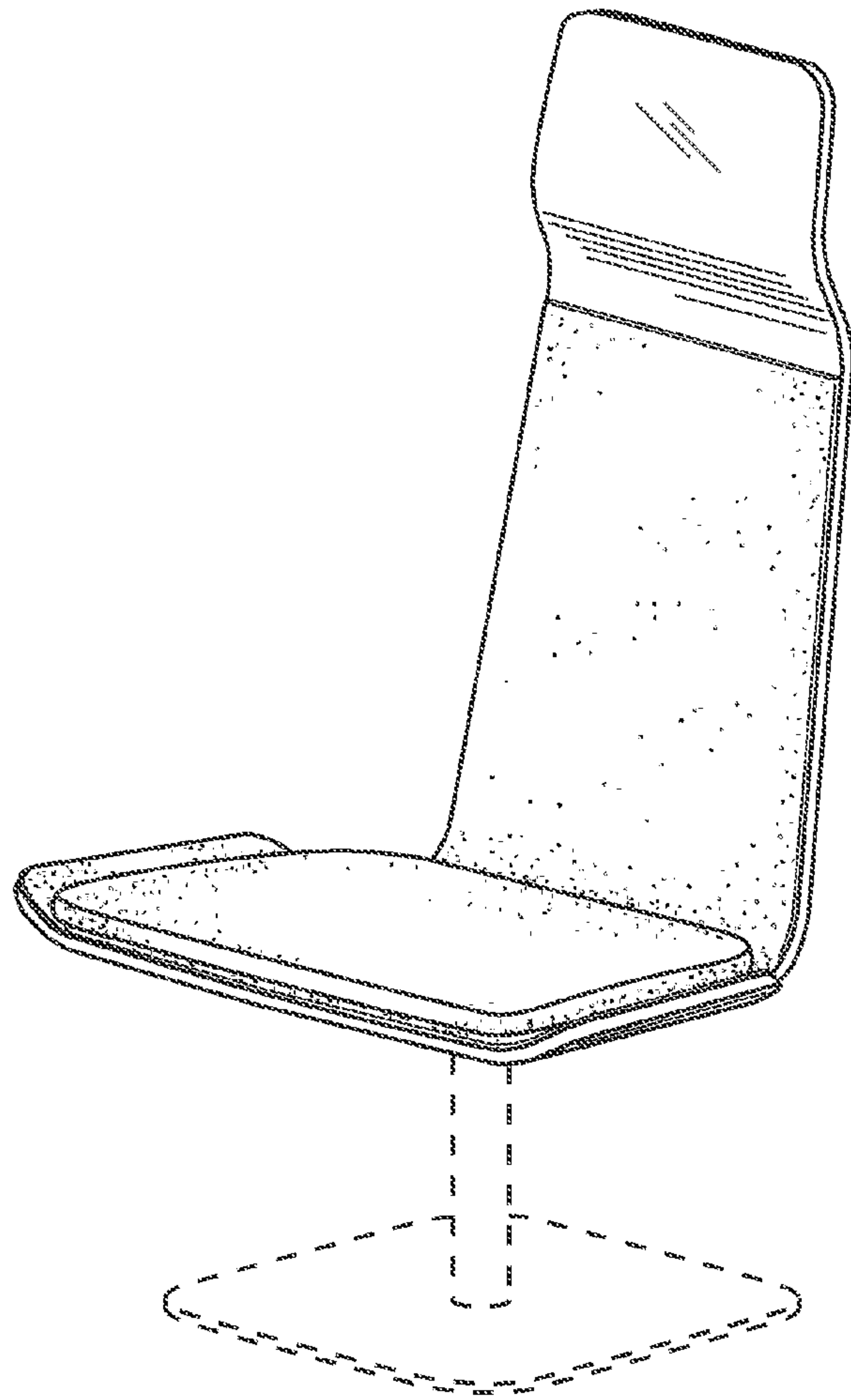


Fig. 31

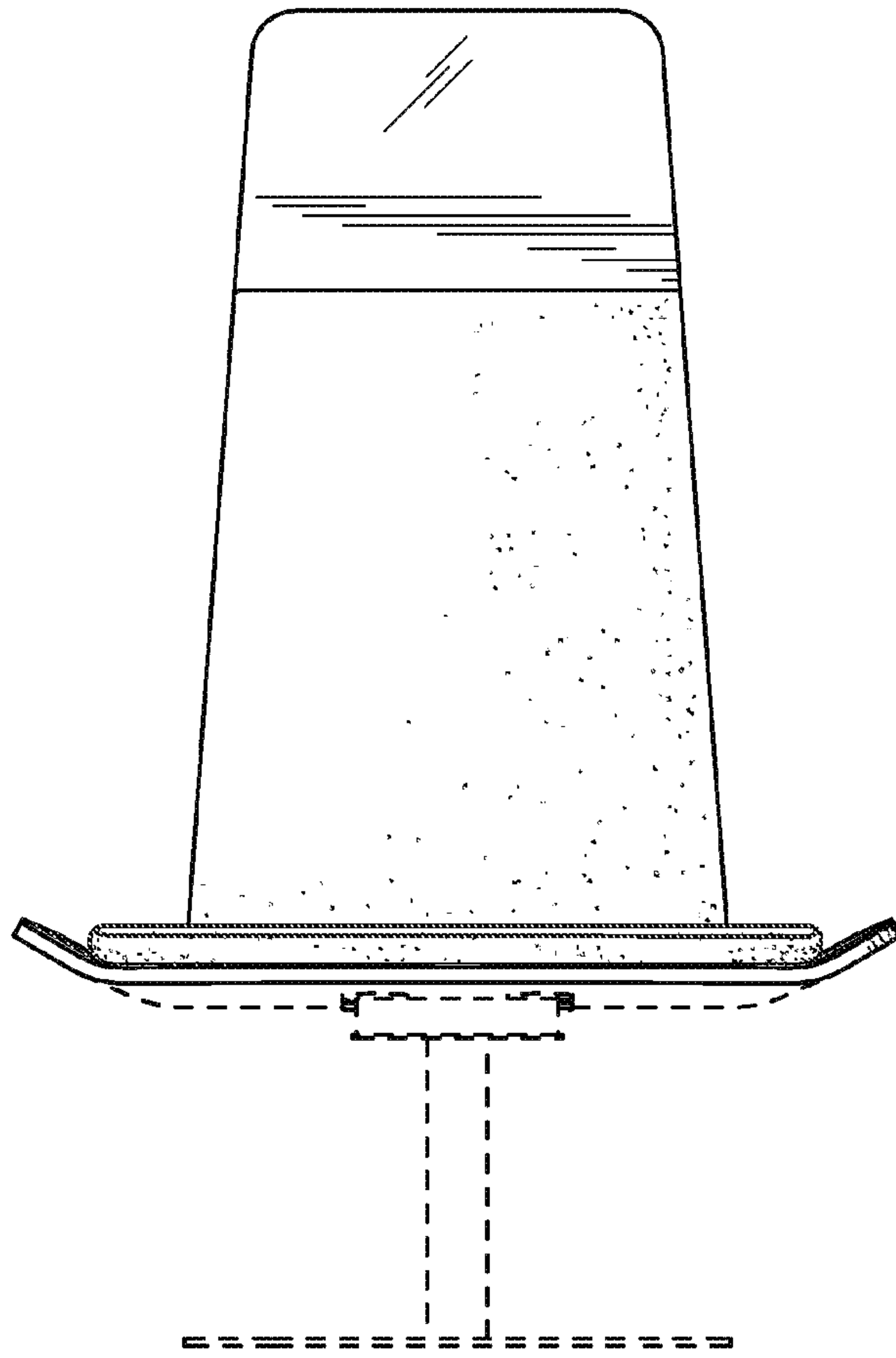


Fig. 32

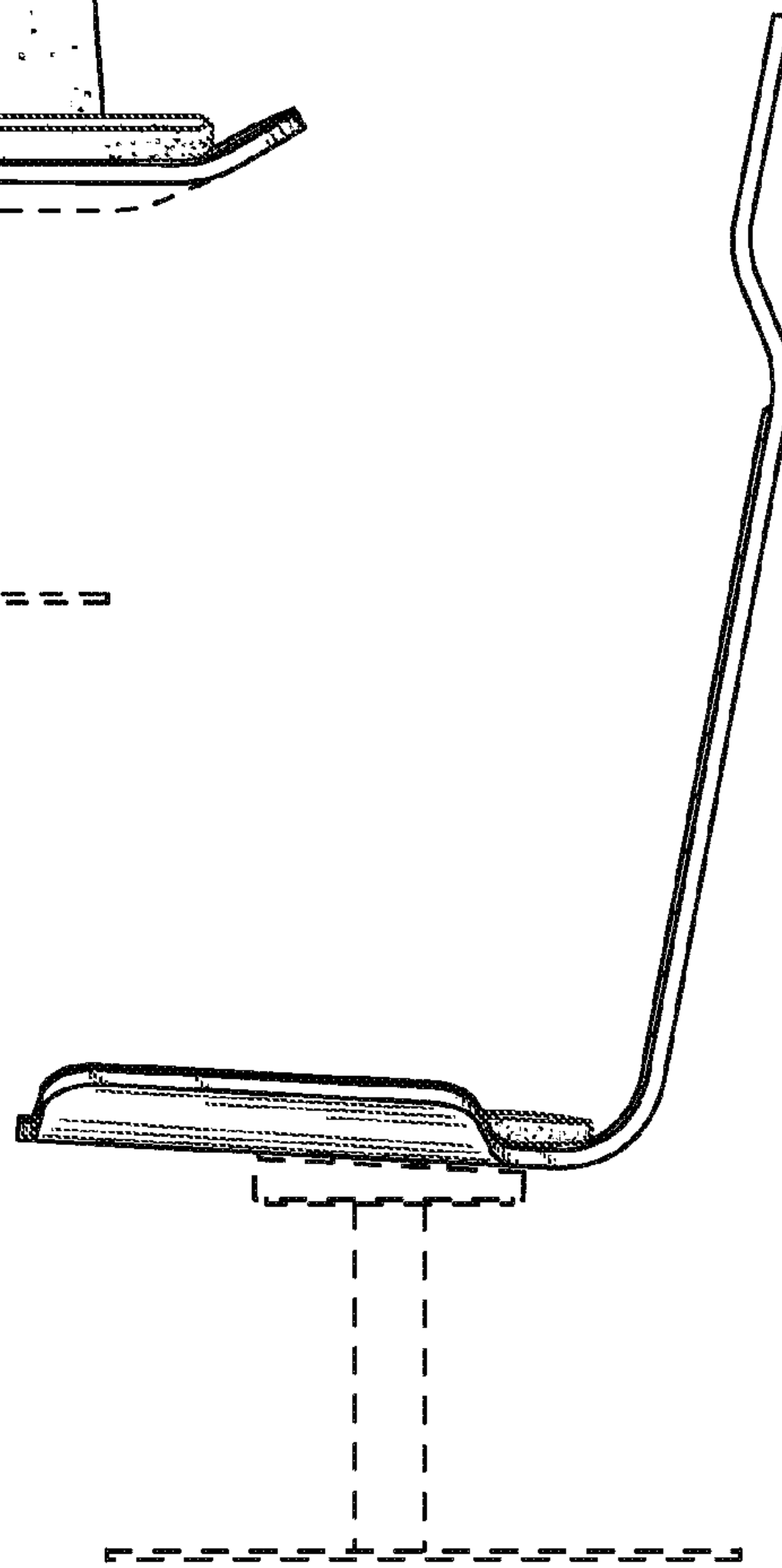


Fig. 33

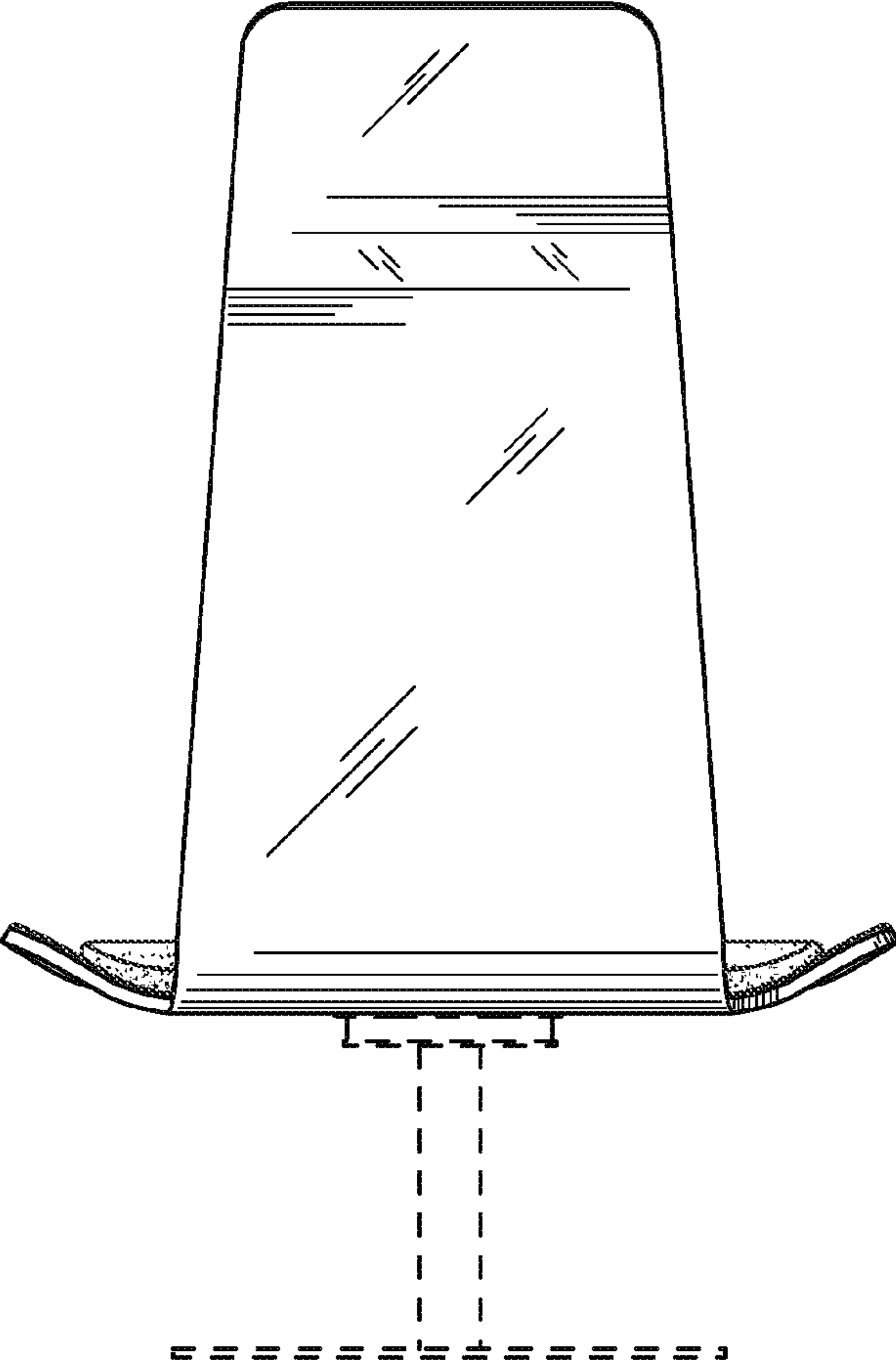


Fig. 34

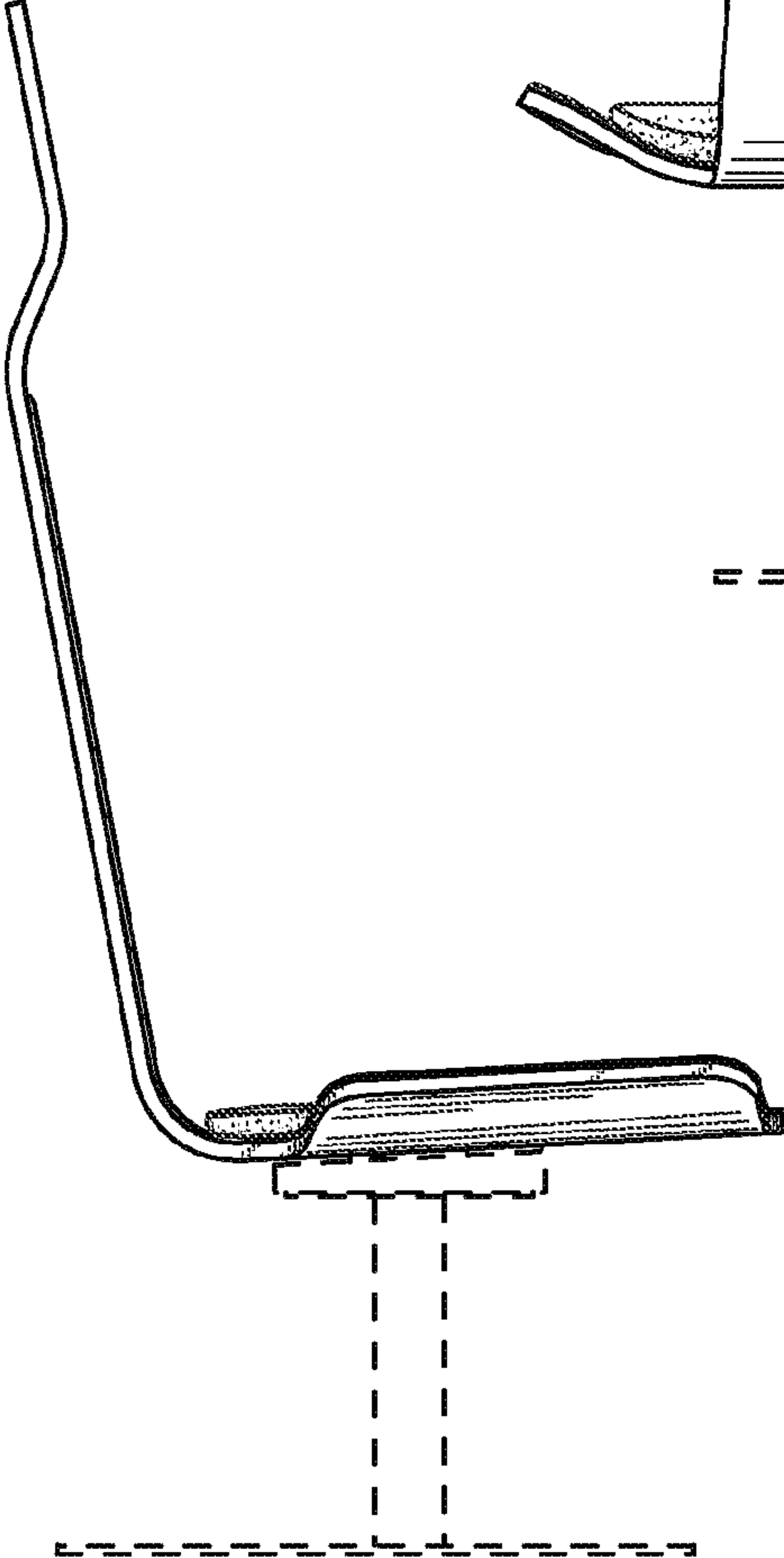


Fig. 35

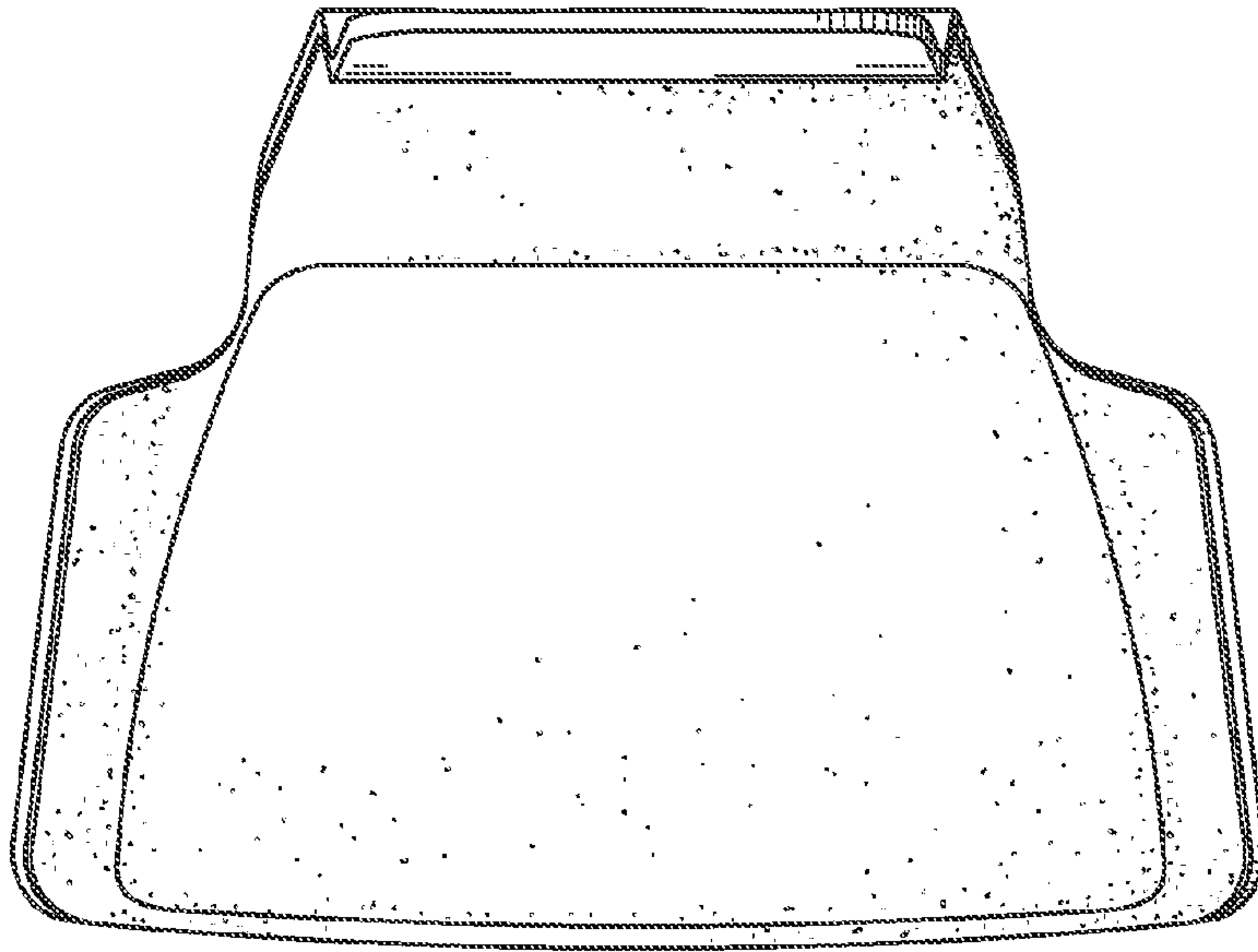


Fig. 36

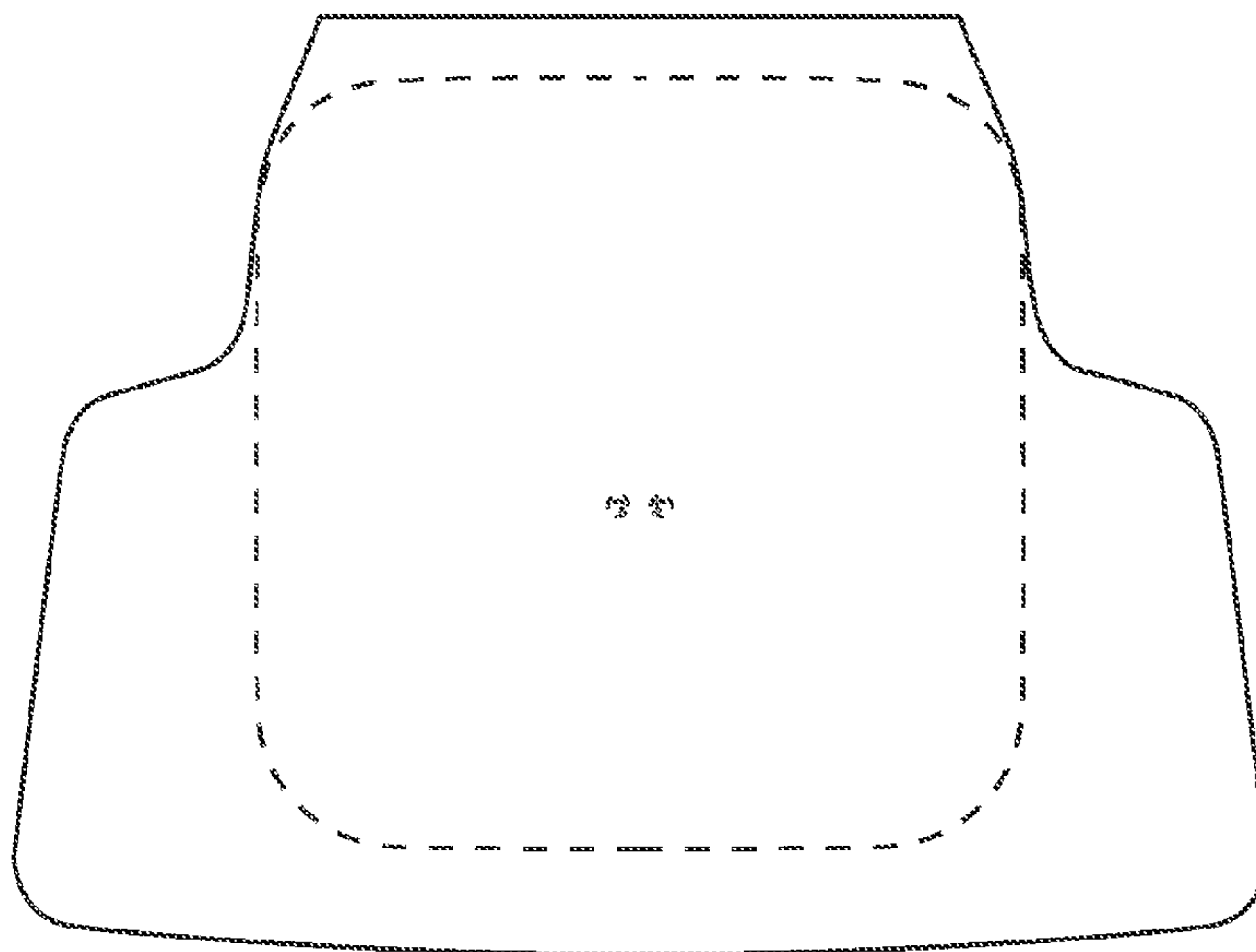


Fig. 37

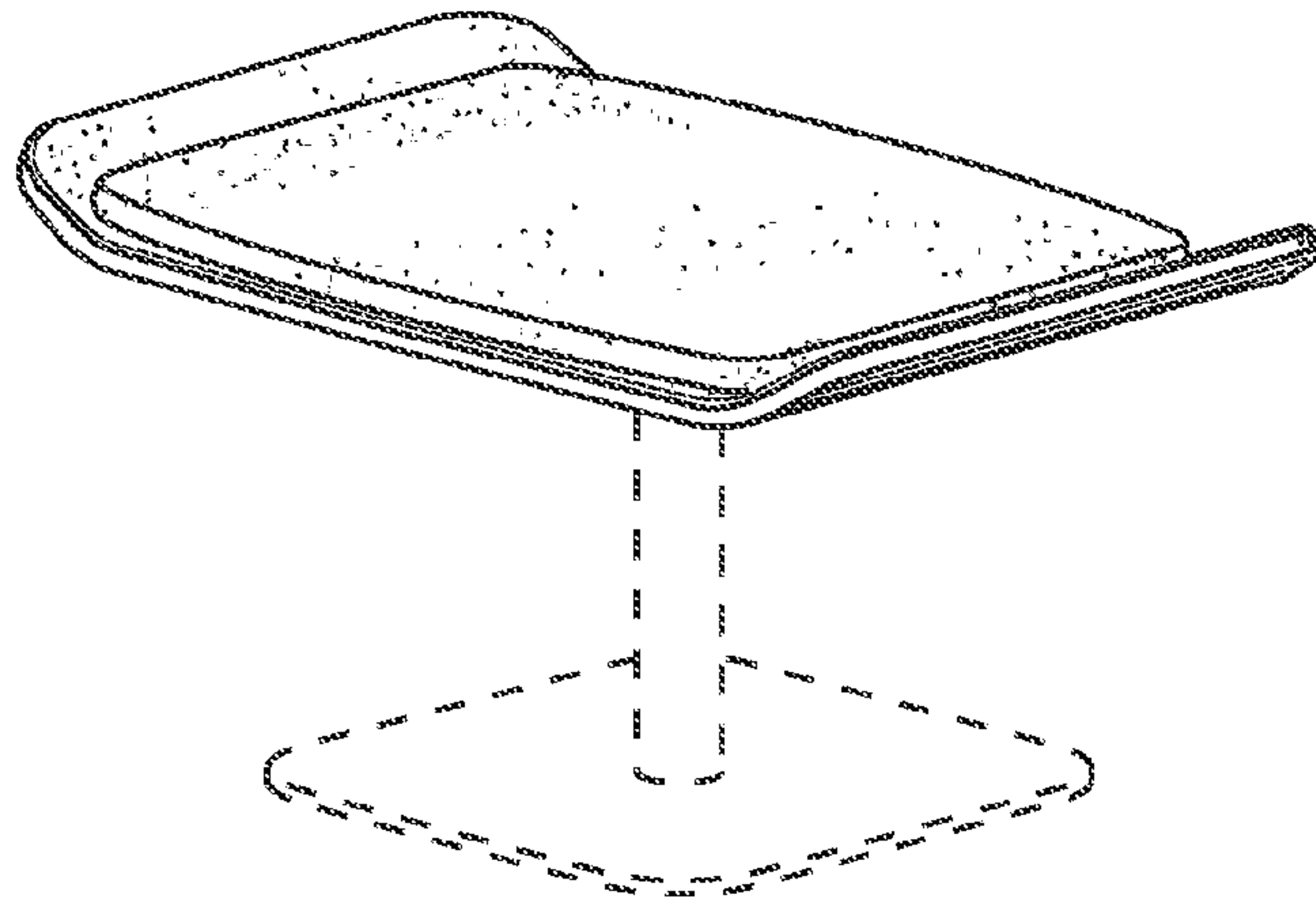


Fig. 38

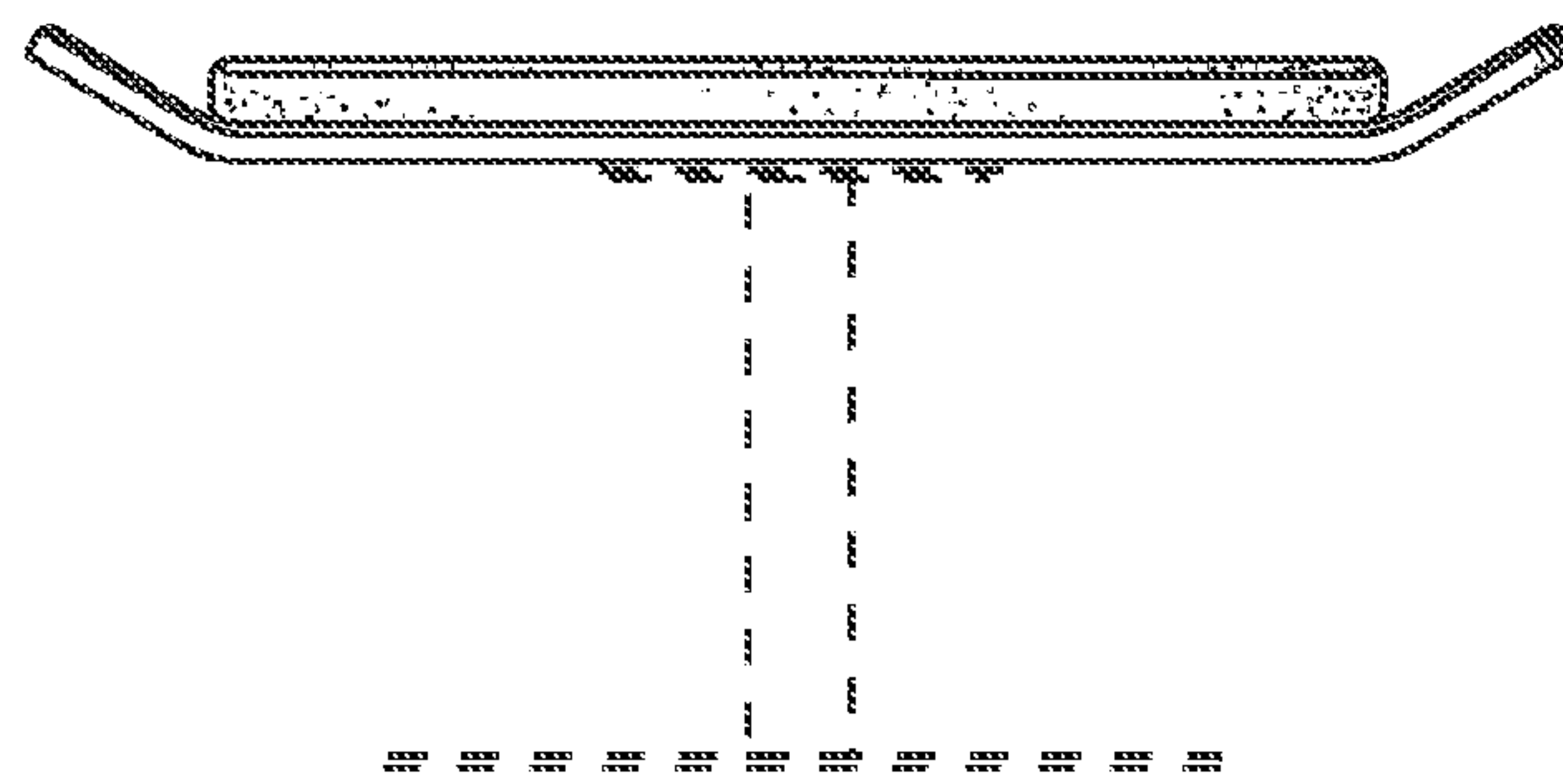


Fig. 39

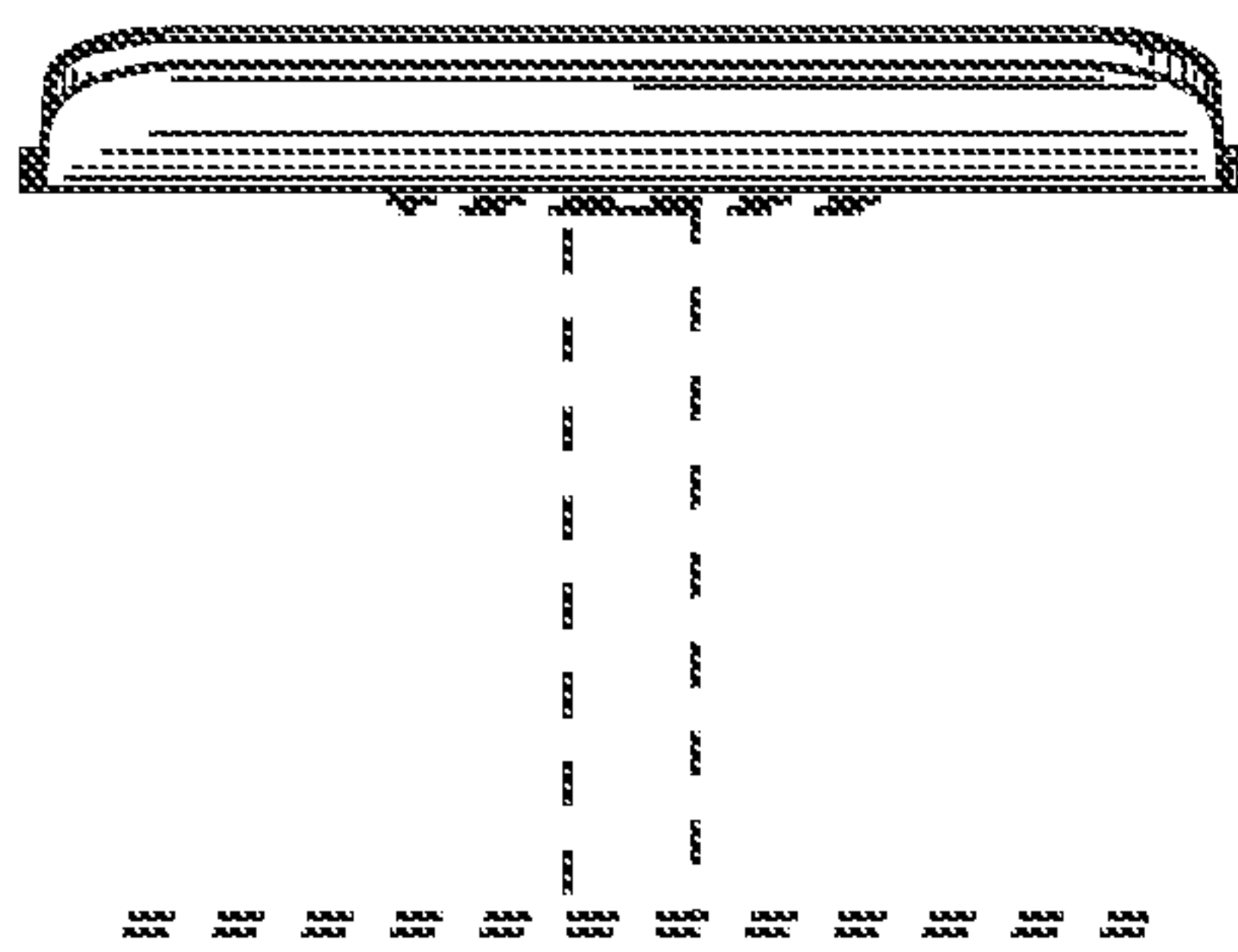


Fig. 40

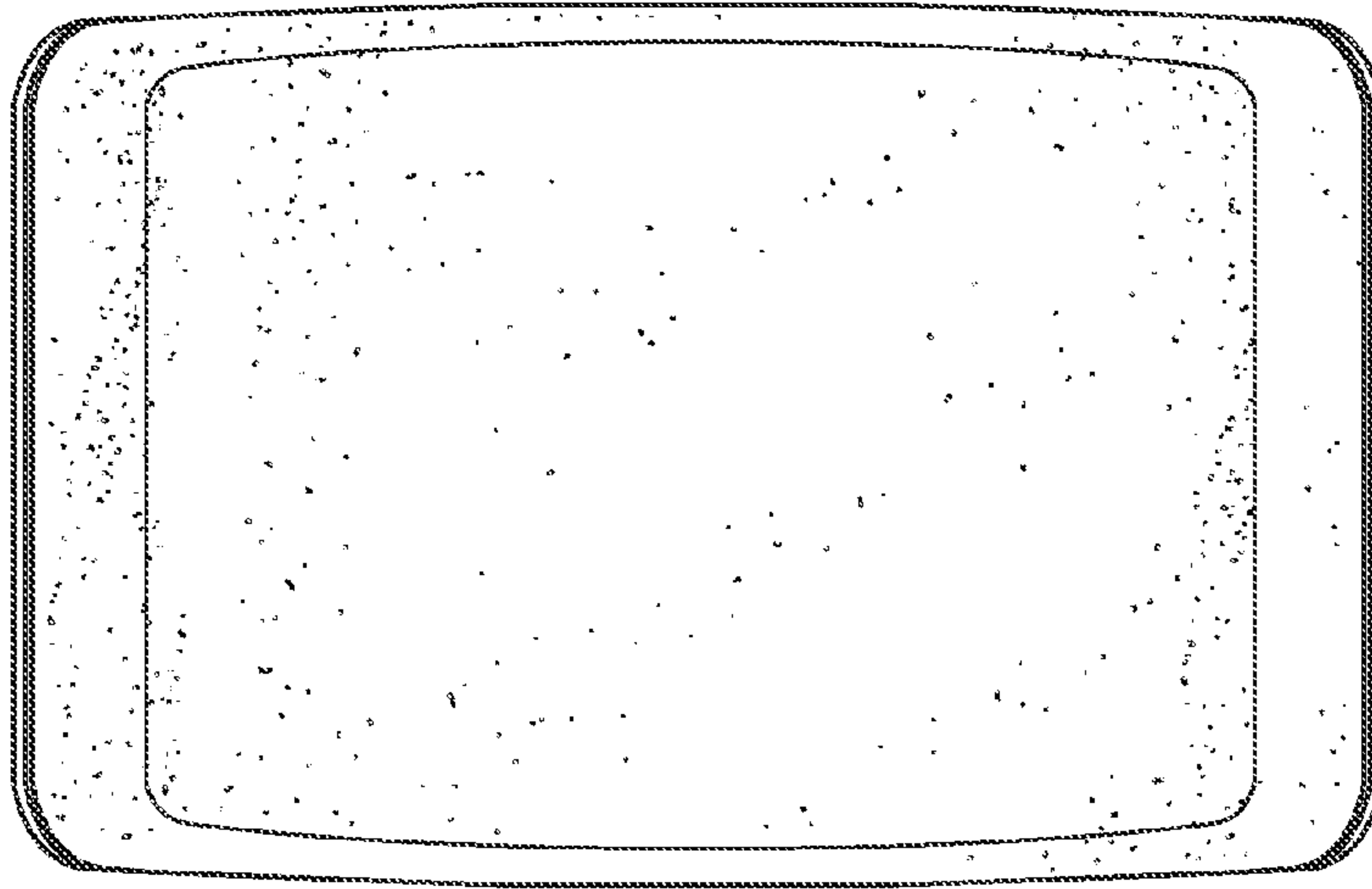


Fig. 41

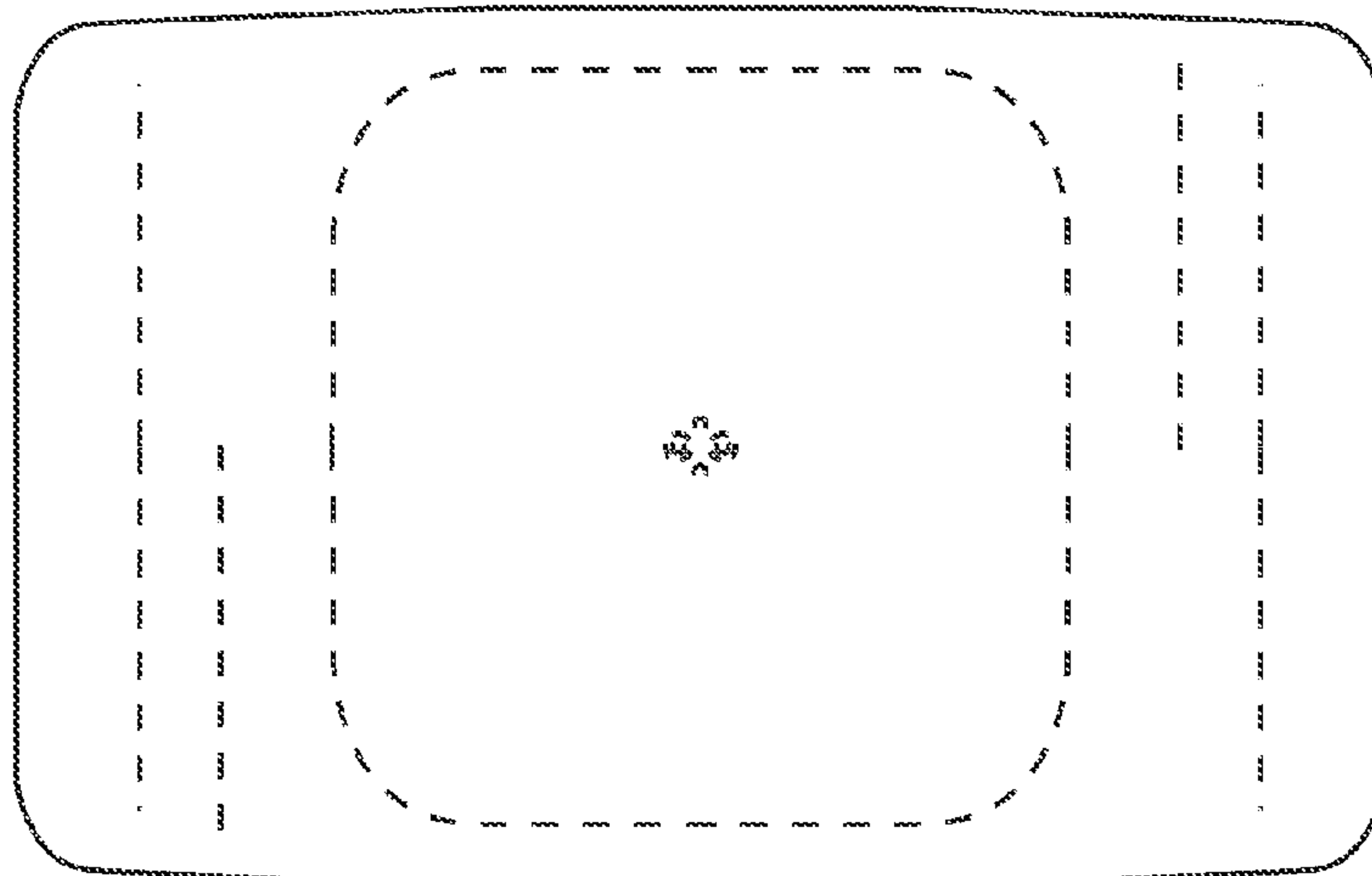


Fig. 42

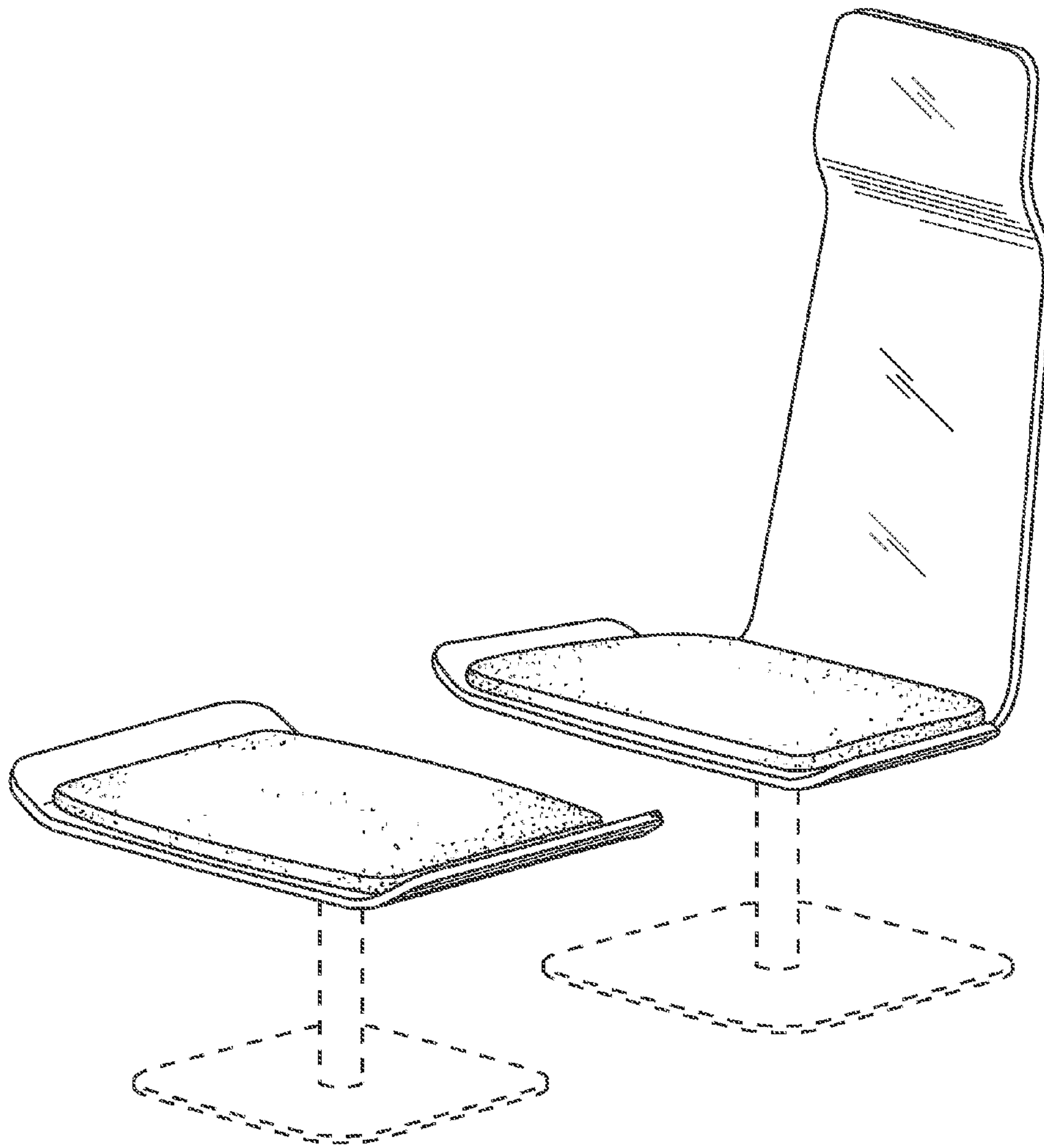


Fig. 43

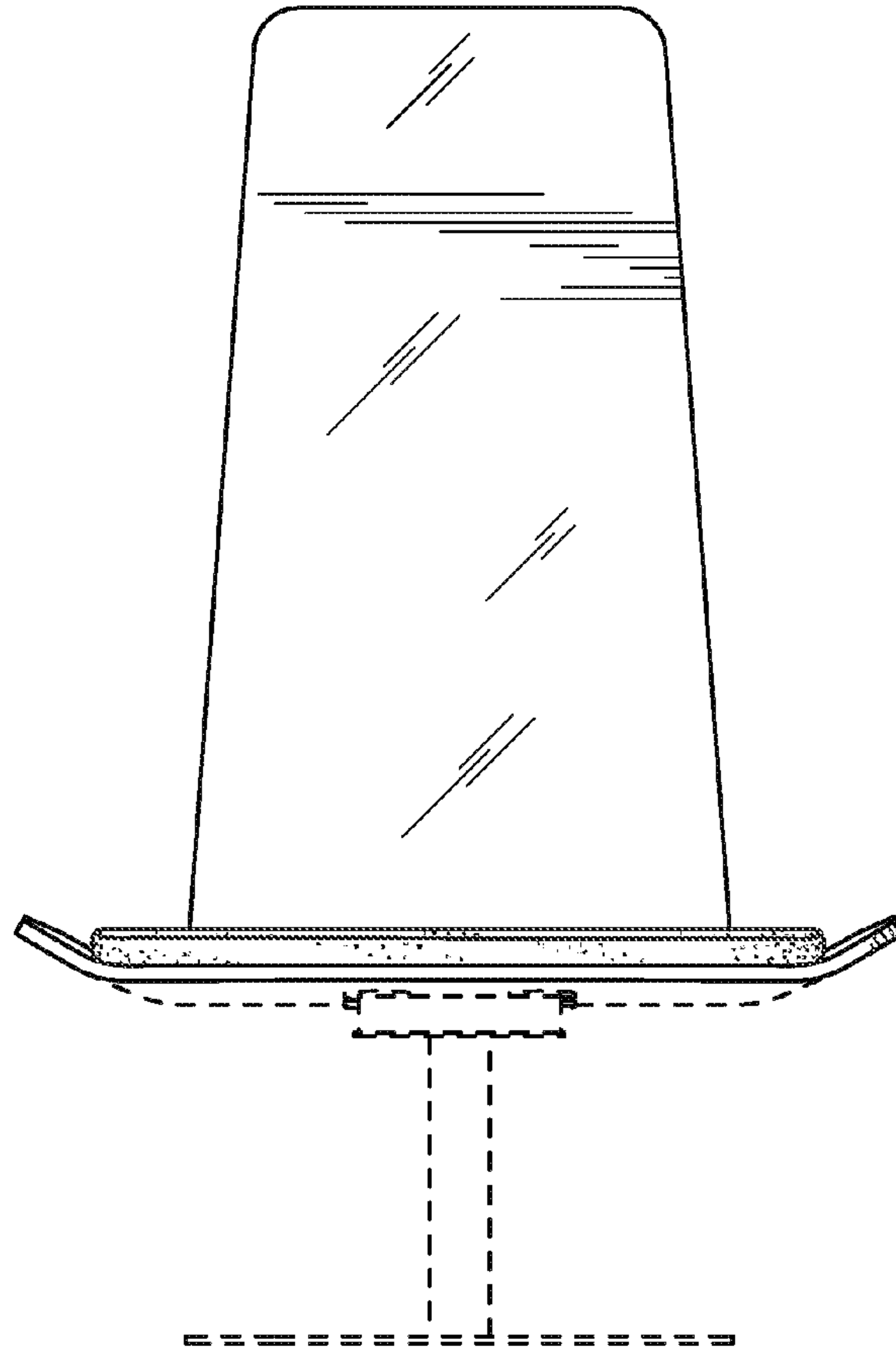


Fig. 44

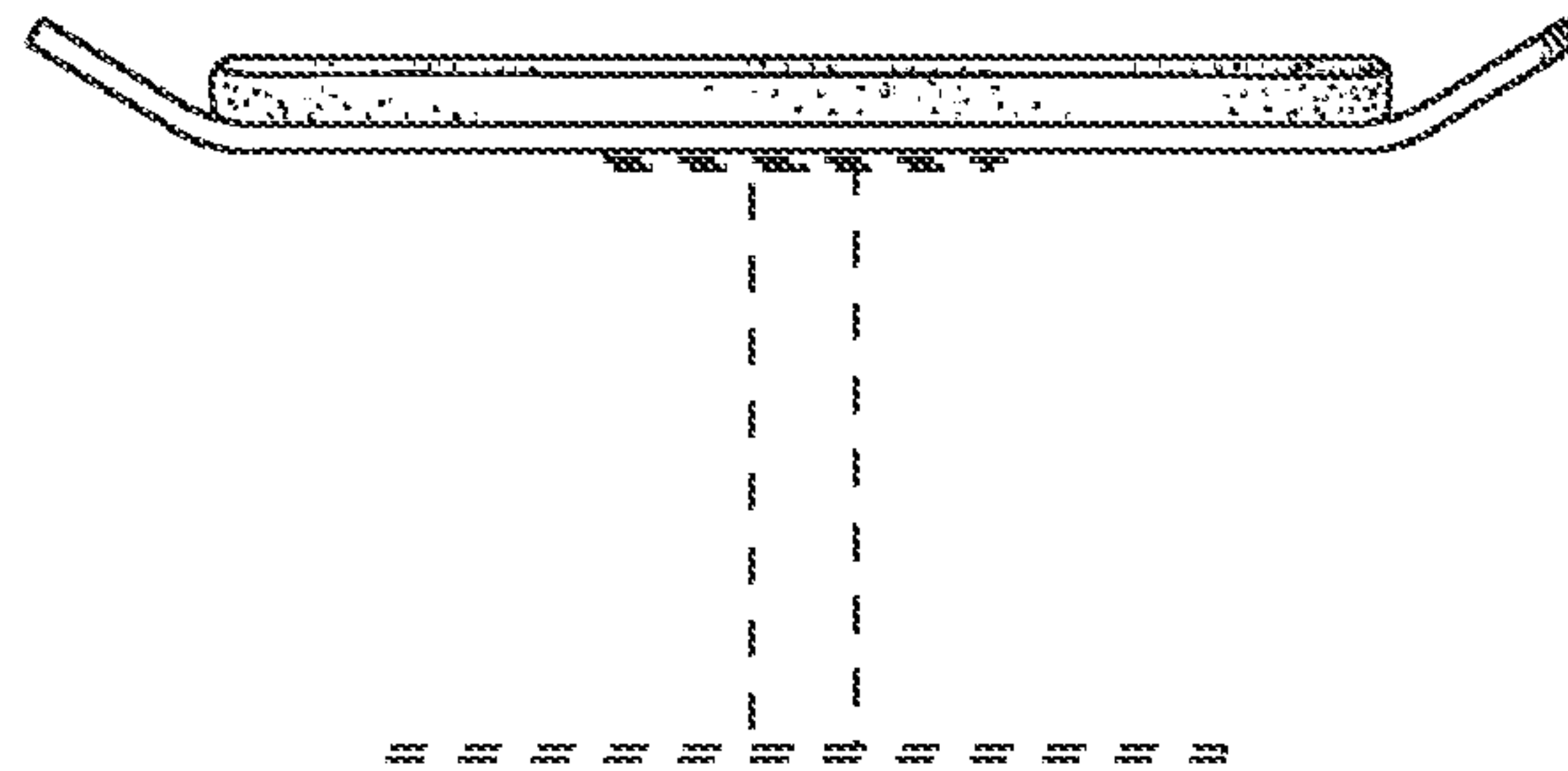


Fig. 45

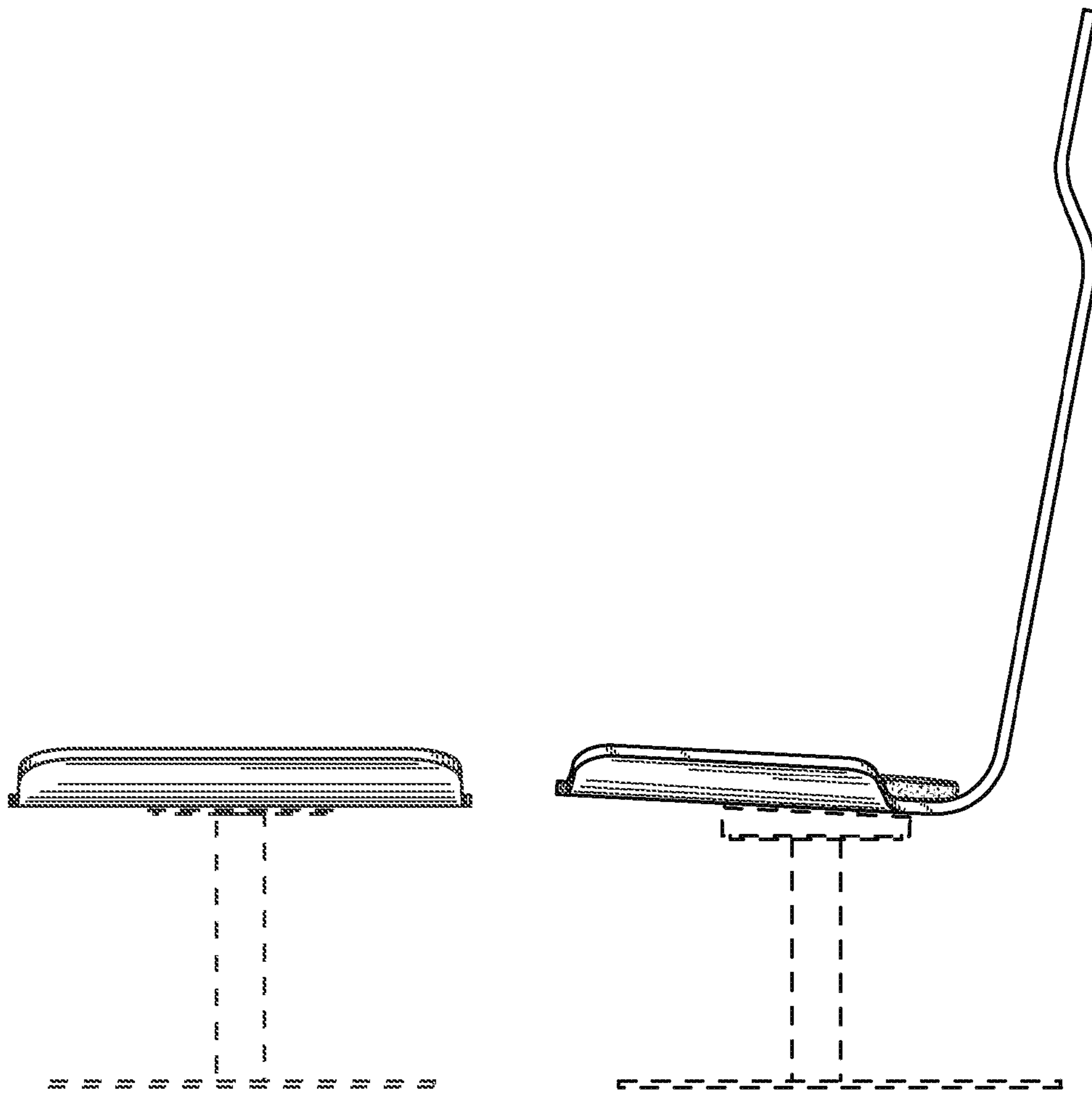


Fig. 46

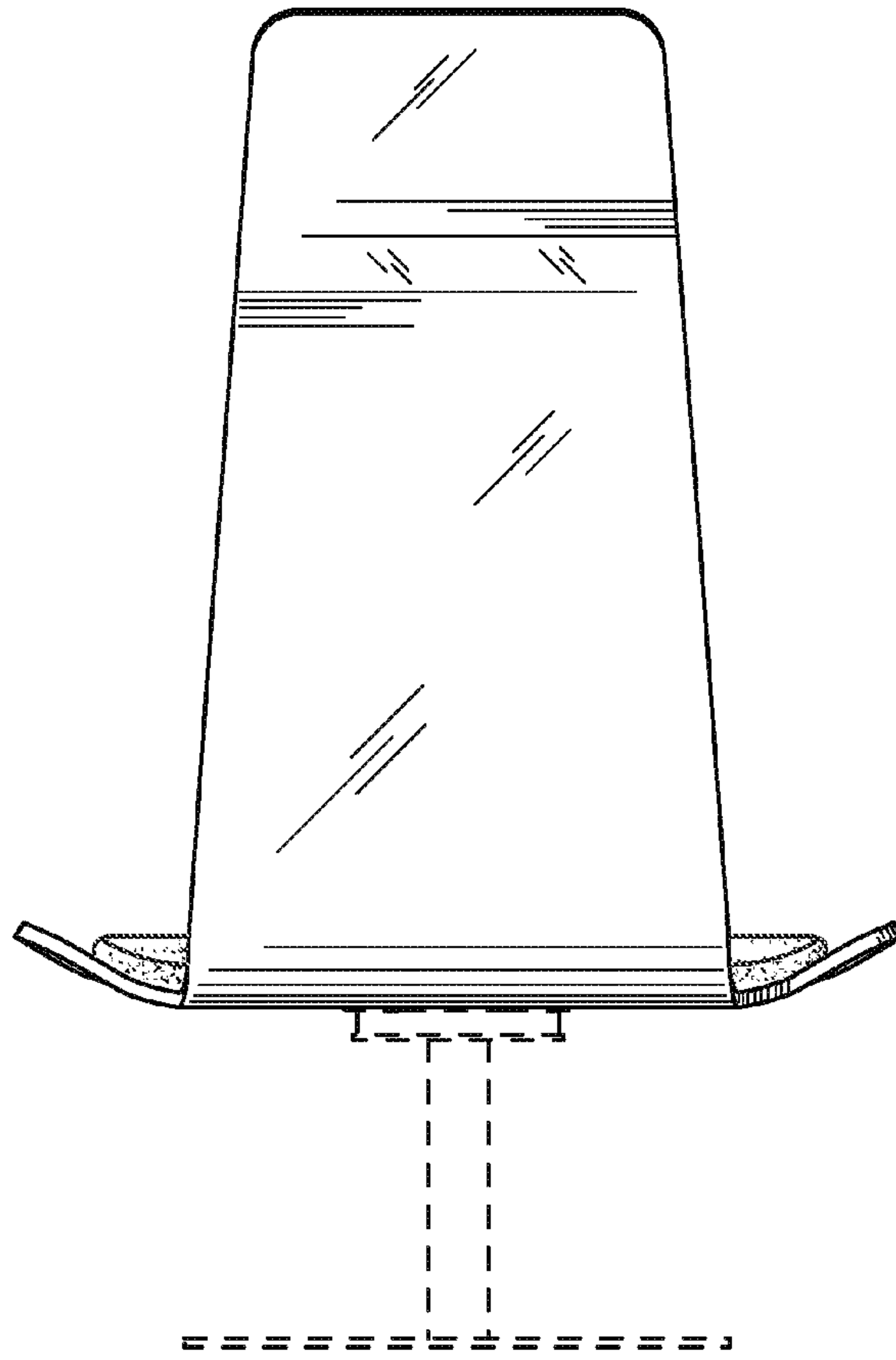


Fig. 47

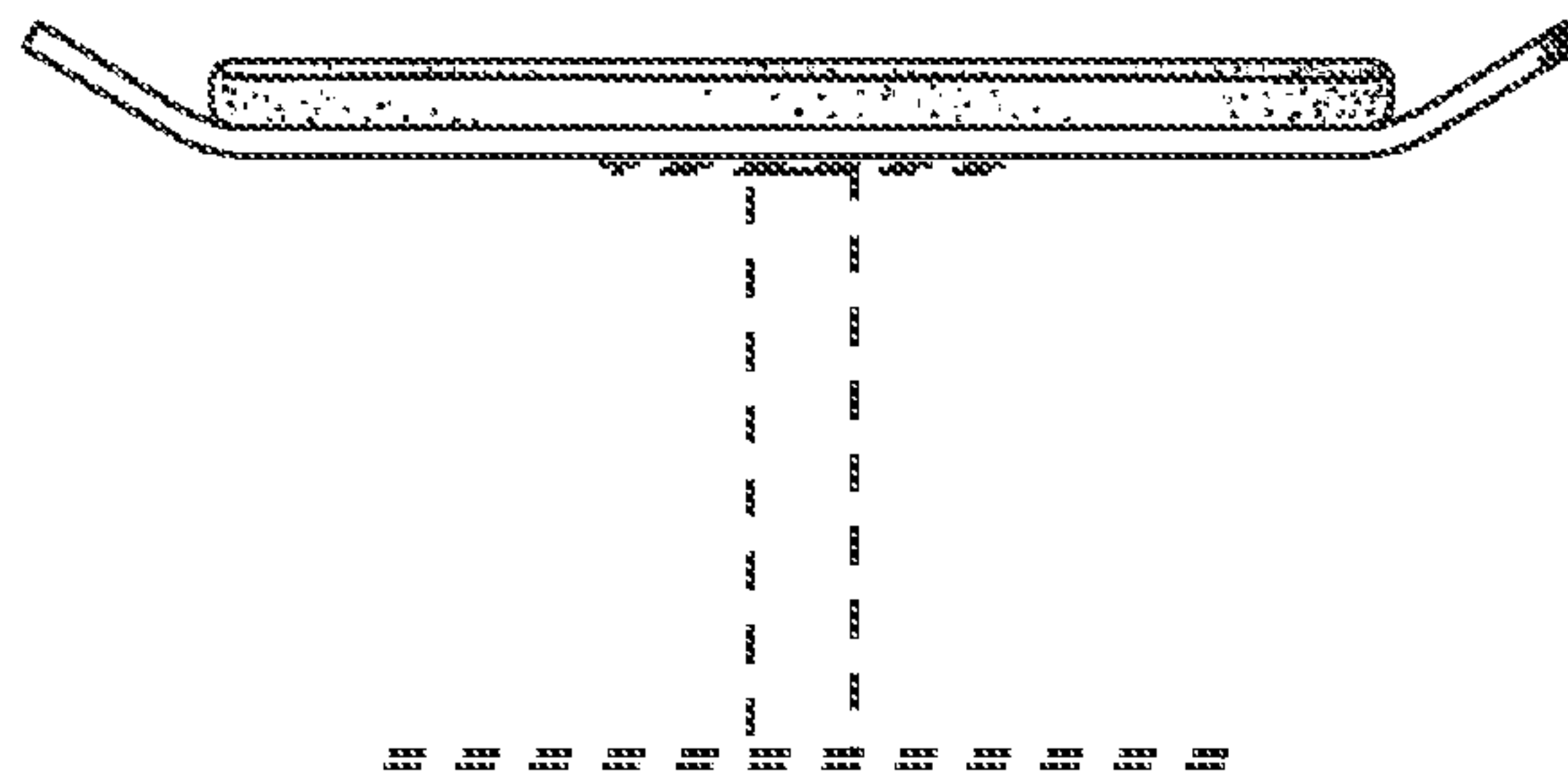


Fig. 48

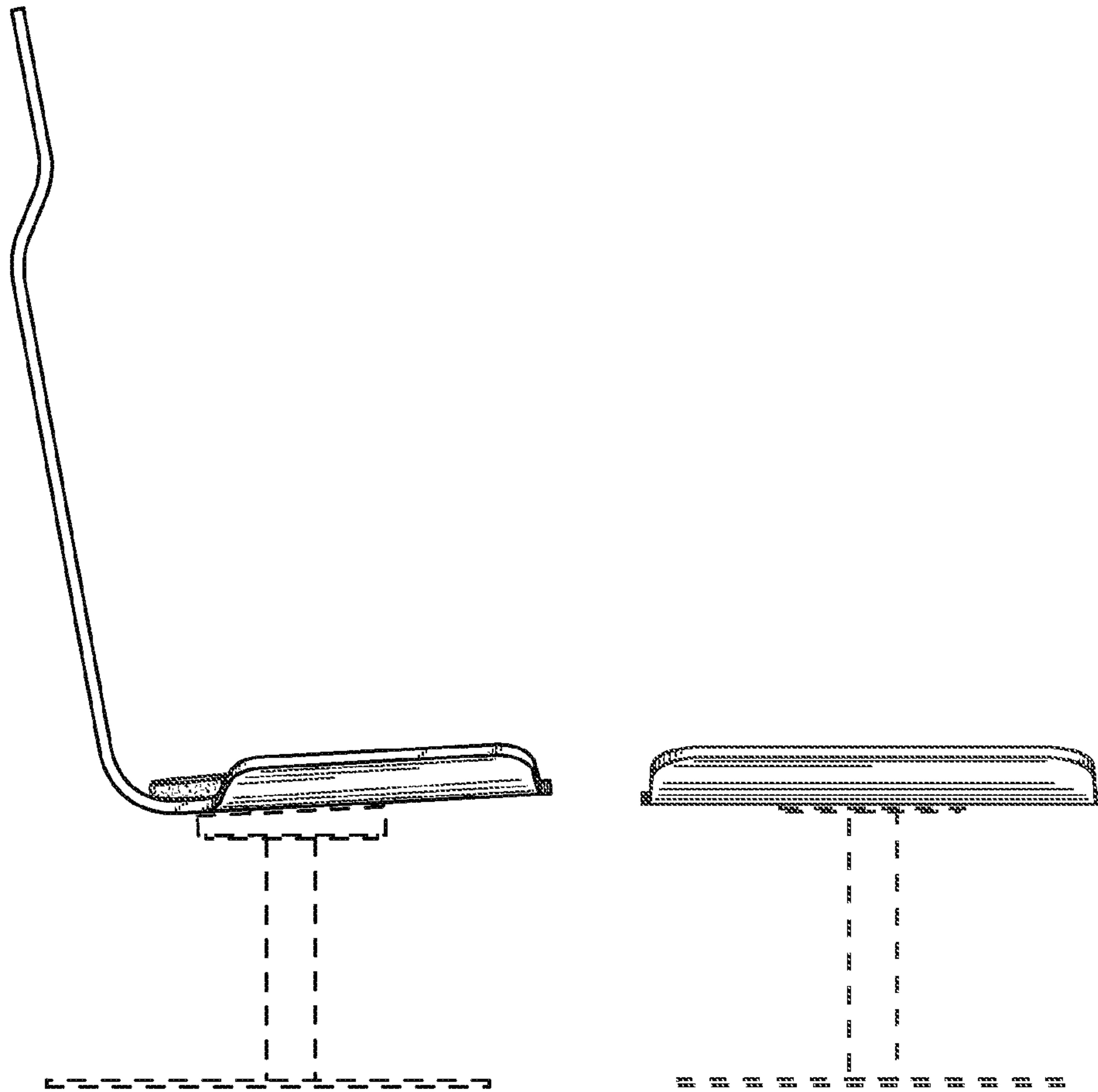


Fig. 49

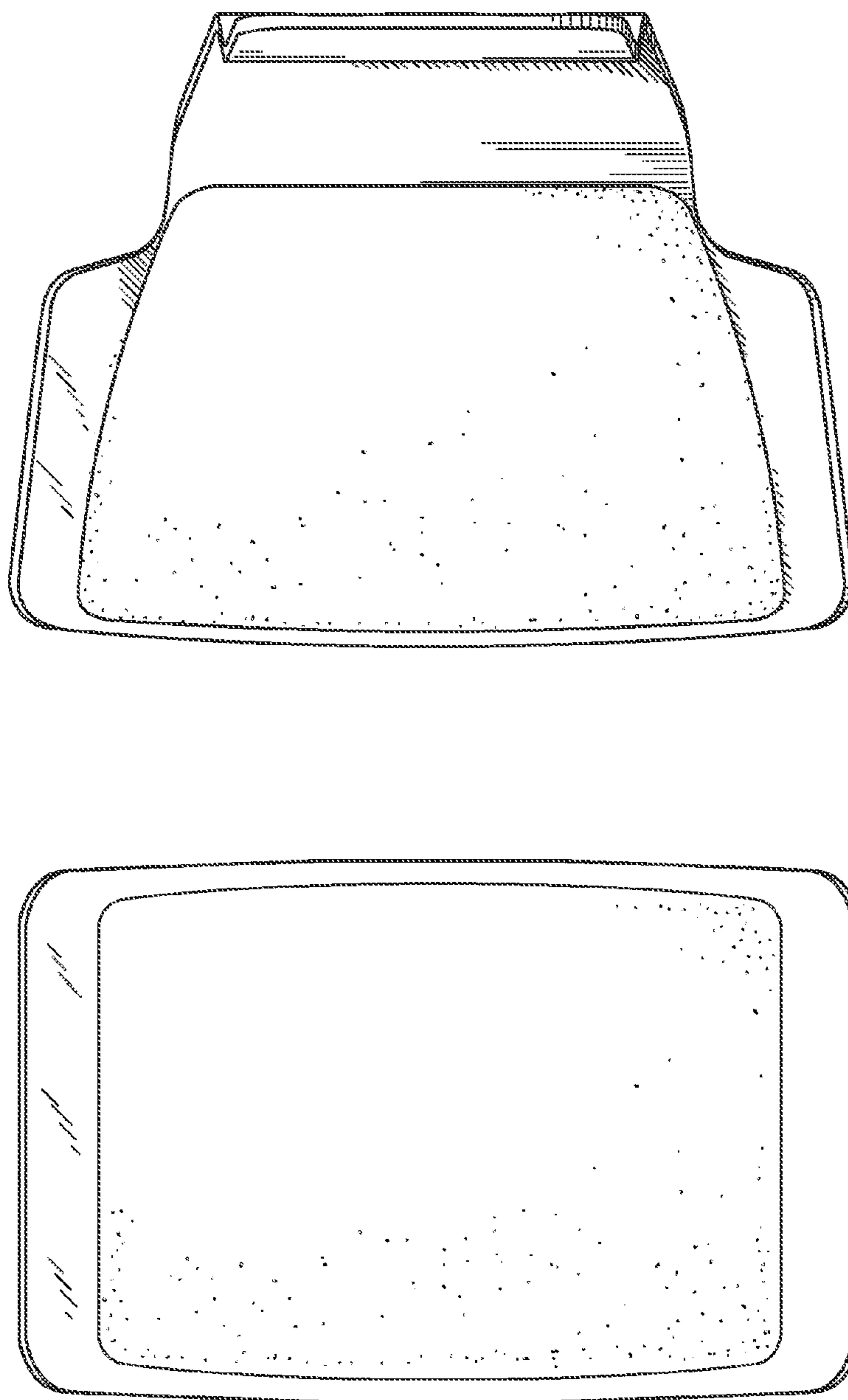


Fig. 50

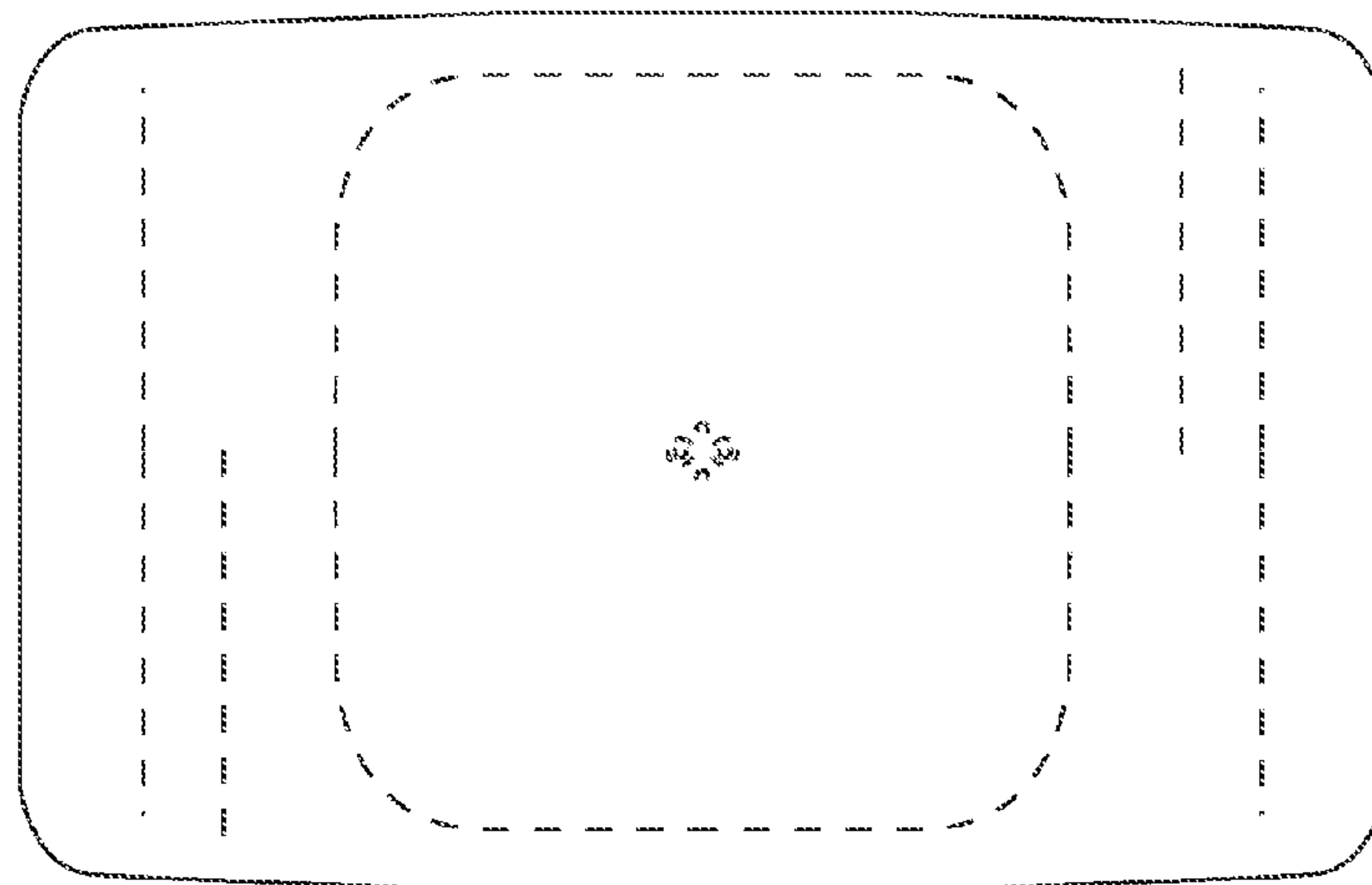
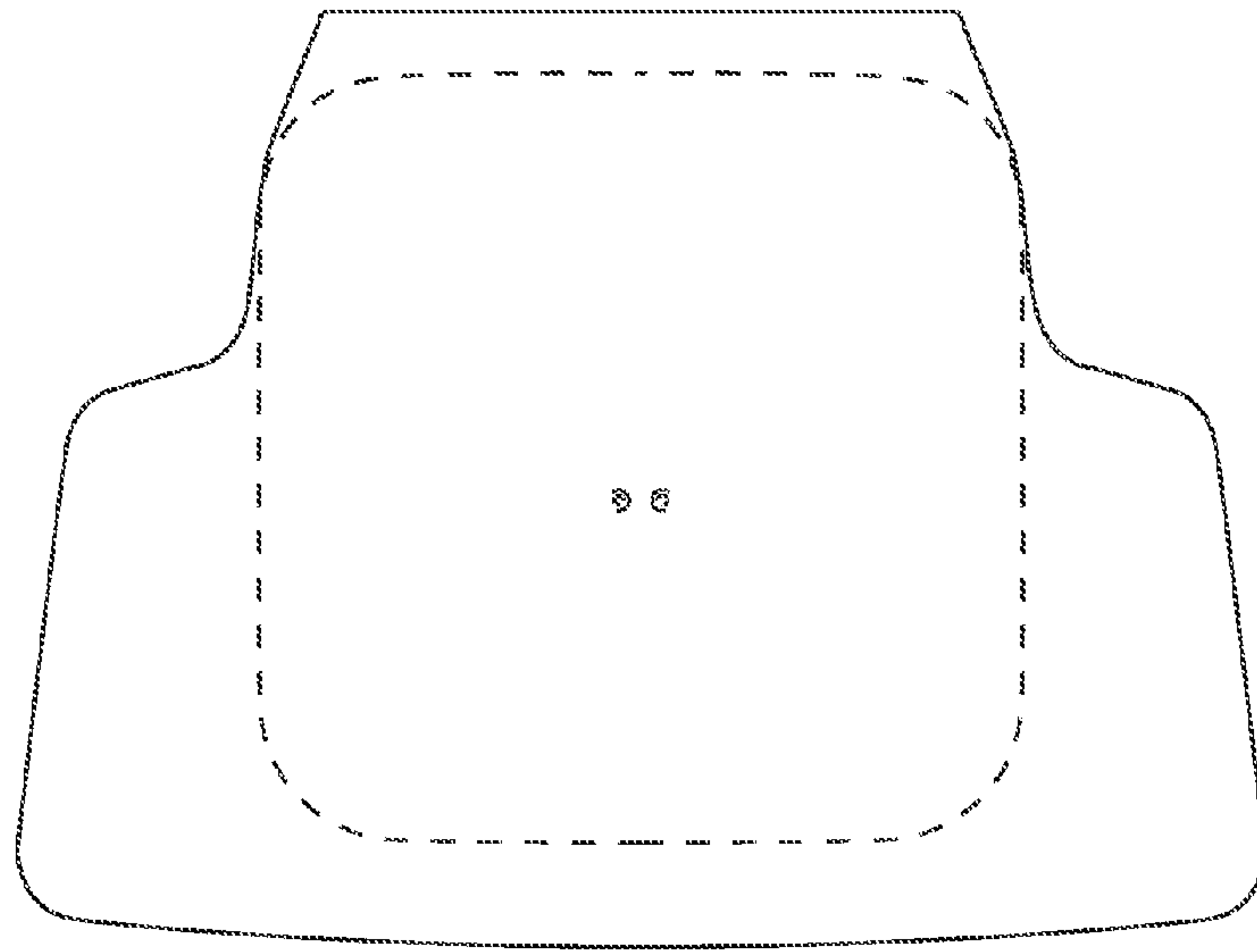


Fig. 51

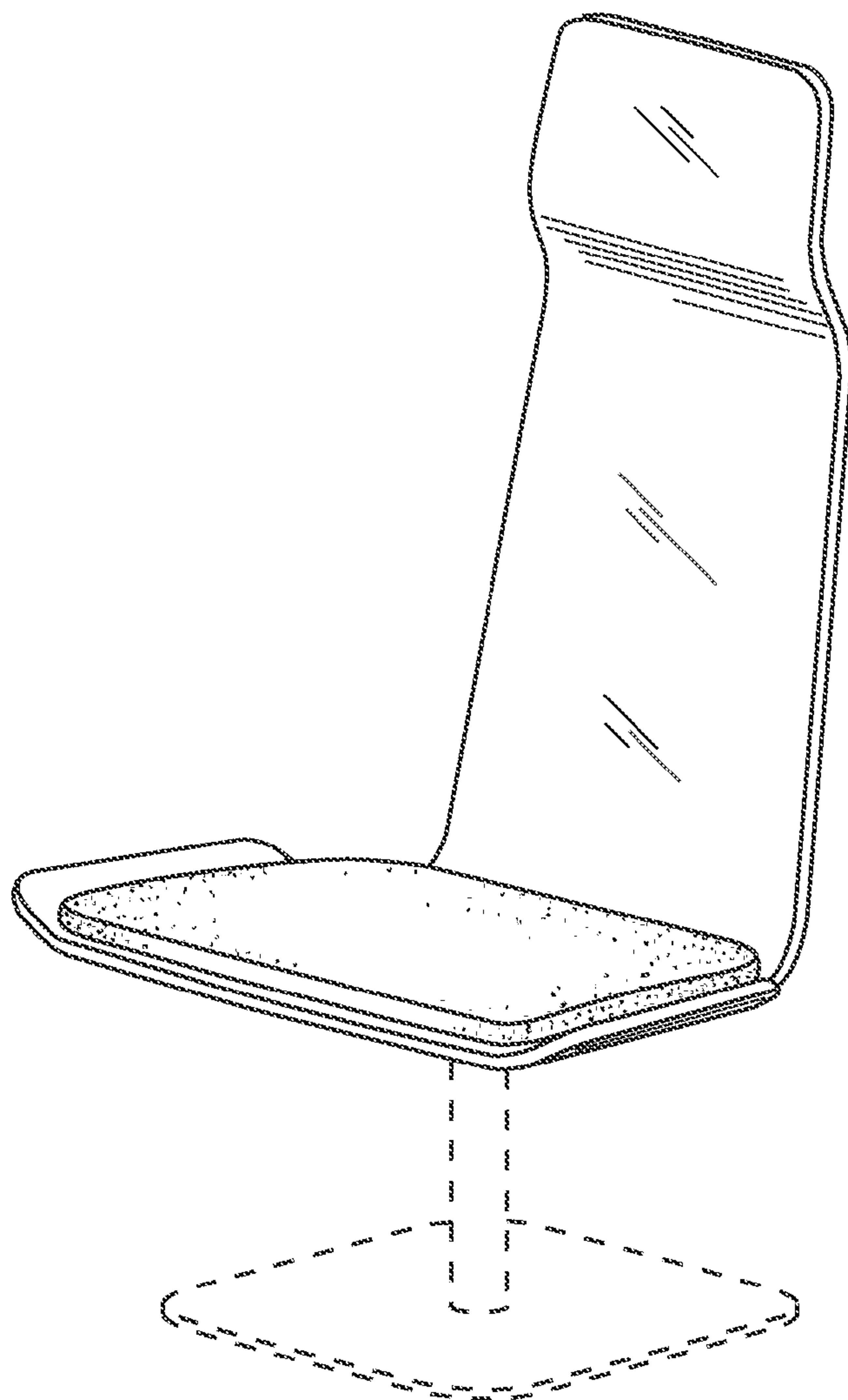


Fig. 52

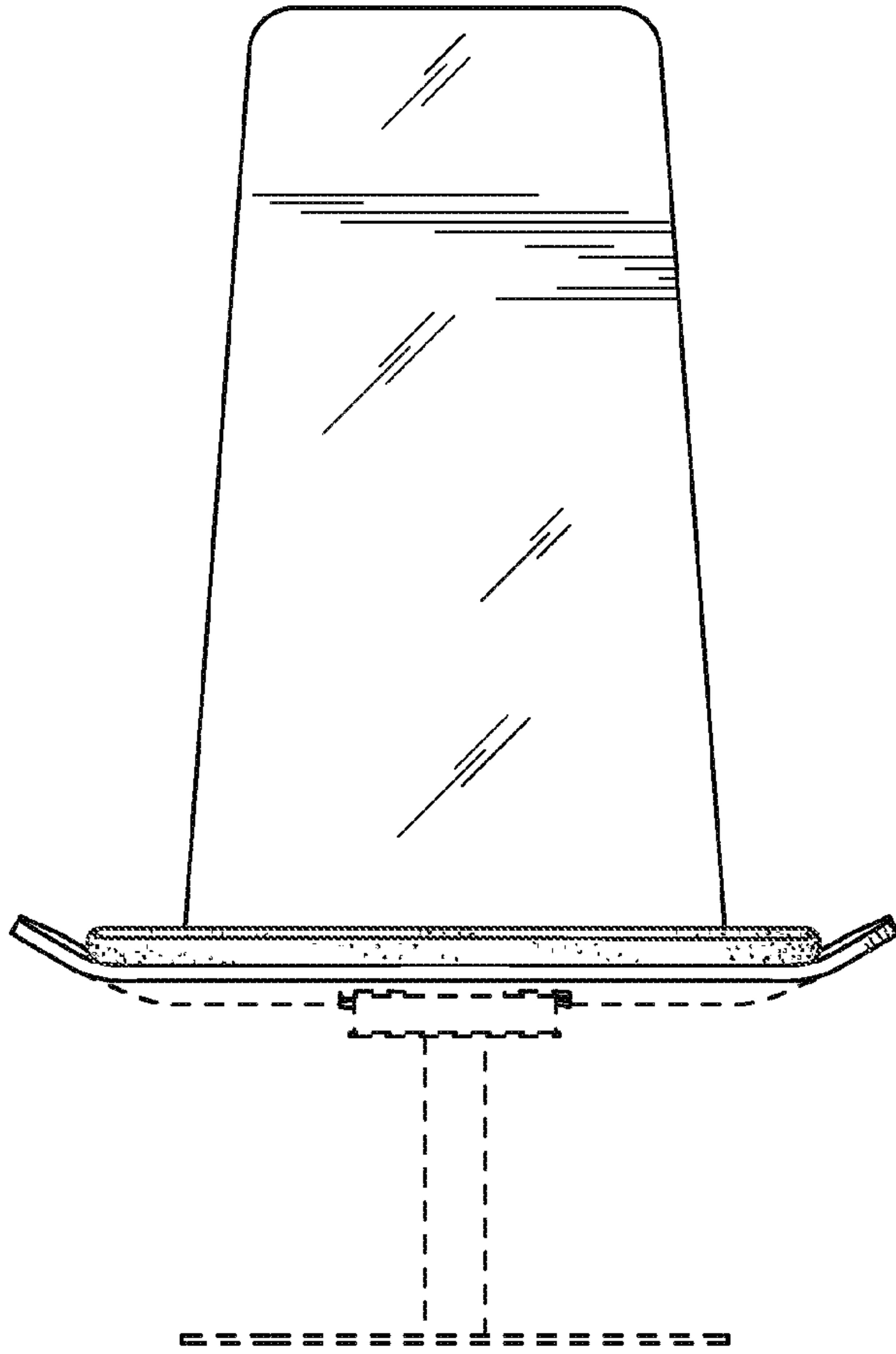


Fig. 53

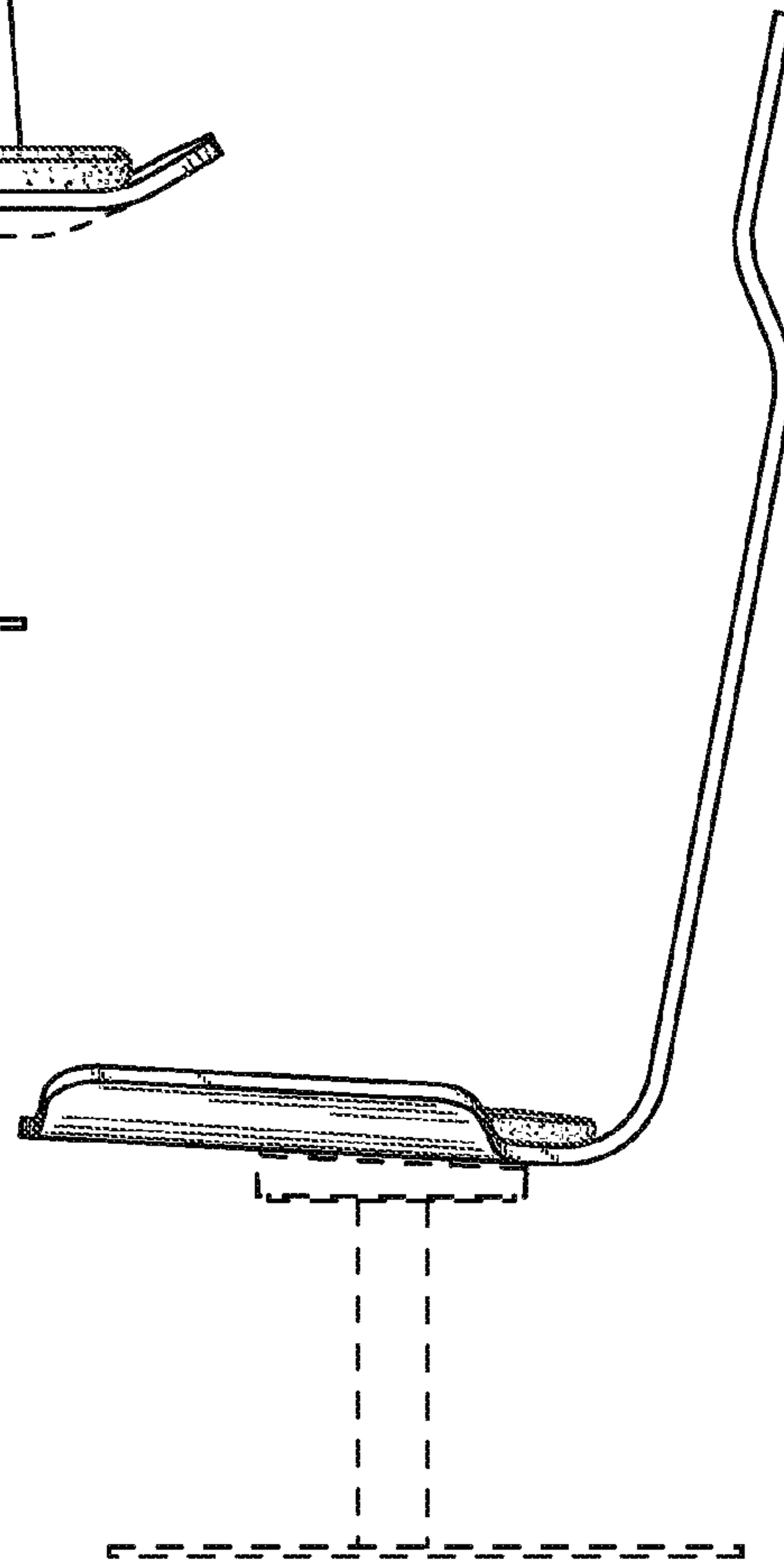


Fig. 54

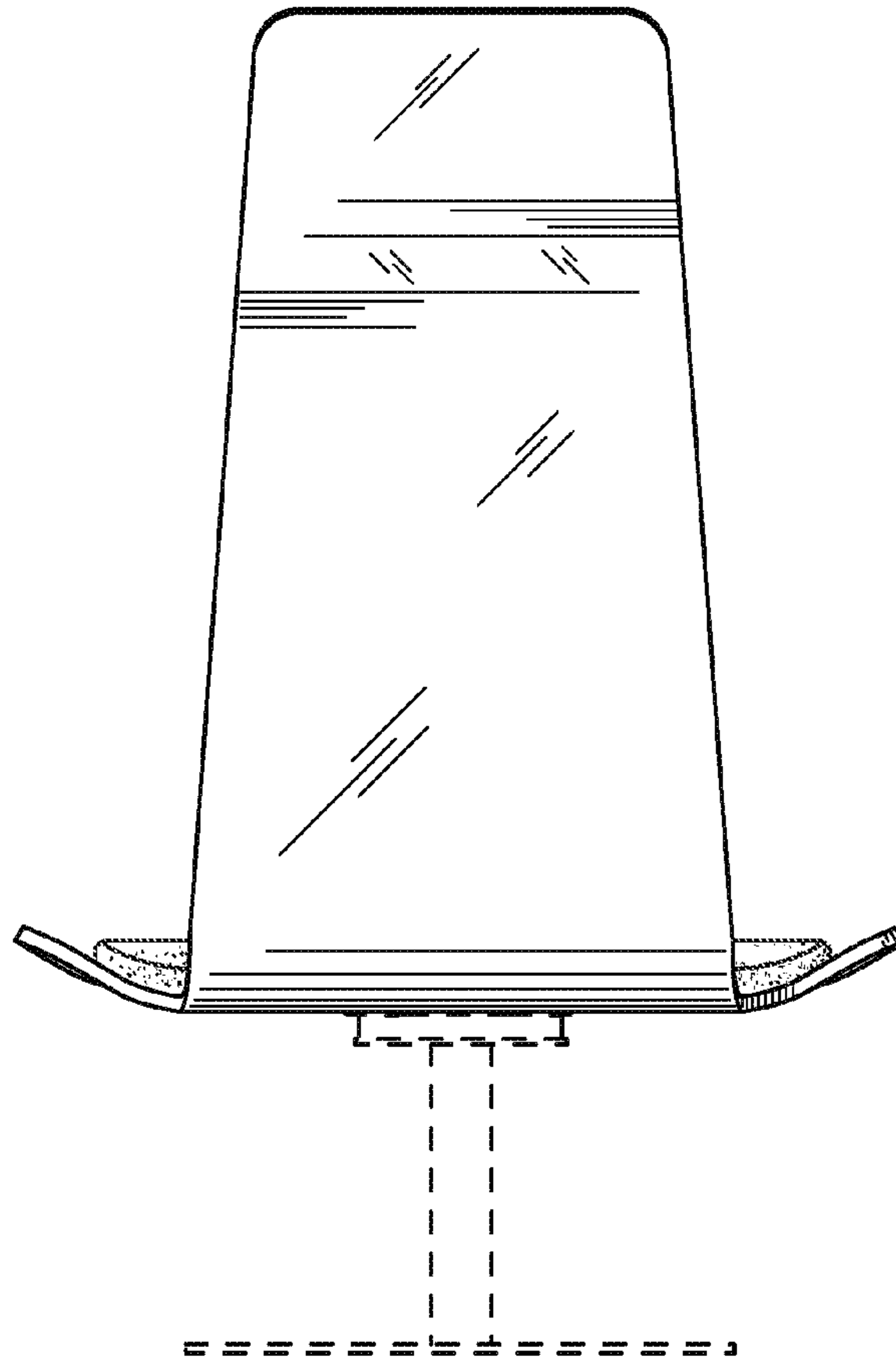


Fig. 55

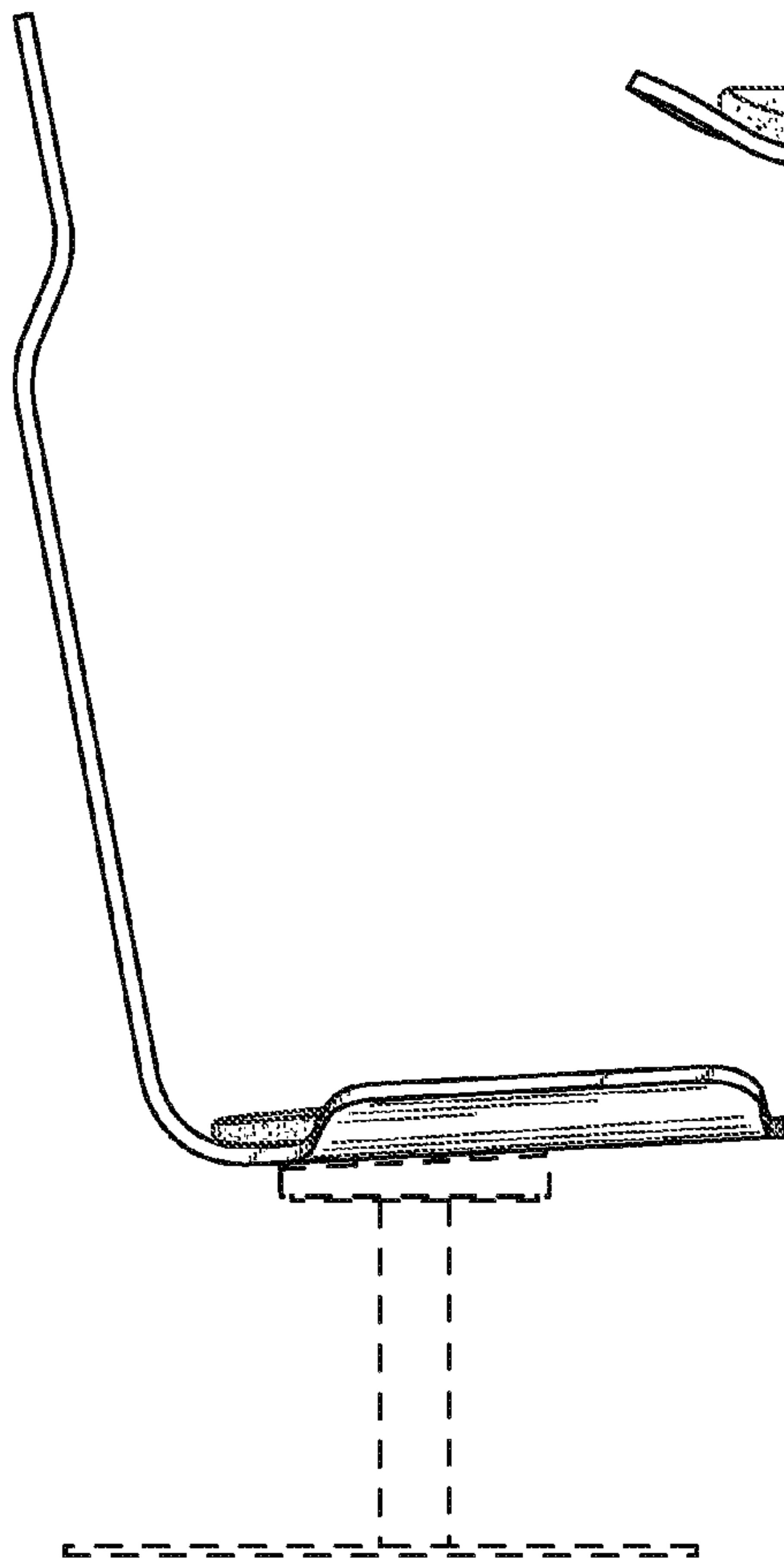


Fig. 56

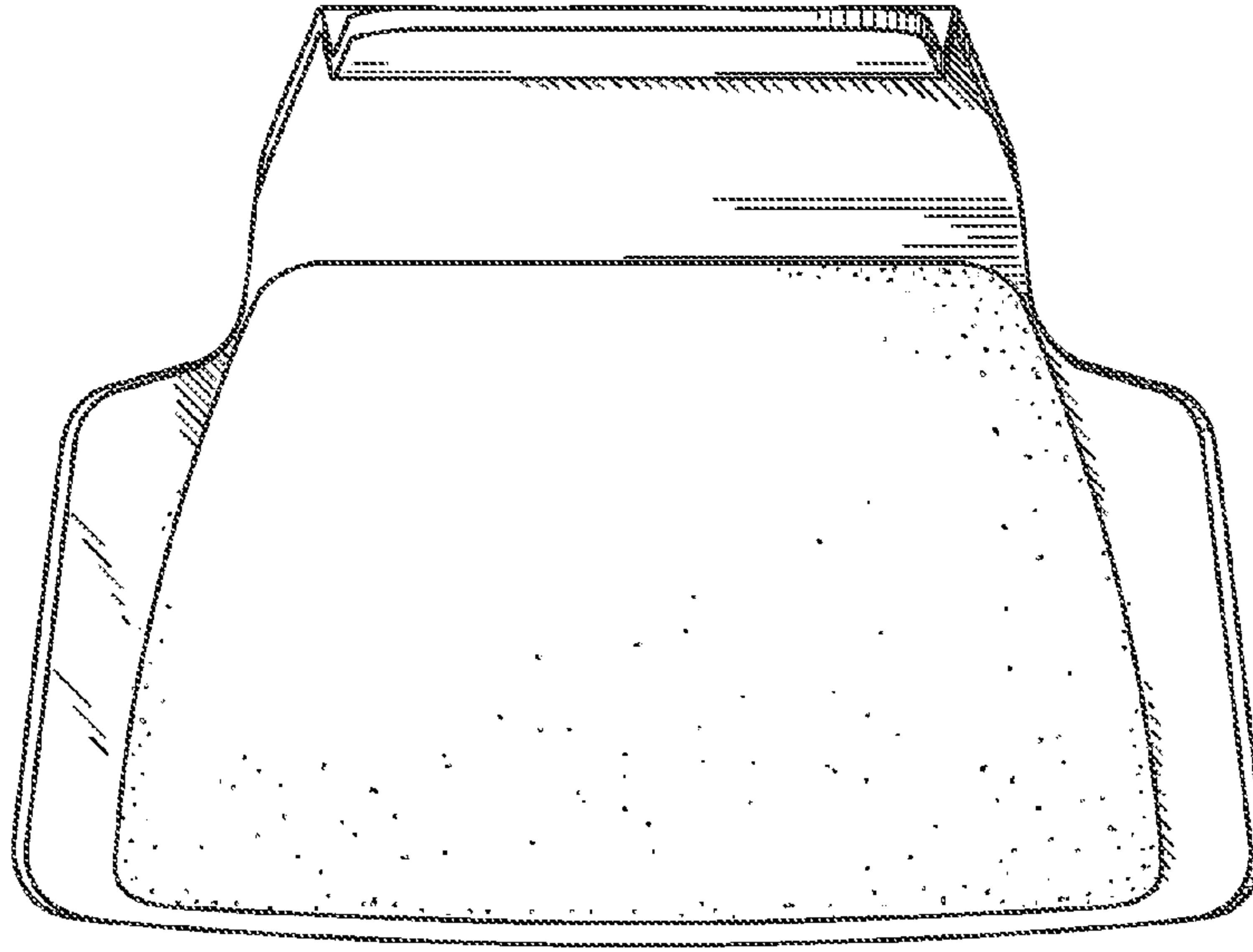


Fig. 57

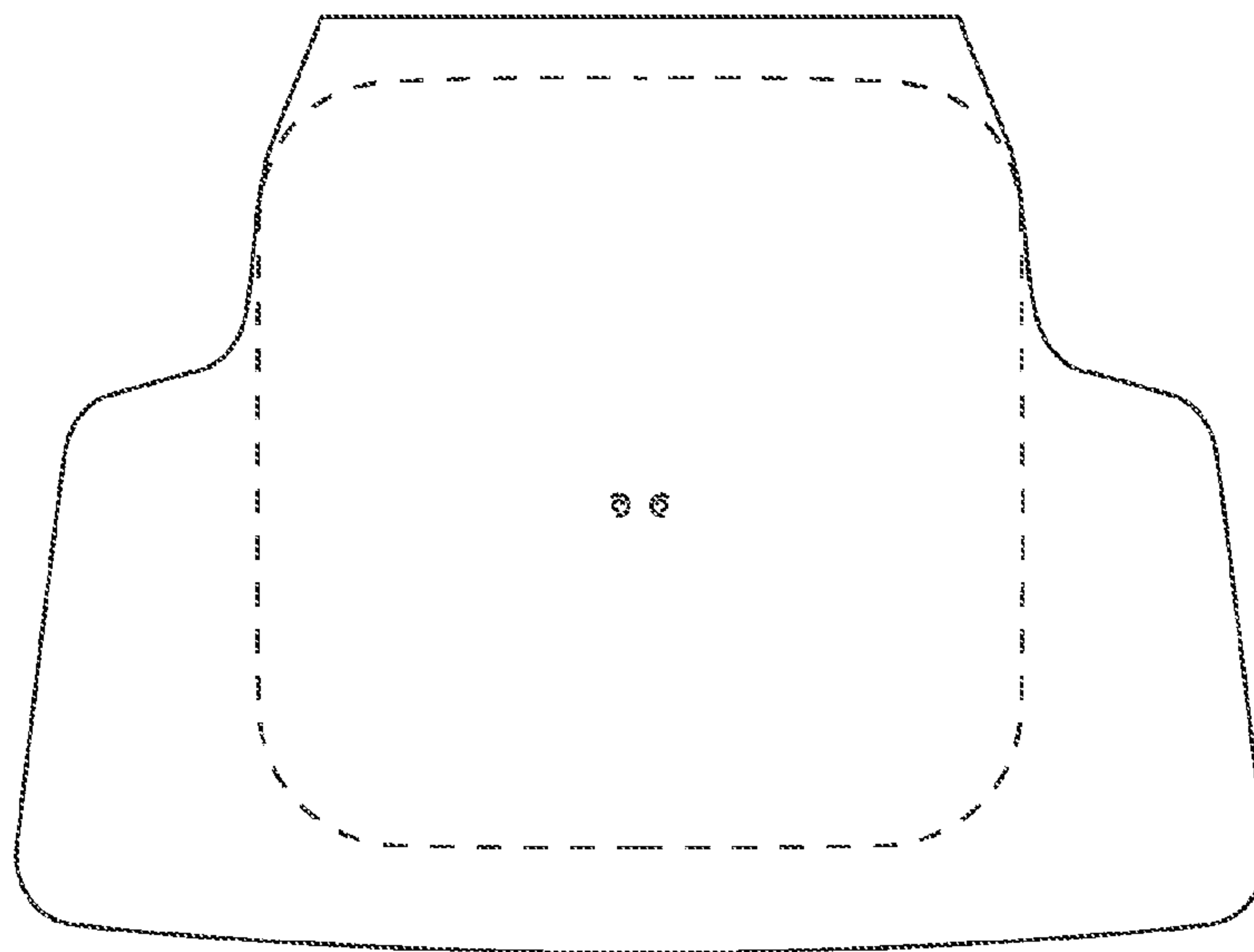


Fig. 58

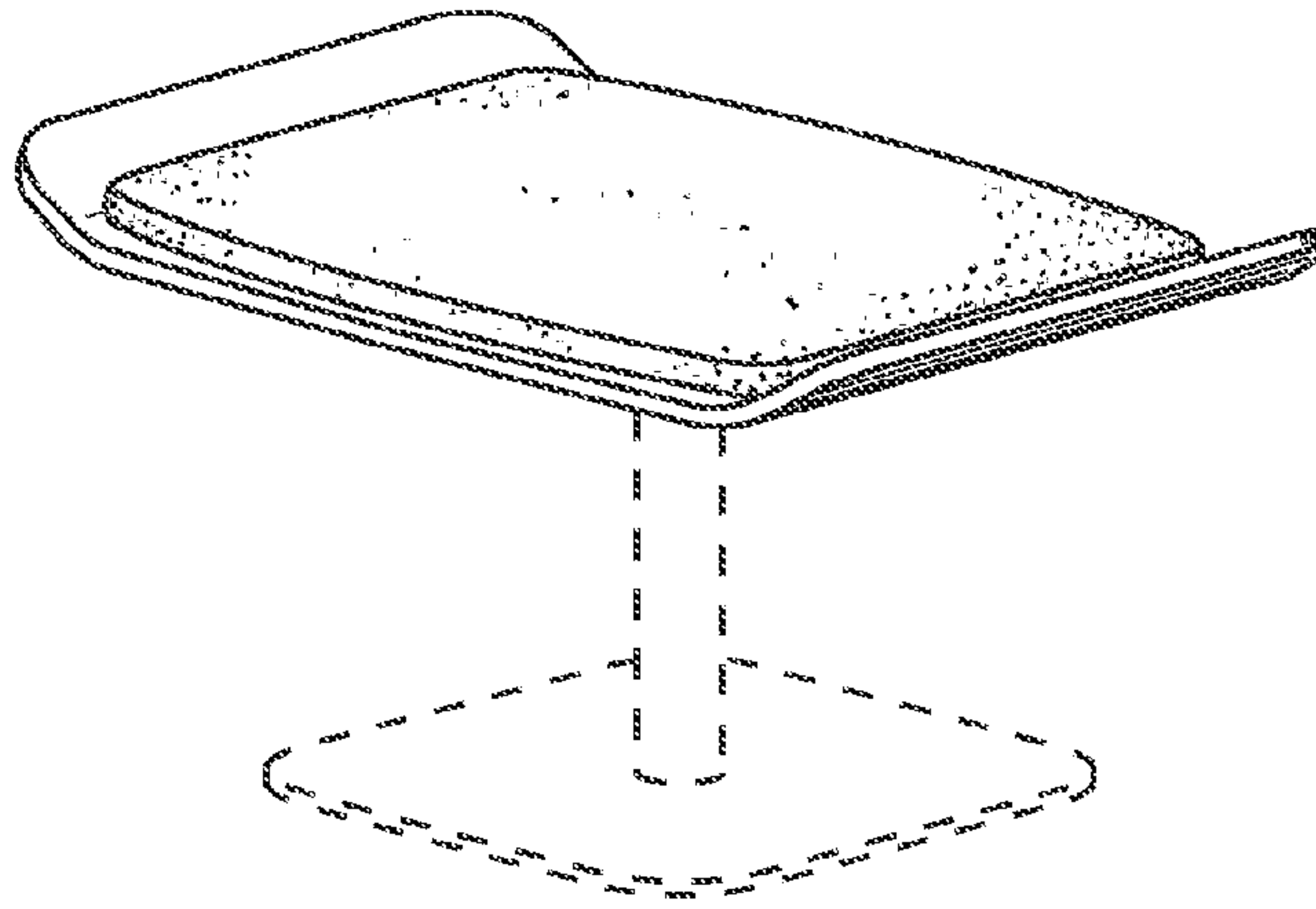


Fig. 59

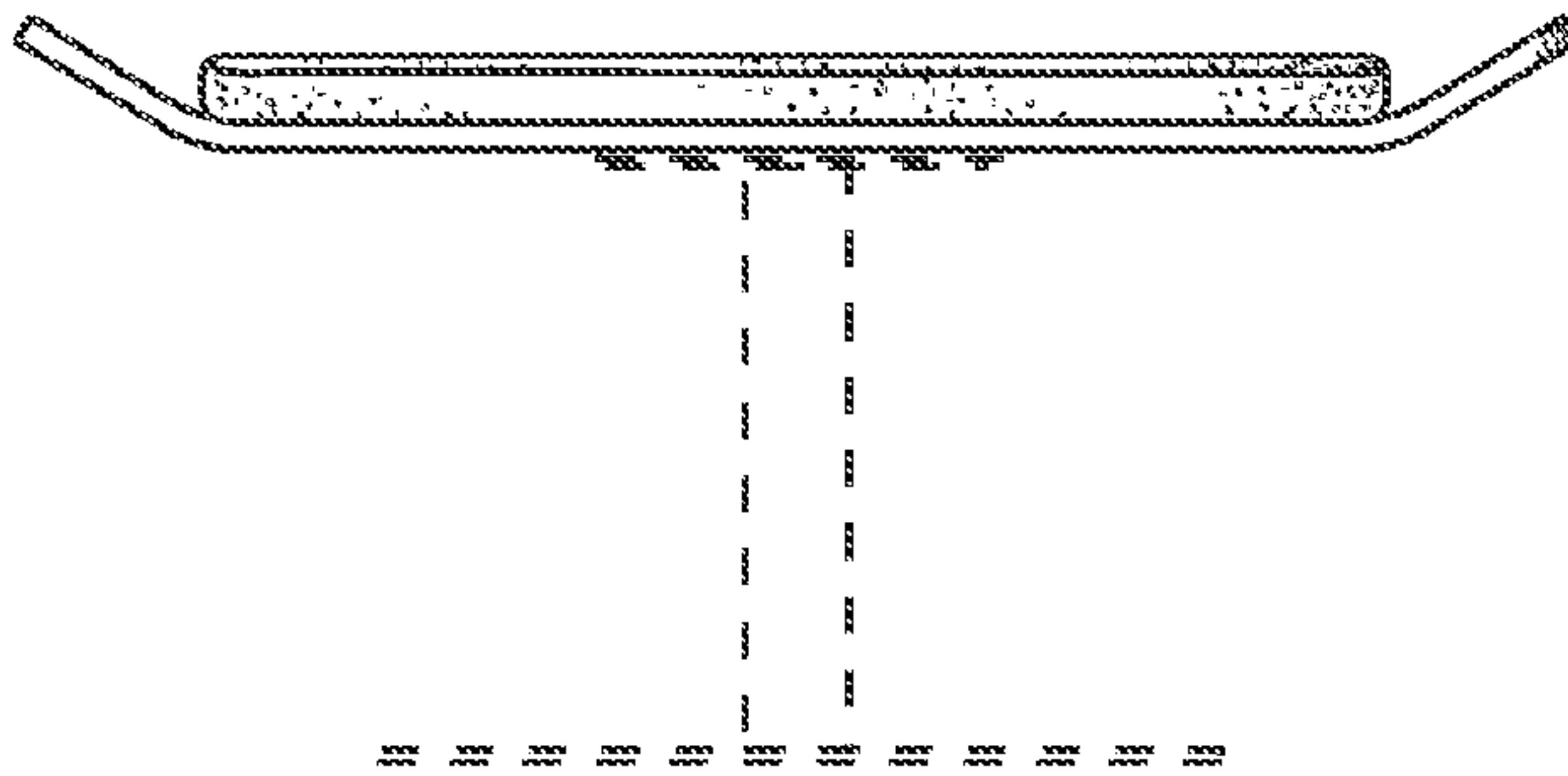


Fig. 60

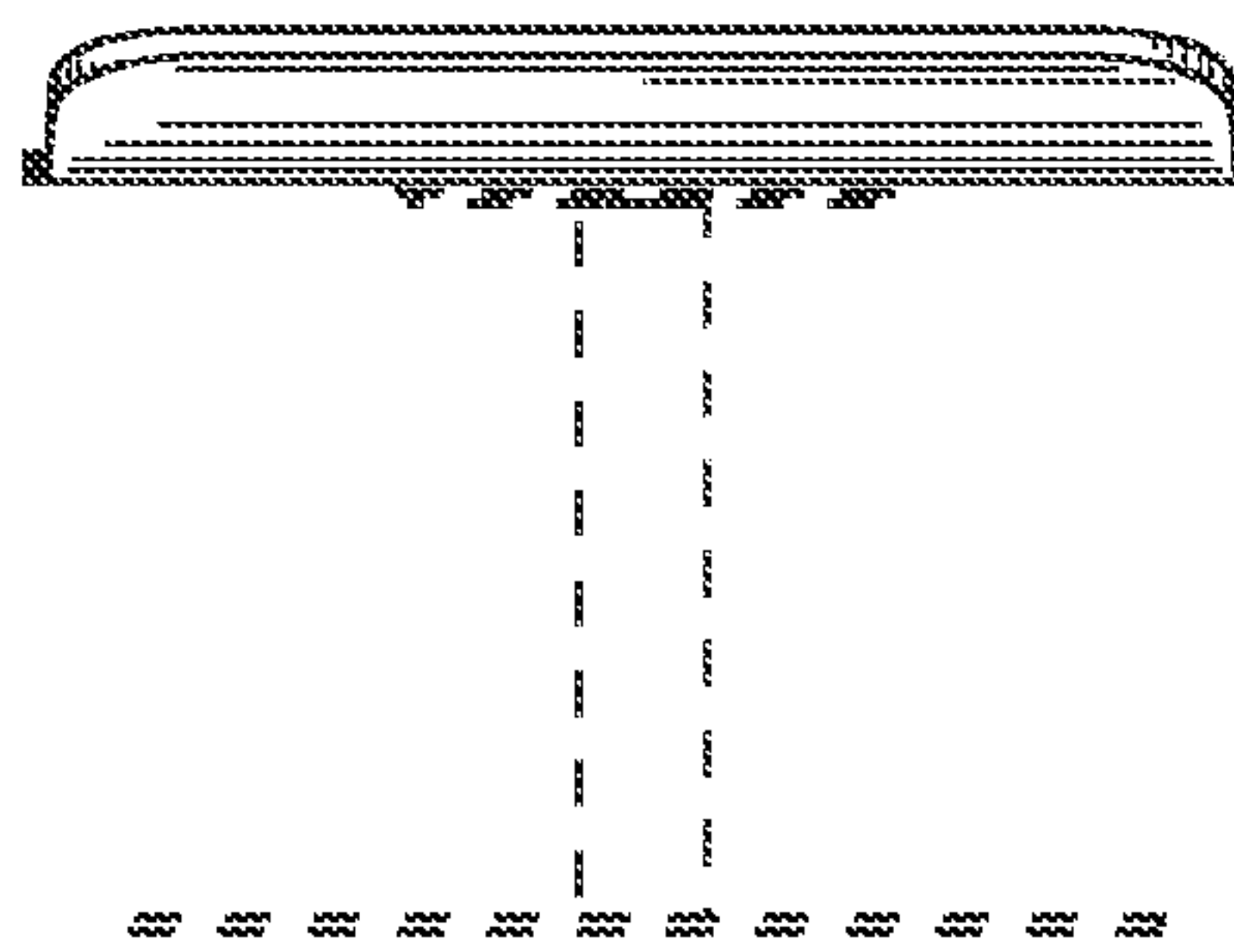


Fig. 61

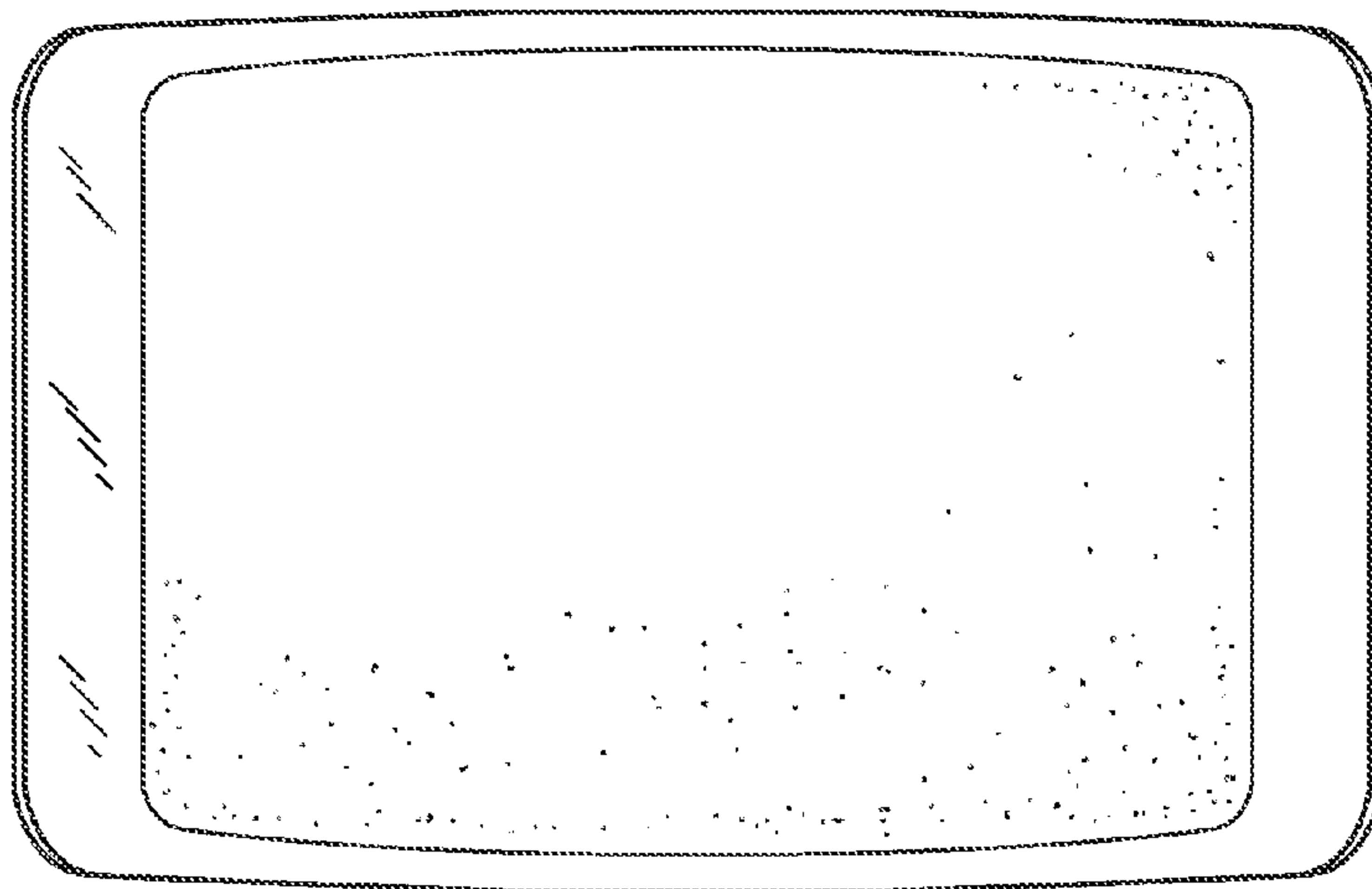


Fig. 62

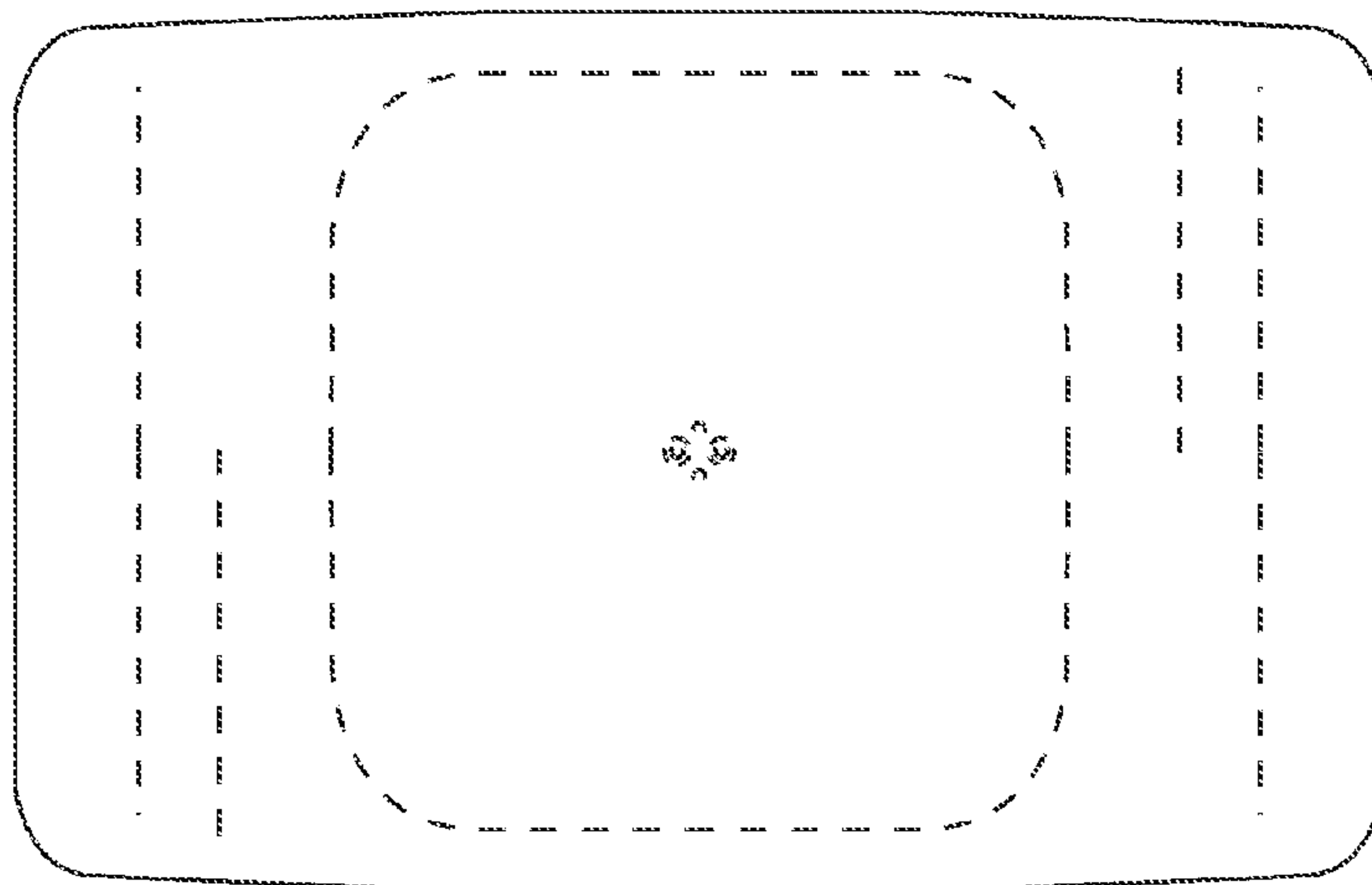


Fig. 63