



US00D701717S

(12) **United States Design Patent**
Whiteside et al.

(10) **Patent No.:** **US D701,717 S**

(45) **Date of Patent:** **** Apr. 1, 2014**

(54) **MOBILE CHAIR**

(75) Inventors: **Kirt E. Whiteside**, Marion, OH (US);
Shane Obitts, Elyria, OH (US); **Braden C. Schenk**, Galena, OH (US)

(73) Assignee: **Whiteside Mfg. Co.**, Delaware, OH (US)

(**) Term: **14 Years**

(21) Appl. No.: **29/428,569**

(22) Filed: **Aug. 1, 2012**

(51) **LOC (10) Cl.** **06-01**

(52) **U.S. Cl.**
USPC **D6/708**

(58) **Field of Classification Search**
USPC D6/335, 336, 337, 338, 349, 350, 351,
D6/352, 353, 354, 368, 702, 704, 705, 708,
D6/716; 297/129, 188.01, 188.04, 188.06,
297/17, 52

See application file for complete search history.

(56) **References Cited**

U.S. PATENT DOCUMENTS

D237,872 S	*	12/1975	Miller	D34/18
D353,058 S	*	12/1994	Dallas	D6/336
D365,935 S	*	1/1996	Dallas	D6/336
D381,170 S	*	7/1997	Dawkins	D34/23

D381,821 S	*	8/1997	Miles	D6/353
6,010,187 A	*	1/2000	Dallas et al.	297/188.08
D456,647 S	*	5/2002	Whiteside et al.	D6/498
6,398,234 B1	*	6/2002	Brown	280/32.6
D511,416 S	*	11/2005	Obbitts et al.	D6/336
D531,419 S	*	11/2006	Whiteside et al.	D6/352
D531,423 S	*	11/2006	Whiteside et al.	D6/367
D555,920 S	*	11/2007	Whiteside et al.	D6/349
D579,679 S	*	11/2008	Qian et al.	D6/349

* cited by examiner

Primary Examiner — Sandra Snapp

(74) *Attorney, Agent, or Firm* — Renner, Kenner, Greive, Bobak, Taylor & Weber

(57) **CLAIM**

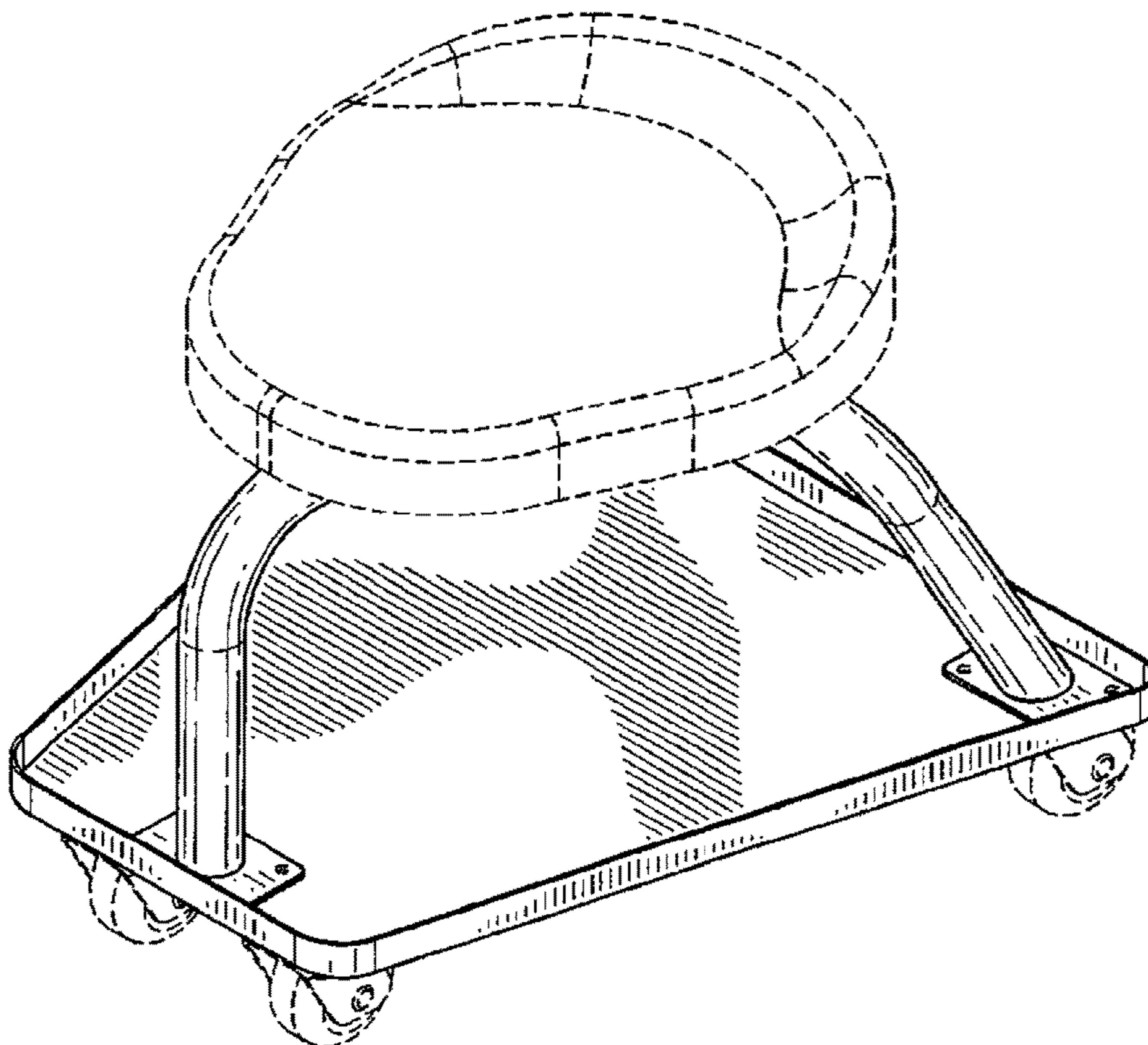
The ornamental design for a mobile chair, as shown and described.

DESCRIPTION

FIG. 1 is a top, front, left side perspective view of a mobile chair showing our new design;
FIG. 2 is a bottom, rear, right side perspective view thereof;
FIG. 3 is a top plan view thereof;
FIG. 4 is a bottom plan view thereof;
FIG. 5 is a front elevational view thereof;
FIG. 6 is a rear elevational view thereof; and,
FIG. 7 is a left side elevational view thereof, the right side being a mirror image of FIG. 7.

The portions of the mobile chair shown in dotted lines are not part of the claimed design.

1 Claim, 5 Drawing Sheets



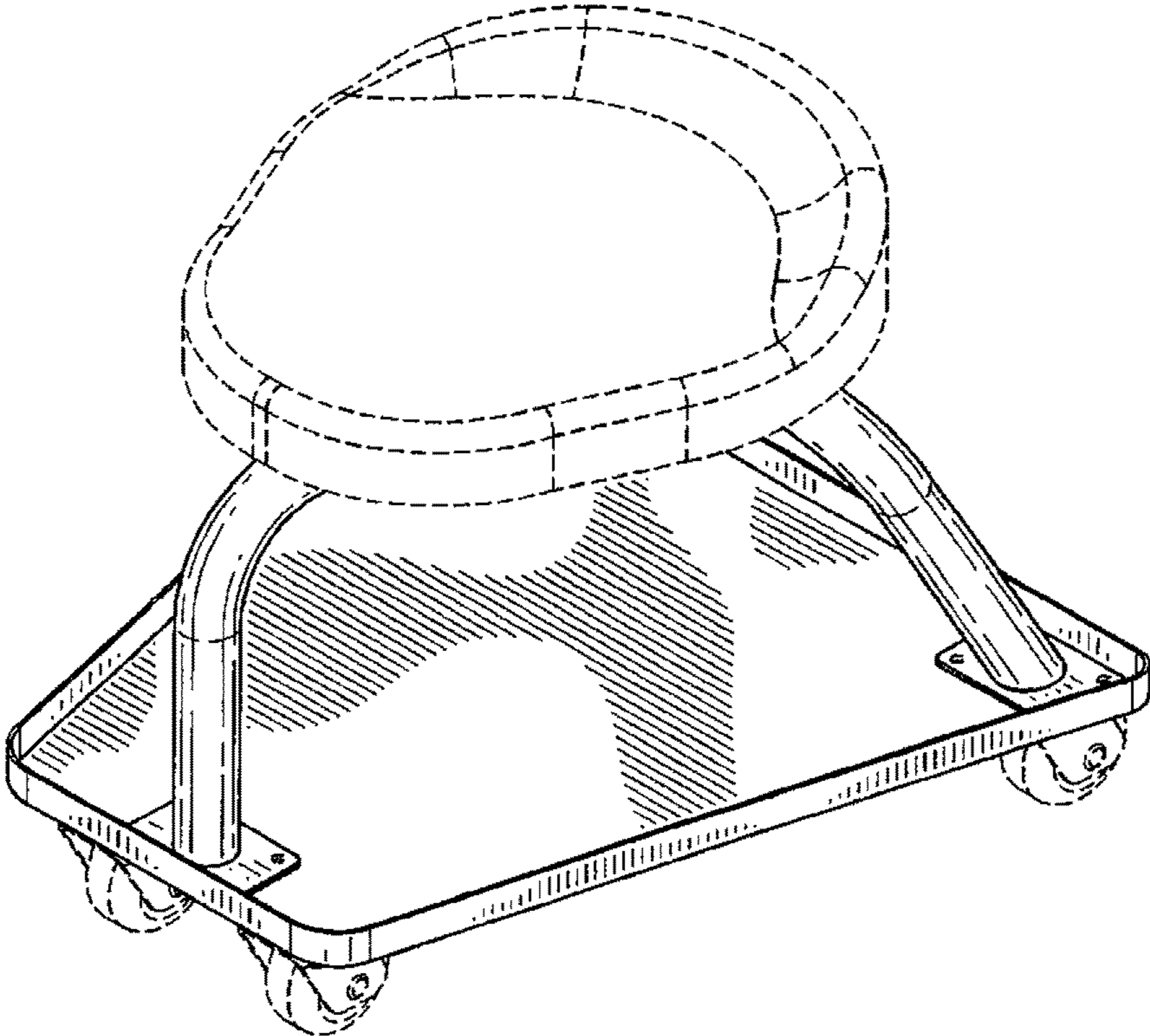


FIG-1

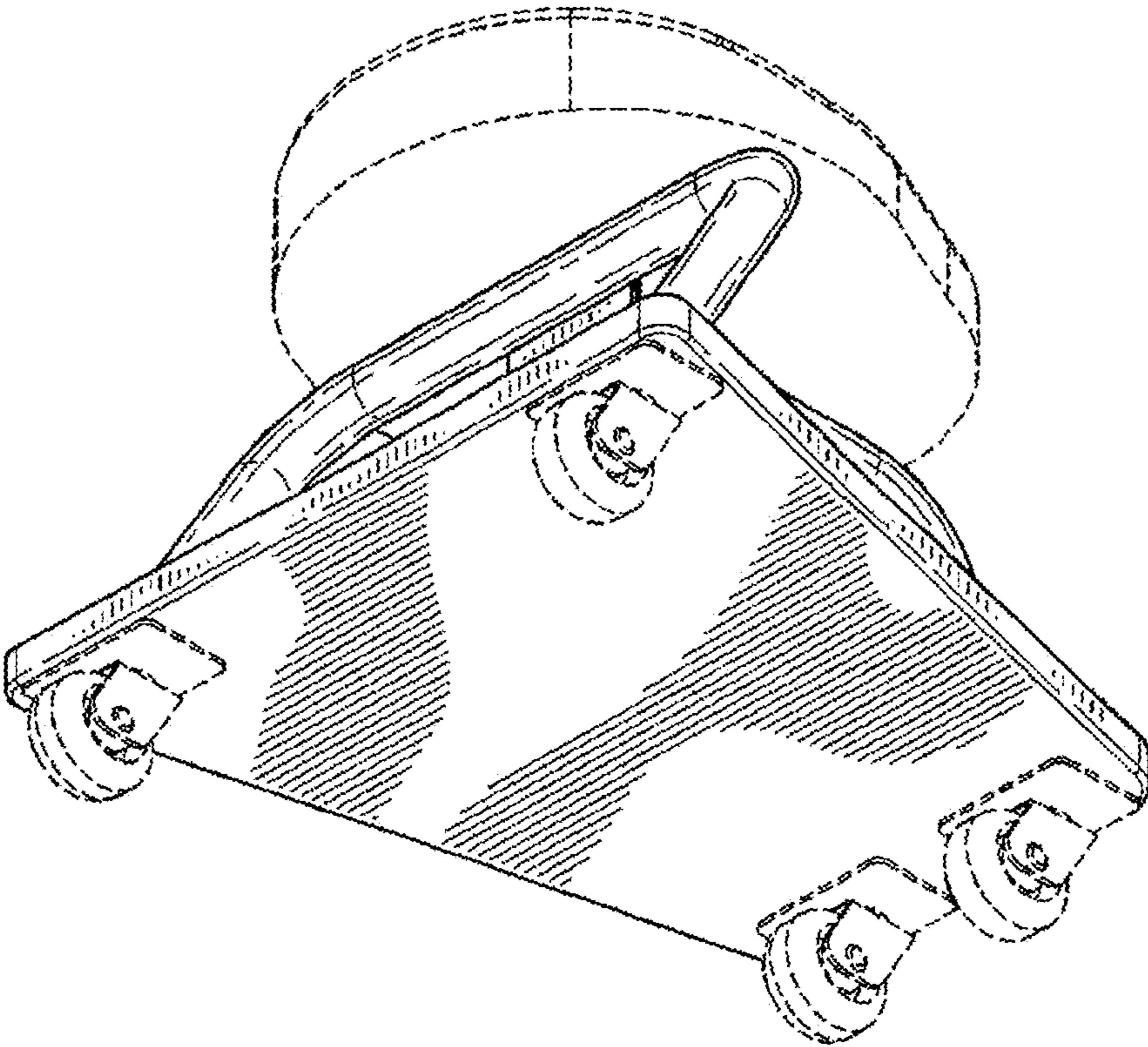


FIG-2

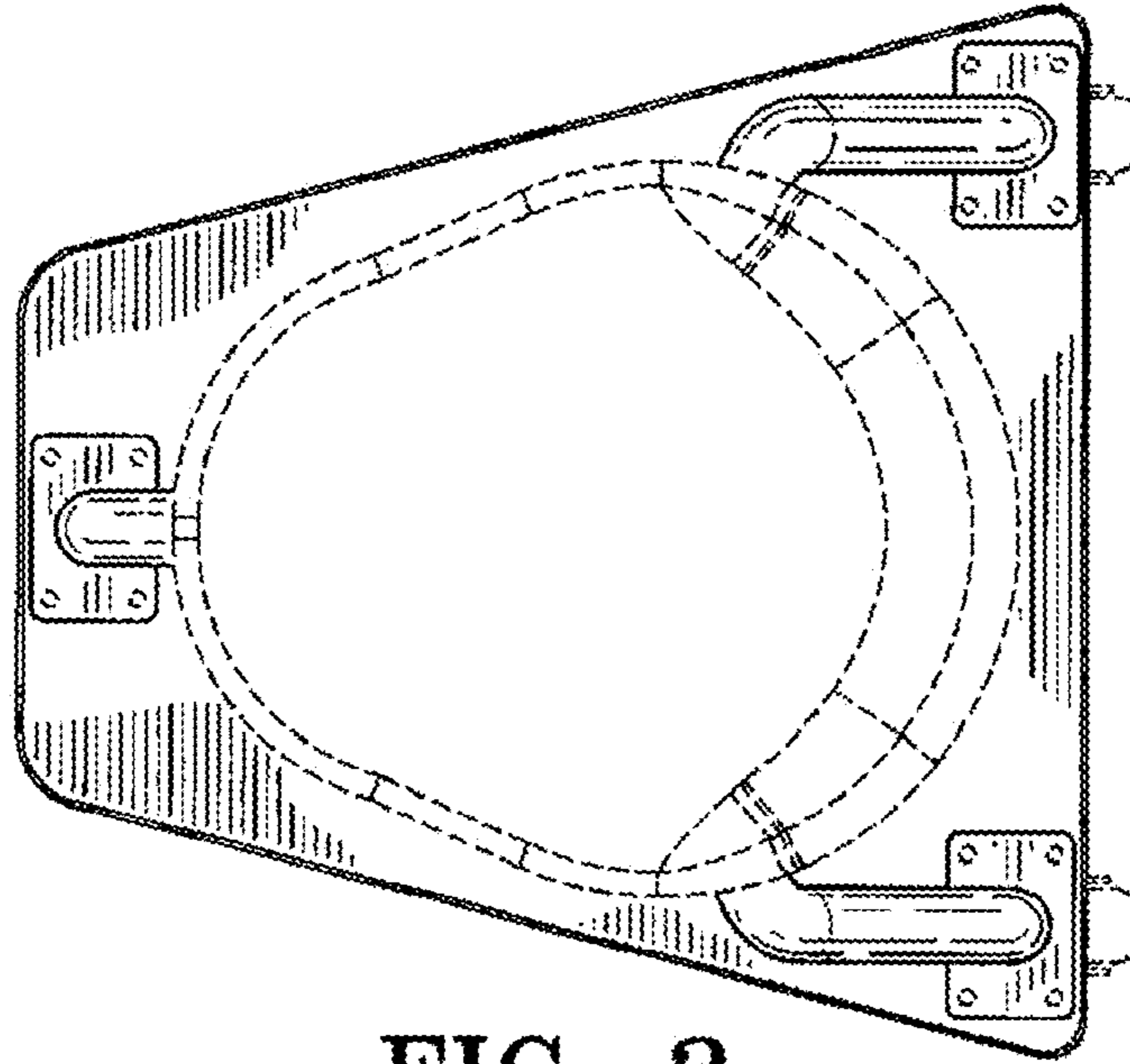


FIG-3

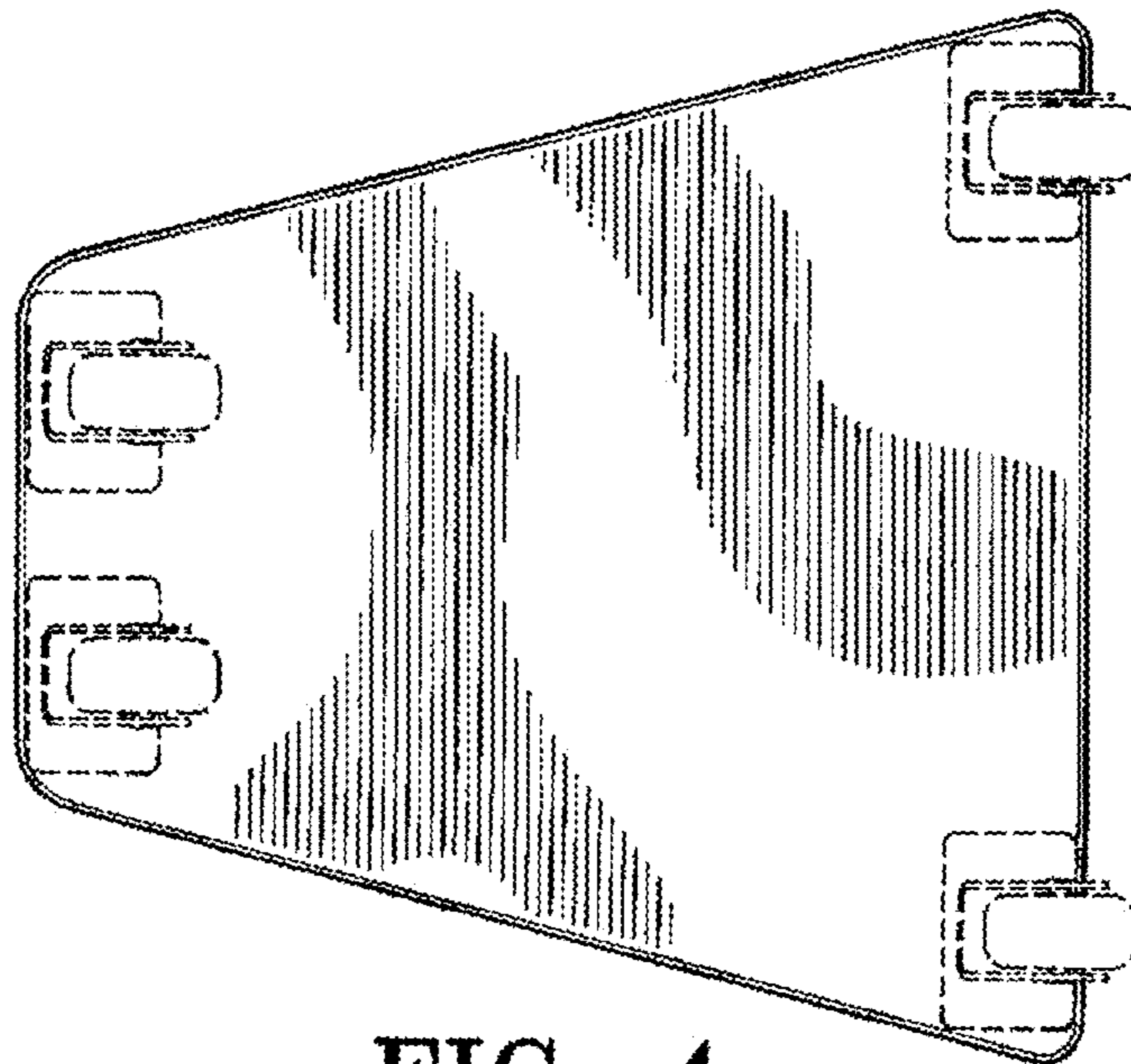


FIG-4

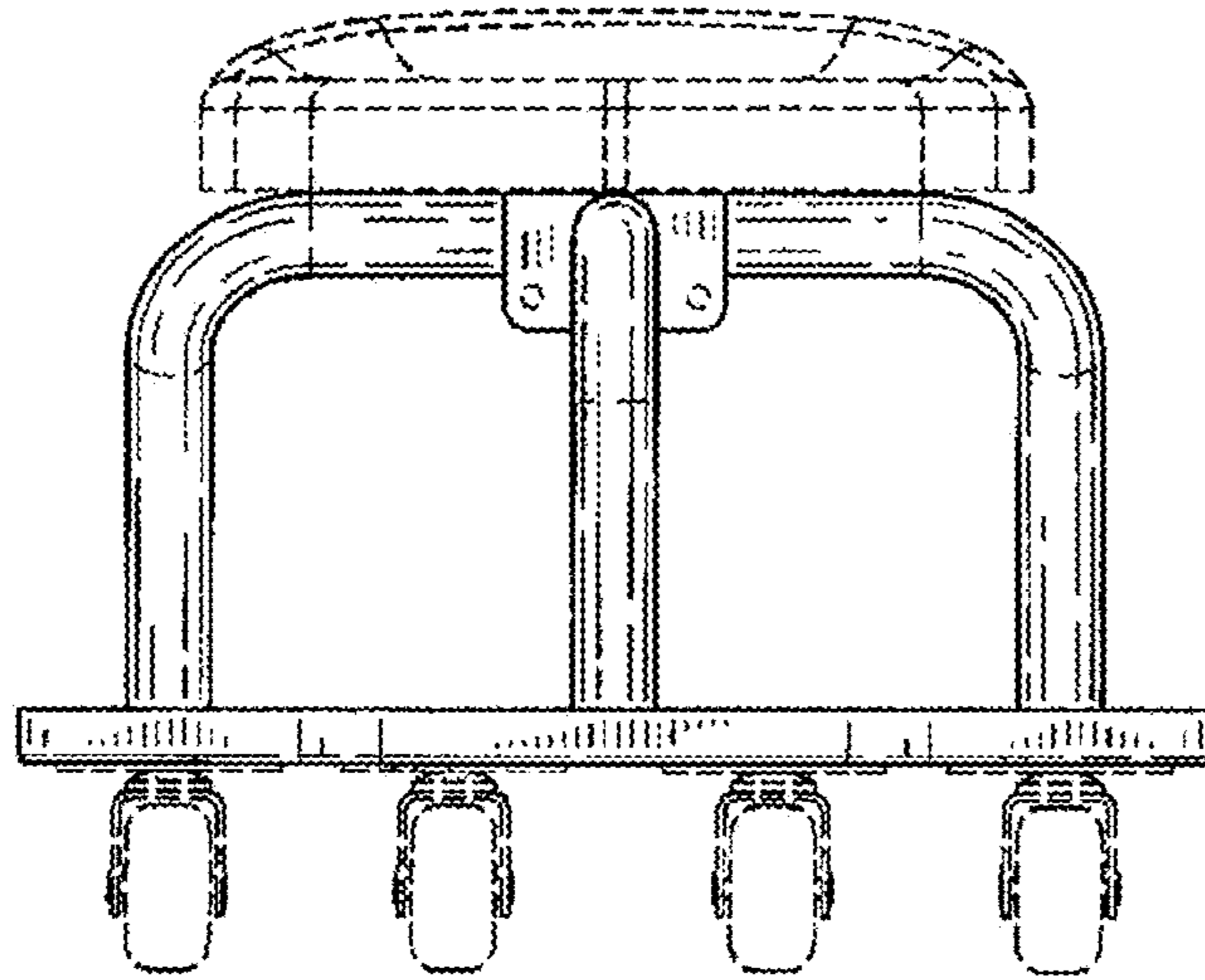


FIG-5

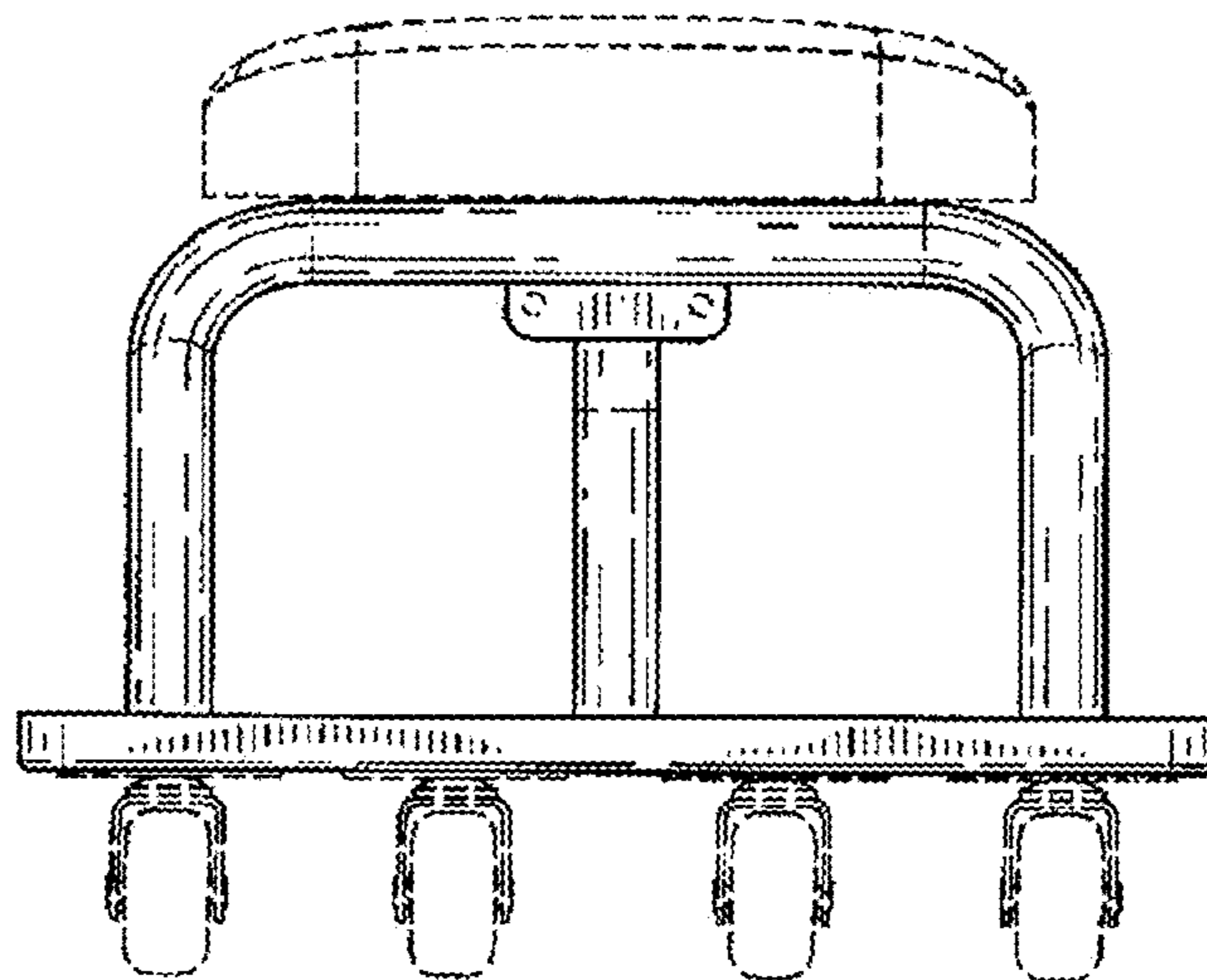


FIG-6

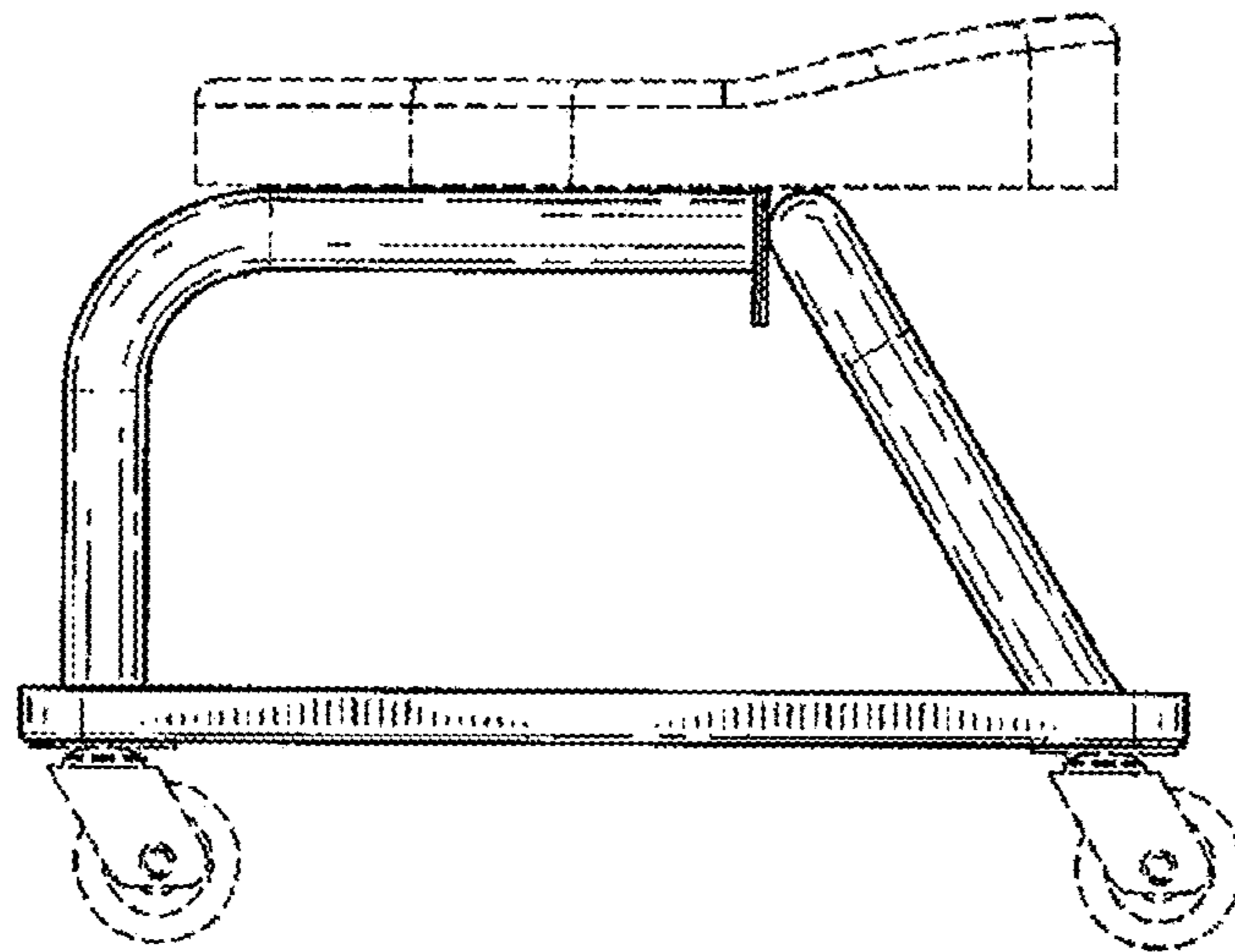


FIG-7