



US00D701716S

(12) **United States Design Patent**  
**Schmitt**

(10) **Patent No.:** **US D701,716 S**

(45) **Date of Patent:** **\*\* Apr. 1, 2014**

(54) **TABLE**

(71) Applicant: **Jack Schmitt**, Mission Viejo, CA (US)

(72) Inventor: **Jack Schmitt**, Mission Viejo, CA (US)

(73) Assignee: **Amini Innovation Corporation**, Pico Rivera, CA (US)

(\*\*) Term: **14 Years**

(21) Appl. No.: **29/437,529**

(22) Filed: **Nov. 16, 2012**

(51) **LOC (10) Cl.** ..... **06-03**

(52) **U.S. Cl.**  
USPC ..... **D6/691.1**

(58) **Field of Classification Search**

USPC ..... D6/691, 691.8, 691.9, 691.3, 691.1,  
D6/707.18; 108/151, 153.1, 155, 156,  
108/157.1, 158.12, 161; 248/188, 188.1

See application file for complete search history.

(56) **References Cited**

**U.S. PATENT DOCUMENTS**

D34,386 S	4/1924	Arons	
D78,457 S	5/1929	Ekvall	
D79,651 S	10/1929	Gommesen	
D161,212 S	12/1950	Scalera	
D179,301 S	11/1956	Jones at al.	
D182,911 S	5/1958	Lubberts et al.	
D291,950 S *	9/1987	Keller	..... D6/430
4,878,439 A	11/1989	Samson	
D323,086 S	1/1992	Arcese et al.	
D328,990 S	9/1992	Kwiescinski	
D344,421 S	2/1994	Keller	
D346,713 S	5/1994	Ferguson	
D350,446 S	9/1994	Sauvage	
D375,217 S	11/1996	Rehmert	
D375,853 S	11/1996	Lee	
D380,315 S	7/1997	Bergelin	

D386,021 S	11/1997	Pratt	
D388,980 S	1/1998	Mohundro	
D393,964 S	5/1998	Bergelin	
D403,900 S	1/1999	Hutton	
D412,632 S	8/1999	Walters, III et al.	
D423,255 S	4/2000	O'Hare	
D425,733 S	5/2000	O'Hare	
D431,131 S	9/2000	Wistehuff, Sr.	
D434,583 S	12/2000	Hutton	
D438,032 S	2/2001	Cain	
D445,607 S	7/2001	O'Hare et al.	
D448,213 S	9/2001	O'Hare et al.	
D448,951 S	10/2001	O'Hare et al.	
D448,952 S	10/2001	O'Hare et al.	
D449,186 S	10/2001	O'Hare et al.	
D449,946 S *	11/2001	Hokanson	..... D6/484
D455,299 S	4/2002	Vaaler	
D455,579 S	4/2002	Vaaler	
6,363,866 B1	4/2002	Schwartz	
D457,357 S	5/2002	Vaaler	

(Continued)

**OTHER PUBLICATIONS**

Ethan Allen Circular, Legacy Collection Dining Table, p. 5, 1996.

(Continued)

*Primary Examiner* — Janice Seeger

(74) *Attorney, Agent, or Firm* — Cisló & Thomas, LLP

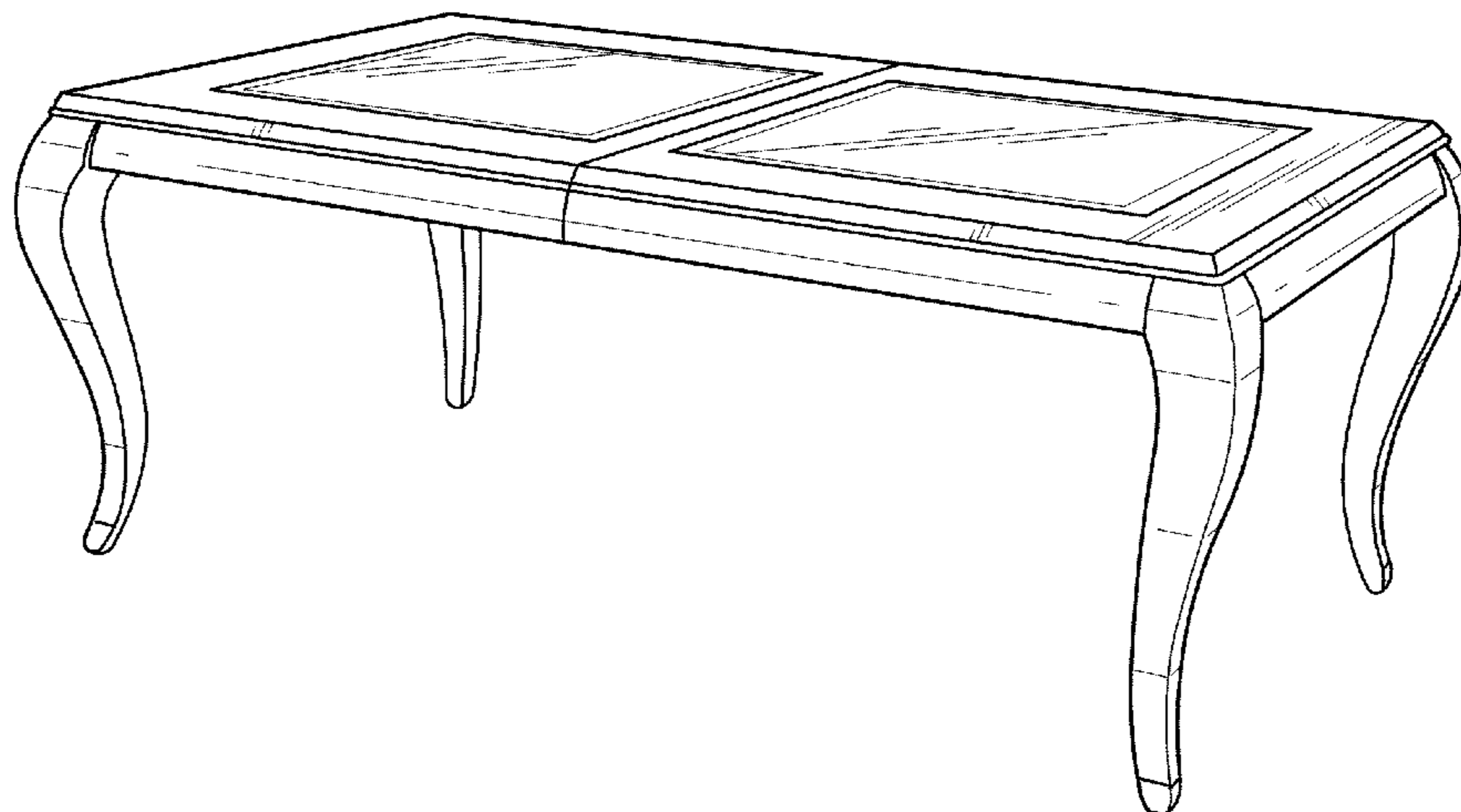
(57) **CLAIM**

I claim the ornamental design for a table, as shown and described.

**DESCRIPTION**

FIG. 1 is a perspective view of my table;  
FIG. 2 is a top view thereof;  
FIG. 3 is a front view, the rear view (not shown) is a mirror image thereof; and,  
FIG. 4 is a right side view, the left side (not shown) is a mirror image of my table.

**1 Claim, 4 Drawing Sheets**



(56)

**References Cited**

U.S. PATENT DOCUMENTS

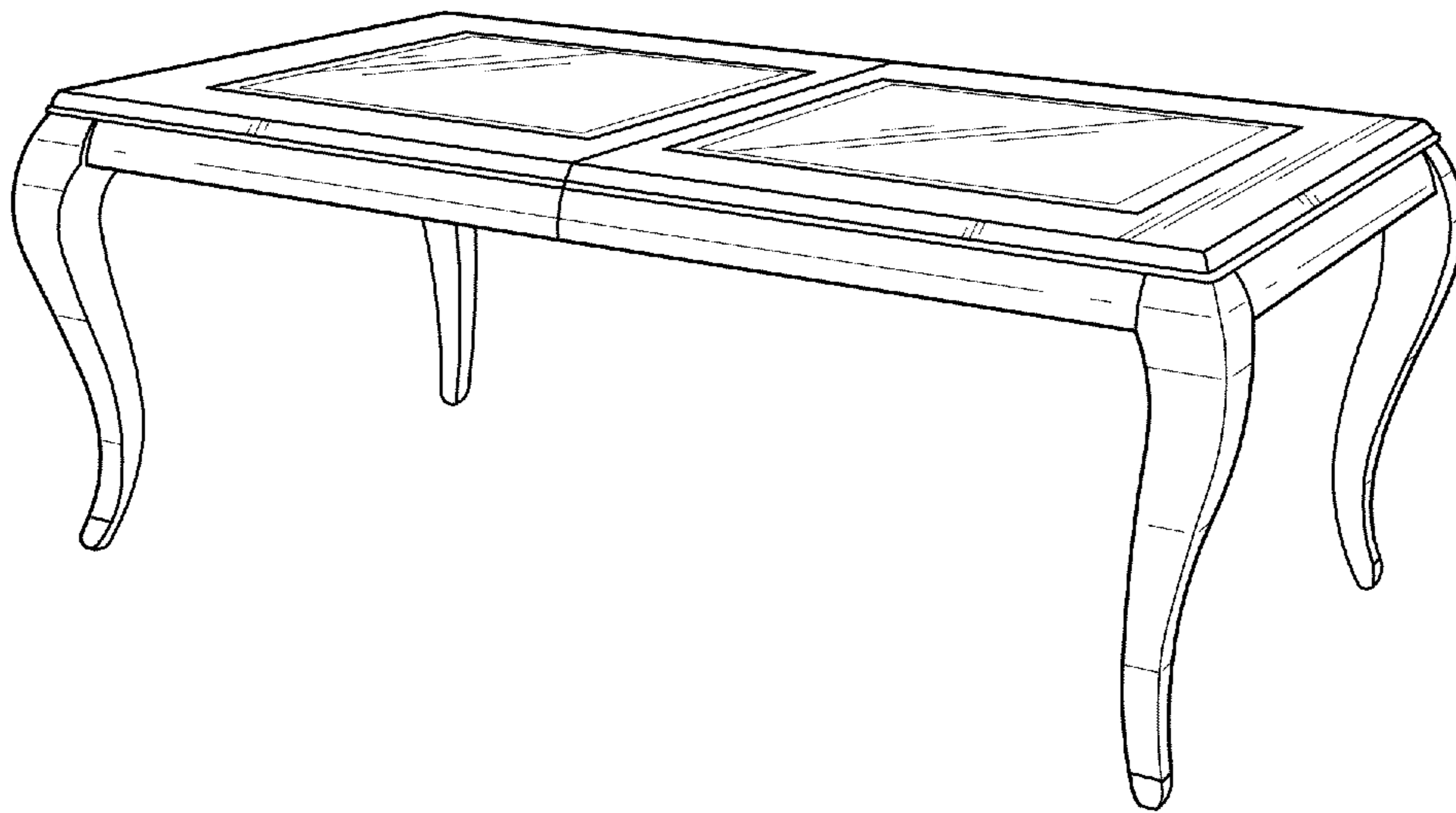
D457,759 S 5/2002 O'Hare et al.  
 D458,055 S 6/2002 Vaaler  
 D459,621 S \* 7/2002 O'Hare et al. .... D6/484  
 D460,881 S 7/2002 Stanton  
 D462,855 S 9/2002 McDaniel et al.  
 D464,828 S 10/2002 Vaaler  
 D470,342 S 2/2003 Vaaler  
 D473,077 S 4/2003 Berry, Jr. et al.  
 D474,048 S 5/2003 Stanton  
 D478,747 S 8/2003 Warren et al.  
 D486,014 S 2/2004 Schmitt  
 D486,327 S 2/2004 Schmitt  
 D502,342 S 3/2005 O'Hare  
 D511,057 S \* 11/2005 Mohundro ..... D6/480  
 D512,856 S 12/2005 Peterson et al.  
 D530,544 S \* 10/2006 Domack et al. .... D6/480  
 D531,430 S 11/2006 Domack et al.  
 D531,432 S 11/2006 Domack et al.  
 D531,838 S 11/2006 Domack et al.  
 D540,069 S 4/2007 Schmitt  
 D544,728 S 6/2007 Schmitt  
 D548,492 S 8/2007 Domack et al.

D552,889 S 10/2007 Domack et al.  
 D552,891 S 10/2007 Everson et al.  
 D558,487 S 1/2008 Everson et al.  
 D558,488 S 1/2008 Domack et al.  
 D562,598 S 2/2008 Domack et al.  
 D569,660 S 5/2008 Schmitt  
 D586,154 S 2/2009 Schmitt  
 D592,893 S 5/2009 Schmitt  
 D634,948 S \* 3/2011 Lewis ..... D6/484

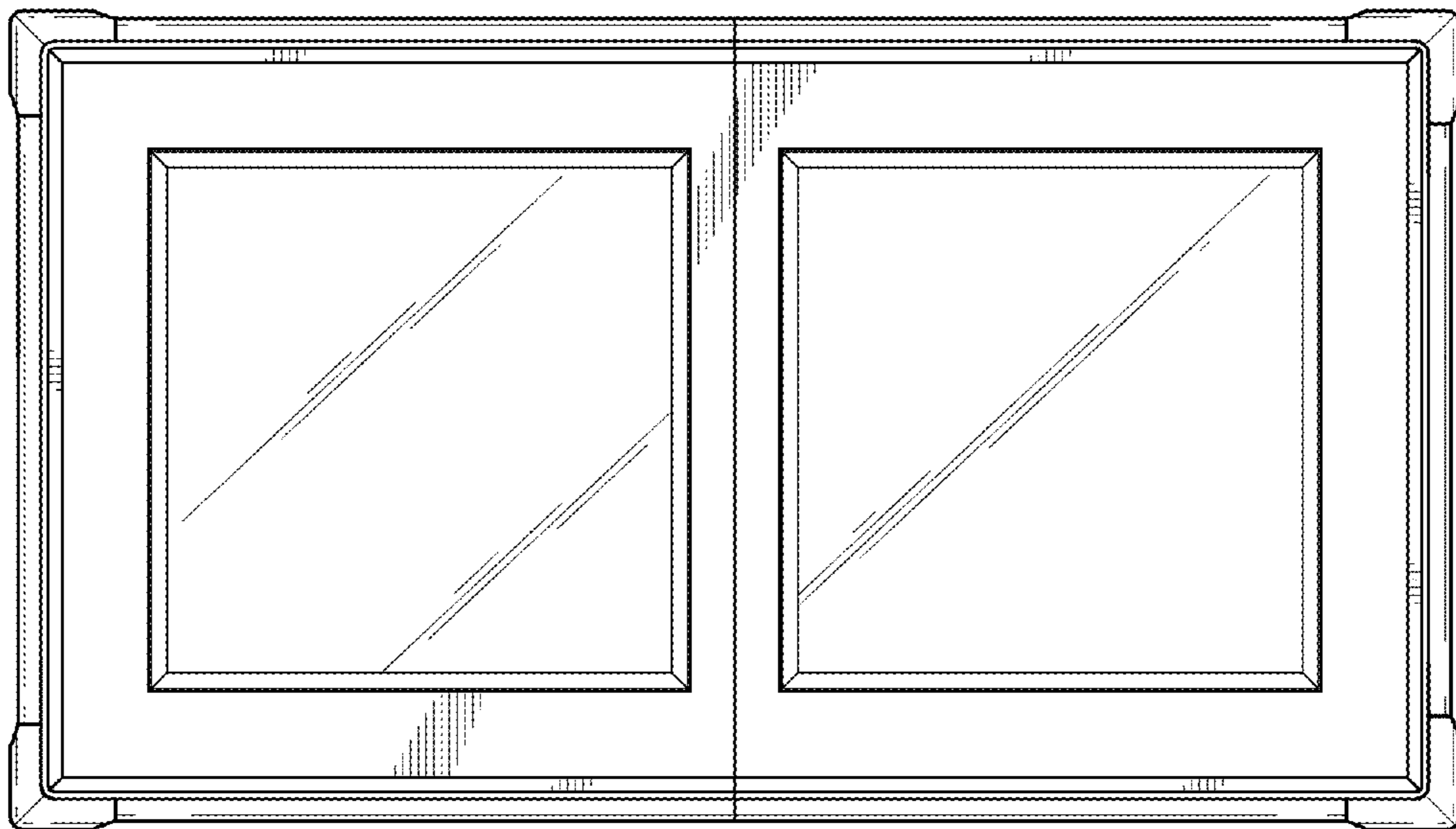
OTHER PUBLICATIONS

Furniture Today, p. 158, Oct. 19, 1998.  
 Furniture Today, Aico Table; p. 15, Oct. 16, 2000.  
 Amini Innovation Corp. Monte Carlo Collection, #53000 Series, 2001, 1 page.  
 Amini Innovation Corp. La Francaise Collection, #50000 Series, Sep. 11, 2002, 2 pages.  
 Amini Innovation Corp. Torino Collection, #56000 Series, Apr. 18, 2002, 1 page.  
 Amini Innovation Corp. Excelsior Double Pedestal Table, Sep. 14, 2004, 1 page.  
 Amini Innovation Corp. Trevi Collection, Sep. 20, 2004, 2 pages.

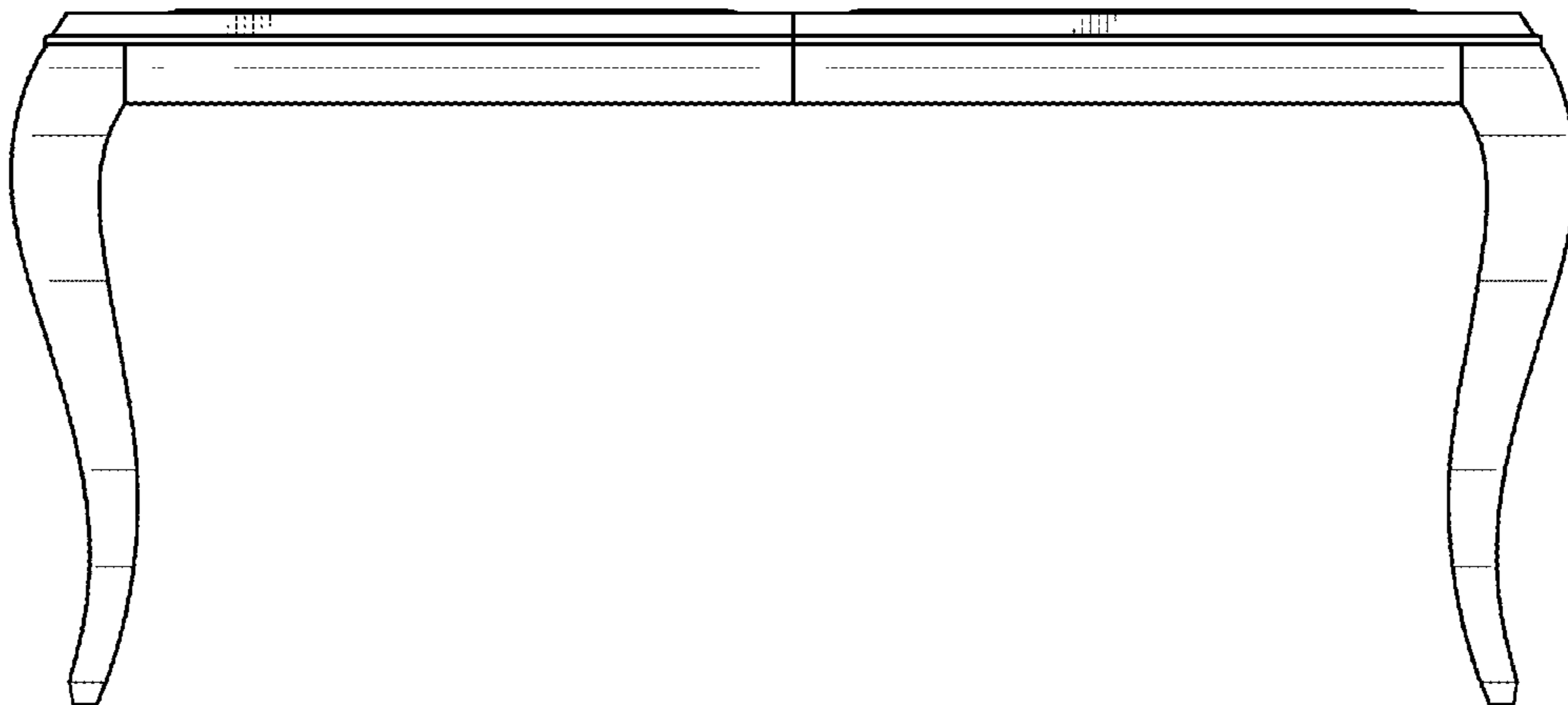
\* cited by examiner



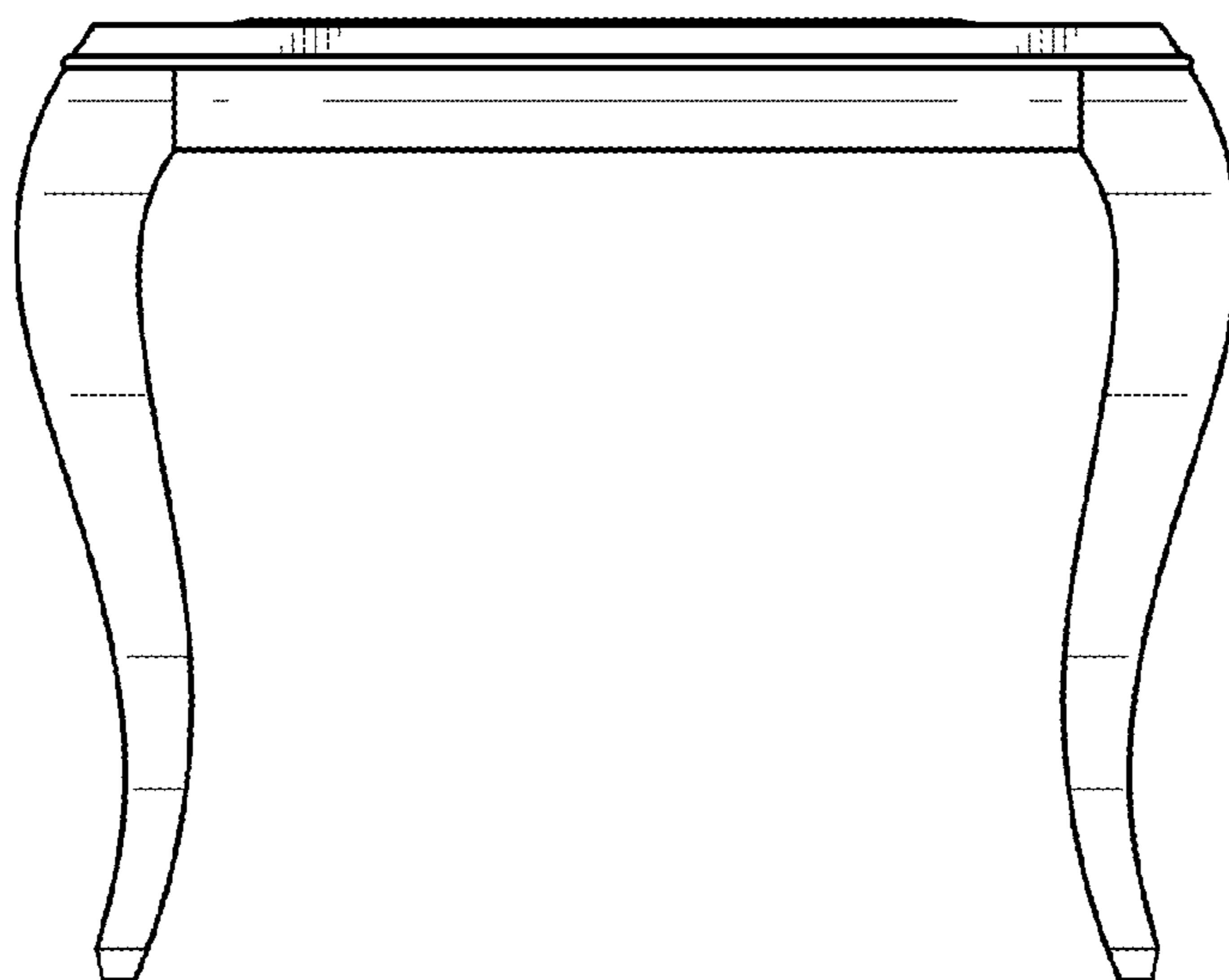
**FIG. 1**



**FIG. 2**



*FIG. 3*



**FIG. 4**