



US00D701714S

(12) **United States Design Patent**
Gelman

(10) **Patent No.:** **US D701,714 S**

(45) **Date of Patent:** **** Apr. 1, 2014**

(54) **CORNER BENCH**

(71) Applicant: **Eric Gelman**, Melbourne, FL (US)

(72) Inventor: **Eric Gelman**, Melbourne, FL (US)

(**) Term: **14 Years**

(21) Appl. No.: **29/438,133**

(22) Filed: **Nov. 27, 2012**

(51) **LOC (10) Cl.** **06-07**

(52) **U.S. Cl.**

USPC **D6/676.1**; D6/562

(58) **Field of Classification Search**

USPC D6/562, 705, 574, 676.1, 676.2, 570,
D6/525, 566; 108/29; 248/220.1; 211/149,
211/90.01

See application file for complete search history.

D388,992 S *	1/1998	Weisburn et al.	D6/562
5,724,894 A *	3/1998	Knorovsky	108/42
D401,789 S *	12/1998	Schwab	D6/483
D409,868 S *	5/1999	France	D6/562
D417,107 S *	11/1999	Patel et al.	D6/511
D421,867 S *	3/2000	Carville et al.	D6/562
D444,017 S *	6/2001	Walker	D6/562
D514,847 S *	2/2006	Peller et al.	D6/465
D522,271 S *	6/2006	Arippol	D6/465
D572,940 S *	7/2008	Murray	D6/462
D653,068 S *	1/2012	Klein et al.	D6/562

* cited by examiner

Primary Examiner — Cathron Brooks

Assistant Examiner — Sydney R Buffalow

(74) *Attorney, Agent, or Firm* — Mark R. Malek; Zies
Widerman & Malek

(57) **CLAIM**

The ornamental design for a corner bench, as shown and described.

(56) **References Cited**

U.S. PATENT DOCUMENTS

1,654,409 A *	12/1927	Browne	108/29
3,224,357 A *	12/1965	Rubens	99/340
4,708,310 A *	11/1987	Smith	248/220.1
D304,398 S *	11/1989	Goetz	D6/479
D313,720 S *	1/1991	Sorenson et al.	D6/574
D314,477 S *	2/1991	Richter	D6/479
D316,345 S *	4/1991	Mo Yau Kee	D6/465
D321,296 S *	11/1991	Miranda	D6/461
D325,137 S *	4/1992	Porter	D6/479
D327,795 S *	7/1992	Kee	D6/465
D364,527 S *	11/1995	Moon	D6/574
D382,733 S *	8/1997	Goetz	D6/479

DESCRIPTION

FIG. 1 is a front top perspective view of a corner bench with tray;

FIG. 2 is a side perspective view of the corner bench with the tray removed;

FIG. 3 is a front view thereof;

FIG. 4 is a back view thereof;

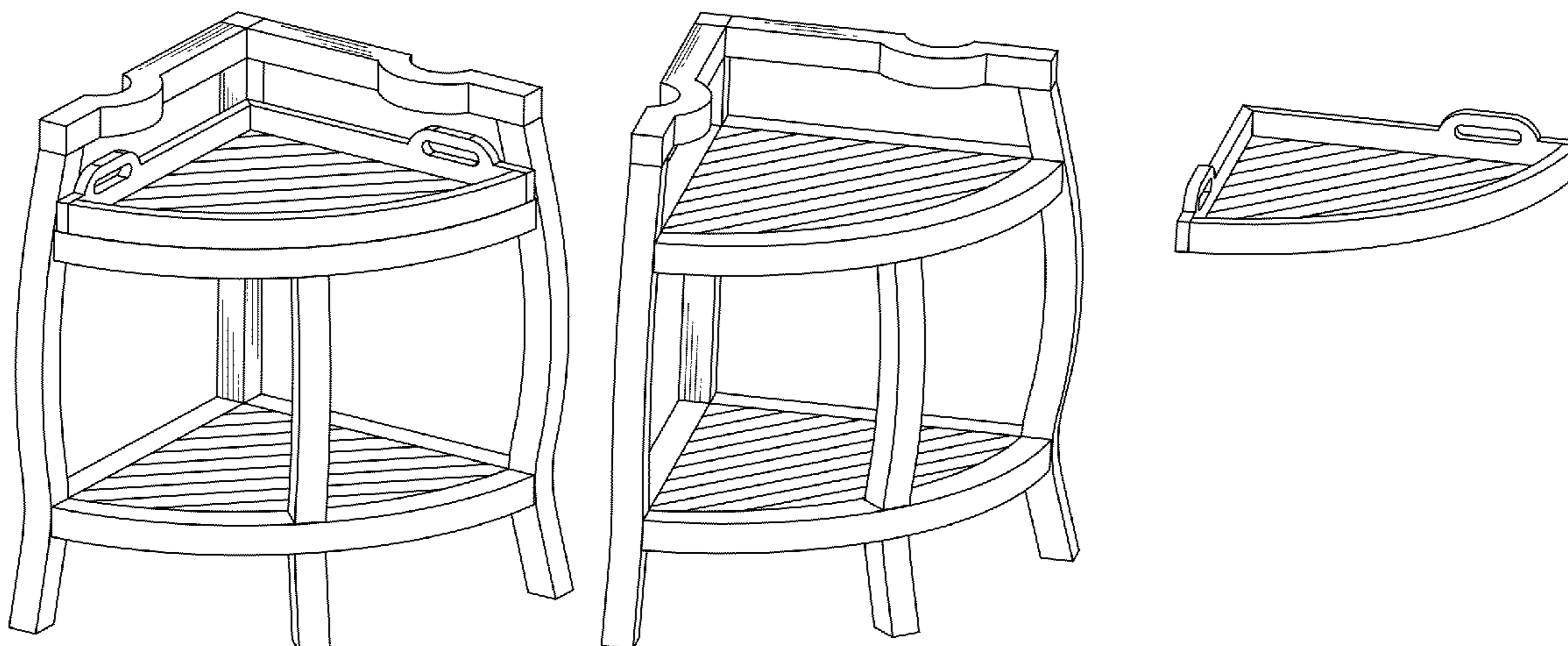
FIG. 5 is top view thereof;

FIG. 6 is bottom view thereof;

FIG. 7 is one side view thereof; and,

FIG. 8 is a second side view.

1 Claim, 3 Drawing Sheets



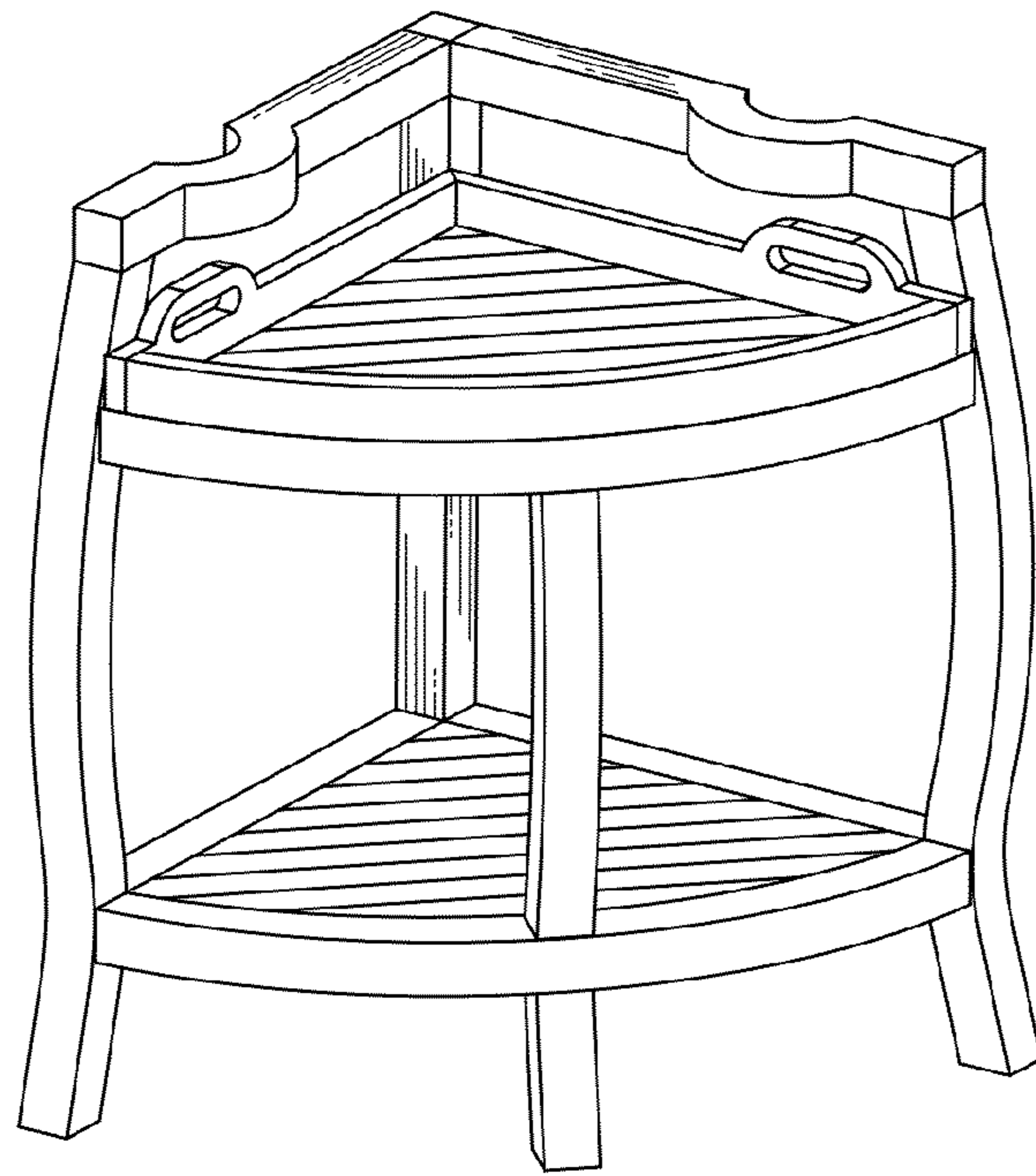


Fig. 1

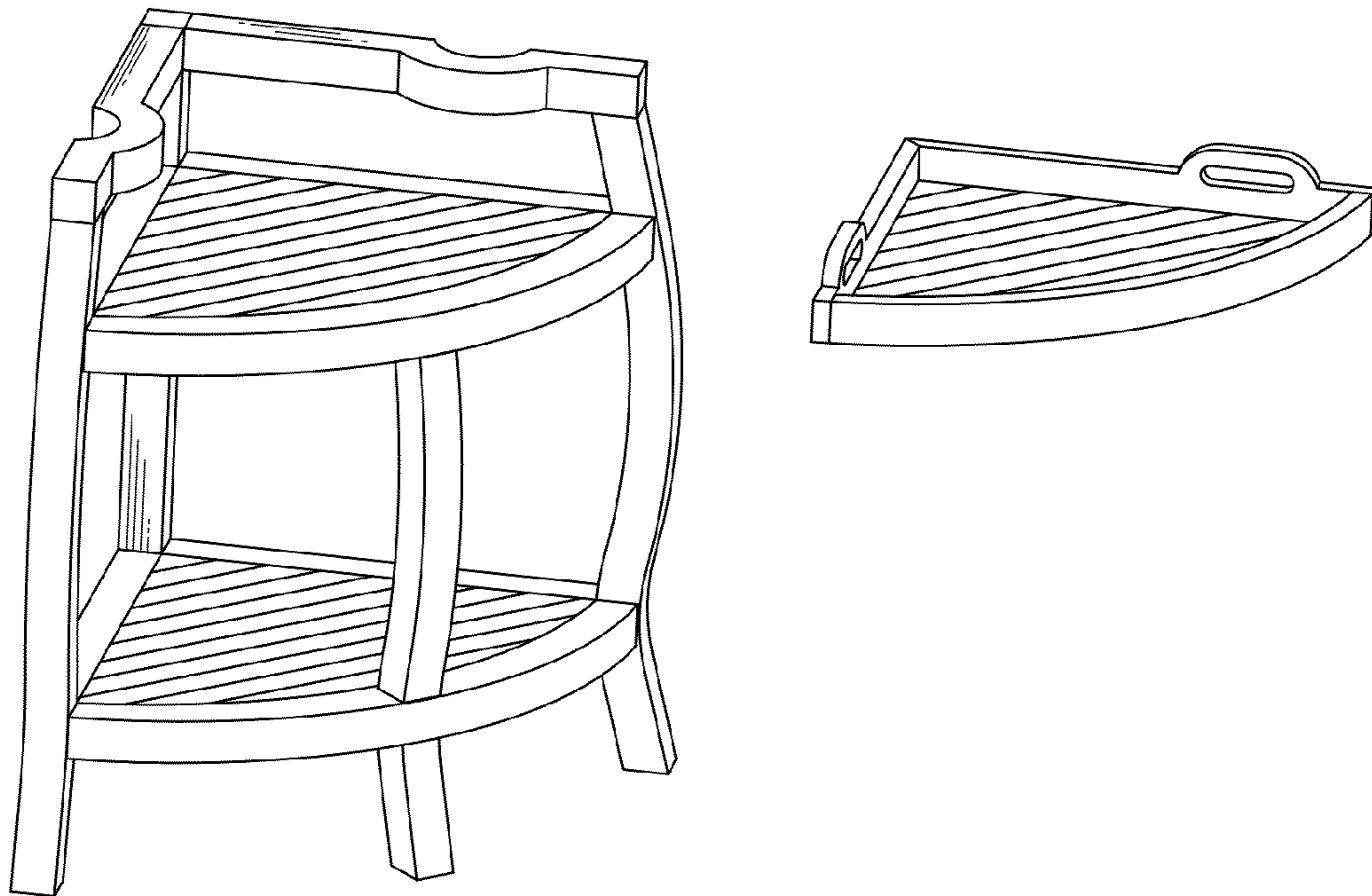


Fig. 2

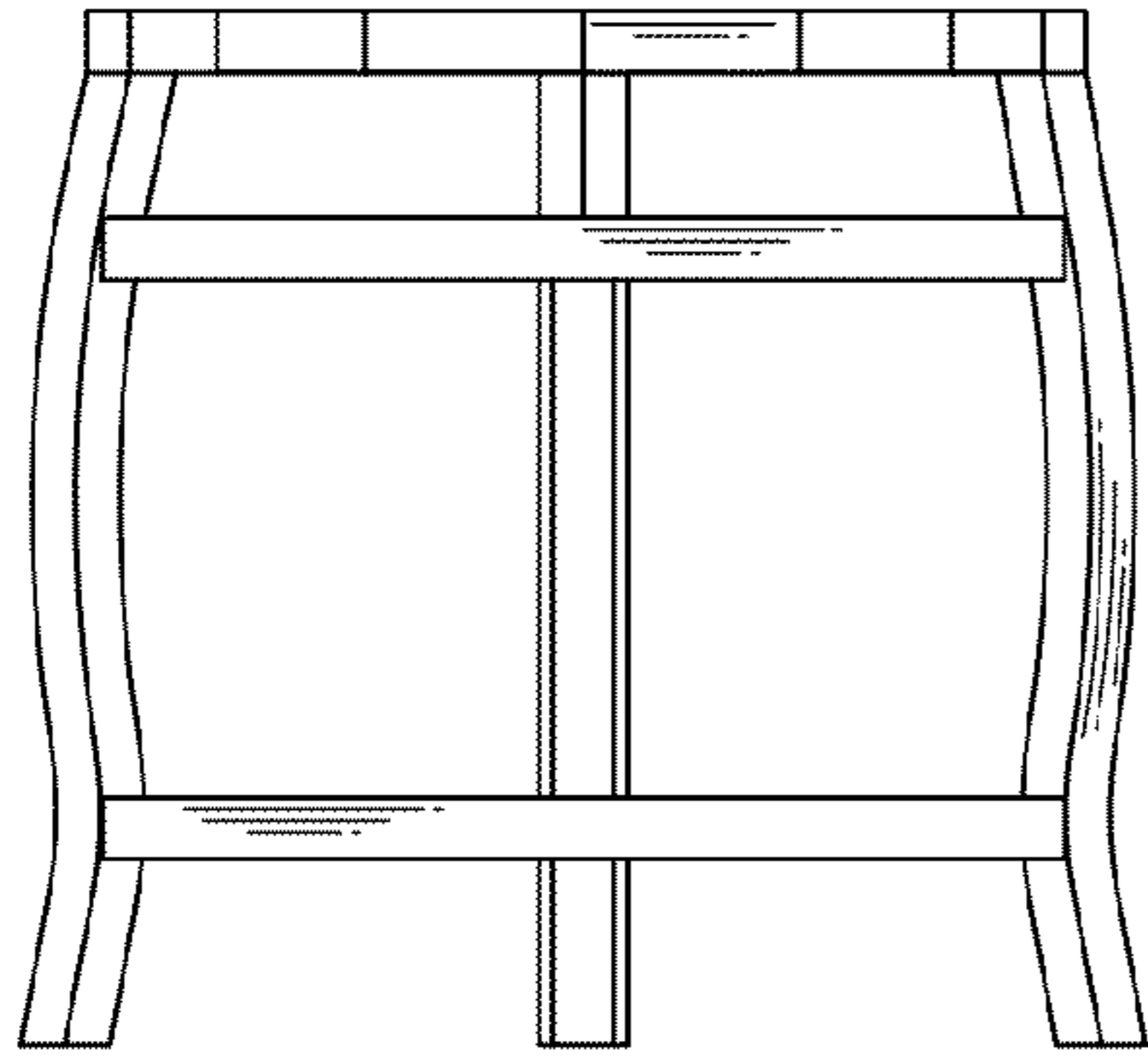


Fig. 3

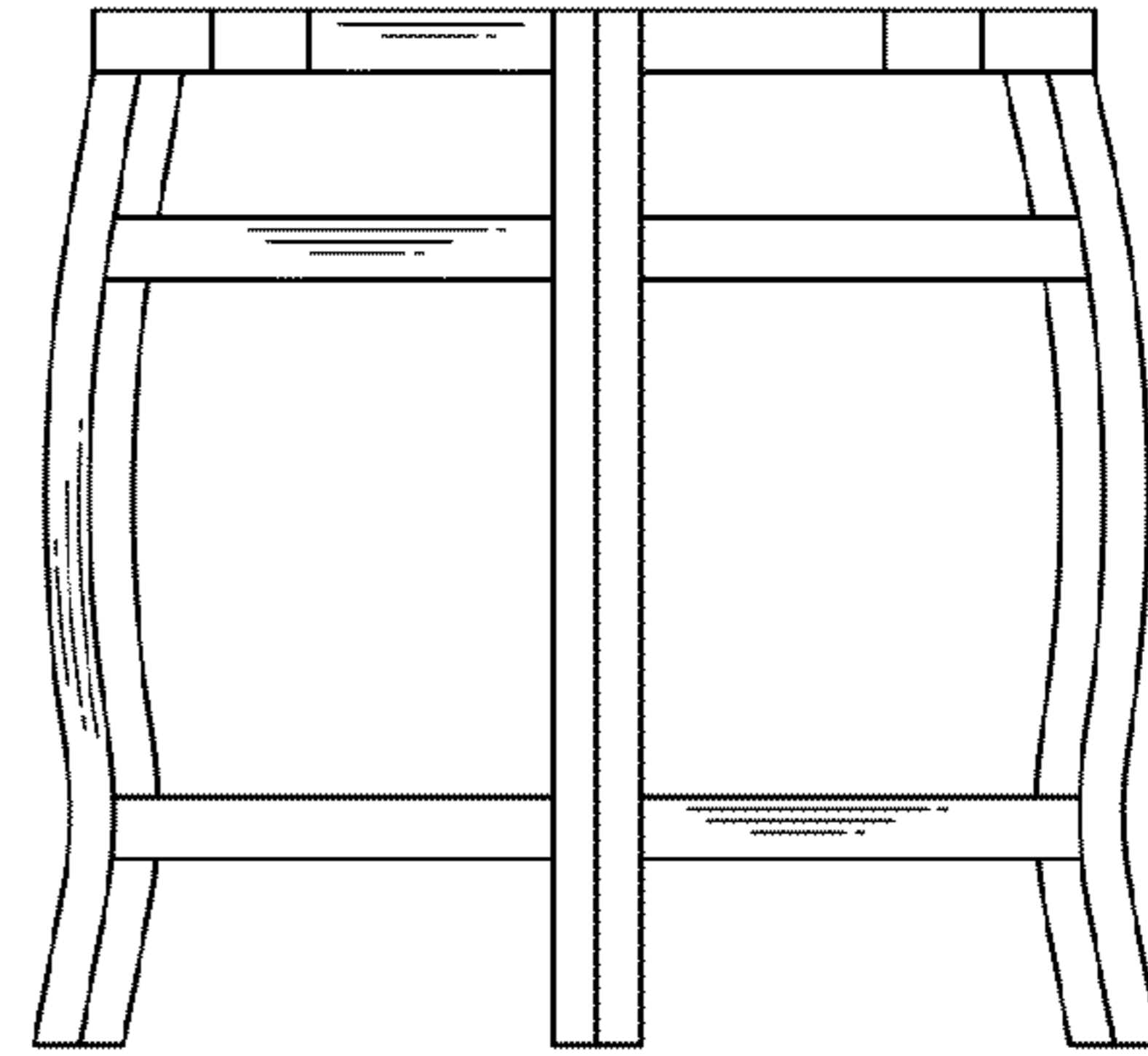


Fig. 4

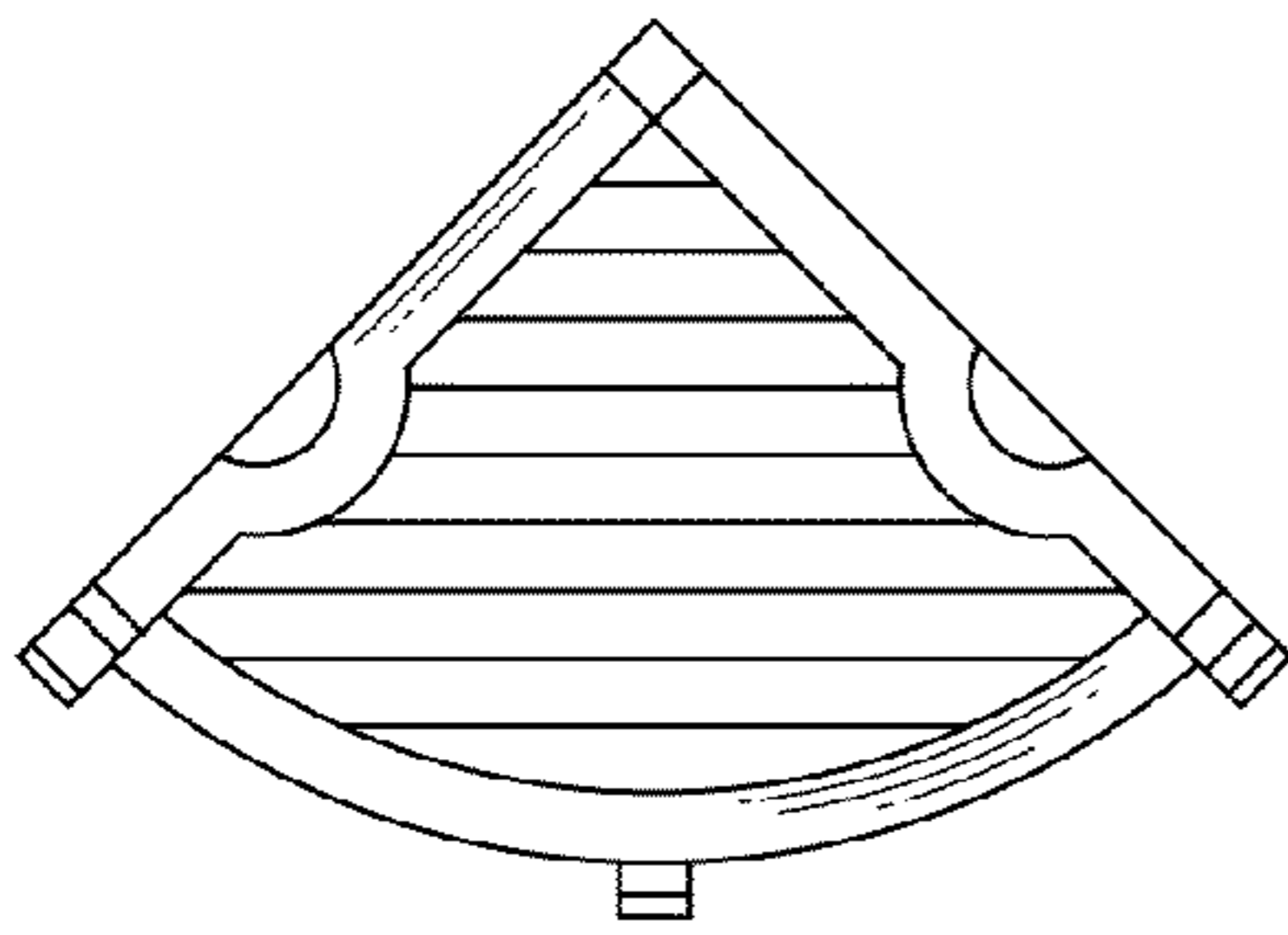


Fig. 5

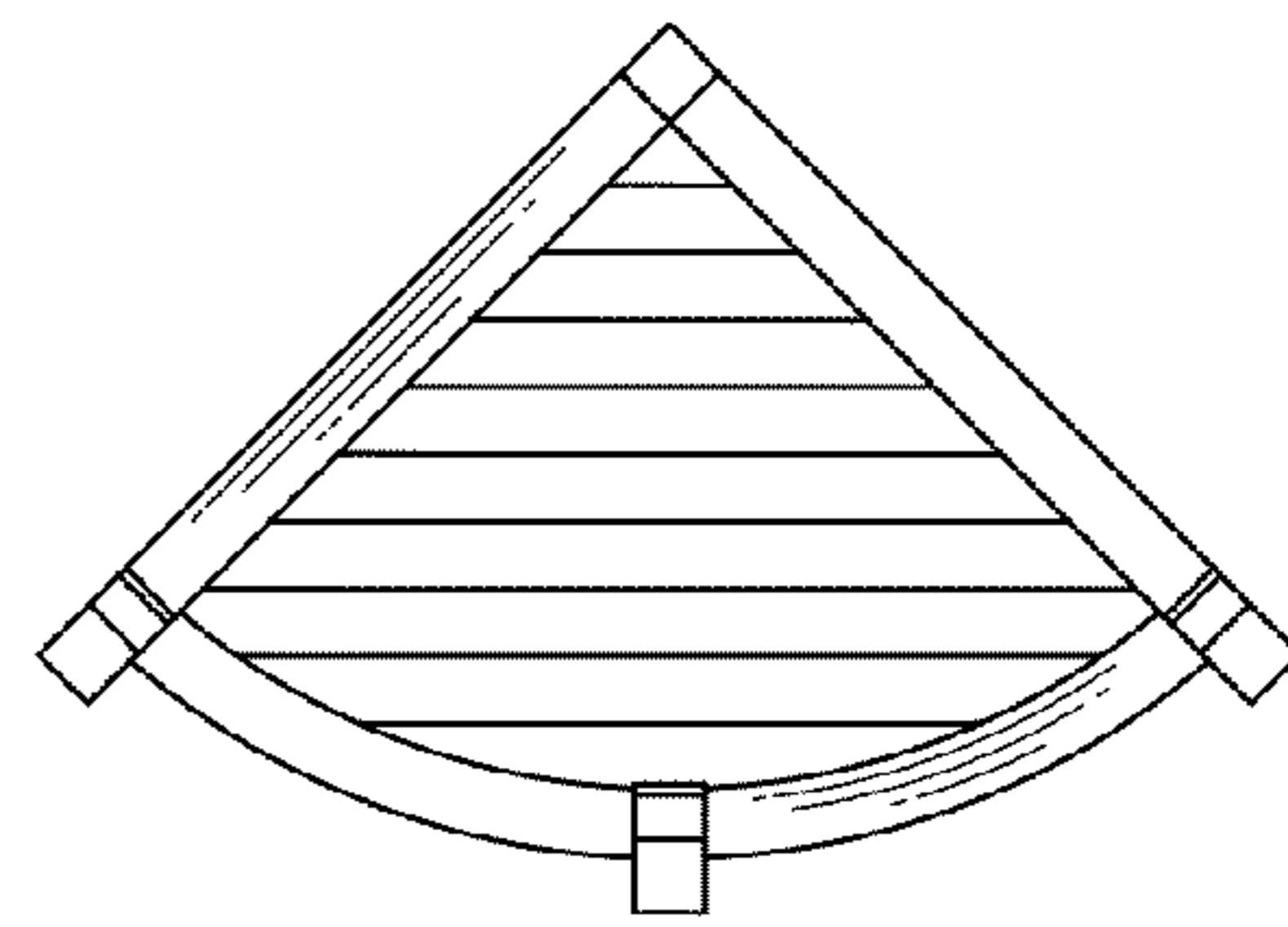


Fig. 6

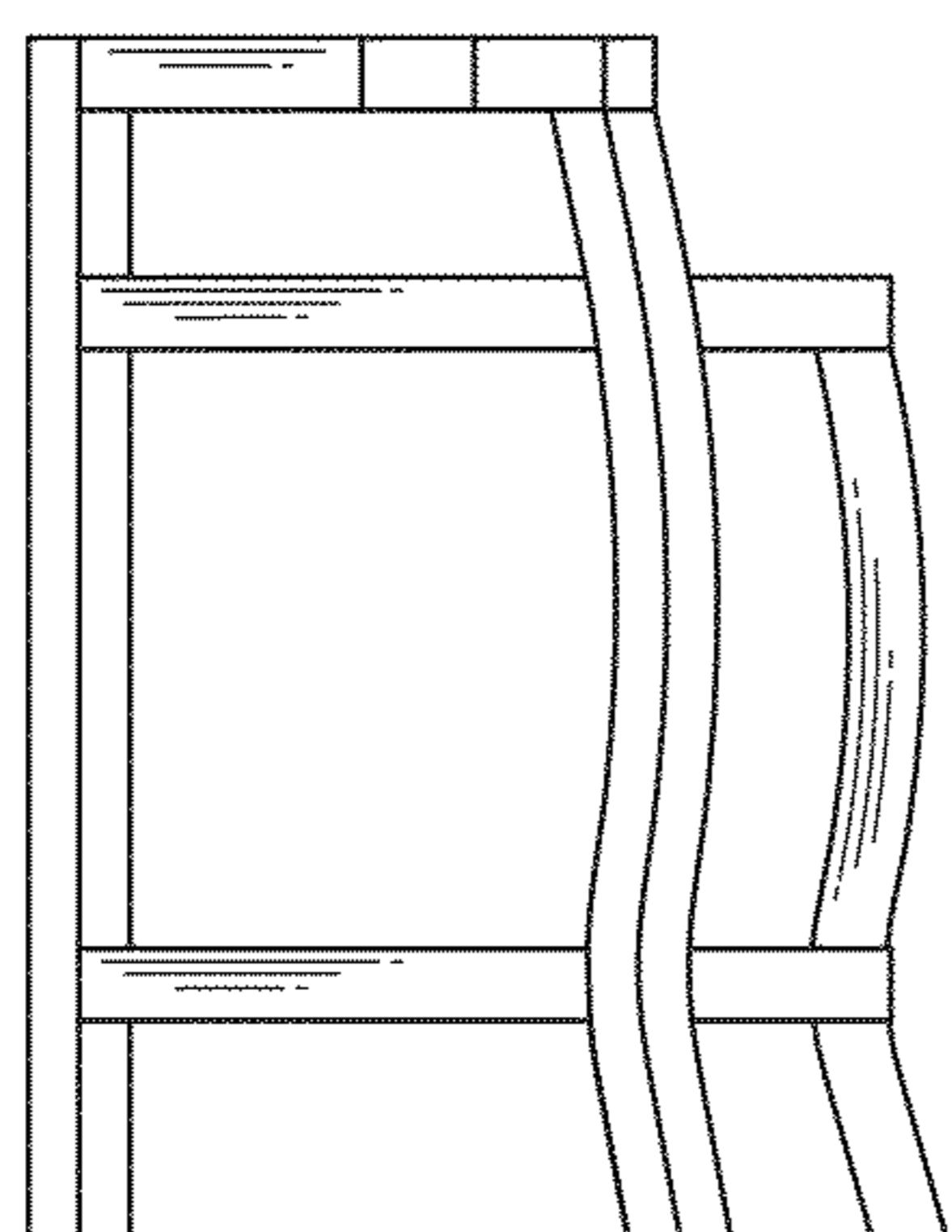


Fig. 7

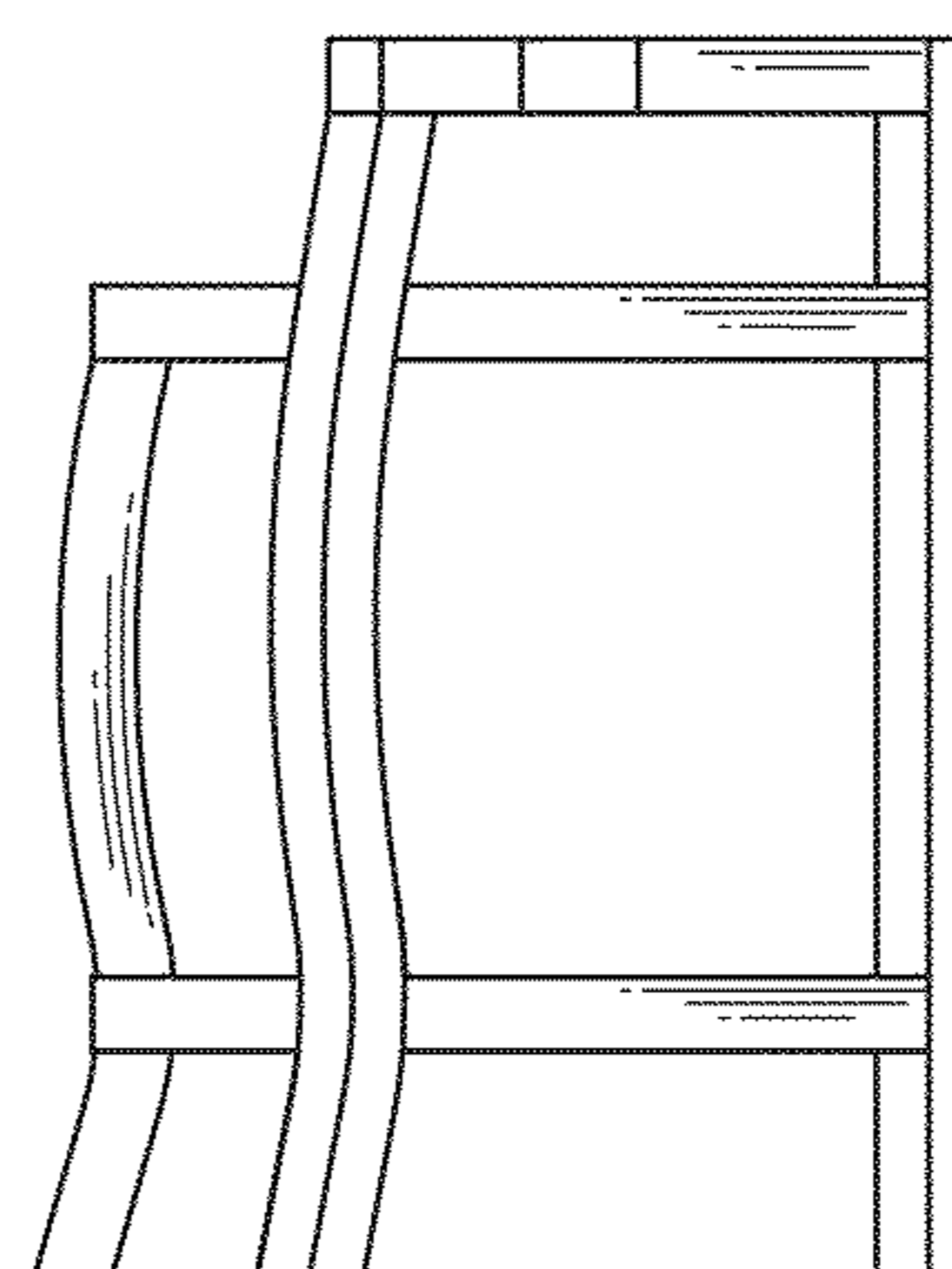


Fig. 8