



US00D701709S

(12) **United States Design Patent**
Wills

(10) **Patent No.:** **US D701,709 S**

(45) **Date of Patent:** **** Apr. 1, 2014**

- (54) **ROLLER BLIND IDLER PIN**
- (71) Applicant: **Norman Wills**, Mississauga (CA)
- (72) Inventor: **Norman Wills**, Mississauga (CA)
- (**) Term: **14 Years**
- (21) Appl. No.: **29/458,506**
- (22) Filed: **Jun. 20, 2013**
- (51) **LOC (10) Cl.** **06-10**
- (52) **U.S. Cl.**
USPC **D6/580**
- (58) **Field of Classification Search**
USPC D6/575, 577, 579, 580; D8/349, 368,
D8/369, 376, 382; 160/84.01-84.08, 107,
160/108, 111, 113, 130, 133, 176.1 P, 237,
160/330, DIG. 6, 902; 248/252, 266, 271
See application file for complete search history.

- D658,480 S * 5/2012 Pratt D8/349
- D658,481 S * 5/2012 Pratt D8/349
- D659,457 S * 5/2012 Di Stefano D6/580
- D690,133 S * 9/2013 Wu D6/580

* cited by examiner

Primary Examiner — Karen S Acker

(74) *Attorney, Agent, or Firm* — Schmeiser, Olsen & Watts, LLP

(57) **CLAIM**

I claim the ornamental design for a roller blind idler pin, as shown and described.

DESCRIPTION

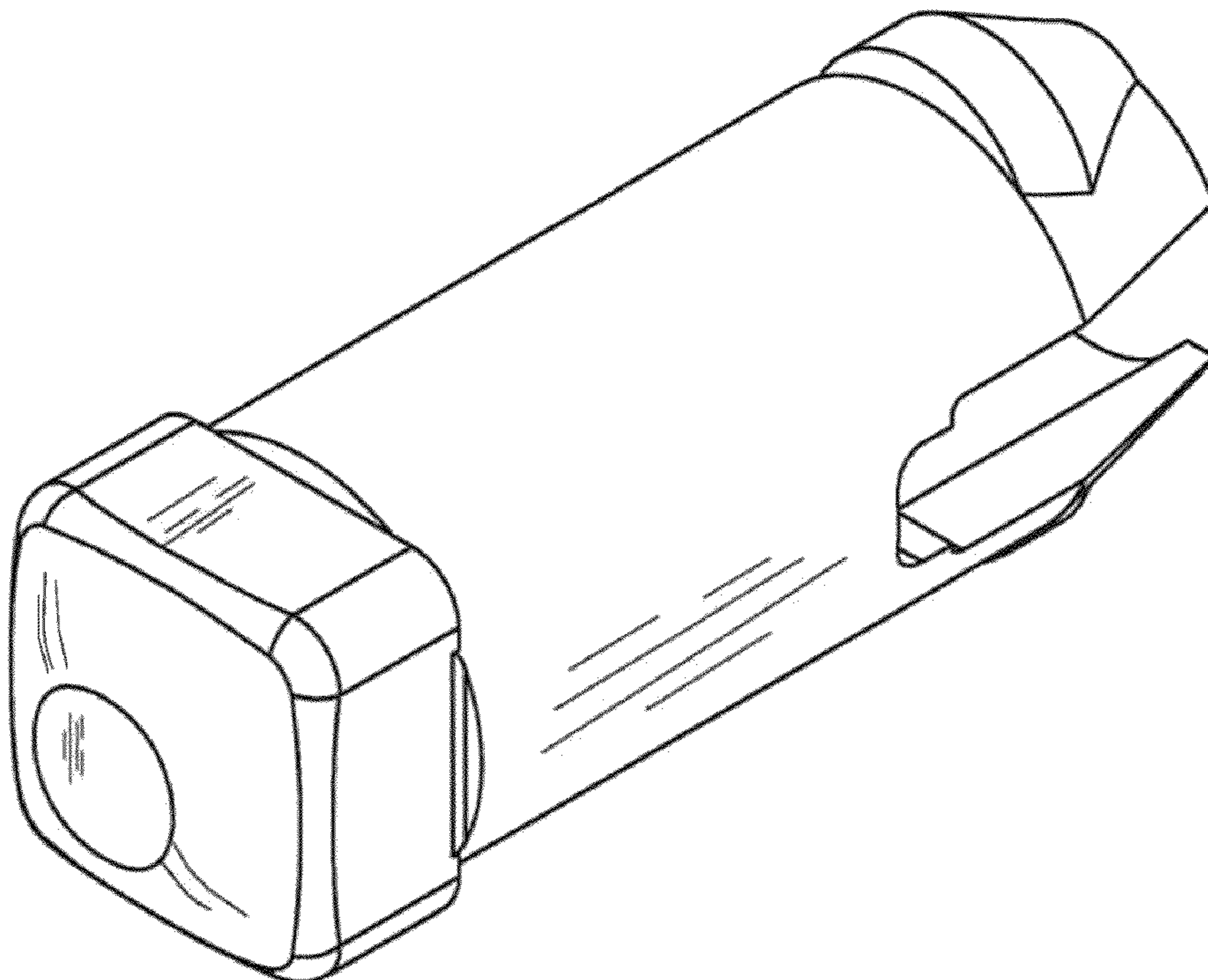
FIG. 1 is an upper side perspective view of the roller blind idler pin;
 FIG. 2 is a top plan view of the roller blind idler pin shown in FIG. 1;
 FIG. 3 is a right hand end view of the roller blind idler pin shown in FIG. 1;
 FIG. 4 is a left hand end view of the roller blind idler pin shown in FIG. 1;
 FIG. 5 is a side elevational view of the roller blind idler pin shown in FIG. 1;
 FIG. 6 is a side elevational view opposite to that shown in FIG. 5; and,
 FIG. 7 is a bottom view of the roller blind idler pin shown in FIG. 1.

(56) **References Cited**

U.S. PATENT DOCUMENTS

- D329,350 S * 9/1992 Jian D6/580
- D335,230 S * 5/1993 Hershey D6/491
- 5,396,945 A * 3/1995 Meyer 160/177 R
- 5,987,709 A * 11/1999 Chou 24/116 A
- D427,054 S * 6/2000 Markarian D8/400
- 6,173,825 B1 * 1/2001 Liu 192/223.4
- 6,457,688 B1 * 10/2002 Welfonder 248/266
- D507,141 S * 7/2005 Allsopp D6/580
- D631,275 S * 1/2011 Barnes D6/580

1 Claim, 7 Drawing Sheets



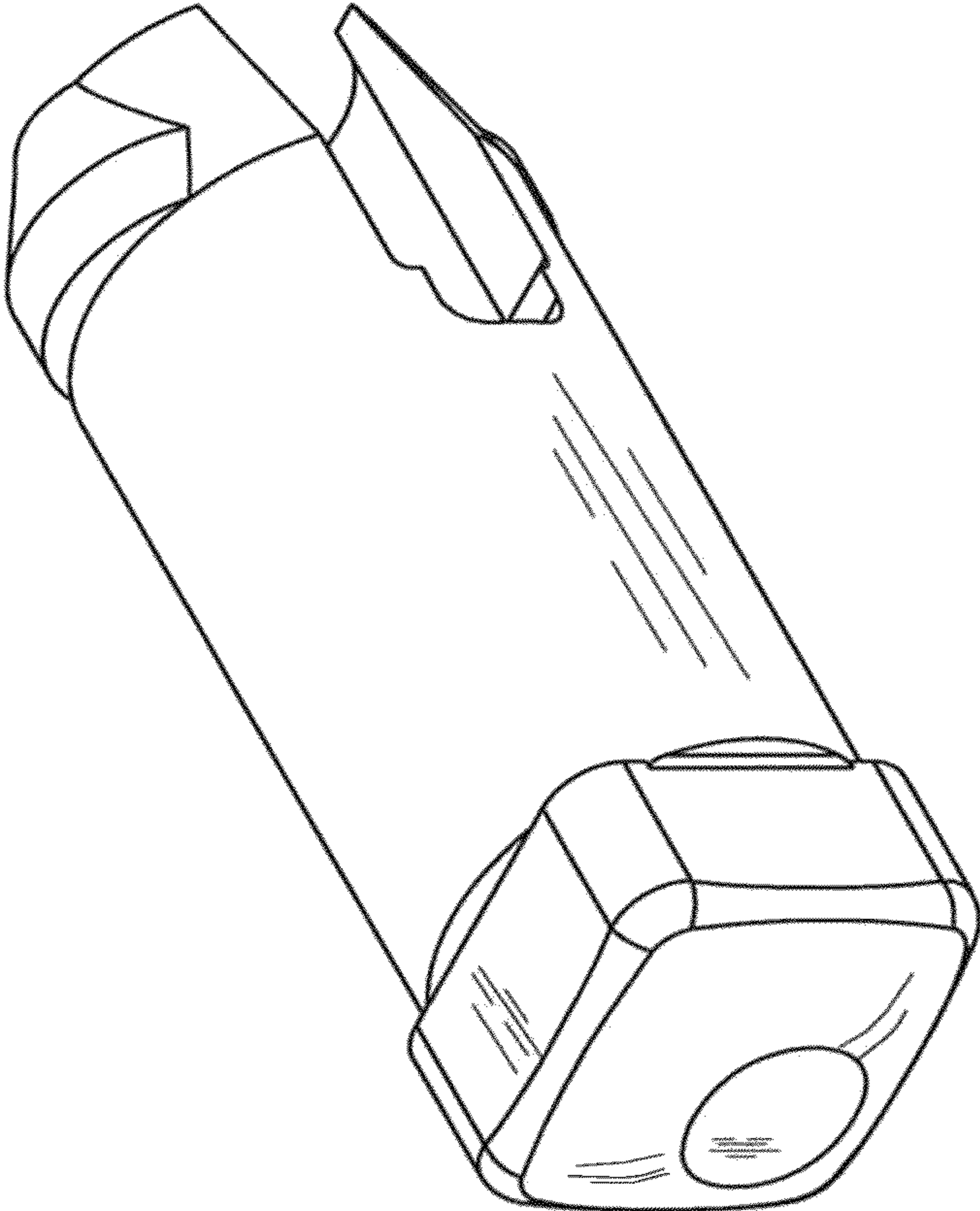


Fig. 1

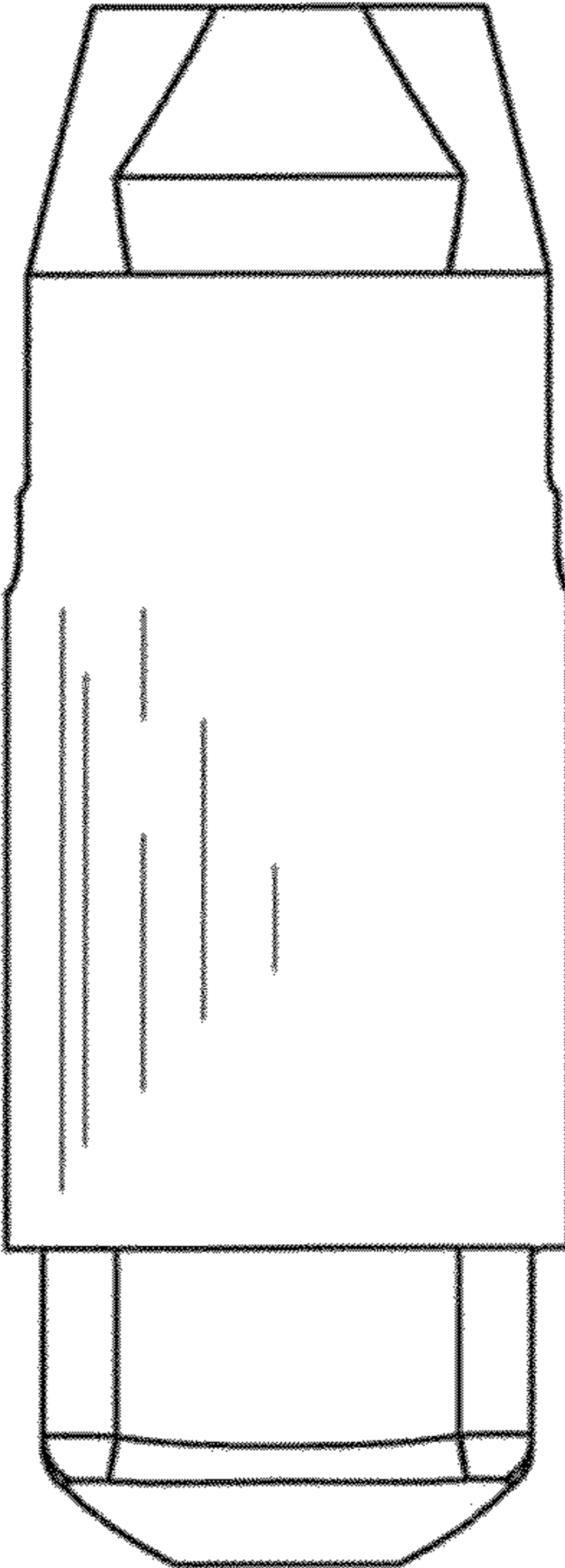


Fig.2

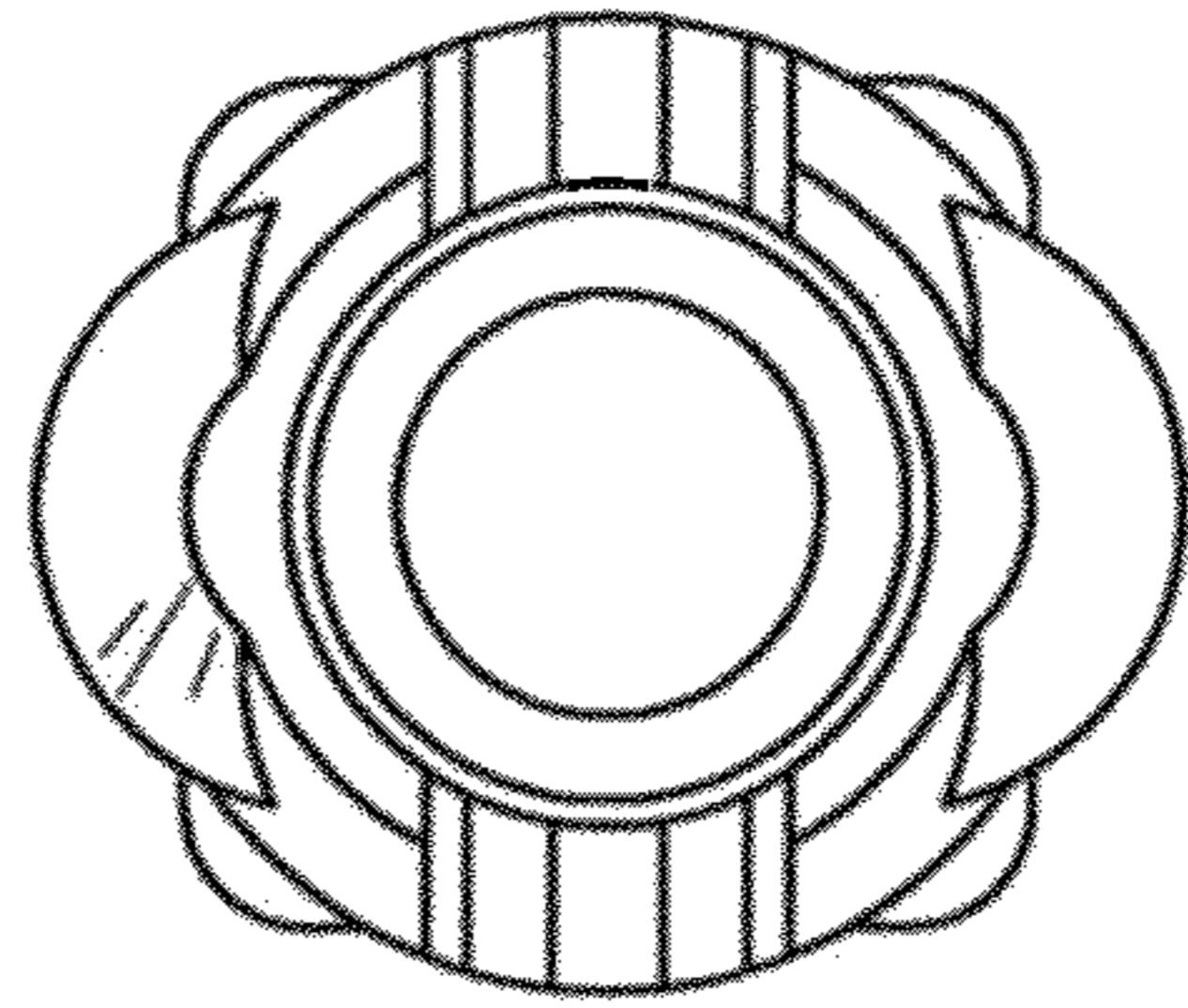


Fig.3

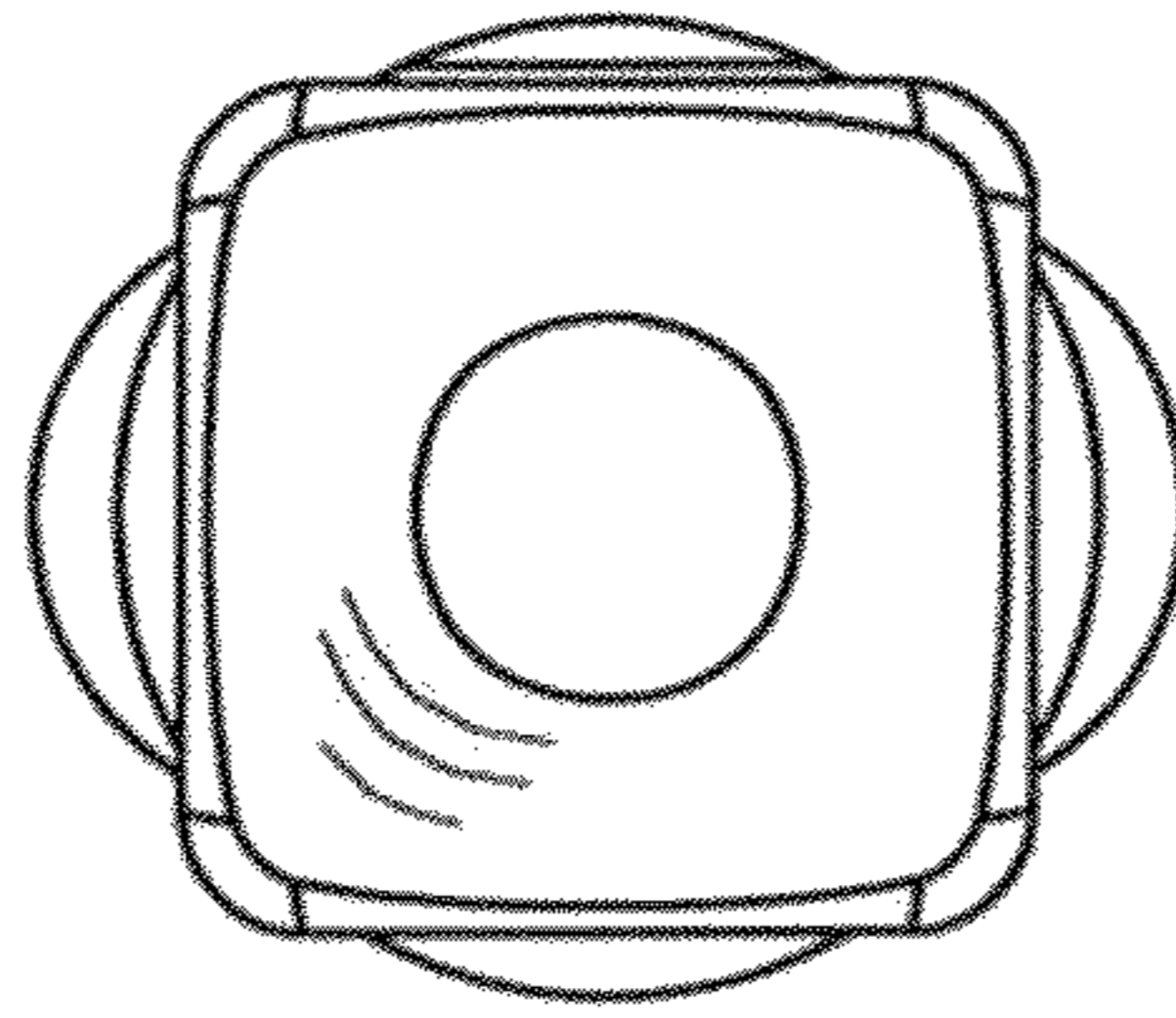


Fig. 4

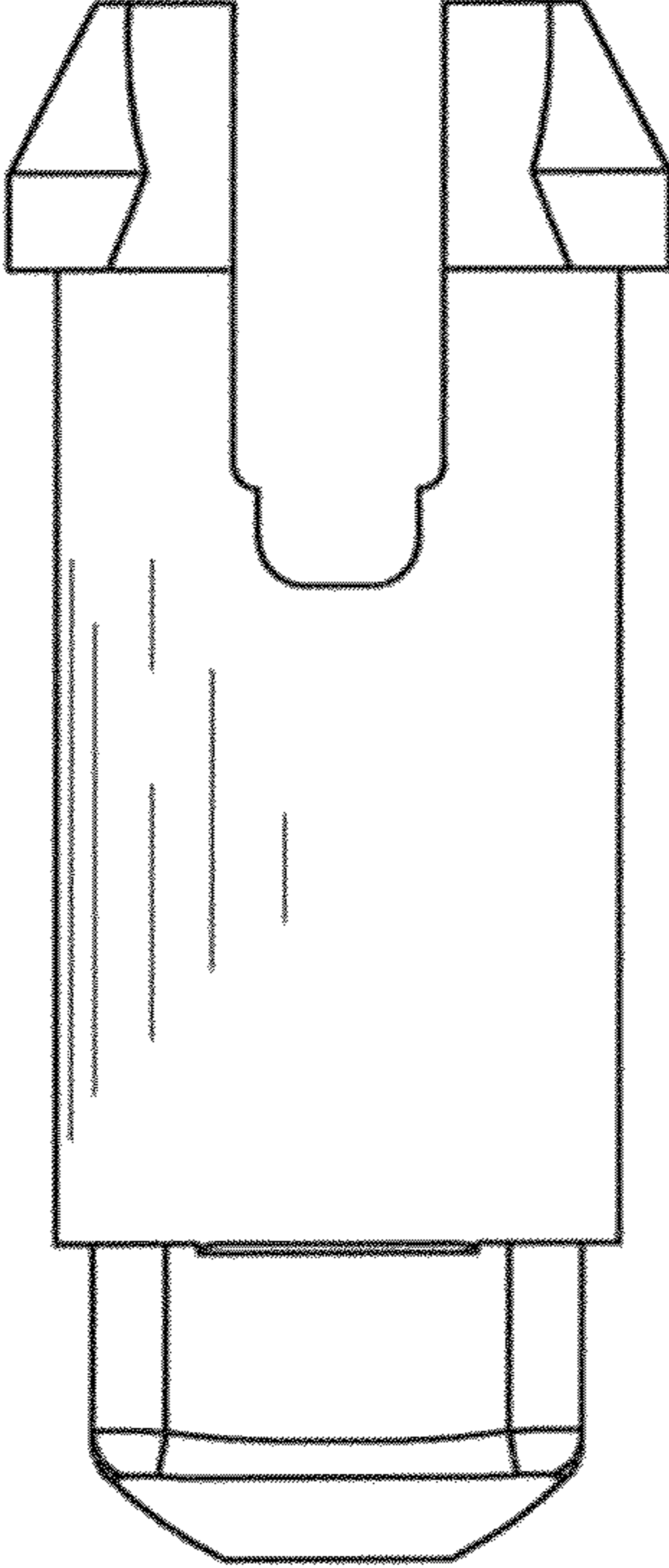


Fig. 5

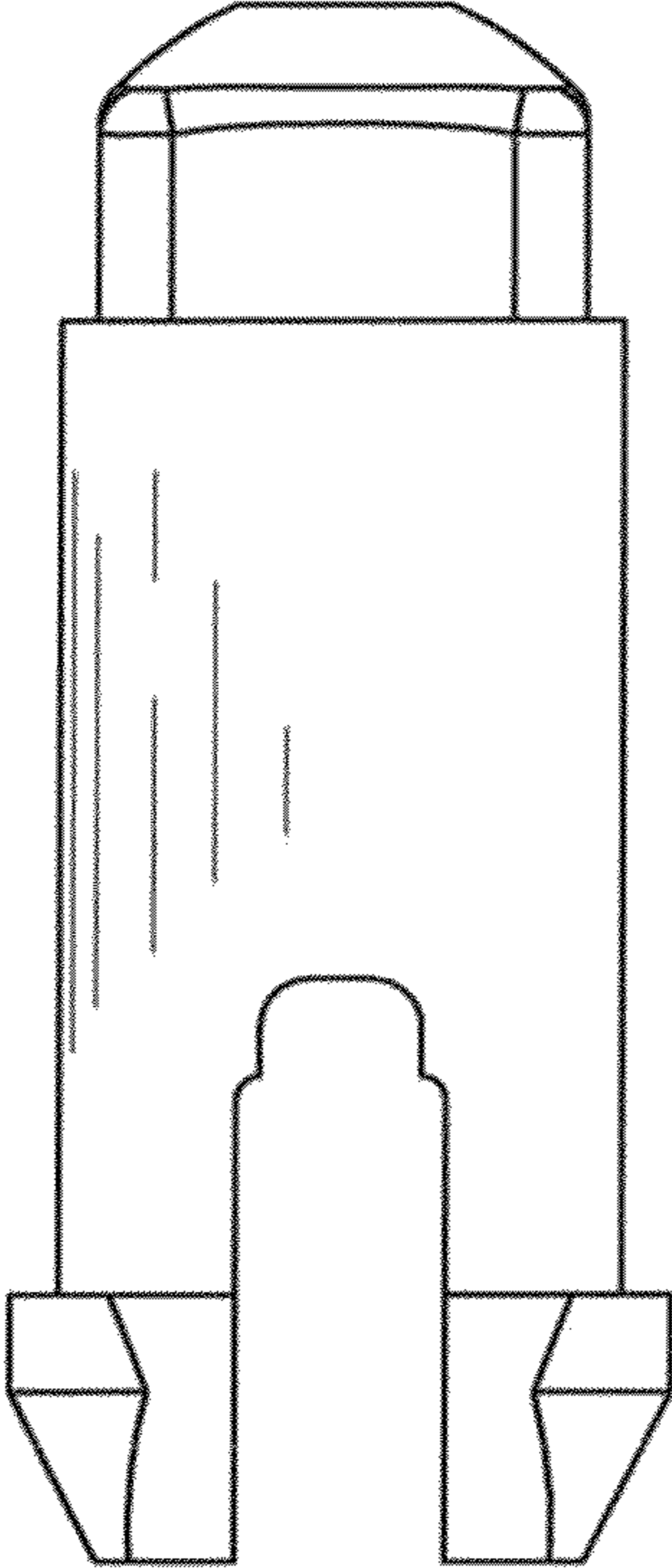


Fig. 6

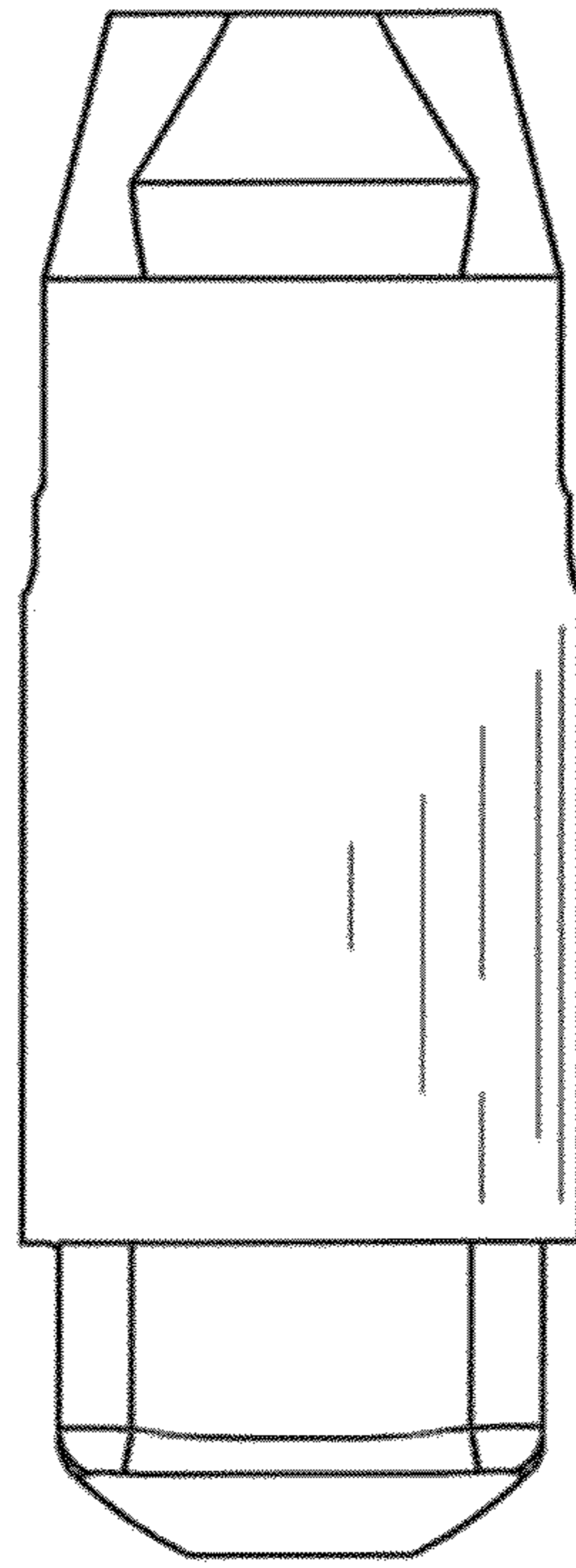


Fig. 7