



US00D701708S

(12) **United States Design Patent**
Vagliardo

(10) **Patent No.:** **US D701,708 S**
(45) **Date of Patent:** **** Apr. 1, 2014**

(54) **POCKET FOR A SHOWER CURTAIN,
SHOWER CURTAIN LINER, SHOWER
CURTAIN PANEL, OR THE LIKE**

(71) Applicant: **Glenoit, LLC**, Goldsboro, NC (US)

(72) Inventor: **Courtney J. Vagliardo**, Brooklyn, NY
(US)

(73) Assignee: **Glenoit LLC**, Goldsboro, NC (US)

(**) Term: **14 Years**

(21) Appl. No.: **29/440,803**

(22) Filed: **Dec. 27, 2012**

Related U.S. Application Data

(63) Continuation of application No. 29/401,270, filed on
Sep. 9, 2011, now Pat. No. Des. 683,564.

(51) **LOC (10) Cl.** **06-10**

(52) **U.S. Cl.**
USPC **D6/580**

(58) **Field of Classification Search**
USPC D6/575, 577, 579, 580; D8/349, 368,
D8/369, 376, 382; 160/84.01-84.08, 107,
160/108, 111, 113, 130, 133, 176.1 P, 237,
160/330, DIG. 6, 902; 248/252, 266, 271
See application file for complete search history.

(56) **References Cited**

U.S. PATENT DOCUMENTS

298,407	A *	5/1884	Robbins	160/23.1
2,613,368	A	10/1952	Rosenbaum		
2,725,606	A *	12/1955	Persson	160/90
2,817,850	A	12/1957	Barbour et al.		
3,653,685	A *	4/1972	Friend	280/762
D231,291	S	4/1974	Villaran		
D370,583	S	6/1996	Fiddler		
5,533,534	A *	7/1996	Cariello et al.	132/286
5,544,369	A *	8/1996	Roberts	4/599
5,761,751	A	6/1998	Morrissey		

5,785,188	A *	7/1998	Ogden	211/88.01
6,154,894	A	12/2000	Alexander et al.		
D441,244	S *	5/2001	Jerrell et al.	D6/575
6,289,967	B1	9/2001	Moore		
6,546,571	B2 *	4/2003	Samelson	4/558
6,591,432	B1	7/2003	Feinstein et al.		
D505,582	S	5/2005	Johnson		
6,896,155	B1	5/2005	Jones et al.		
7,000,674	B1	2/2006	Johnson		
7,275,581	B2 *	10/2007	Coenraets	160/273.1
7,770,243	B1	8/2010	Wise		
D655,553	S *	3/2012	Beyda	D6/575
D686,024	S *	7/2013	Vagliardo	D6/580
2006/0080770	A1	4/2006	Rich		
2009/0151068	A1	6/2009	Rice		
2013/0061386	A1 *	3/2013	Vagliardo	4/558

* cited by examiner

Primary Examiner — Karen S Acker

(74) *Attorney, Agent, or Firm* — Alston & Bird LLP

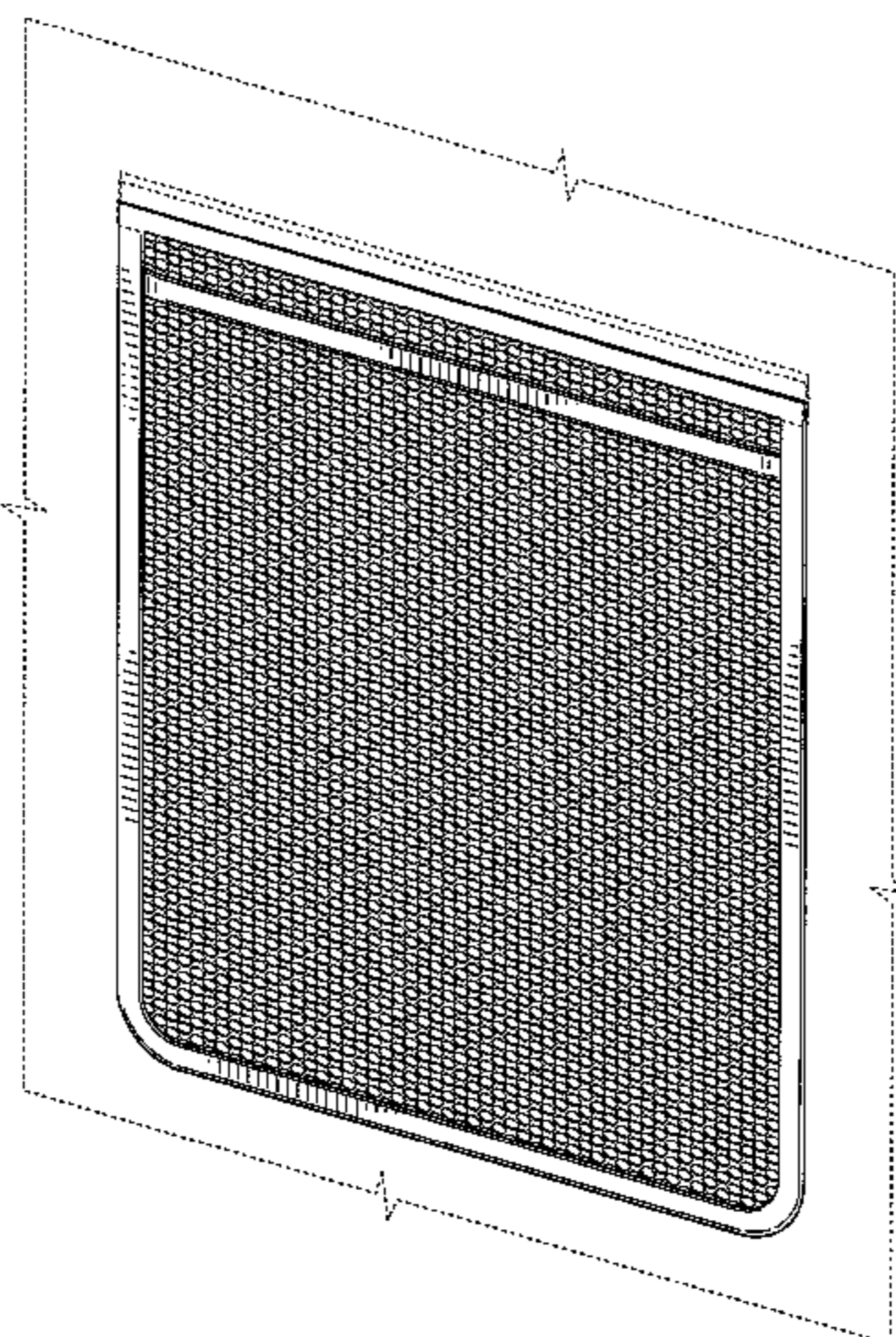
(57) **CLAIM**

The ornamental design for a pocket for a shower curtain, shower curtain liner, shower curtain panel, or the like, as shown and described.

DESCRIPTION

FIG. 1 is a perspective view of a pocket for a shower curtain, shower curtain liner, shower curtain panel, or the like according to an embodiment of my new design, shown in the environment of a portion of a shower curtain panel;
FIG. 2 is a front elevation view thereof;
FIG. 3 is a left side elevation view thereof;
FIG. 4 is a right side elevation view thereof;
FIG. 5 is an enlarged left side elevation view thereof as indicated in FIG. 3;
FIG. 6 is a top plan view thereof; and,
FIG. 7 is a bottom plan view thereof.
The broken lines are directed to environment and are for illustrative purposes only. The broken lines form no part of the claimed design.

1 Claim, 4 Drawing Sheets



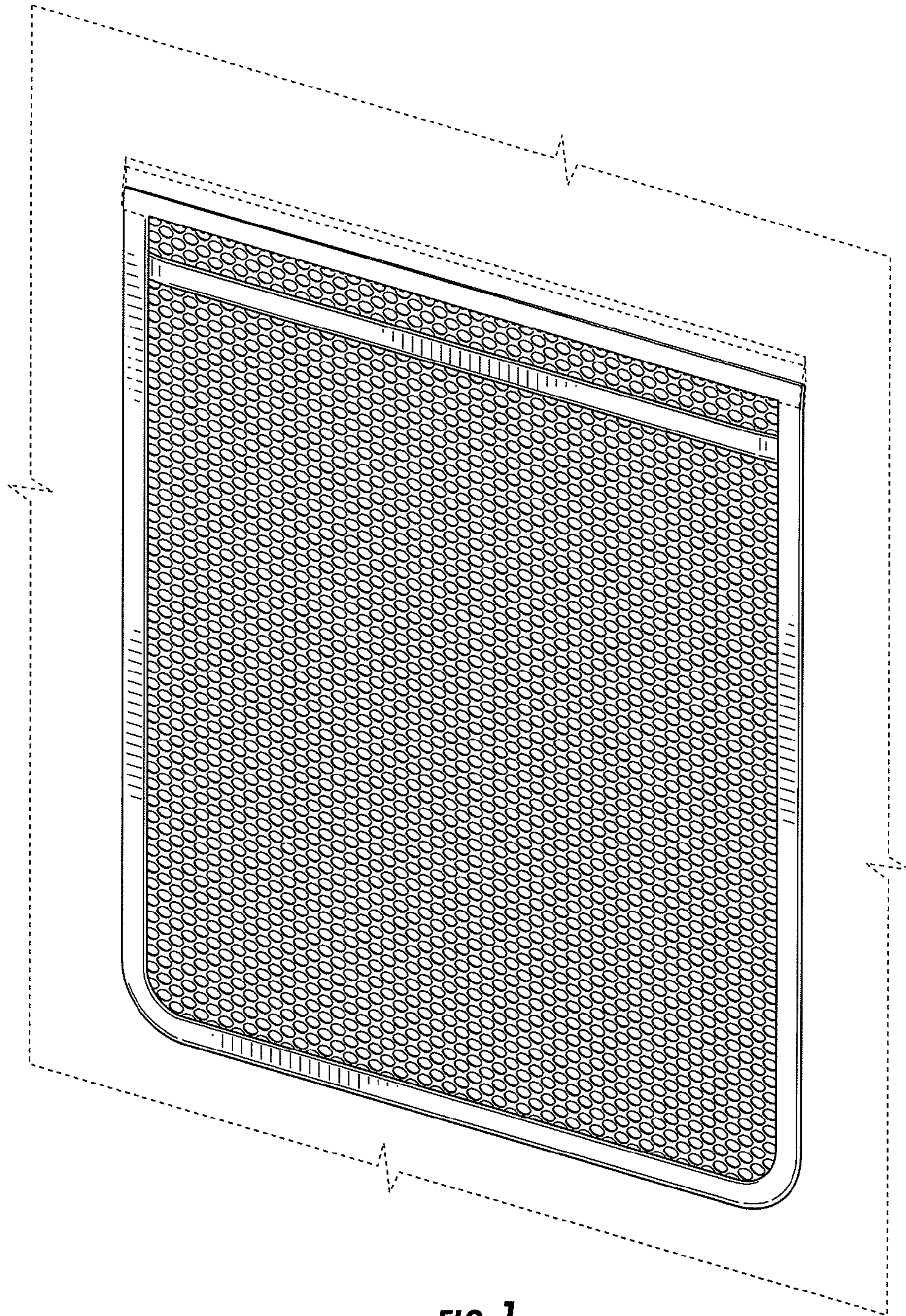


FIG. 1

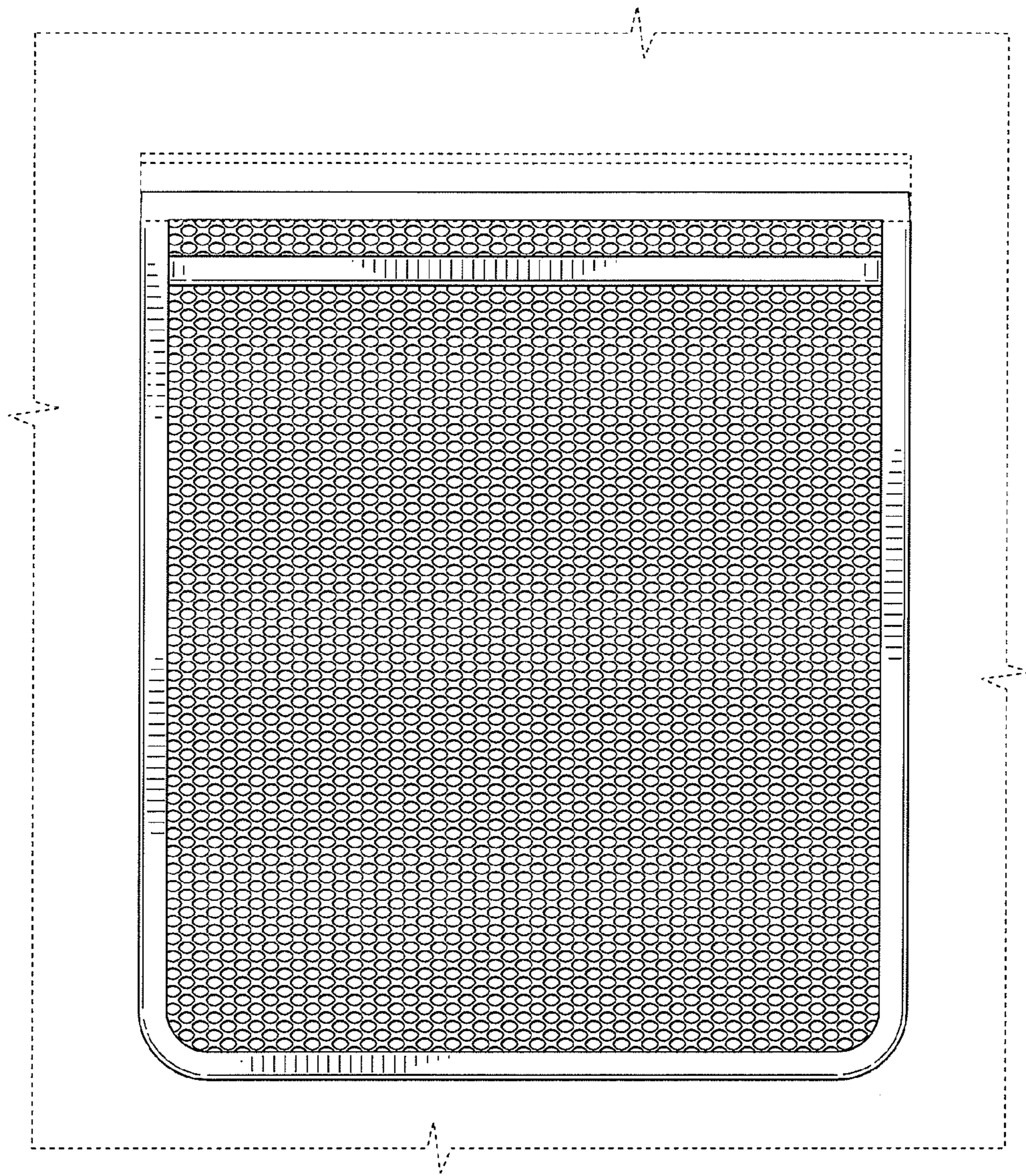


FIG. 2

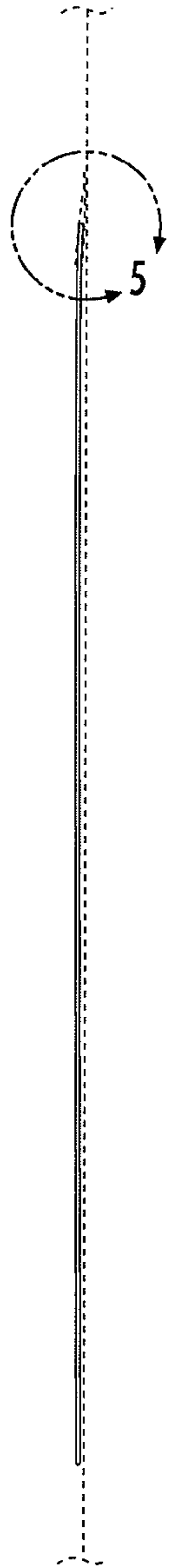


FIG. 3



FIG. 4



FIG. 5



FIG. 6



FIG. 7