



US00D701707S

(12) **United States Design Patent**
Georgeson

(10) **Patent No.:** **US D701,707 S**
(45) **Date of Patent:** **** Apr. 1, 2014**

- (54) **WALL FIXTURE**
- (71) Applicant: **Kohler Co.**, Kohler, WI (US)
- (72) Inventor: **Paul B. Georgeson**, Sheboygan, WI (US)
- (73) Assignee: **Kohler Co.**, Kohler, WI (US)
- (**) Term: **14 Years**
- (21) Appl. No.: **29/447,076**
- (22) Filed: **Feb. 28, 2013**
- (51) **LOC (10) Cl.** **23-02**
- (52) **U.S. Cl.**
USPC **D6/524; D6/550**
- (58) **Field of Classification Search**
USPC D6/518-524, 546-550; D8/300, 370, D8/315; 108/28-29; 211/13.1, 16, 85.5, 211/86.01, 87.01, 88.04, 100, 105.1, 105.2, 211/106, 113, 123, 181.1, 182-183; 248/49, 175, 176.1, 200, 201, 205.1, 248/251, 302, 309.1, 315; 242/570, 590, 242/595-598
See application file for complete search history.

(56) **References Cited**

U.S. PATENT DOCUMENTS

D520,282 S *	5/2006	Hoernig	D6/550
D563,132 S *	3/2008	Ricereto	D6/524
D655,547 S *	3/2012	Domanski	D6/524
D656,349 S *	3/2012	Sedwick	D6/524
D671,348 S *	11/2012	Cittadino	D6/550

* cited by examiner

Primary Examiner — Brian N Vinson
(74) *Attorney, Agent, or Firm* — Foley & Lardner LLP

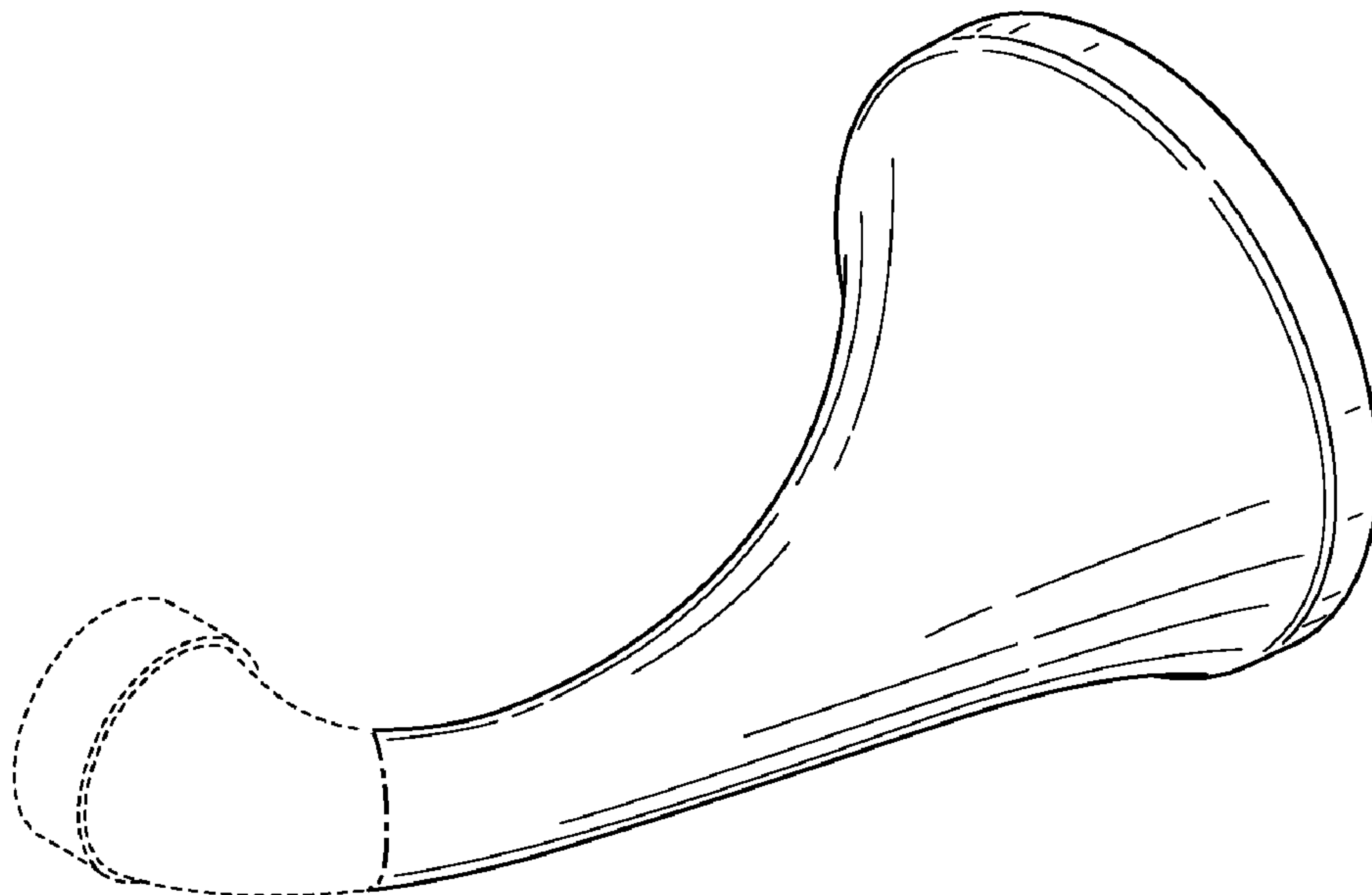
(57) **CLAIM**
I claim the ornamental design for a wall fixture, as shown and described.

DESCRIPTION

FIG. 1 is a perspective view of the claimed design;
 FIG. 2 is a front view of the claimed design shown in FIG. 1;
 FIG. 3 is a rear view of the claimed design shown in FIG. 1;
 FIG. 4 is a side view of the claimed design shown in FIG. 1;
 FIG. 5 is another side view of the claimed design shown in FIG. 1;
 FIG. 6 is a top view of the claimed design shown in FIG. 1;
 FIG. 7 is a bottom view of the claimed design shown in FIG. 1;
 FIG. 8 is a perspective view another embodiment of the claimed design;
 FIG. 9 is a front view of the claimed design shown in FIG. 8;
 FIG. 10 is a rear view of the claimed design shown in FIG. 8;
 FIG. 11 is a side view of the claimed design shown in FIG. 8;
 FIG. 12 is another side view of the claimed design shown in FIG. 8;
 FIG. 13 is a top view of the claimed design shown in FIG. 8;
 and,
 FIG. 14 is a bottom view of the claimed design shown in FIG. 8.

The ornamental design which is claimed is shown in solid lines in the drawings. The broken lines in the drawings are for illustrative purposes only and form no part of the claimed design.

1 Claim, 10 Drawing Sheets



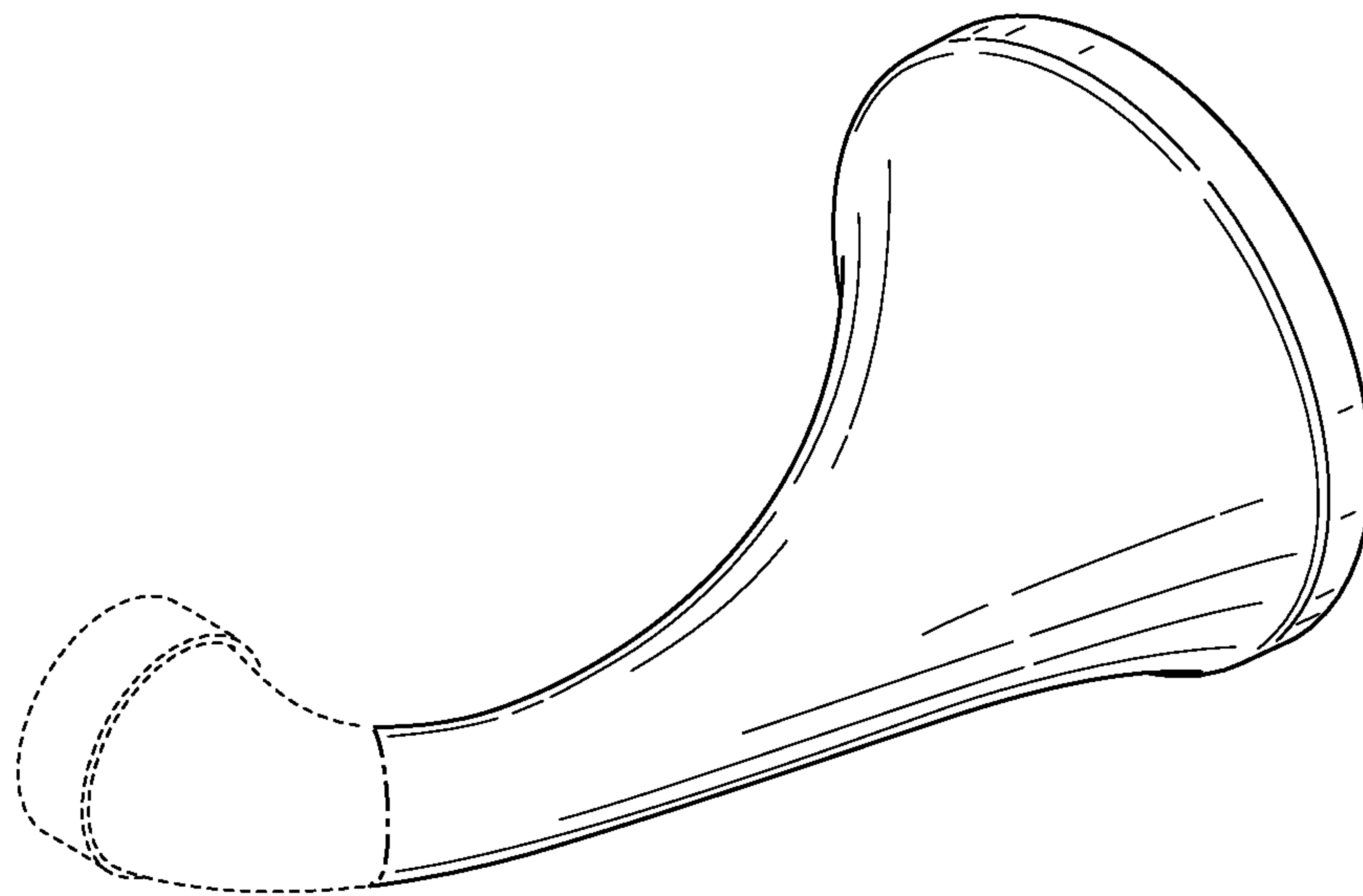


FIG. 1

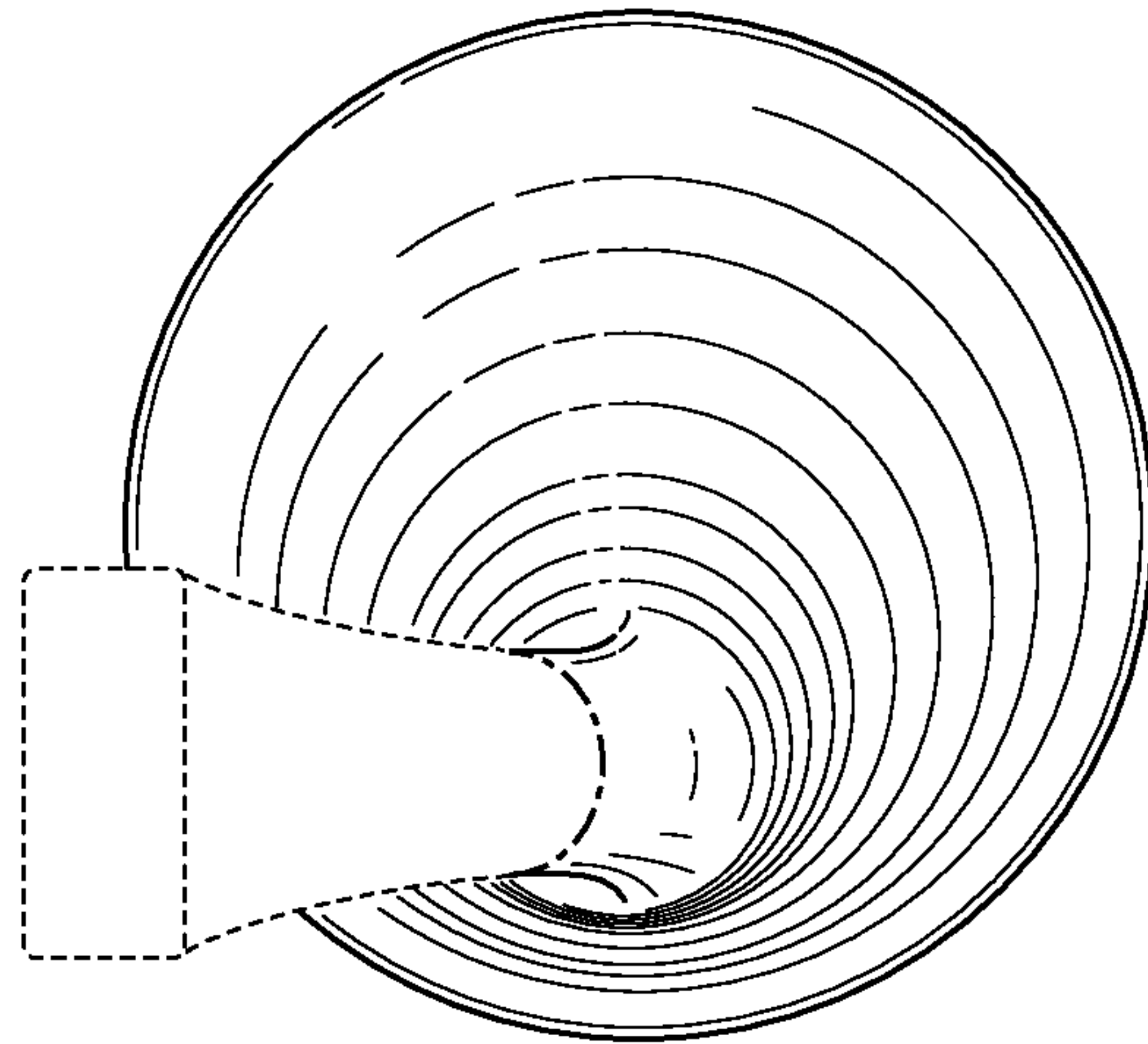


FIG. 2

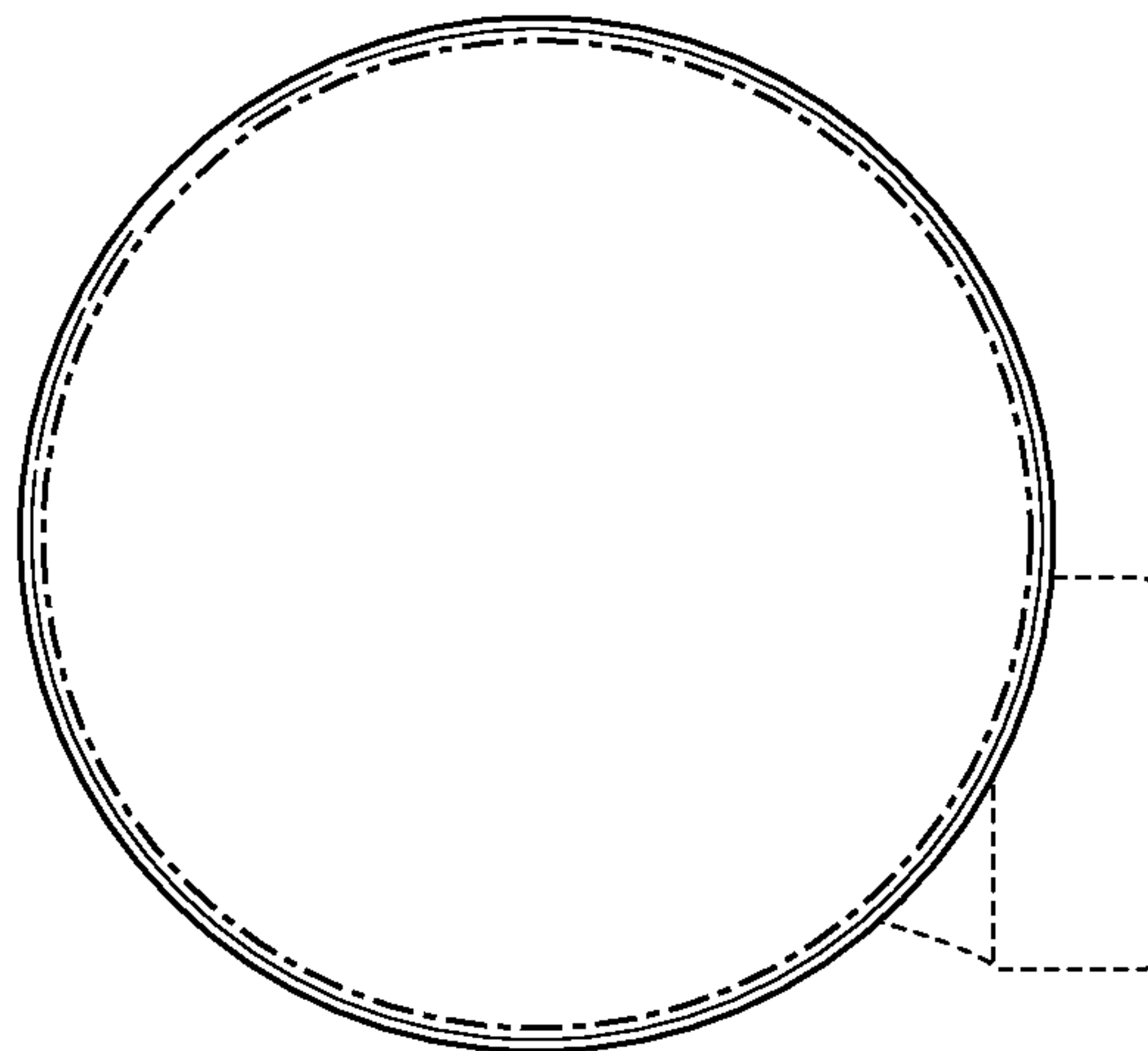


FIG. 3

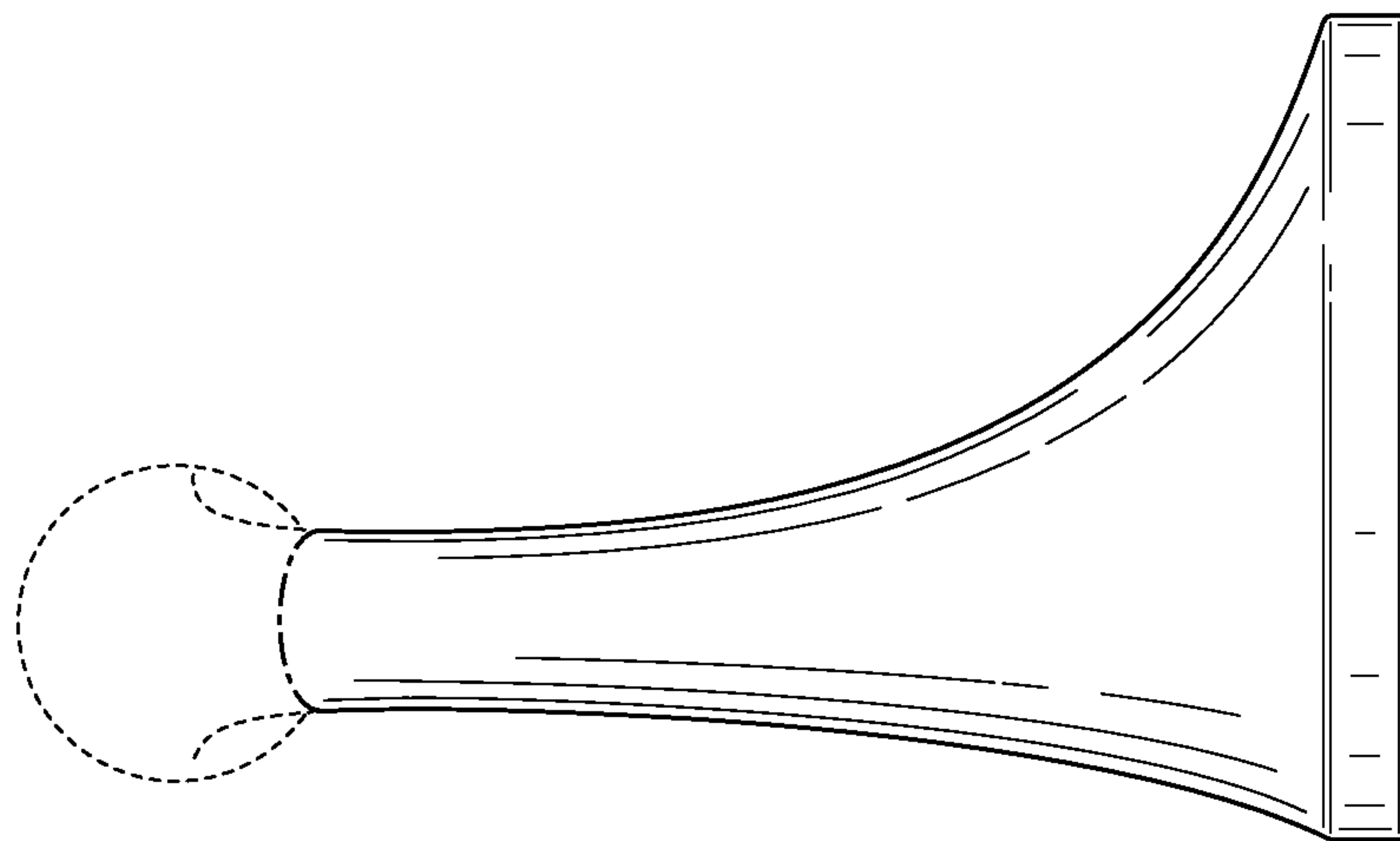


FIG. 4

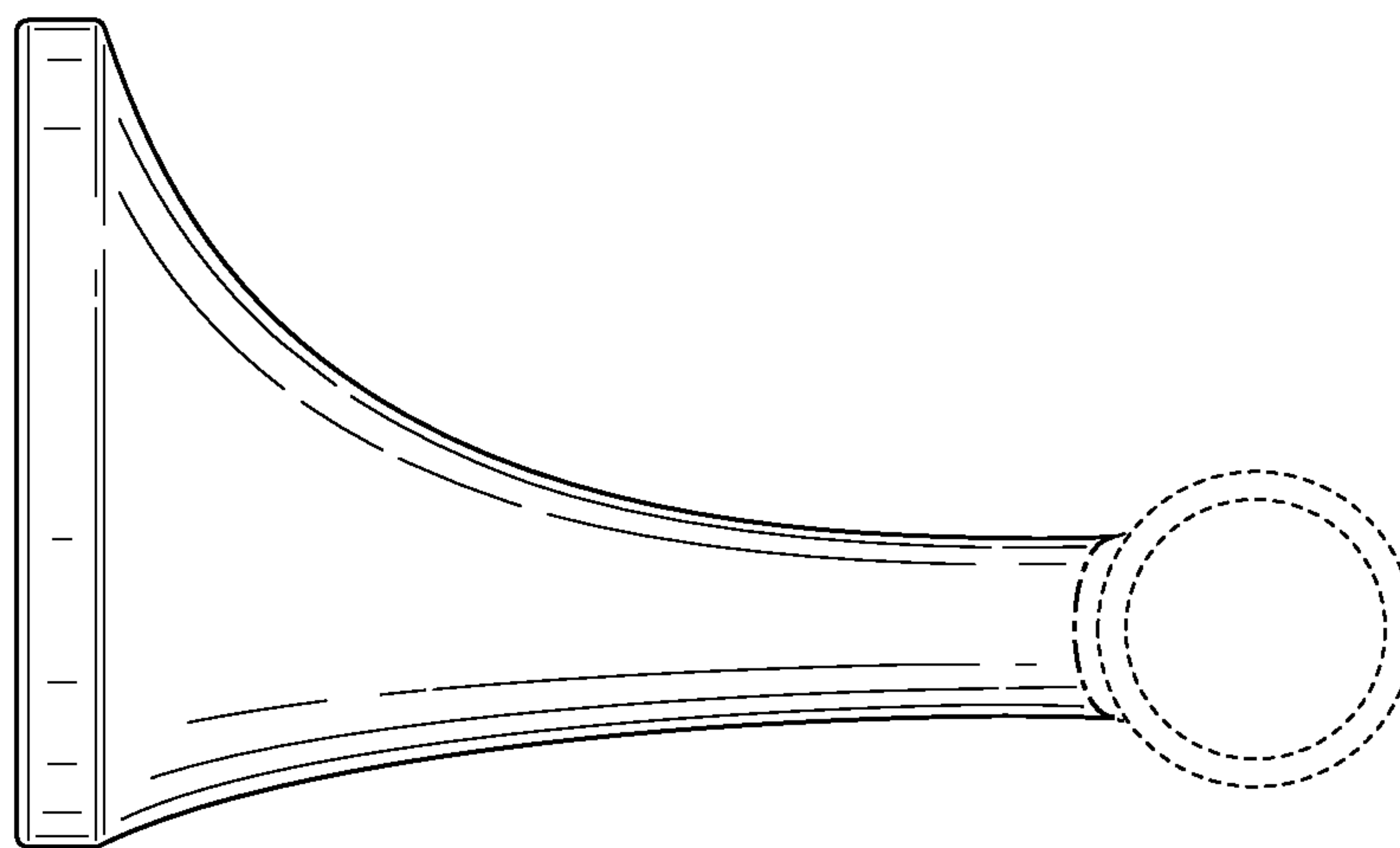


FIG. 5

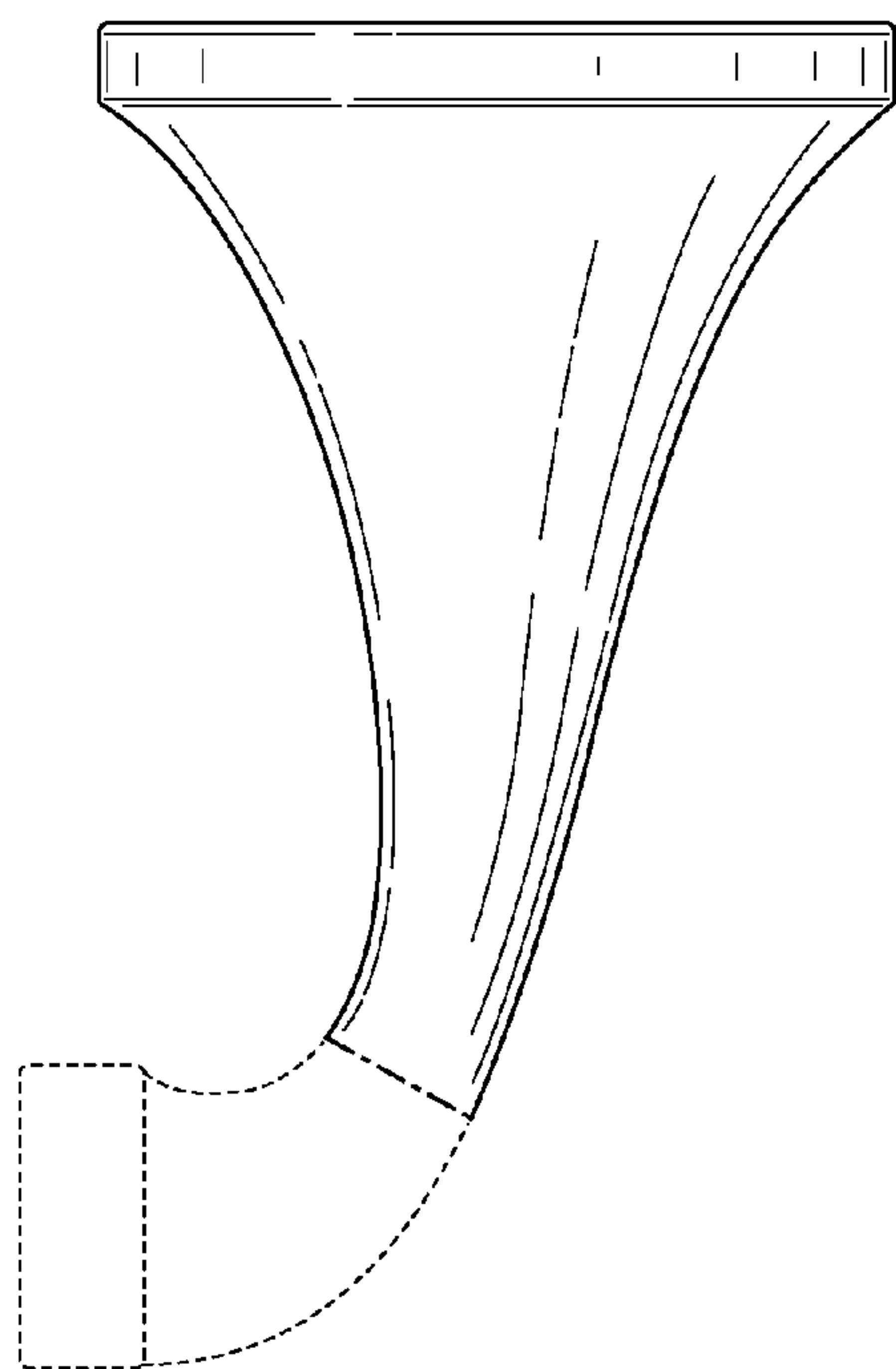


FIG. 6

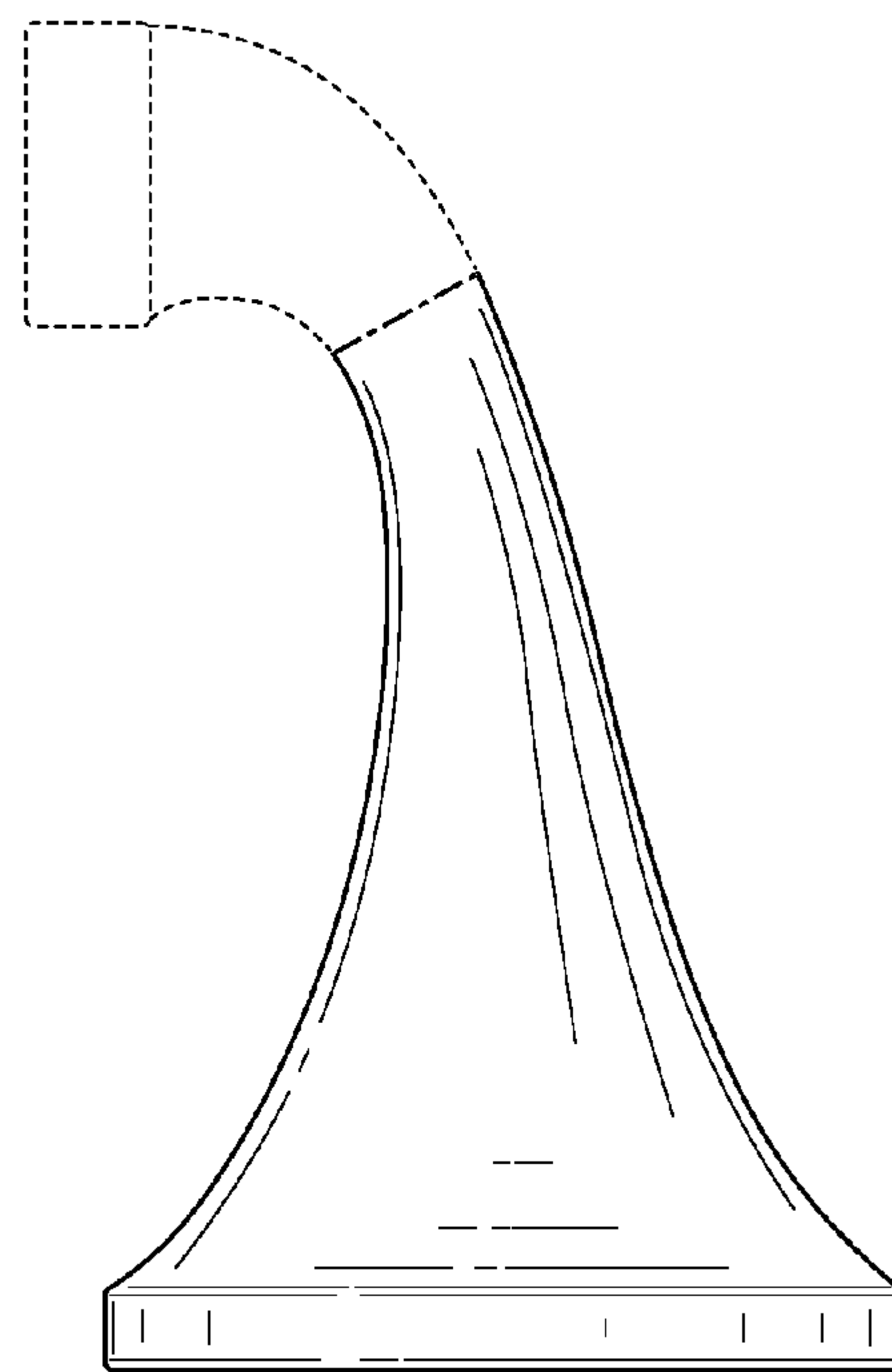


FIG. 7

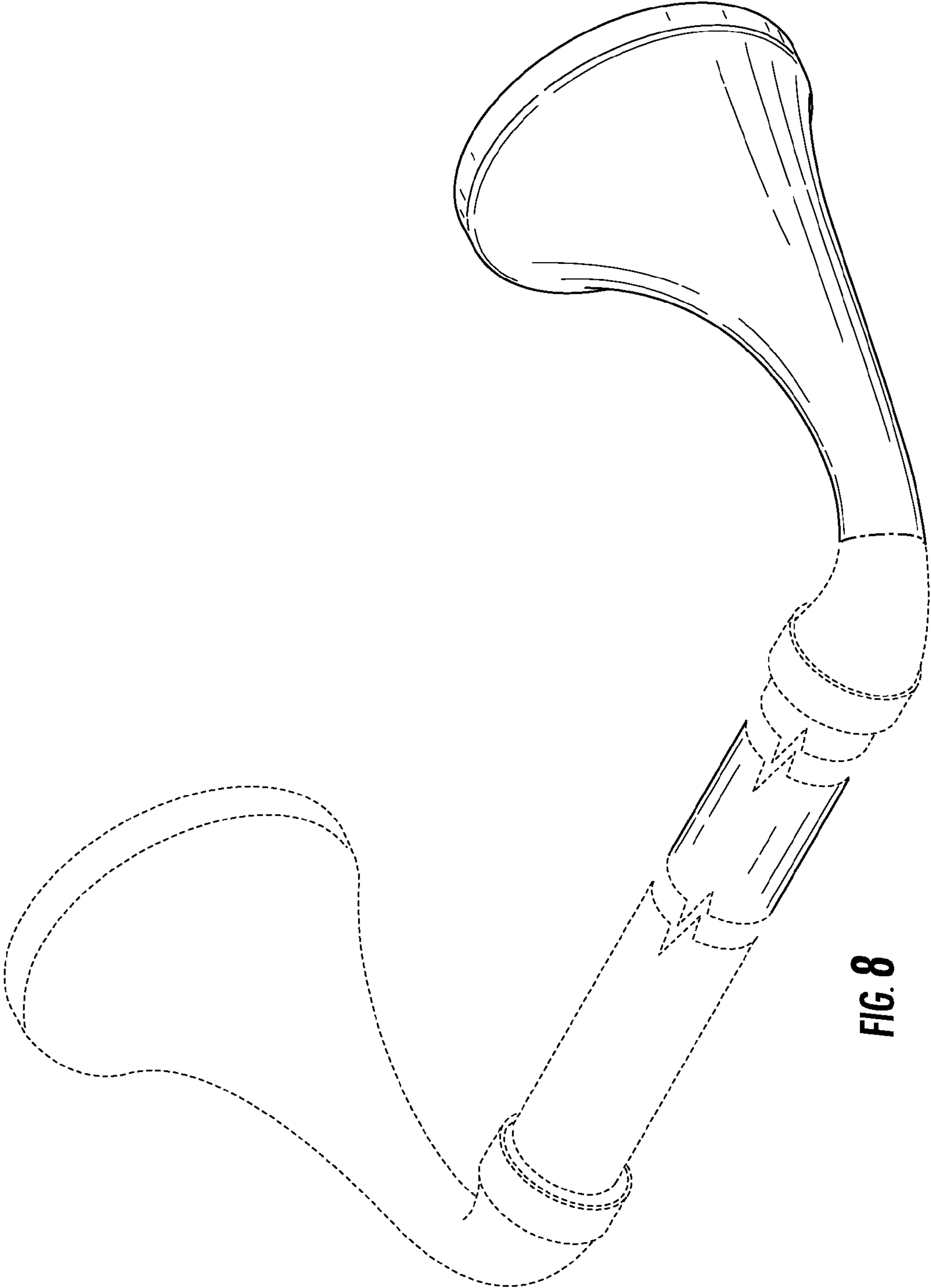


FIG. 8

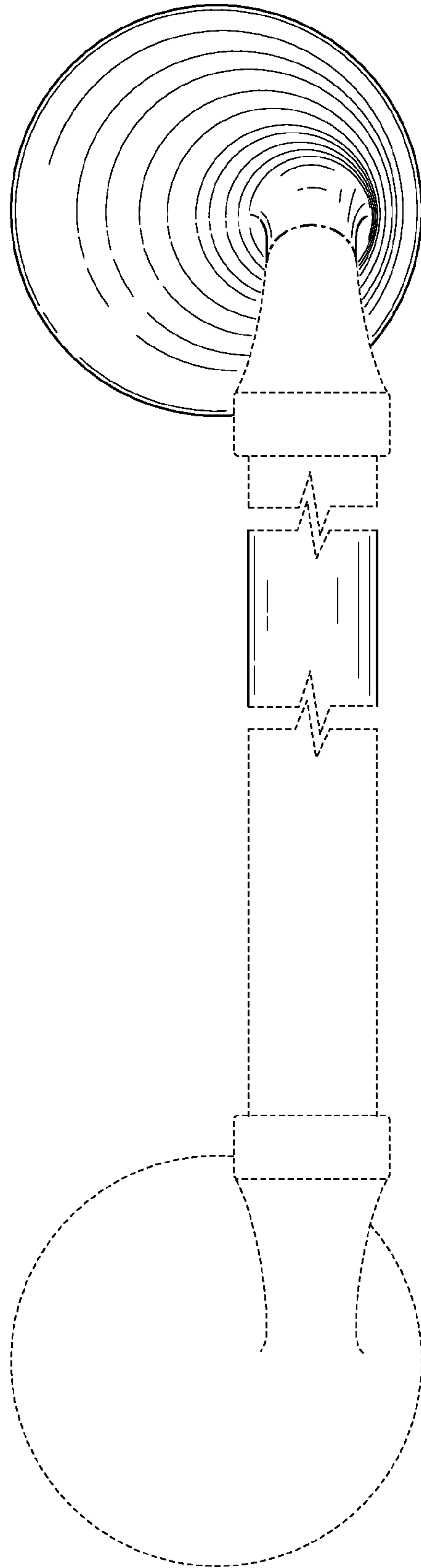


FIG. 9

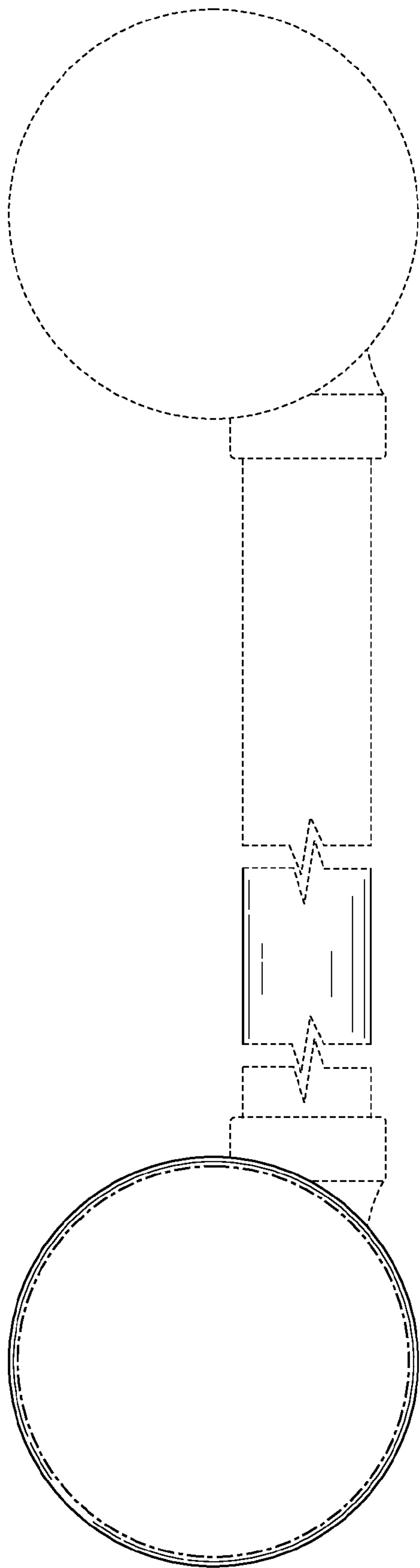


FIG. 10

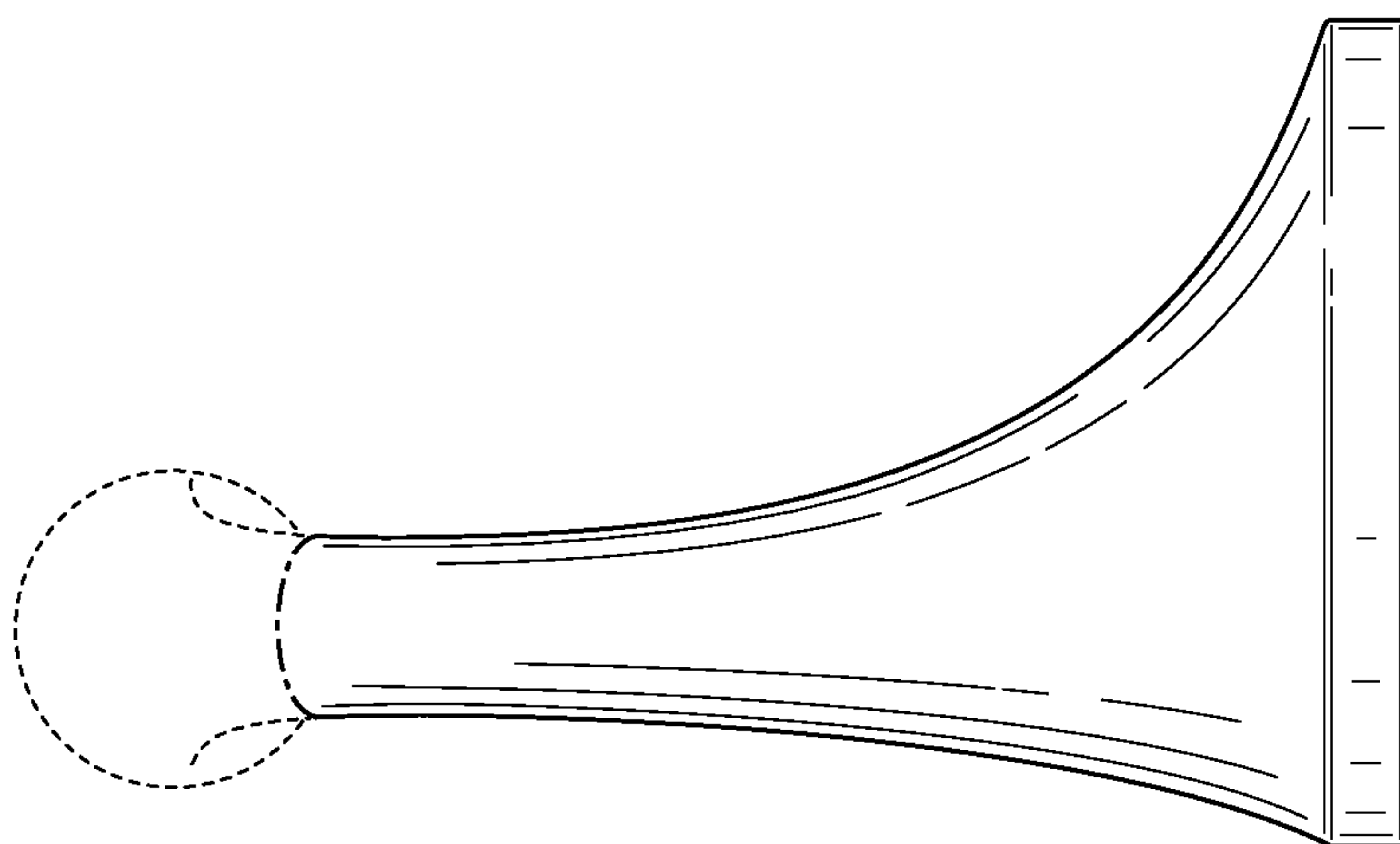


FIG. 11

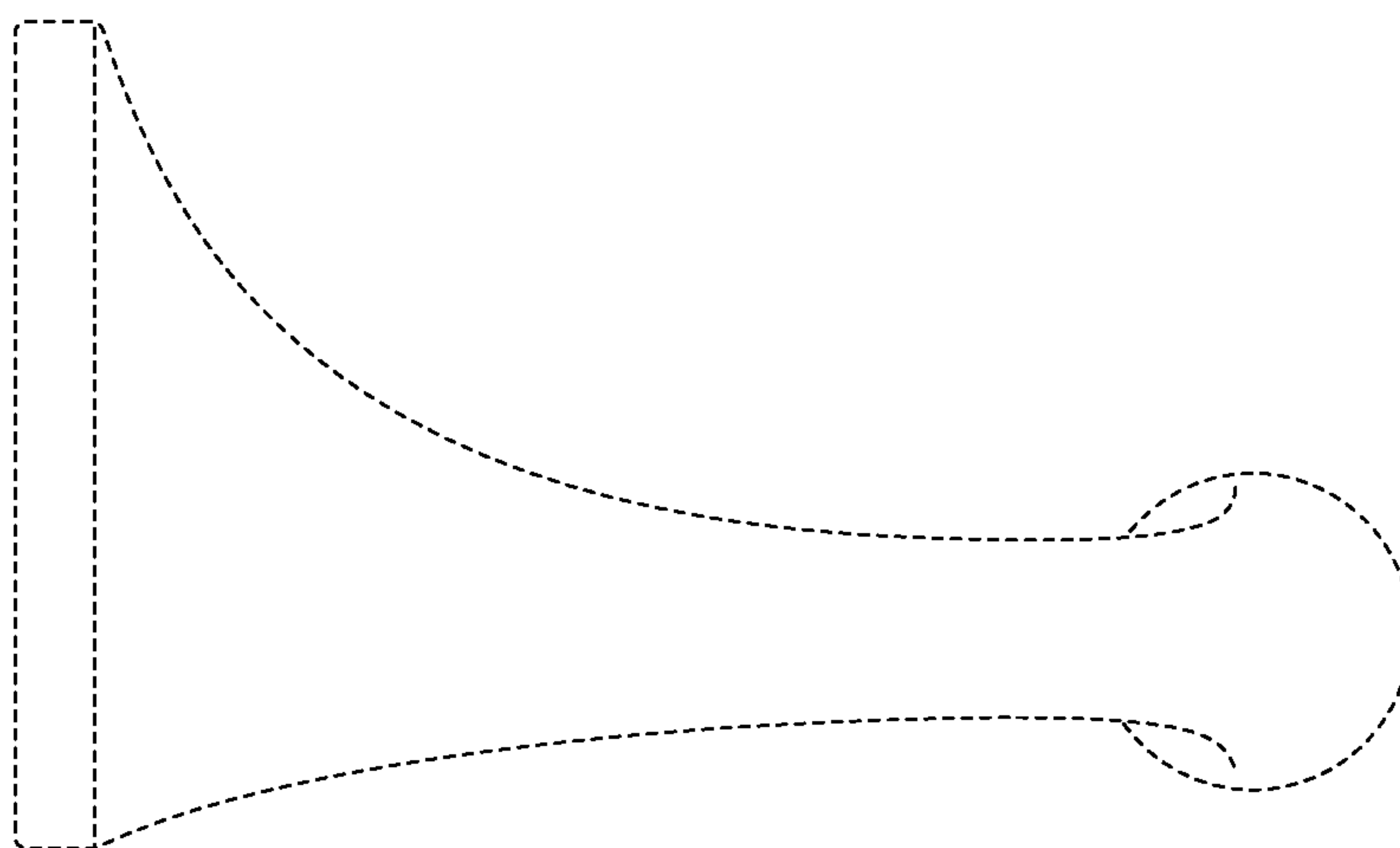


FIG. 12

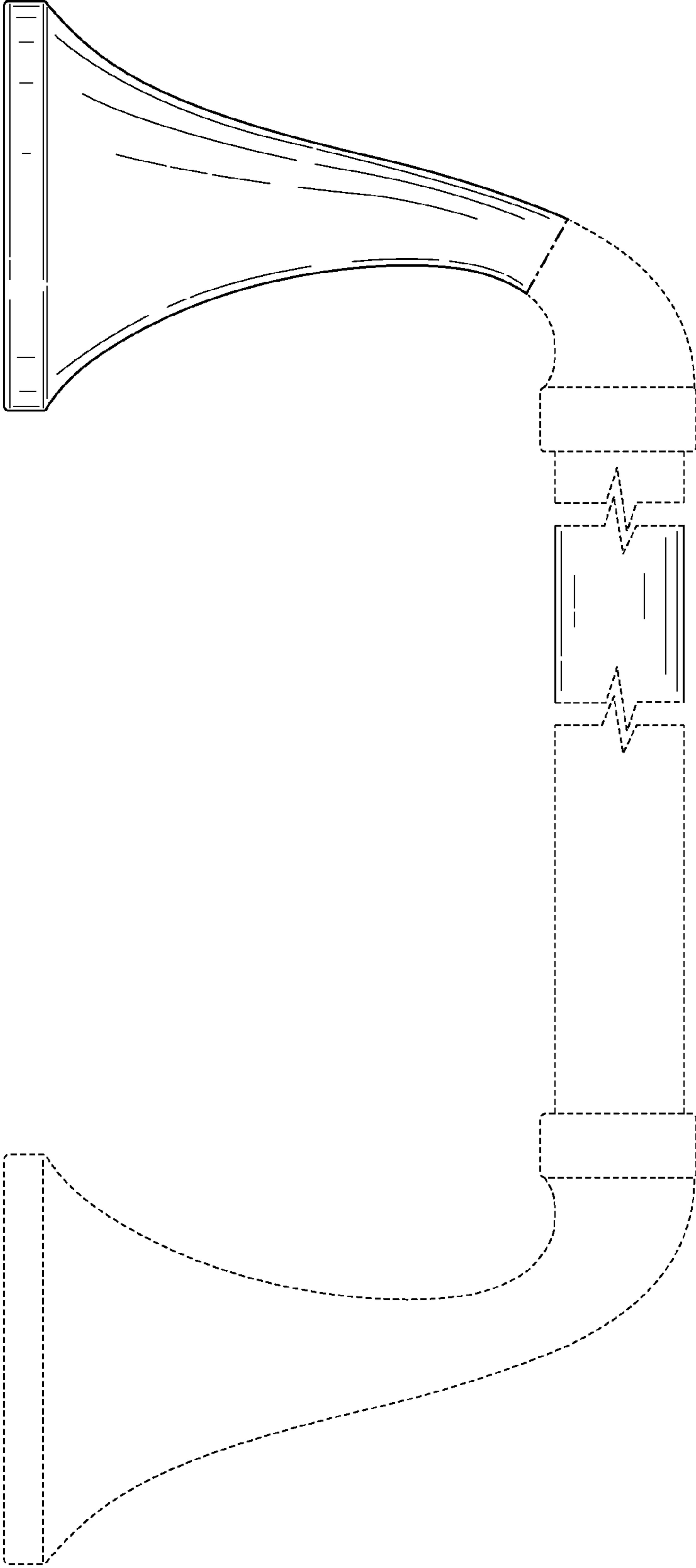


FIG. 13

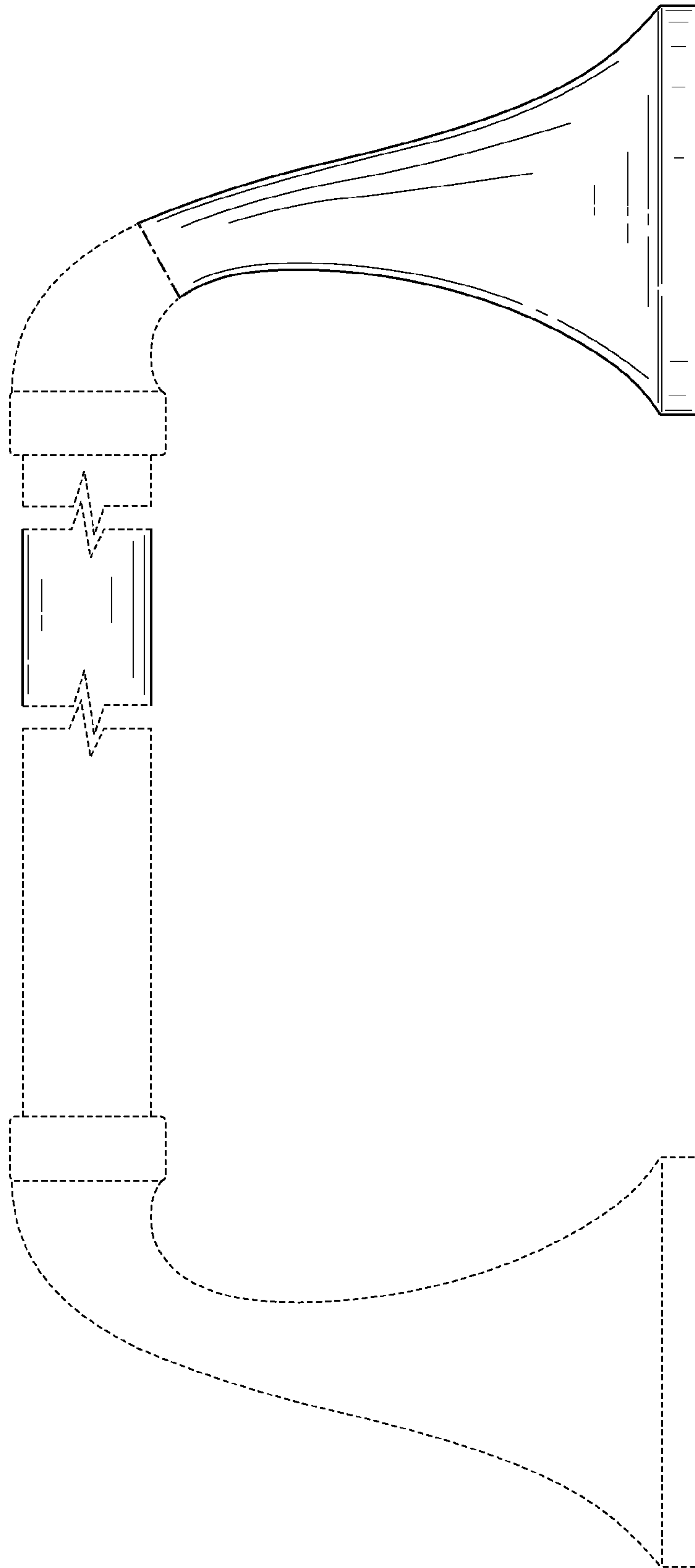


FIG. 14